



US00D584230S

(12) **United States Design Patent**
Yin et al.

(10) **Patent No.:** **US D584,230 S**
(45) **Date of Patent:** **** Jan. 6, 2009**

(54) **ELECTRICAL ADAPTER**
(75) Inventors: **Hao Mai Yin**, Kunsan (CN); **Wei Ya Cheng**, Kunsan (CN)
(73) Assignee: **Hon Hai Precision Ind. Co., Ltd.**, Taipei Hsien (TW)
(**) Term: **14 Years**

D363,064 S * 10/1995 Rogov D14/433
D396,706 S * 8/1998 Rao D14/433
D397,674 S * 9/1998 Rao D14/433
D406,115 S * 2/1999 Renk D14/356
D413,331 S * 8/1999 Martinson D14/240
D419,537 S * 1/2000 Rodriguez D14/385
D443,860 S * 6/2001 Ogasawara D13/146

* cited by examiner

Primary Examiner—Stella Reid
Assistant Examiner—Daniel Bui
(74) *Attorney, Agent, or Firm*—Wei Te Chung

(21) Appl. No.: **29/214,657**
(22) Filed: **Oct. 5, 2004**

(30) **Foreign Application Priority Data**
May 13, 2004 (CN) 2004300187231

(57) **CLAIM**

The ornamental design for an electrical adapter, as shown.

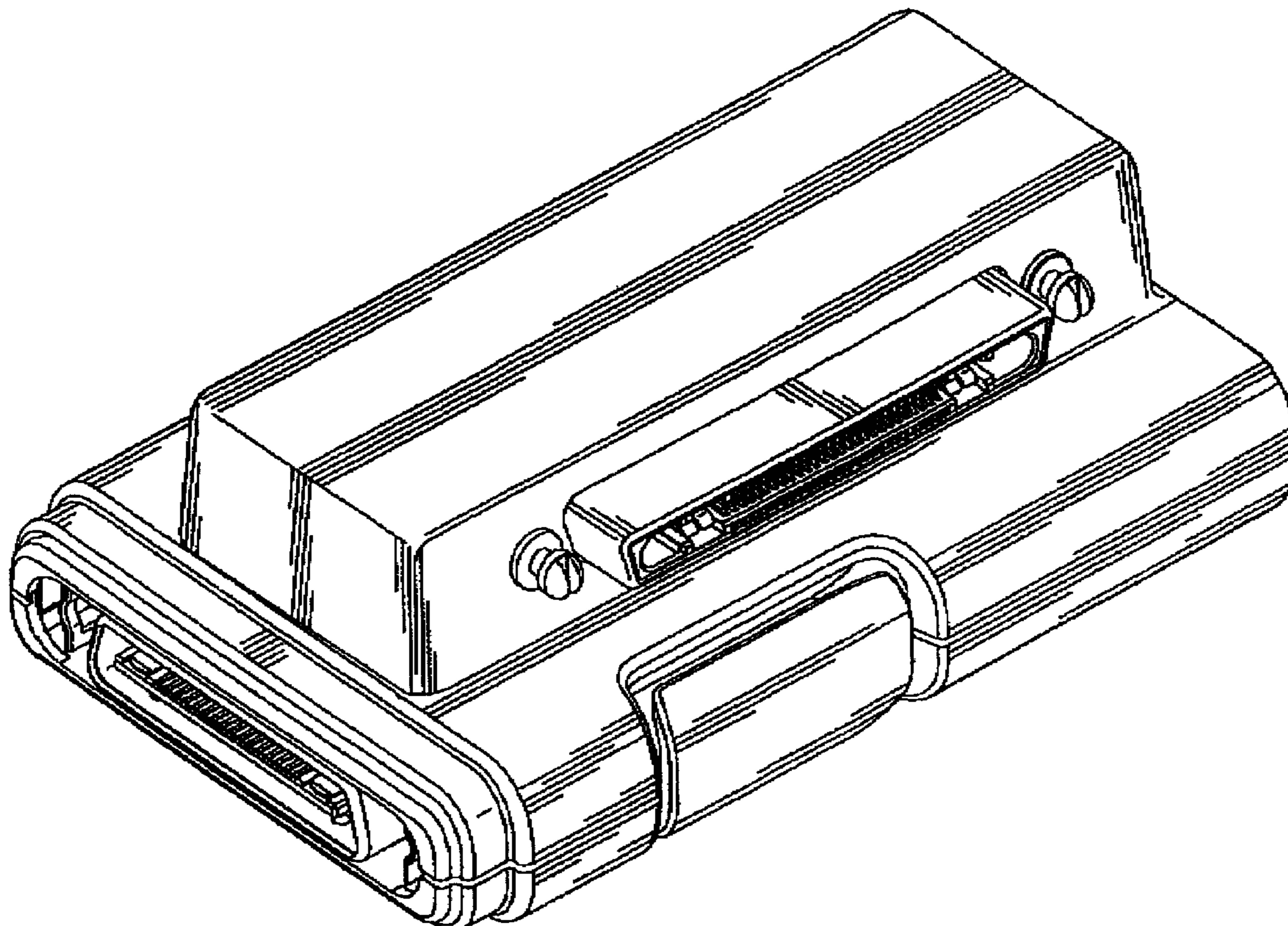
(51) **LOC (9) Cl.** **13-03**
(52) **U.S. Cl.** **D13/147**
(58) **Field of Classification Search** D13/133,
D13/146–147, 154, 184, 199; D14/107, 240,
D14/356; 361/681, 686, 725; 439/638
See application file for complete search history.

DESCRIPTION

FIG. 1 is a front, top and right side perspective view of an electrical adapter showing our new design; FIG. 2 is a front elevational view thereof; FIG. 3 is a rear elevational view thereof; FIG. 4 is a left side elevational view thereof; FIG. 5 is a right side elevational view thereof; FIG. 6 is a top plan view thereof; and, FIG. 7 is a bottom plan view thereof.

(56) **References Cited**
U.S. PATENT DOCUMENTS
5,117,378 A * 5/1992 Ho 361/686

1 Claim, 6 Drawing Sheets



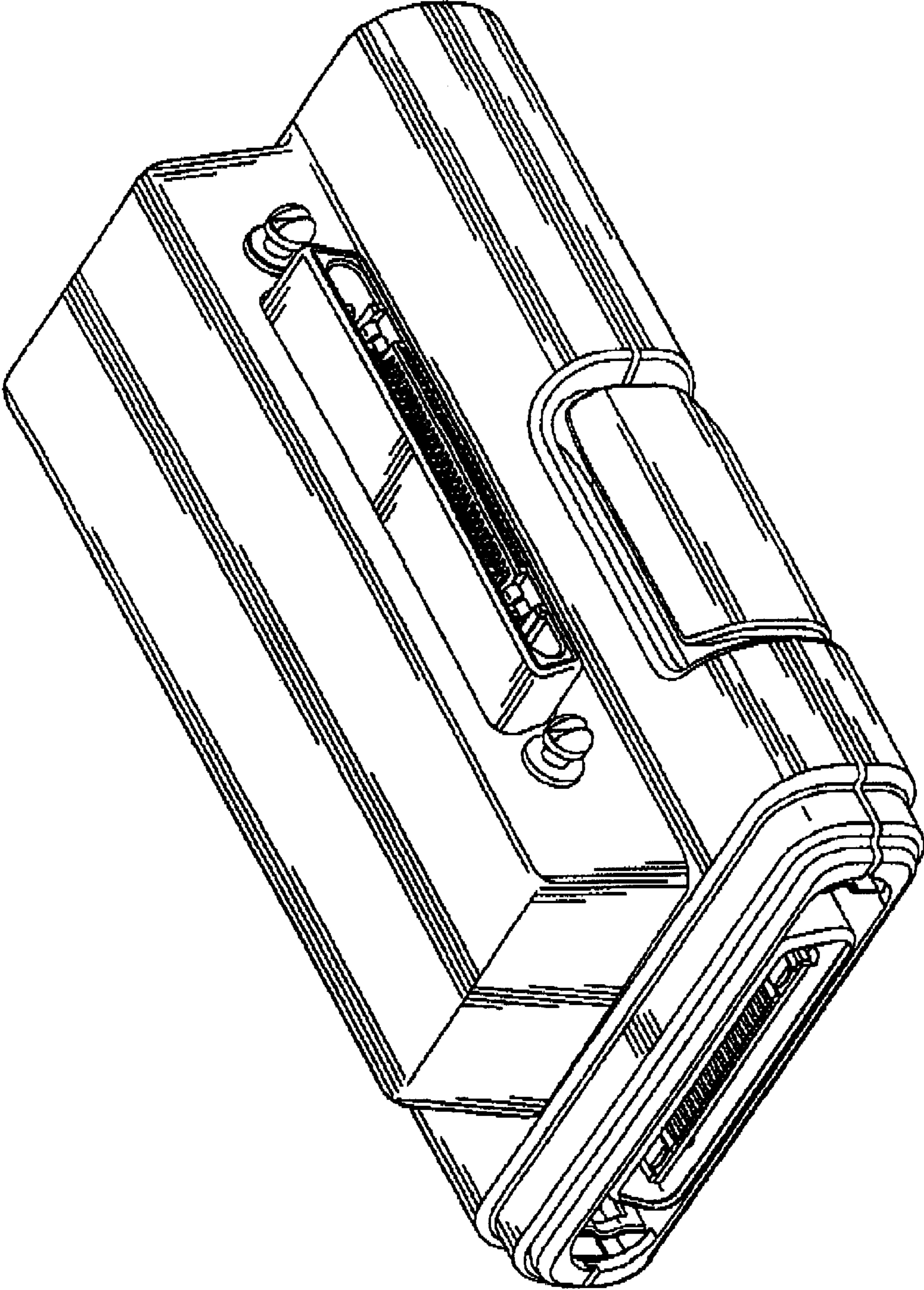


FIG. 1

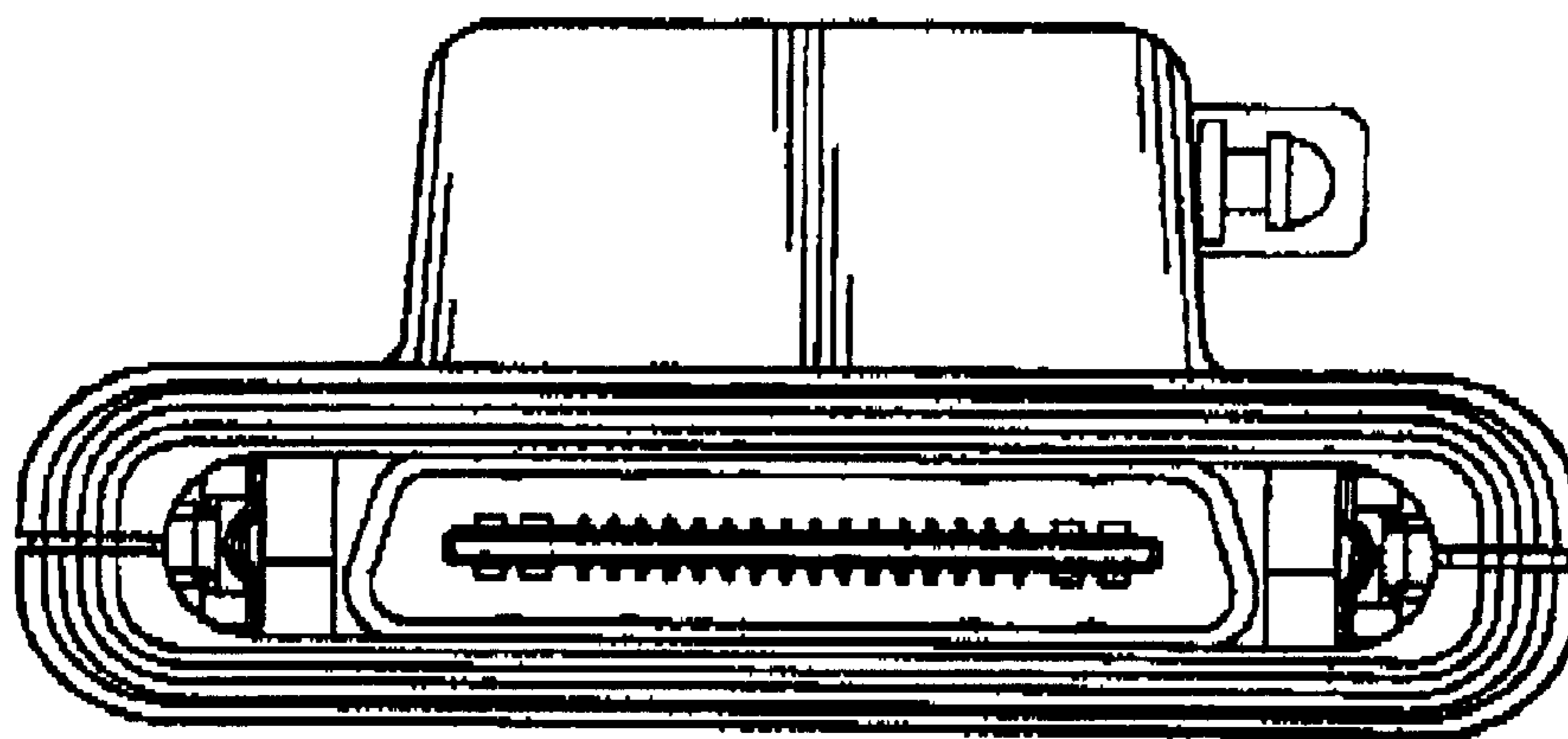


FIG. 2

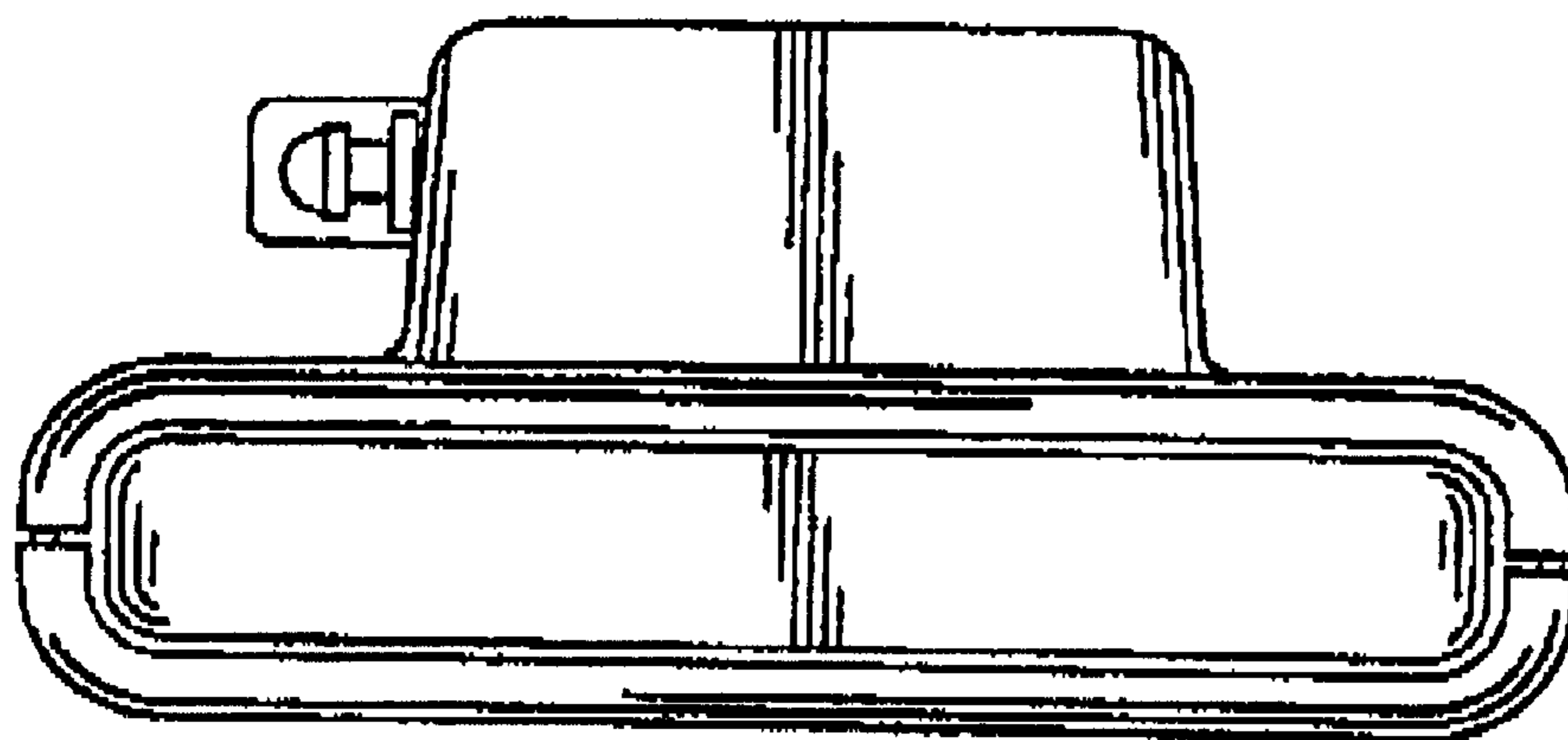


FIG. 3

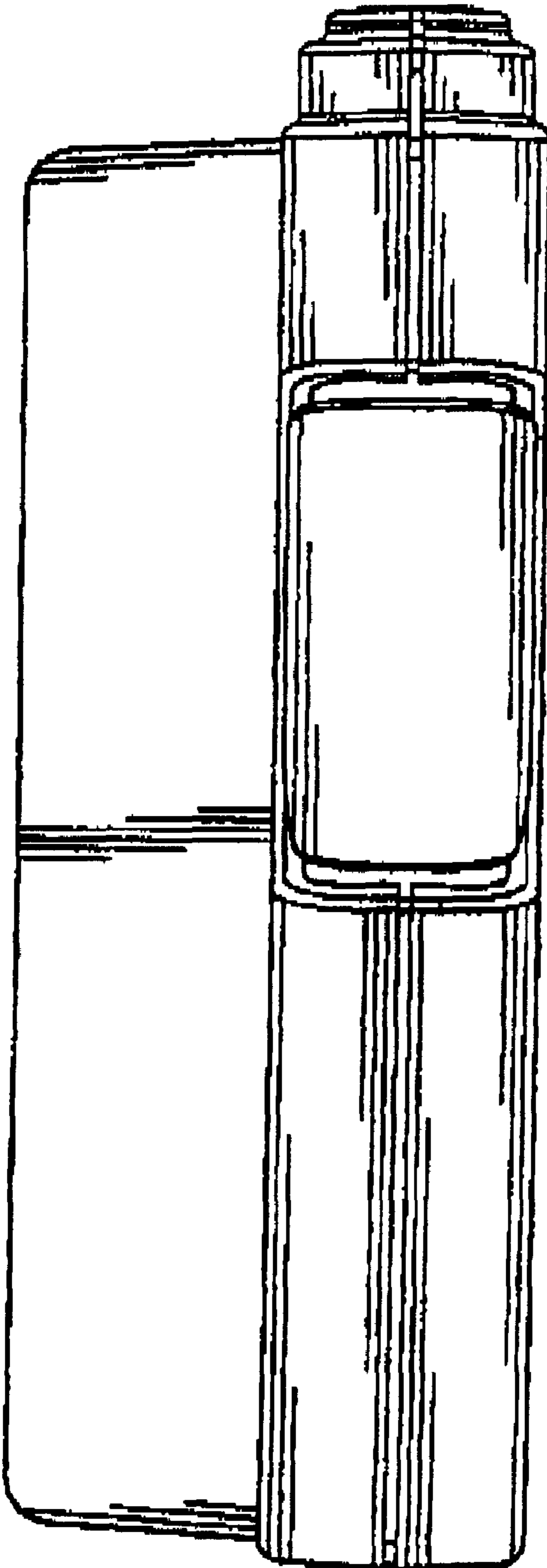


FIG. 4

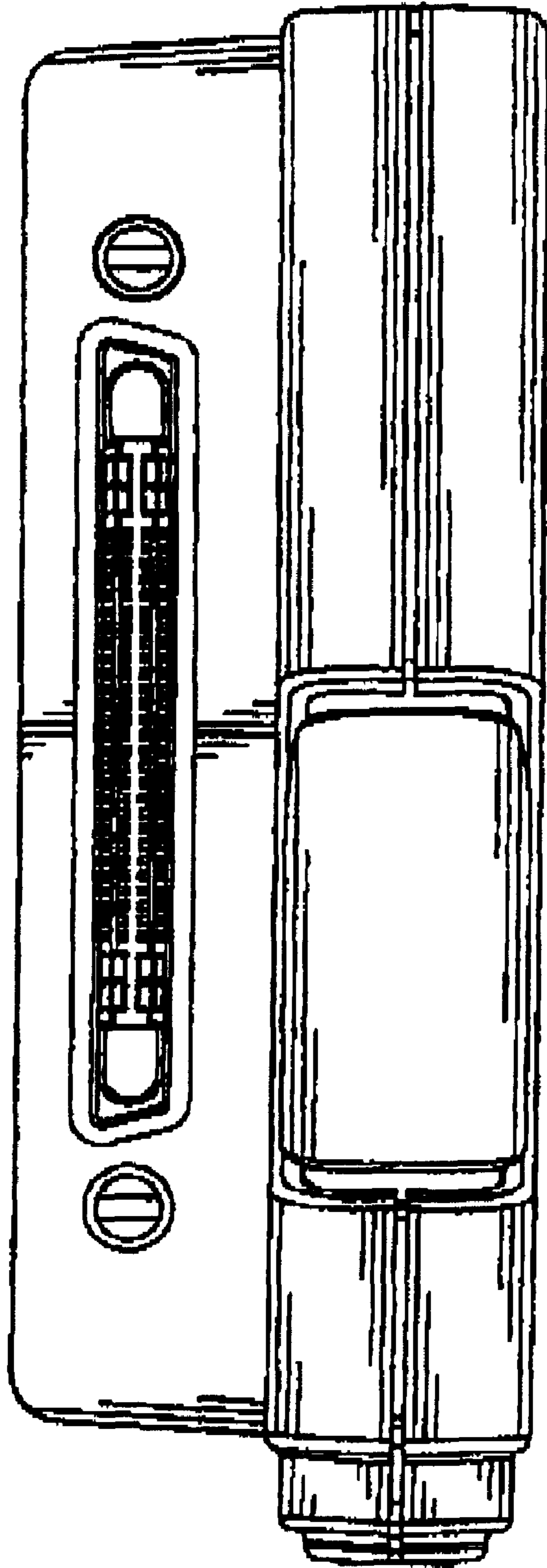


FIG. 5

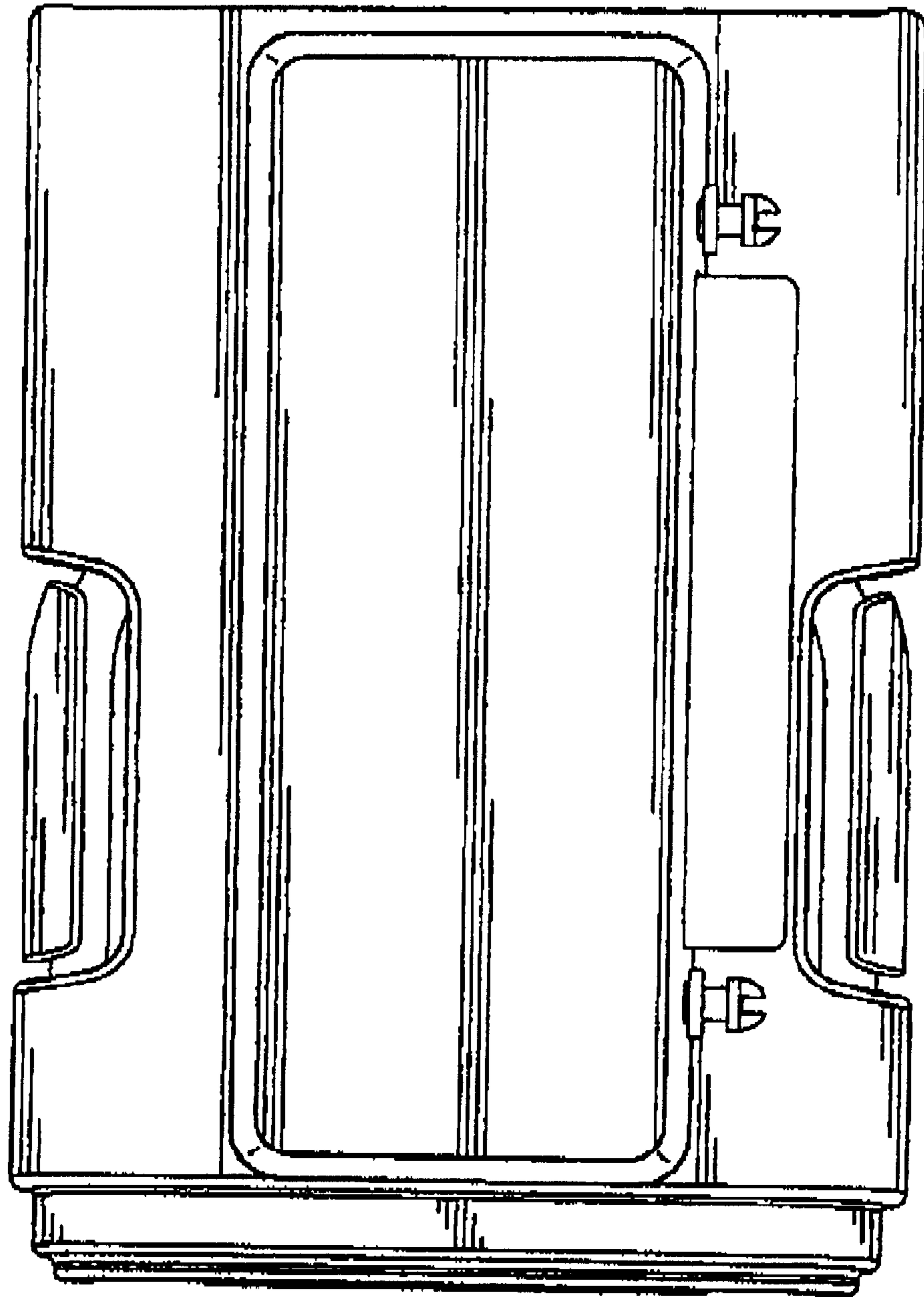


FIG. 6

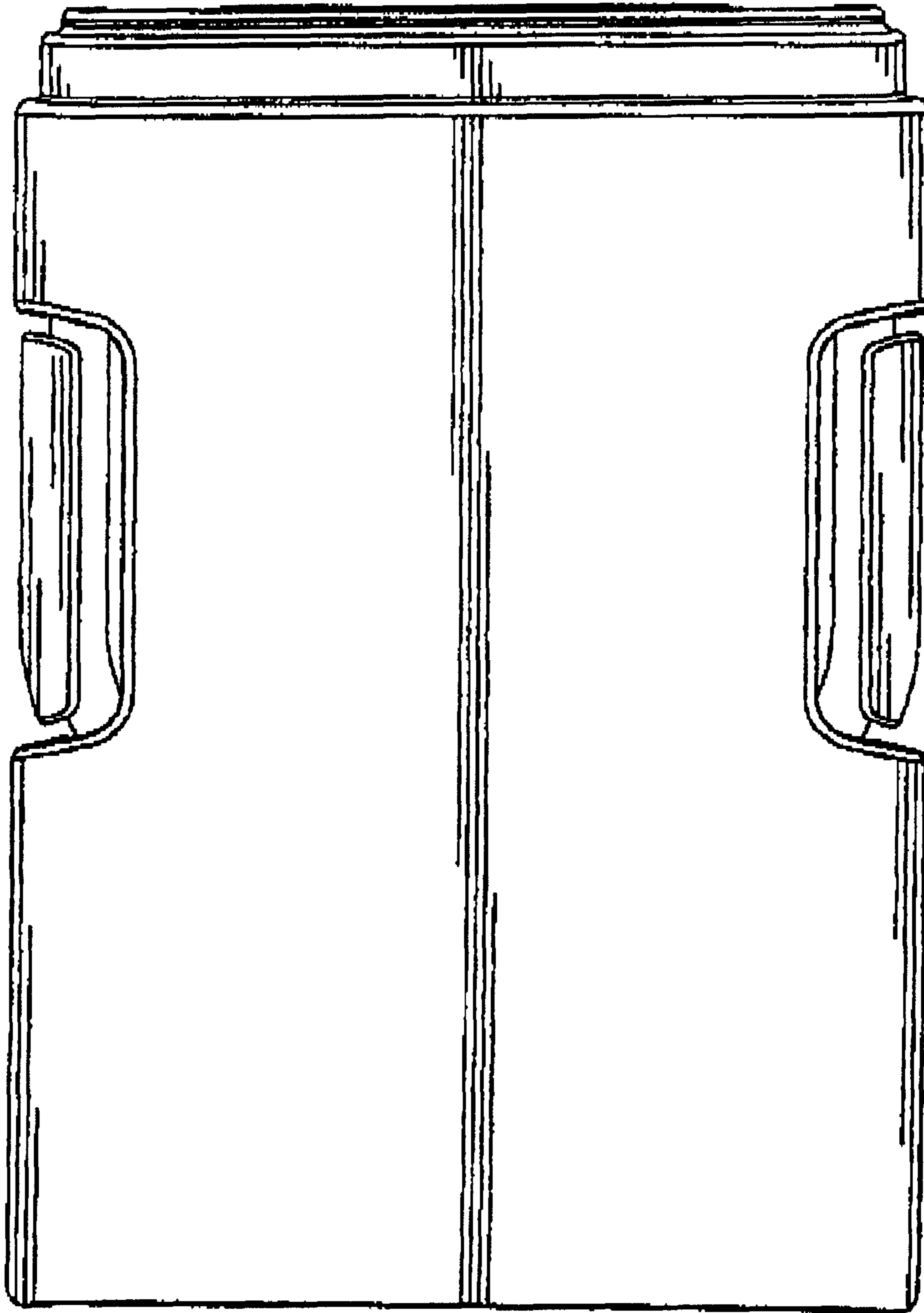


FIG. 7