



US00D584227S

(12) **United States Design Patent**
Strickland, Jr.

(10) **Patent No.:** **US D584,227 S**
(45) **Date of Patent:** **** Jan. 6, 2009**

(54) **ELECTRICAL CONNECTOR**

(75) Inventor: **Carl Craig Strickland, Jr.**, Kinston, NC
(US)

(73) Assignee: **Cooper Technologies Company**,
Houston, TX (US)

(**) Term: **14 Years**

(21) Appl. No.: **29/299,112**

(22) Filed: **Dec. 19, 2007**

(51) **LOC (9) Cl.** **13-03**

(52) **U.S. Cl.** **D13/133**

(58) **Field of Classification Search** D13/123,
D13/133, 146, 149, 151, 154, 184, 199; 439/86,
439/180, 278, 374, 378, 380, 488-491, 527,
439/578, 585, 752, 825-828, 834, 851, 856
See application file for complete search history.

(56) **References Cited**

U.S. PATENT DOCUMENTS

4,159,667	A *	7/1979	Nordstrom	411/7
4,408,821	A *	10/1983	Forney, Jr.	439/387
5,499,934	A *	3/1996	Jacobsen et al.	439/585
6,080,933	A *	6/2000	Gretz	174/668
D437,826	S *	2/2001	Montena	D13/133
D440,939	S *	4/2001	Montena	D13/133
D462,058	S *	8/2002	Montena	D13/151
6,733,338	B1 *	5/2004	Hsia	439/578
D505,391	S *	5/2005	Rodrigues et al.	D13/151
D511,497	S *	11/2005	Murphy et al.	D13/151
D511,498	S *	11/2005	Holliday	D13/151
D512,024	S *	11/2005	Murphy et al.	D13/151
D513,406	S *	1/2006	Rodrigues et al.	D13/133
D513,736	S *	1/2006	Fox	D13/151
D519,076	S *	4/2006	Fox	D13/133
D519,451	S *	4/2006	Fox	D13/133
D519,452	S *	4/2006	Rodrigues et al.	D13/133
D519,453	S *	4/2006	Rodrigues et al.	D13/133
D521,454	S *	5/2006	Murphy et al.	D13/151
D521,930	S *	5/2006	Fox	D13/133
7,044,769	B2 *	5/2006	Zhao et al.	439/489

7,063,565	B2 *	6/2006	Ward	439/578
D529,865	S *	10/2006	LaPere	D13/133
D545,763	S	7/2007	Tufano, Jr.	
D550,624	S *	9/2007	McCann	D13/133
7,288,002	B2 *	10/2007	Rodrigues et al.	439/578
D561,691	S *	2/2008	Holliday	D13/133

(Continued)

OTHER PUBLICATIONS

Standard E1019 Series, Welding Products Catalog, available at least as early as Dec. 31, 1996, p. 15, Cooper Crouse-Hinds.

Primary Examiner—Daniel D Bui

Assistant Examiner—Thomas J Johannes

(74) *Attorney, Agent, or Firm*—Saidman DesignLaw Group

(57) **CLAIM**

The ornamental design for an electrical connector, as shown and described.

DESCRIPTION

FIG. 1 is a perspective view of an electrical connector showing my new design;

FIG. 2 is a front view thereof, the rear view being a mirror image;

FIG. 3 is a top view thereof, the bottom view being a mirror image;

FIG. 4 is a left end view thereof;

FIG. 5 is a right end view thereof;

FIG. 6 is perspective view thereof, showing an alternate usage environment;

FIG. 7 is a front view thereof, the rear view being a mirror image;

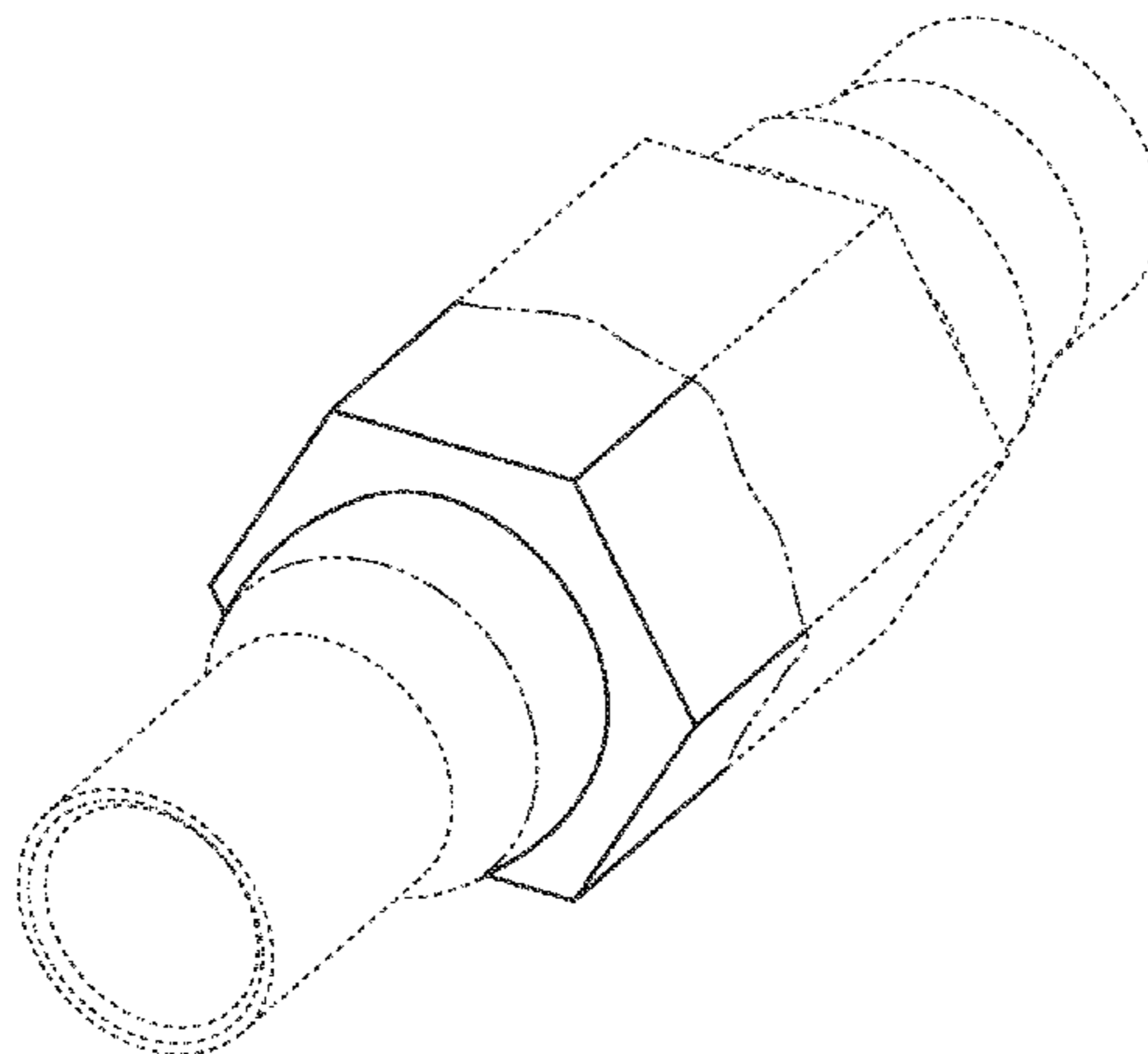
FIG. 8 is a top view thereof, the bottom view being a mirror image;

FIG. 9 is a left end view thereof; and,

FIG. 10 is a right end view thereof.

The dotted broken lines are environmental and form no part of the claimed design. The dash-dot-dot lines indicate boundaries of the claimed design, and form no part thereof.

1 Claim, 6 Drawing Sheets



US D584,227 S

Page 2

U.S. PATENT DOCUMENTS

2002/0013088	A1 *	1/2002	Rodrigues et al.	439/578	2005/0112934	A1 *	5/2005	Zhao et al.	439/489
2003/0036298	A1 *	2/2003	Hoffman et al.	439/152	2005/0136735	A1 *	6/2005	Rodrigues et al.	439/578
2003/0060082	A1 *	3/2003	Korte et al.	439/578	2006/0276079	A1 *	12/2006	Chen	439/578
2003/0162439	A1 *	8/2003	Rodrigues et al.	439/578	2007/0042642	A1 *	2/2007	Montena et al.	439/578
2003/0224657	A1 *	12/2003	Malloy	439/578	2007/0087628	A1 *	4/2007	Rodrigues et al.	439/585
2004/0110416	A1 *	6/2004	Montena et al.	439/578	2007/0123100	A1 *	5/2007	Rodrigues et al.	439/578
2004/0147164	A1 *	7/2004	Li	439/578	2007/0243759	A1 *	10/2007	Rodrigues et al.	439/578
2004/0180575	A1 *	9/2004	Derenthal	439/578	2008/0064259	A1 *	3/2008	Amidon	439/578
2005/0079762	A1 *	4/2005	Hsia	439/578					

* cited by examiner

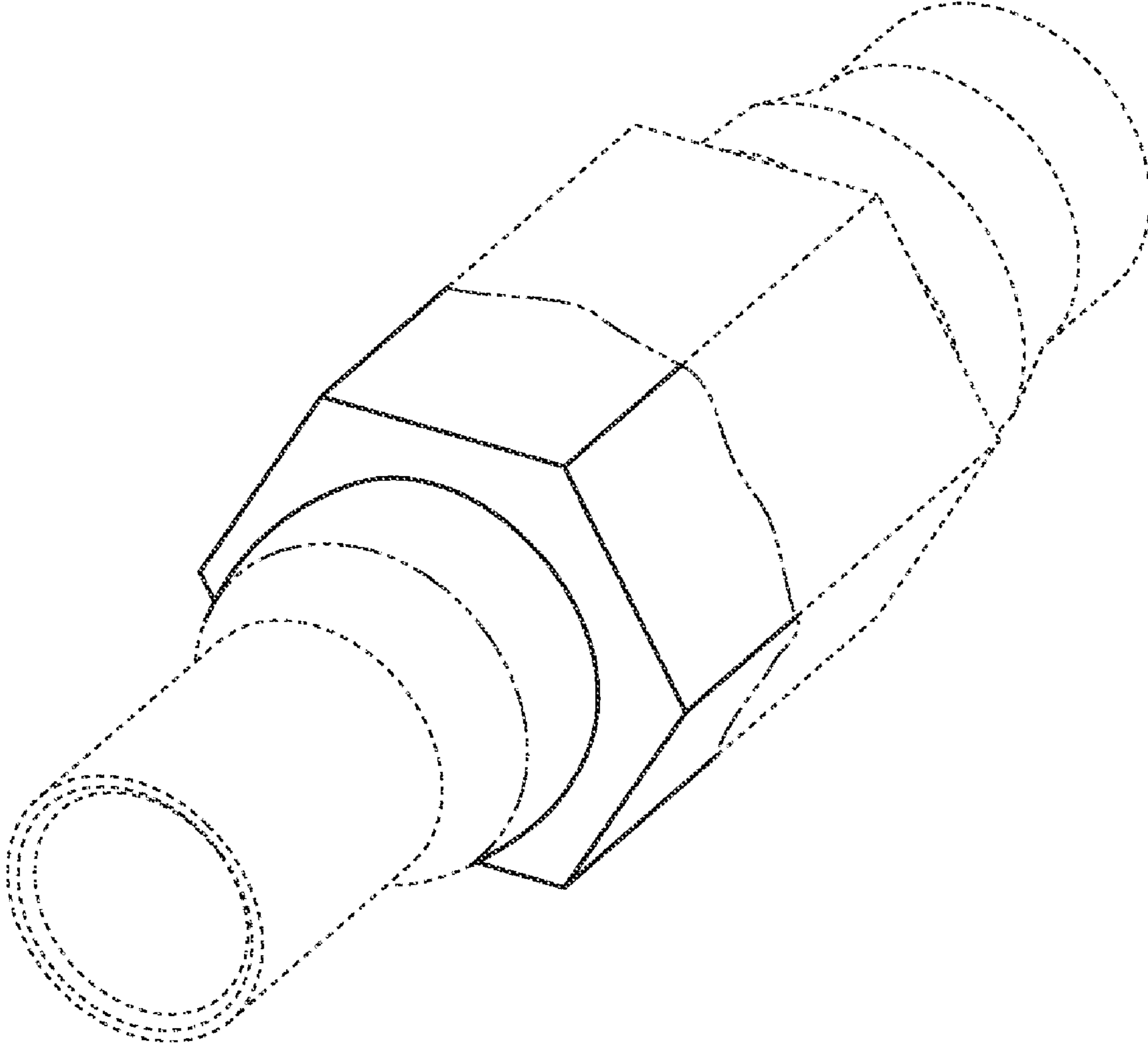


Fig. 1

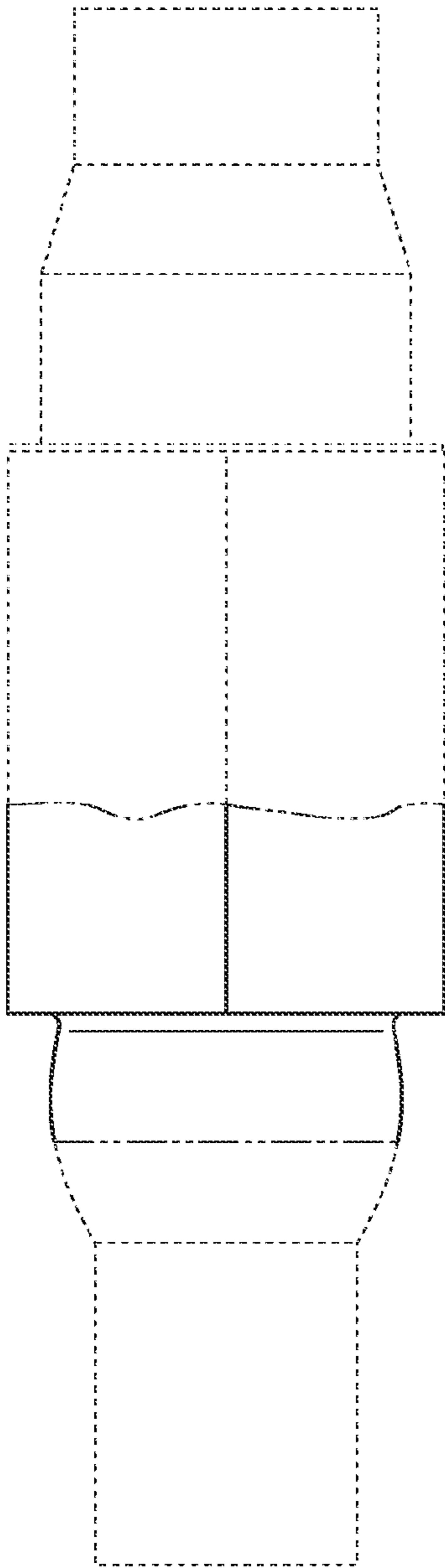


Fig. 2

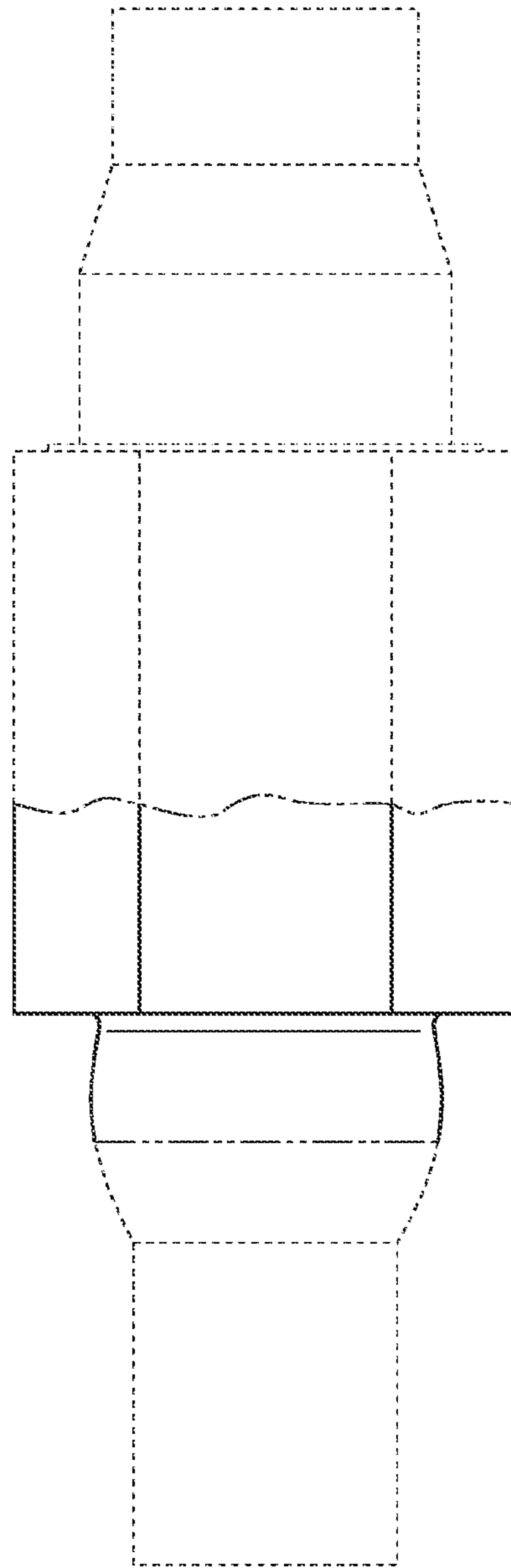


Fig. 3

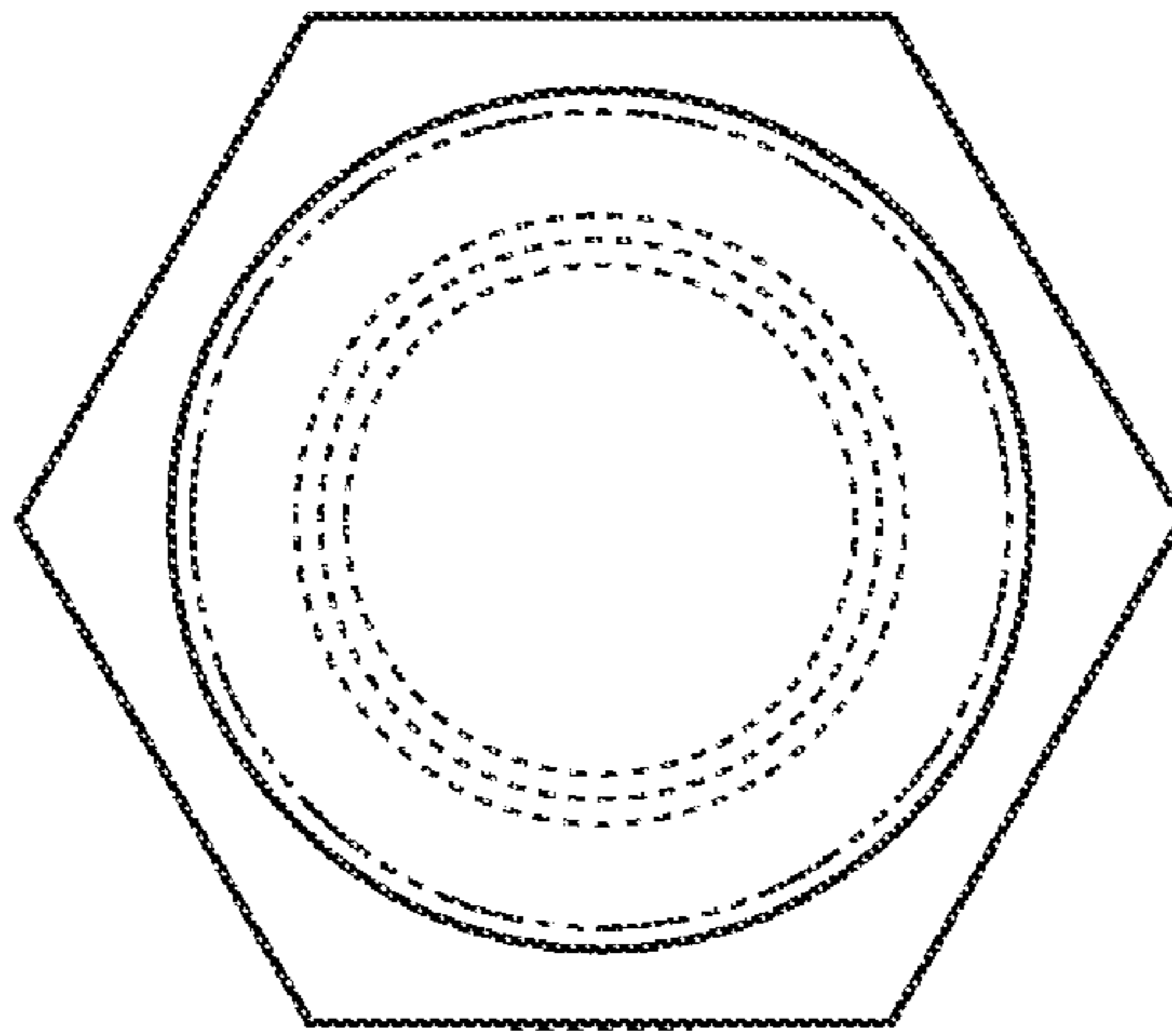


Fig. 4

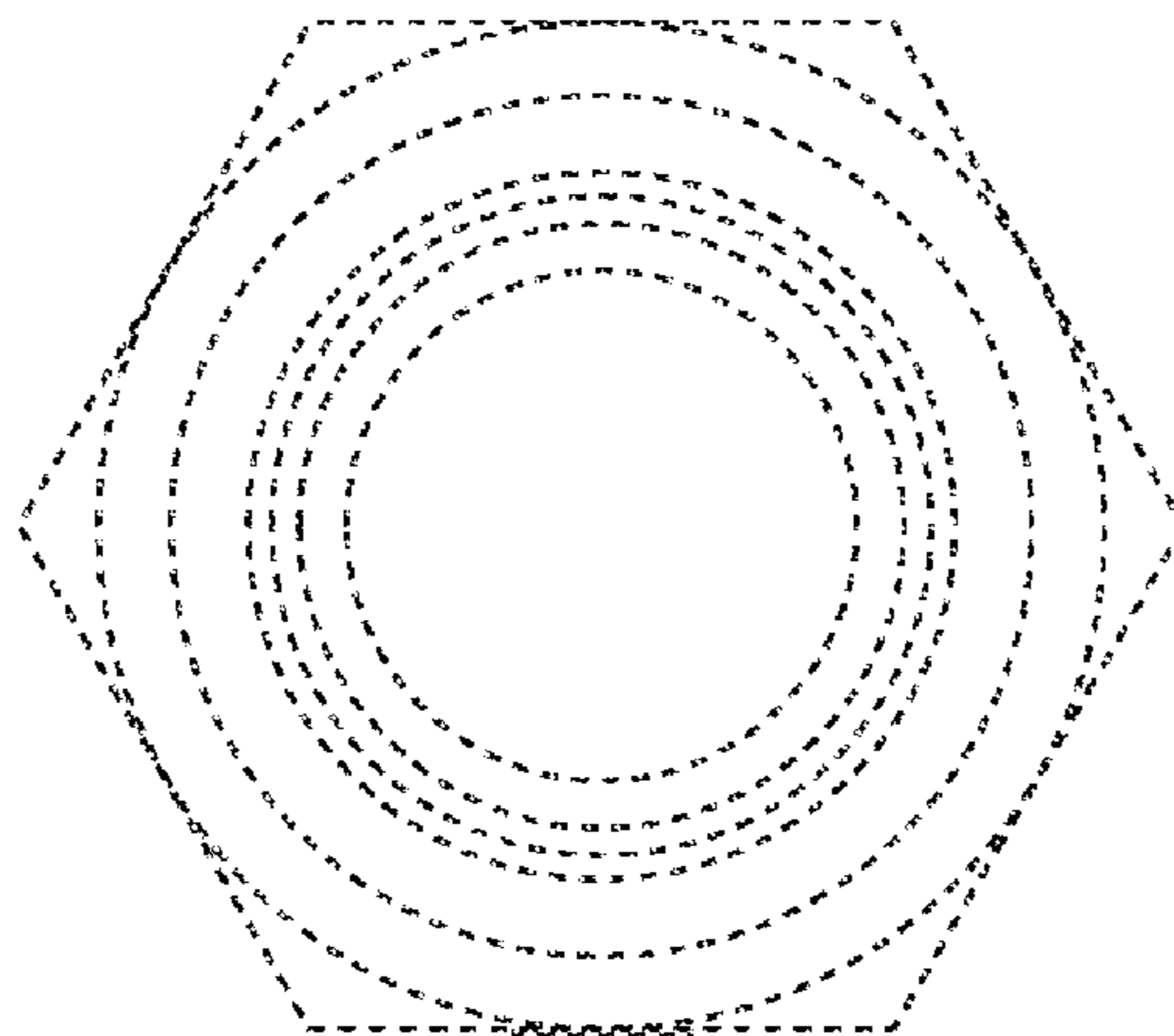


Fig. 5

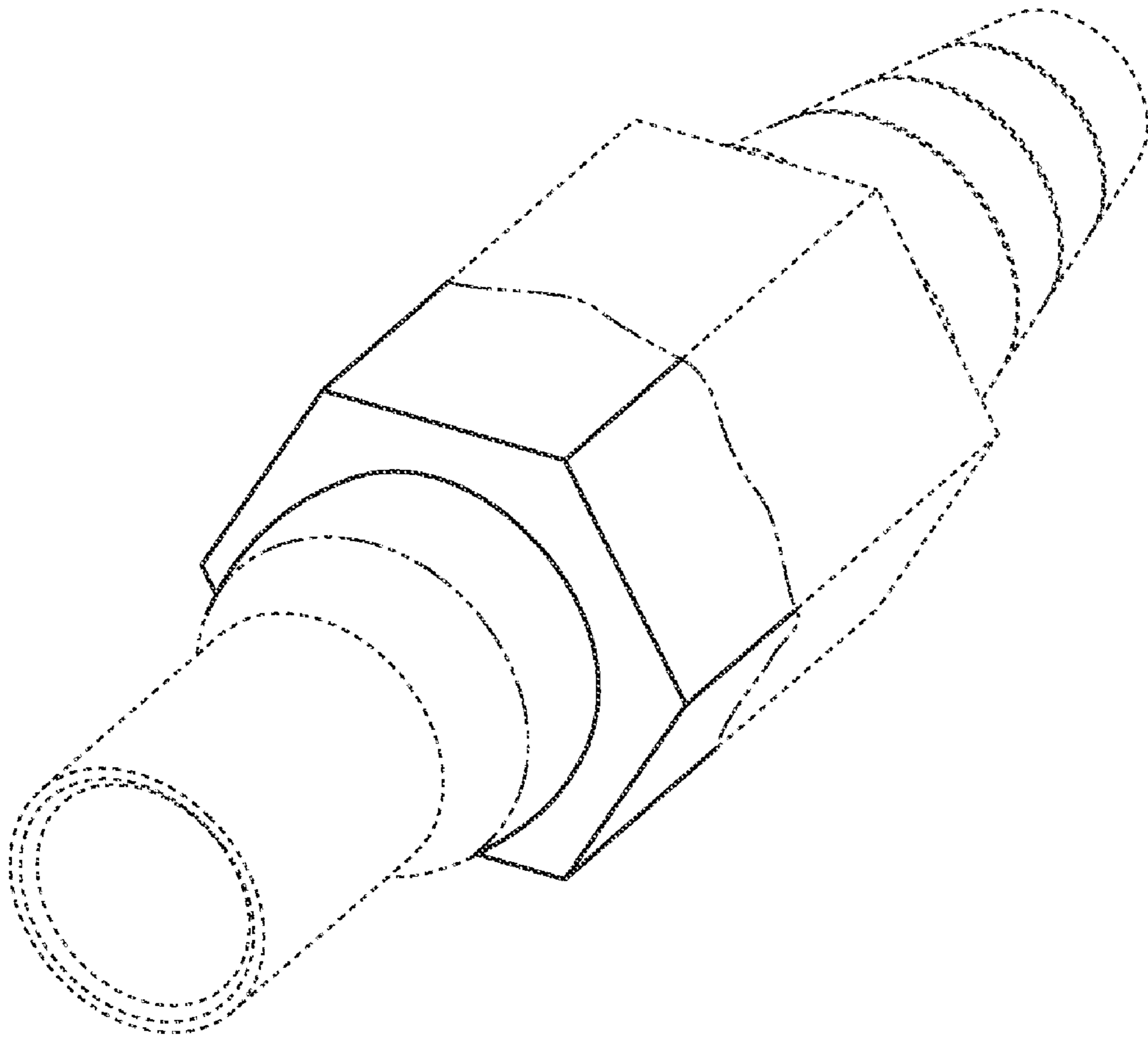


Fig. 6

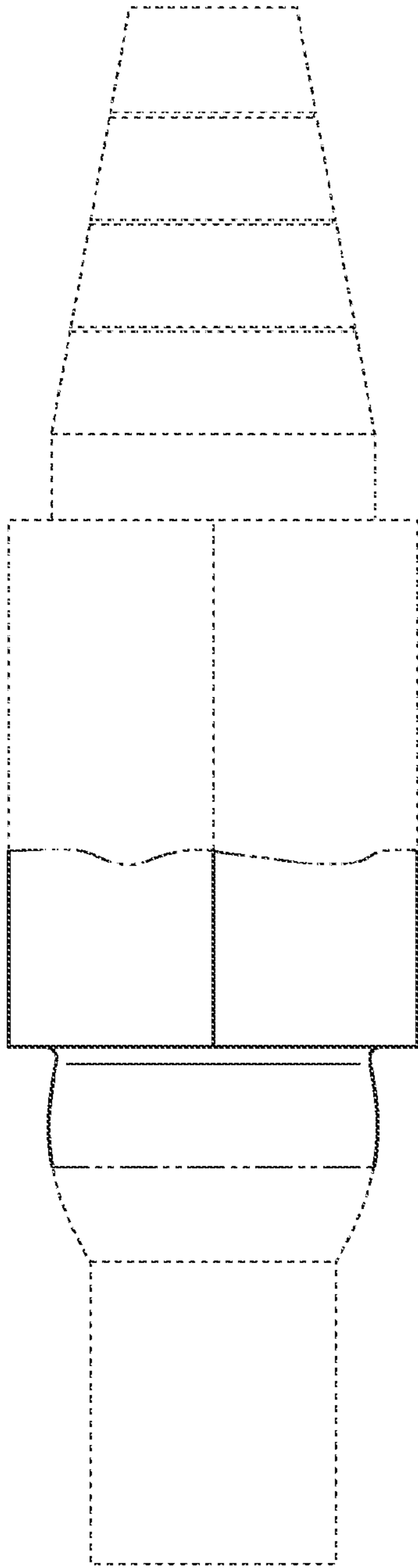


Fig. 7

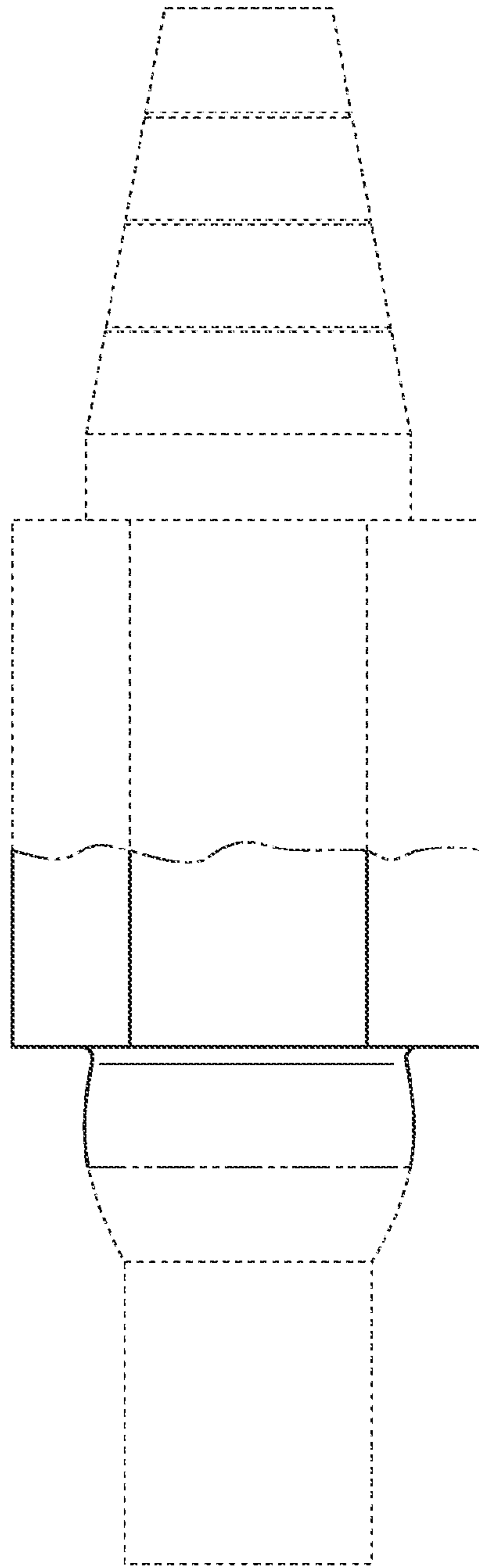


Fig. 8

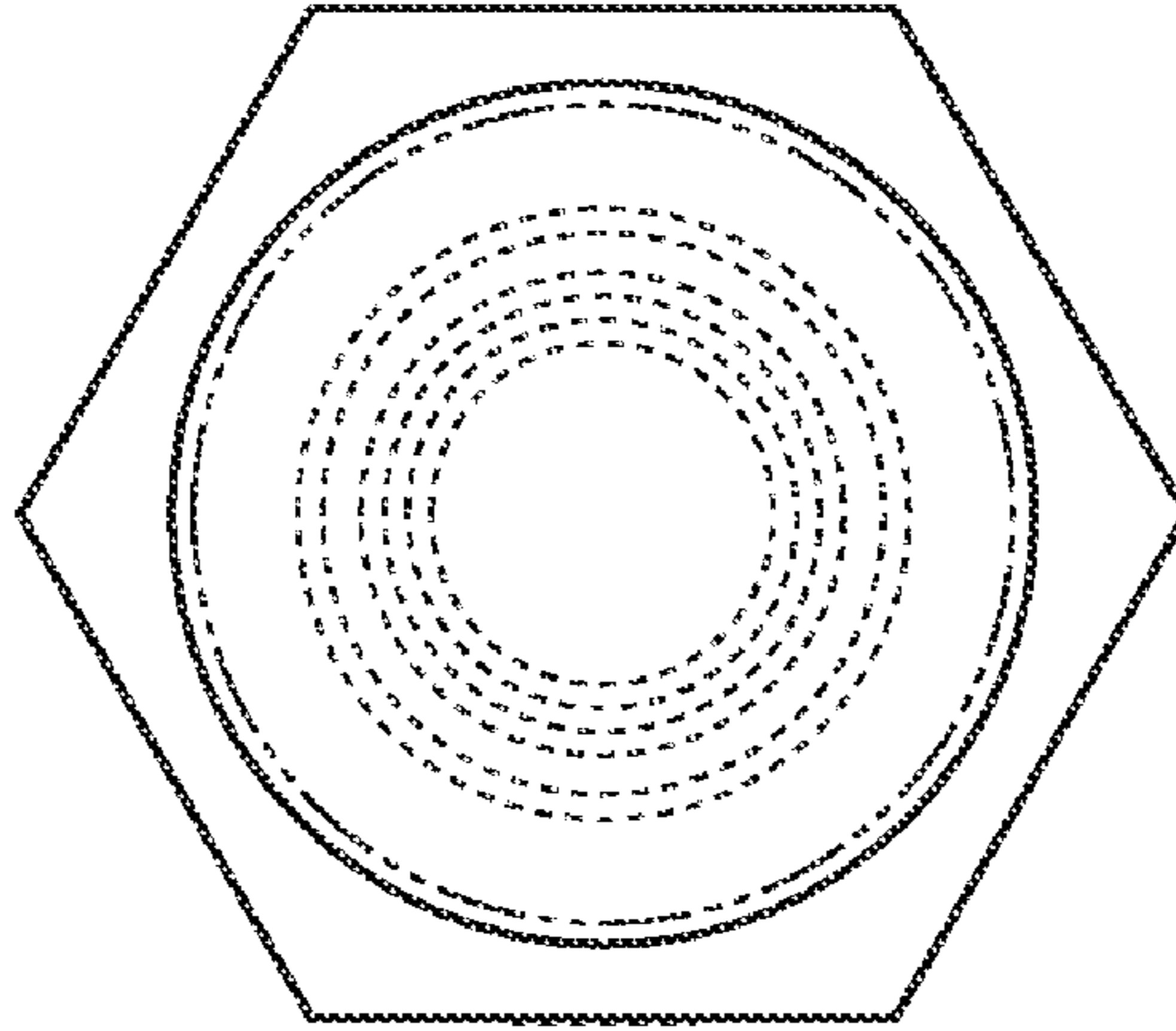


Fig. 9

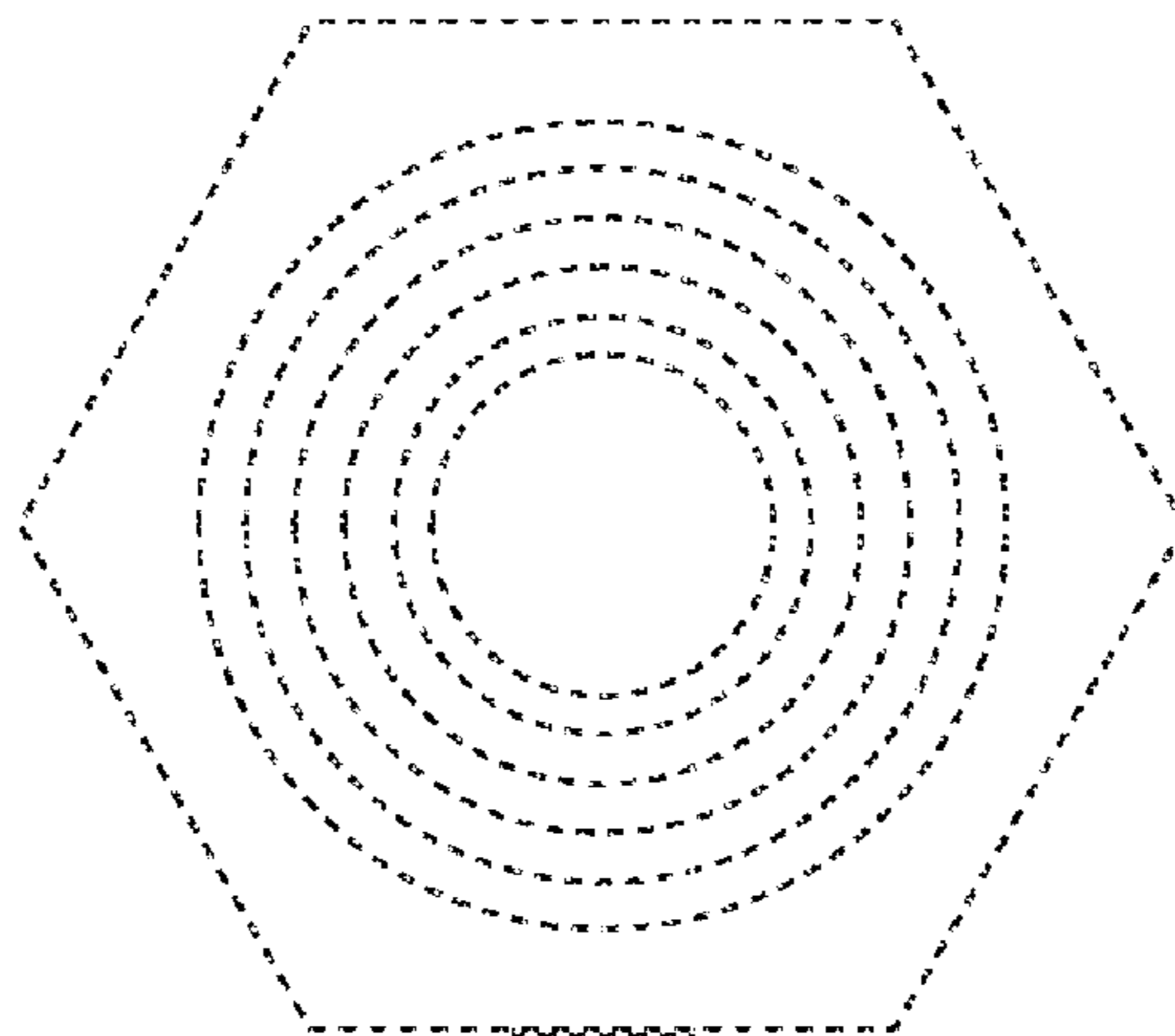


Fig. 10