



US00D584226S

(12) **United States Design Patent**
So

(10) **Patent No.:** **US D584,226 S**

(45) **Date of Patent:** **** Jan. 6, 2009**

(54) **CONNECTOR TERMINAL**

(75) Inventor: **Shun Tong So**, Kwun Tong (HK)

(73) Assignee: **Morning Star Industrial Company**,
Kwun Tong (HK)

(**) Term: **14 Years**

(21) Appl. No.: **29/258,237**

(22) Filed: **Apr. 19, 2006**

(51) **LOC (9) Cl.** **13-03**

(52) **U.S. Cl.** **D13/133**

(58) **Field of Classification Search** D13/133,
D13/146, 147, 154, 184, 199; D14/140,
D14/217, 240, 256, 299, 356; 439/344, 538,
439/535-536, 540.1, 571, 573, 638, 650,
439/676

See application file for complete search history.

(56) **References Cited**

U.S. PATENT DOCUMENTS

| | | | | |
|---------------|---------|------------------|-------|---------|
| D300,424 S * | 3/1989 | Matsuzaki et al. | | D13/147 |
| D313,970 S * | 1/1991 | Reeves | | D13/147 |
| D315,545 S * | 3/1991 | Akaba et al. | | D13/147 |
| 5,178,554 A * | 1/1993 | Siemon et al. | | 439/188 |
| D399,827 S * | 10/1998 | Gaffney | | D13/147 |
| D461,453 S * | 8/2002 | Chen | | D13/147 |

| | | | | |
|-------------------|---------|-----------------|-------|---------|
| 6,478,621 B2 * | 11/2002 | Ma et al. | | 439/607 |
| D481,010 S * | 10/2003 | Yu | | D13/147 |
| 2006/0105635 A1 * | 5/2006 | Blichasz et al. | | 439/676 |

* cited by examiner

Primary Examiner—Daniel D Bui

(74) *Attorney, Agent, or Firm*—Gottlieb, Rackman & Reisman

(57) **CLAIM**

I claim the ornamental design for a connector terminal, as shown and described.

DESCRIPTION

FIG. 1 is a front elevational view of a connector terminal showing my design;

FIG. 2 is a rear elevational view thereof;

FIG. 3 is a left side elevational view thereof;

FIG. 4 is a right side elevational view thereof;

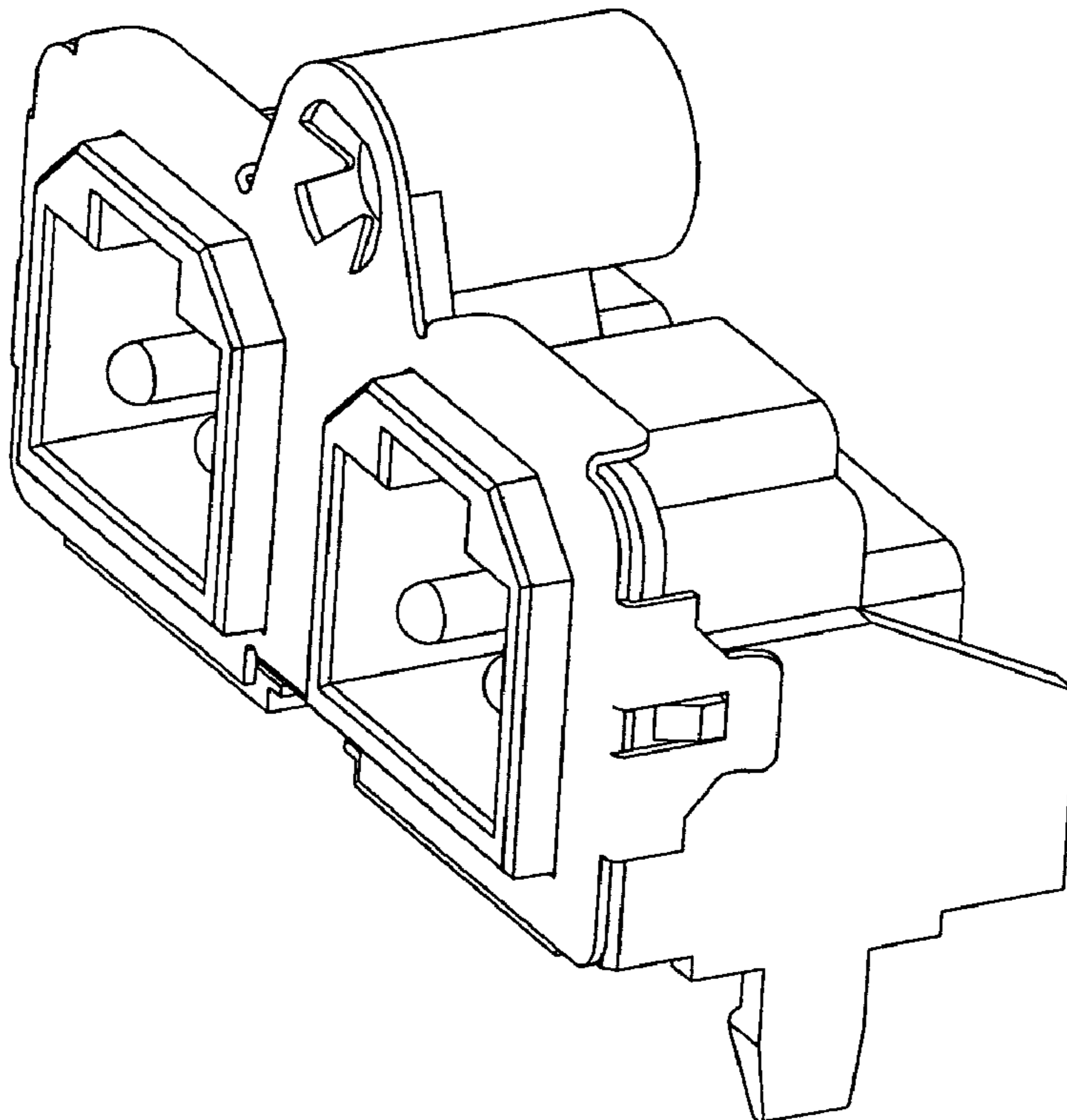
FIG. 5 is a top plan view thereof;

FIG. 6 is a bottom plan view thereof; and,

FIG. 7 is a perspective view thereof.

The broken line showing of the environment in FIG. 2 is for illustrative purpose only and forms no part of the claimed design.

1 Claim, 7 Drawing Sheets



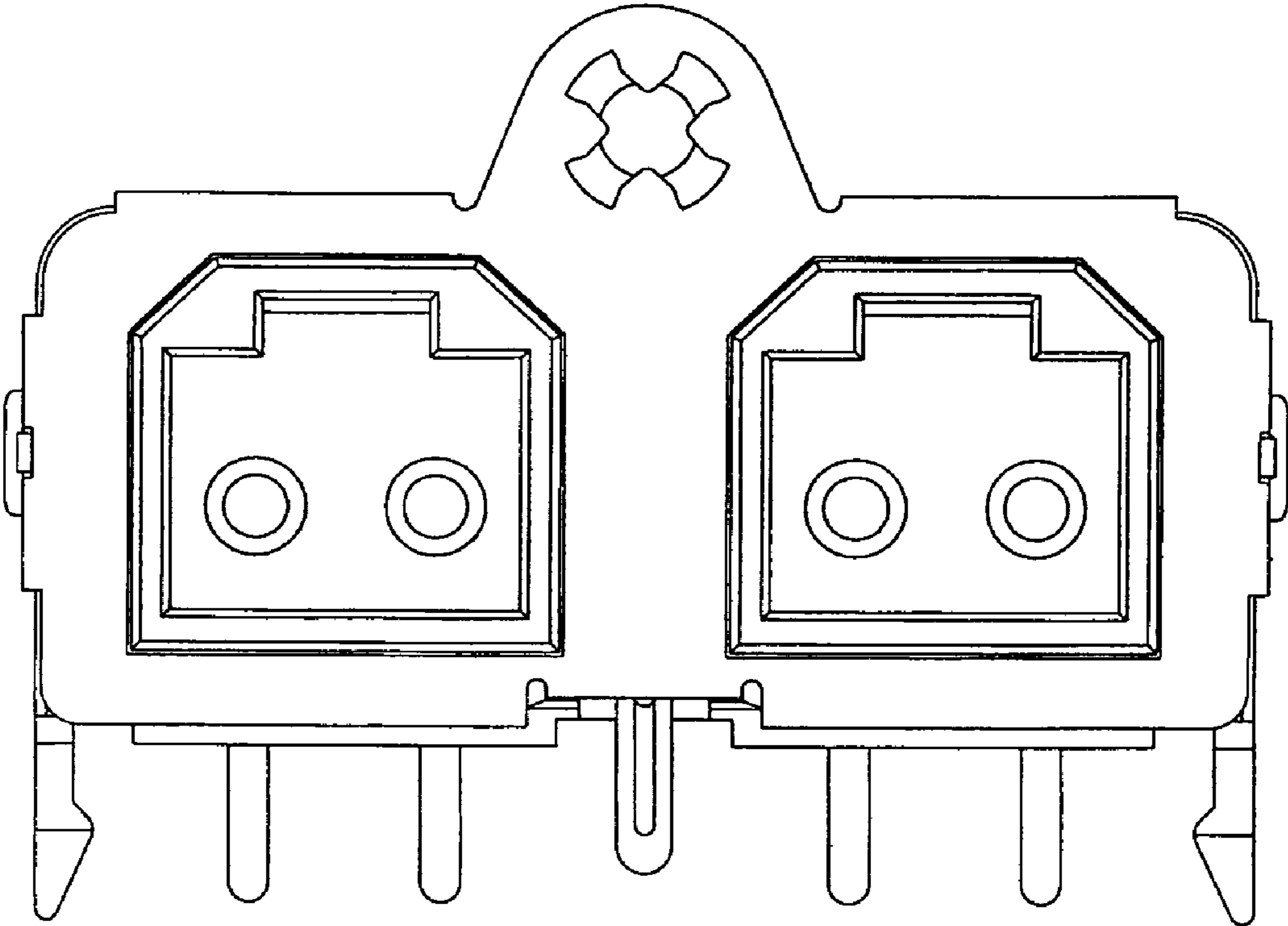


FIG. 1

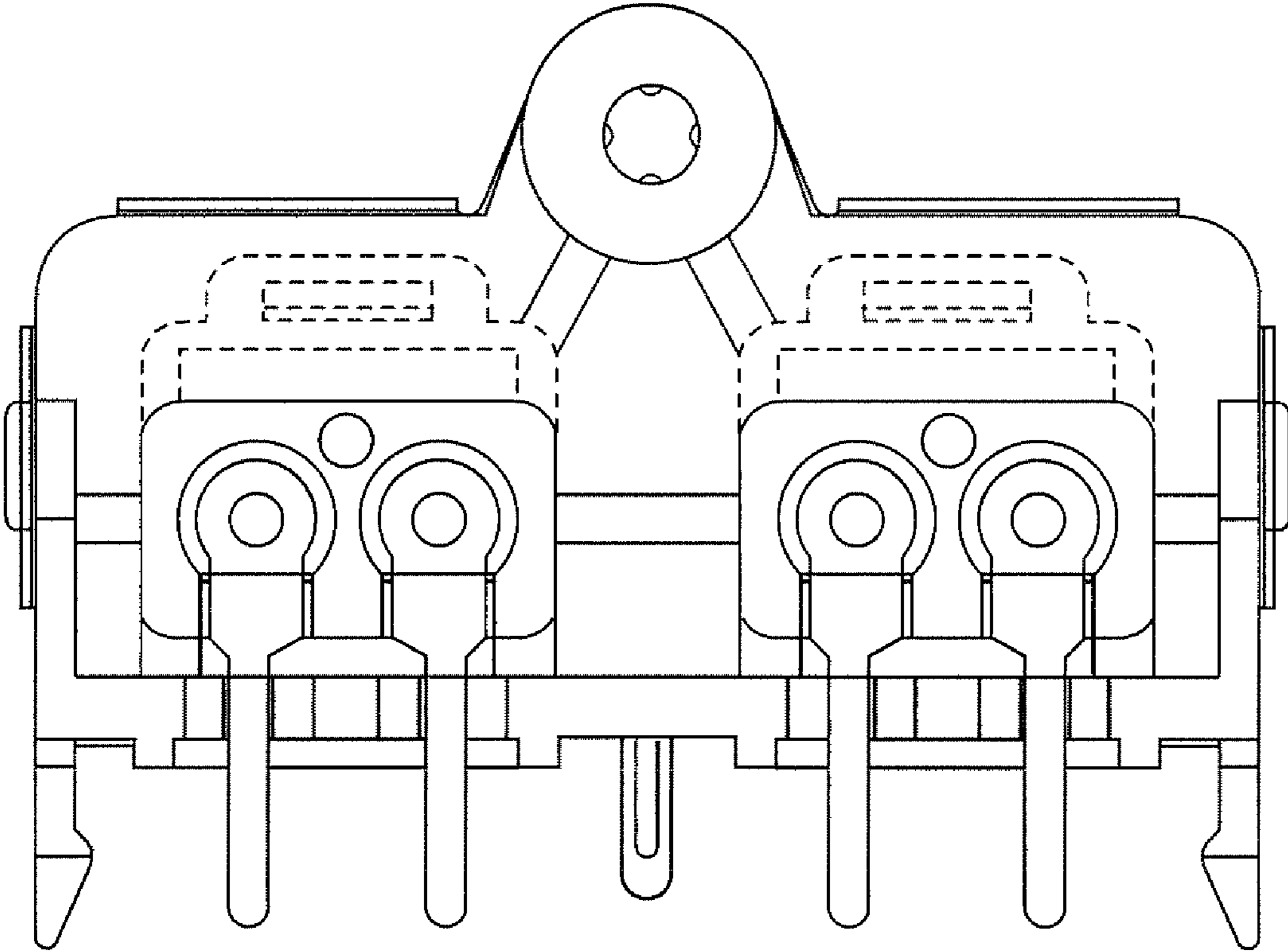


FIG. 2

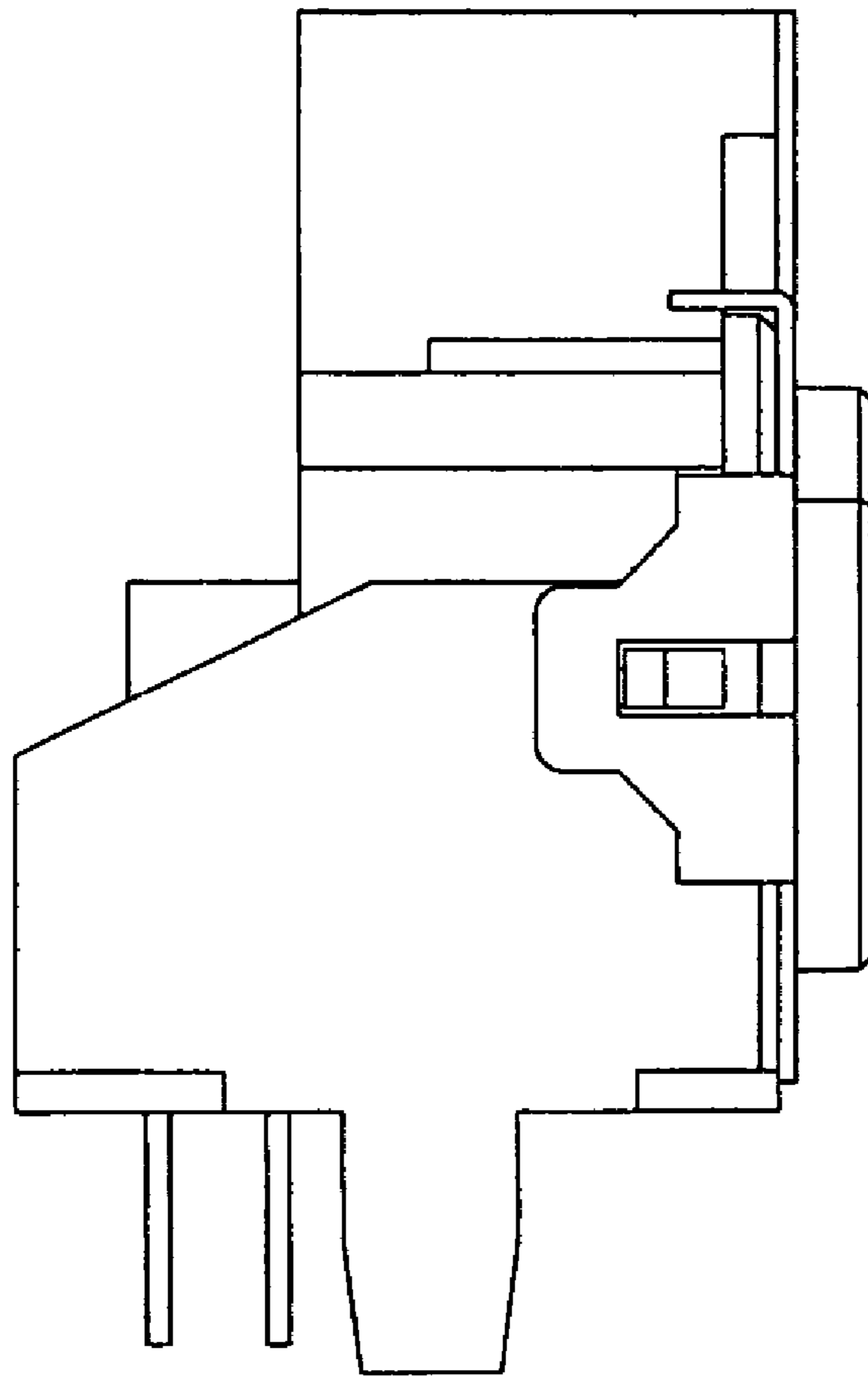


FIG. 3

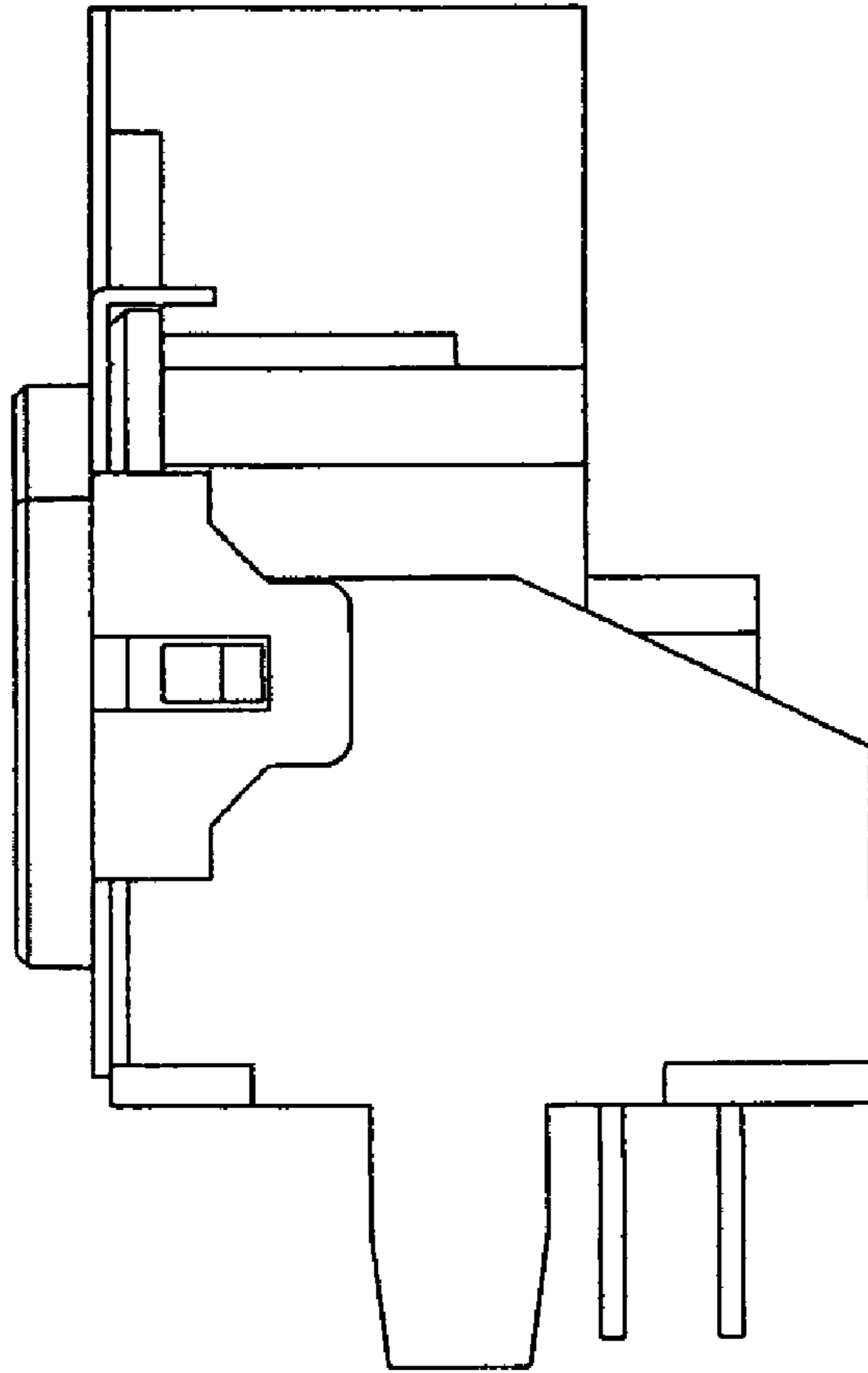


FIG. 4

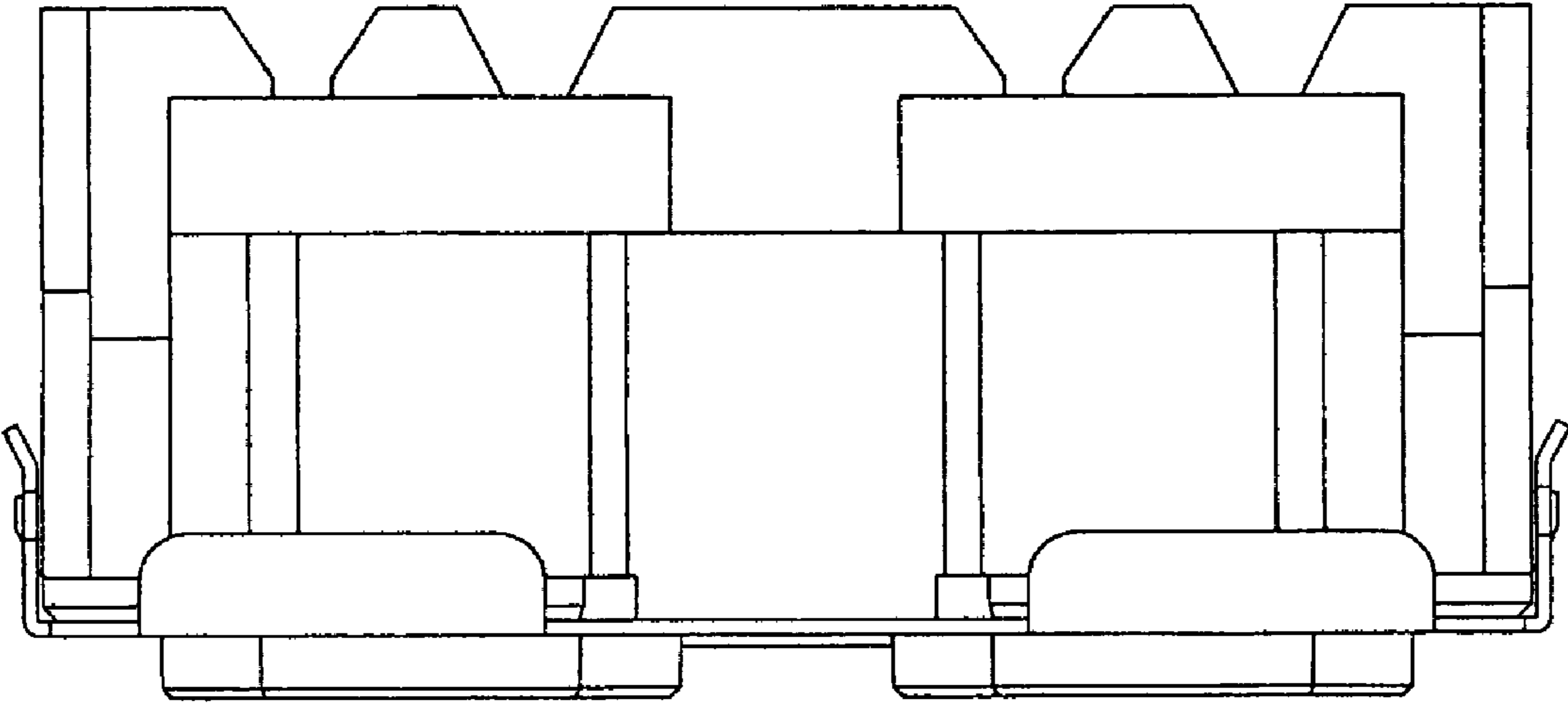


FIG. 5

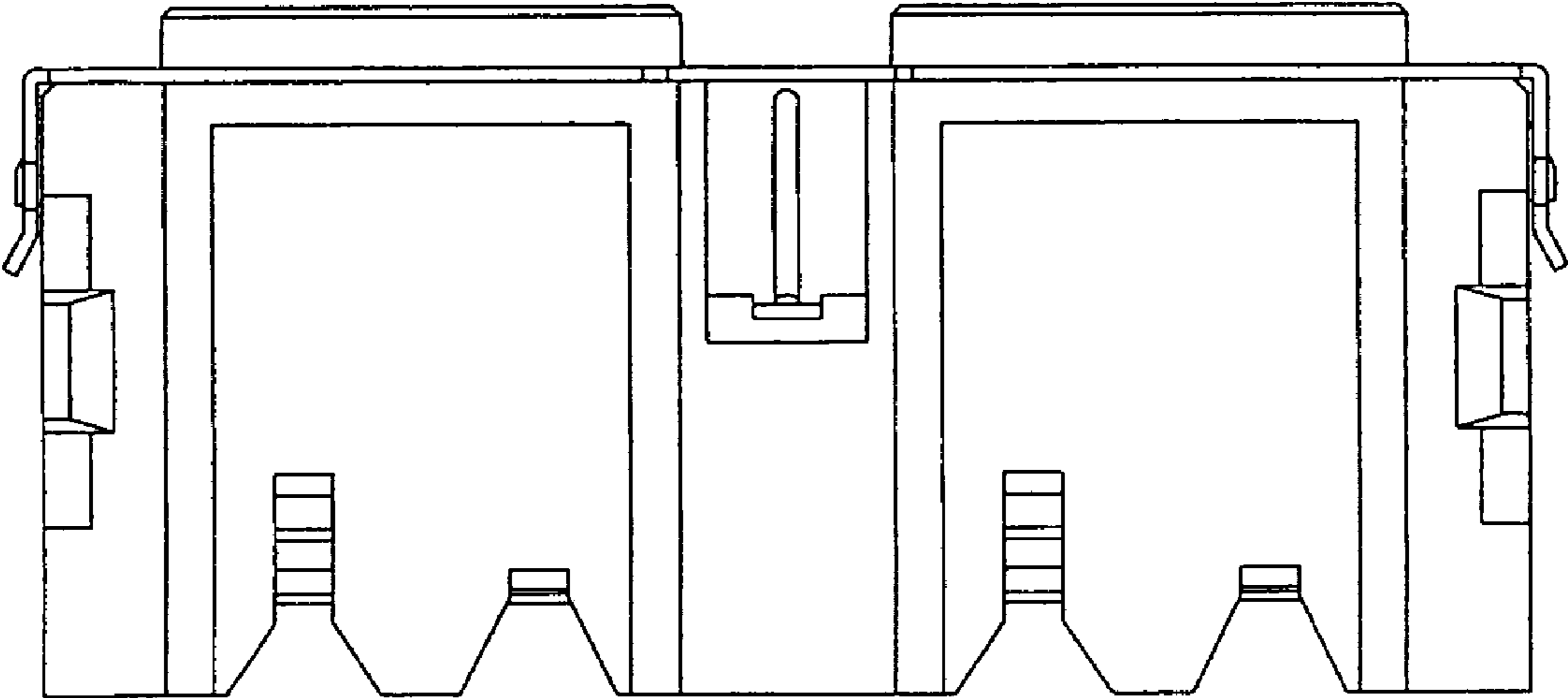


FIG. 6

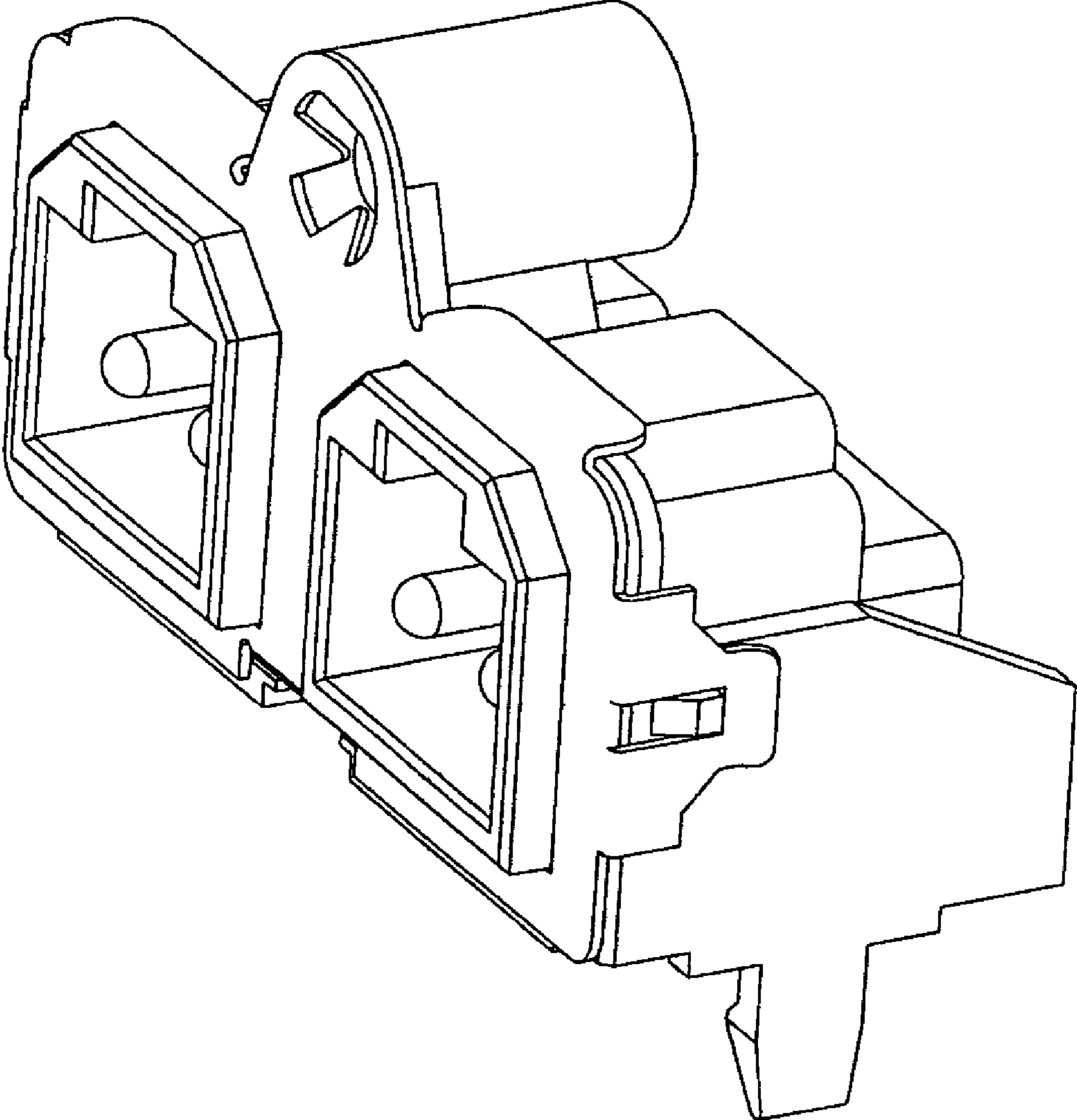


FIG. 7

UNITED STATES PATENT AND TRADEMARK OFFICE
CERTIFICATE OF CORRECTION

PATENT NO. : Des. 584,226 S
APPLICATION NO. : 29/258237
DATED : January 6, 2009
INVENTOR(S) : Shun Tong So

Page 1 of 1

It is certified that error appears in the above-identified patent and that said Letters Patent is hereby corrected as shown below:

On the Title page,

Item (73) Assignee:

Change "Morning Star Industrial Company" to -- Morning Star Industrial Company Limited --

Signed and Sealed this

First Day of September, 2009



David J. Kappos
Director of the United States Patent and Trademark Office