



US00D584224S

(12) **United States Design Patent**  
**Mori et al.**

(10) **Patent No.:** **US D584,224 S**  
(45) **Date of Patent:** **\*\* Jan. 6, 2009**

(54) **BATTERY FOR PORTABLE COMPUTER**

(75) Inventors: **Takeshi Mori**, Kadoma (JP); **Shuji Yasuoka**, Kadoma (JP)

(73) Assignee: **Panasonic Corporation**, Kadoma-shi (JP)

(\*\*) Term: **14 Years**

(21) Appl. No.: **29/306,546**

(22) Filed: **Apr. 10, 2008**

(30) **Foreign Application Priority Data**

Feb. 1, 2008 (JP) ..... 2008-002228

(51) **LOC (9) Cl.** ..... **13-02**

(52) **U.S. Cl.** ..... **D13/103**

(58) **Field of Classification Search** ..... D13/102-106,  
D13/110, 118-120, 184; 429/96-100, 163,  
429/176

See application file for complete search history.

(56) **References Cited**

**U.S. PATENT DOCUMENTS**

D403,656 S \* 1/1999 Ichikawa ..... D13/103  
D449,577 S \* 10/2001 Nishio et al. .... D13/103  
D490,370 S \* 5/2004 Picardo ..... D13/103  
D510,721 S \* 10/2005 Axelrod ..... D13/103  
D568,807 S \* 5/2008 Suzuki et al. .... D13/103

**FOREIGN PATENT DOCUMENTS**

JP D942492/9 S 2/2000  
JP D942492/10 S 2/2000  
JP D1077120 S 7/2000

JP D1113583 S 7/2001  
JP D1140656 S 5/2002  
JP D1202206 S 4/2004  
JP D1202422 S 4/2004  
JP D1202423 S 4/2004  
JP D1296188 S 3/2007  
JP D1296282 S 3/2007  
JP D1311423 S 10/2007  
JP D1313700 S 10/2007  
JP D1313701 S 10/2007  
JP D1313702 S 10/2007

\* cited by examiner

*Primary Examiner*—Melanie H Tung

*Assistant Examiner*—Rosemary K Tarcza

(74) *Attorney, Agent, or Firm*—Christensen O'Connor Johnson Kindness PLLC

(57) **CLAIM**

The ornamental design for a battery for portable computer, as shown and described.

**DESCRIPTION**

FIG. 1 is a front perspective view of the front, bottom, and left side view of a portable computer showing our new design;

FIG. 2 is a rear perspective view thereof;

FIG. 3 is a front view thereof;

FIG. 4 is a top plan view thereof;

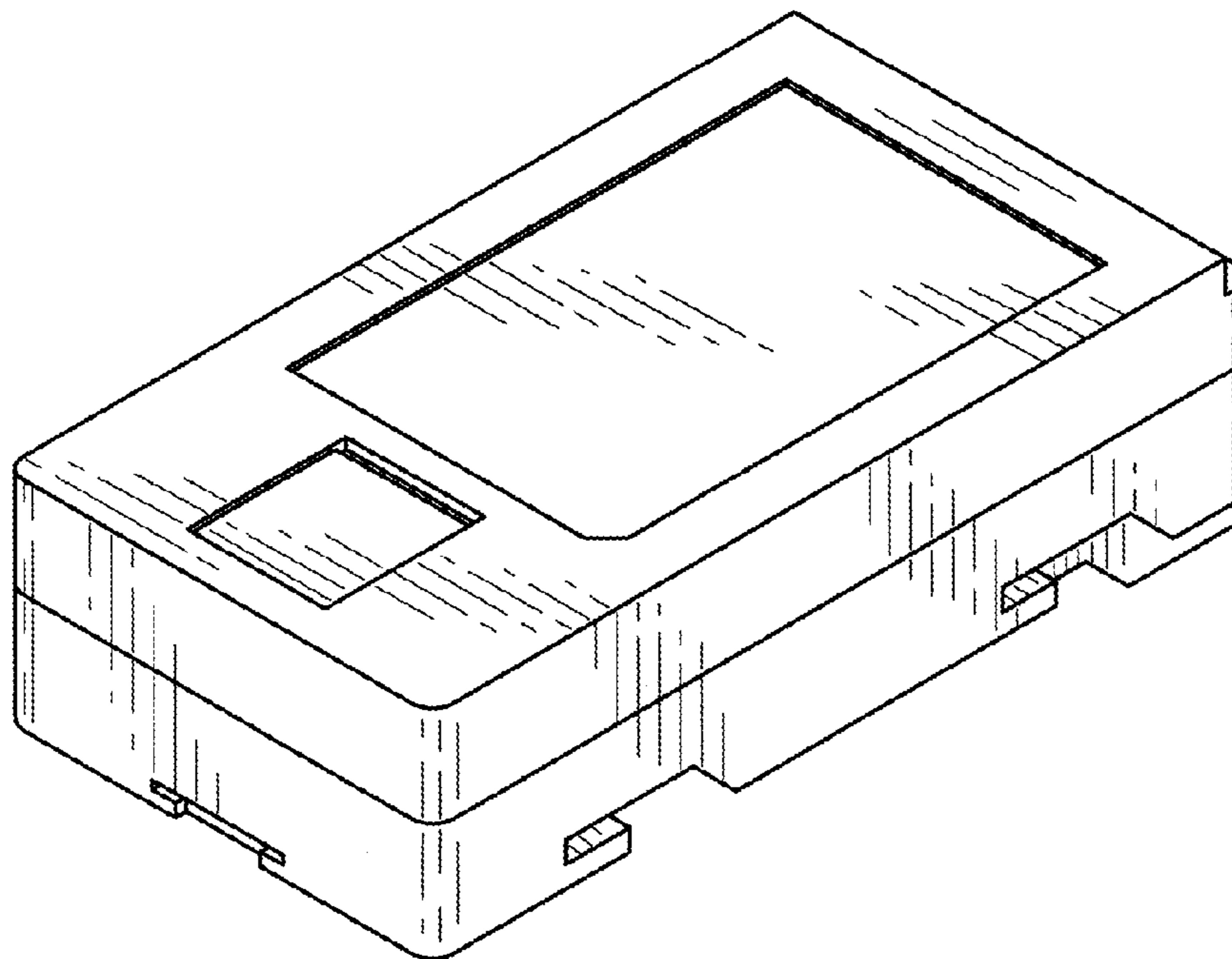
FIG. 5 is a left side view thereof;

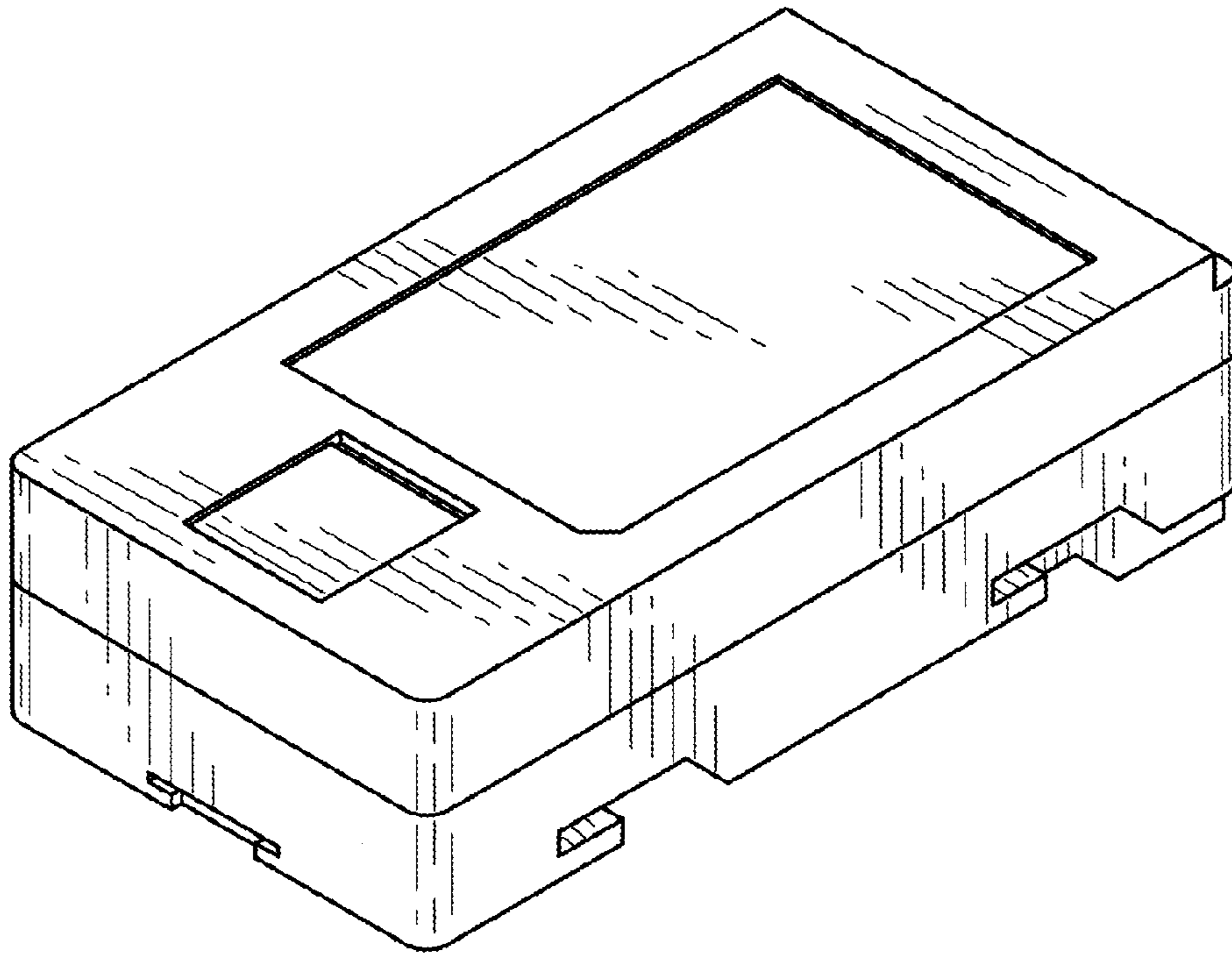
FIG. 6 is a right side view thereof;

FIG. 7 is a bottom view thereof; and,

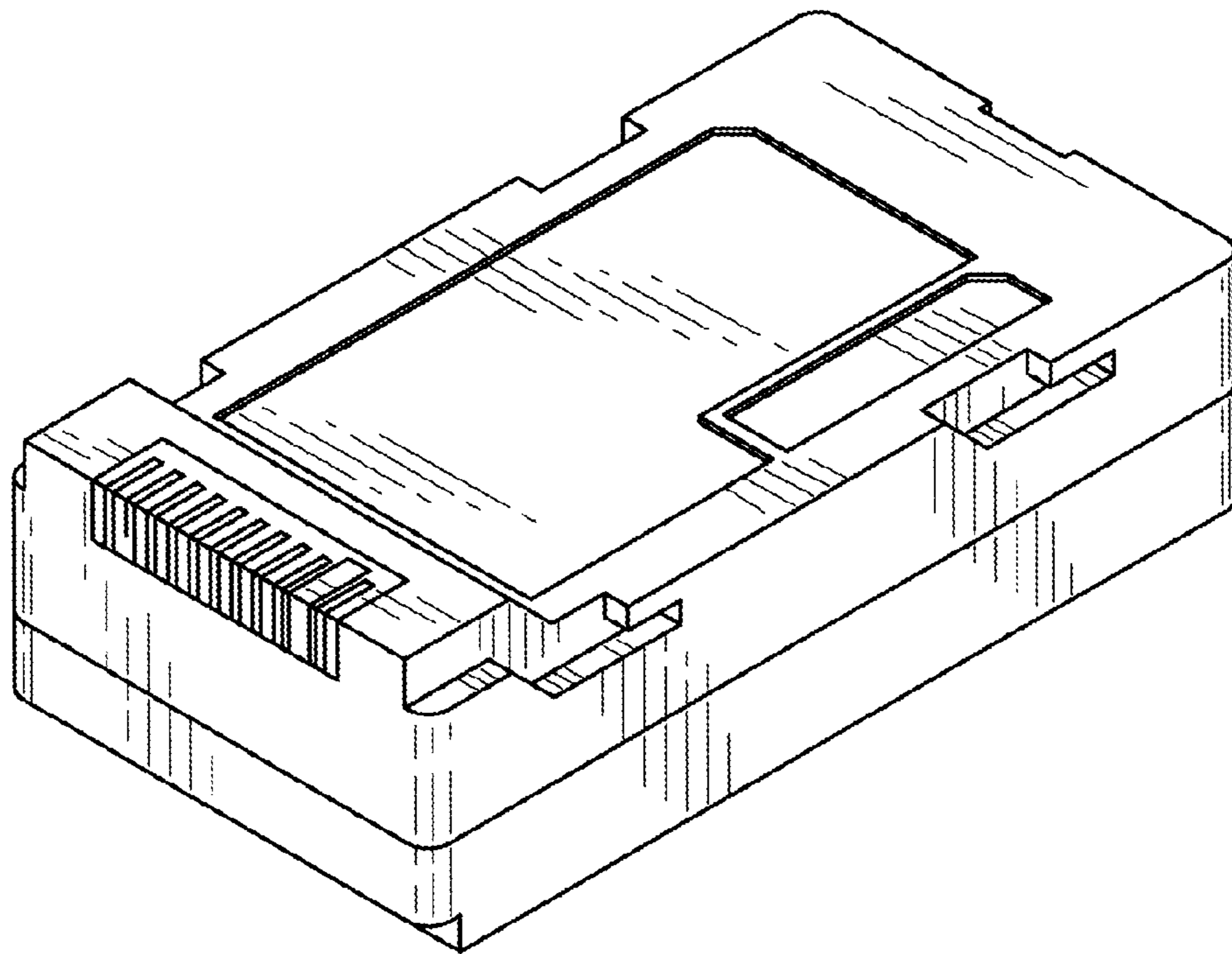
FIG. 8 is a rear view thereof.

**1 Claim, 4 Drawing Sheets**

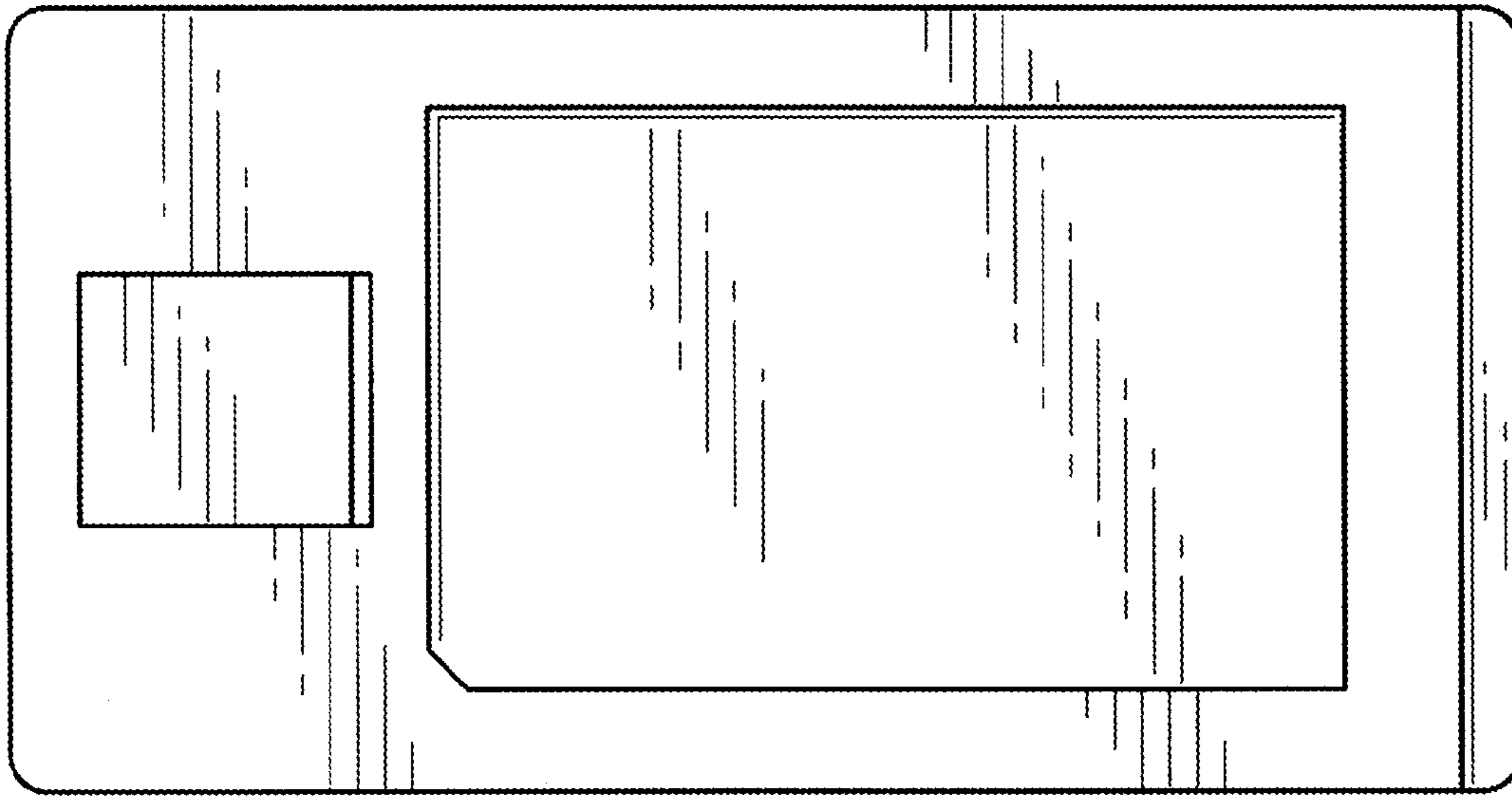




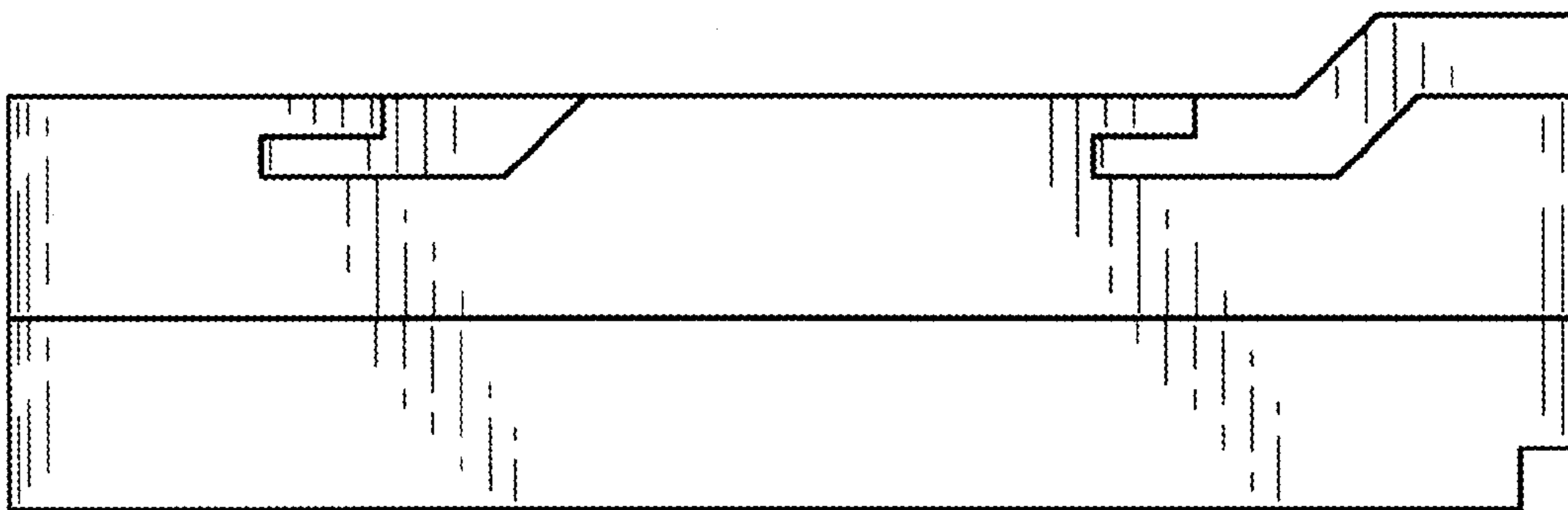
*Fig. 1.*



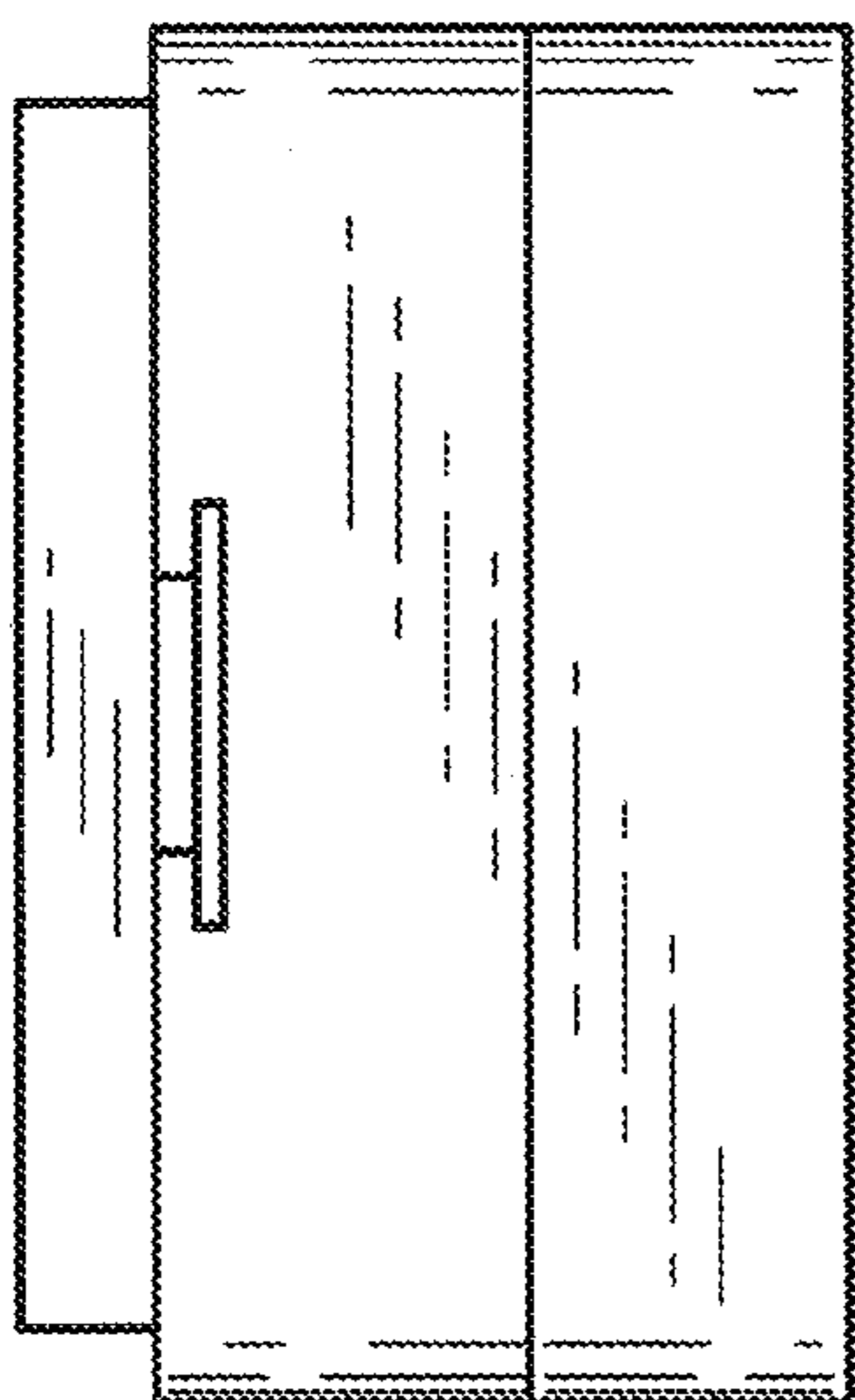
*Fig. 2.*



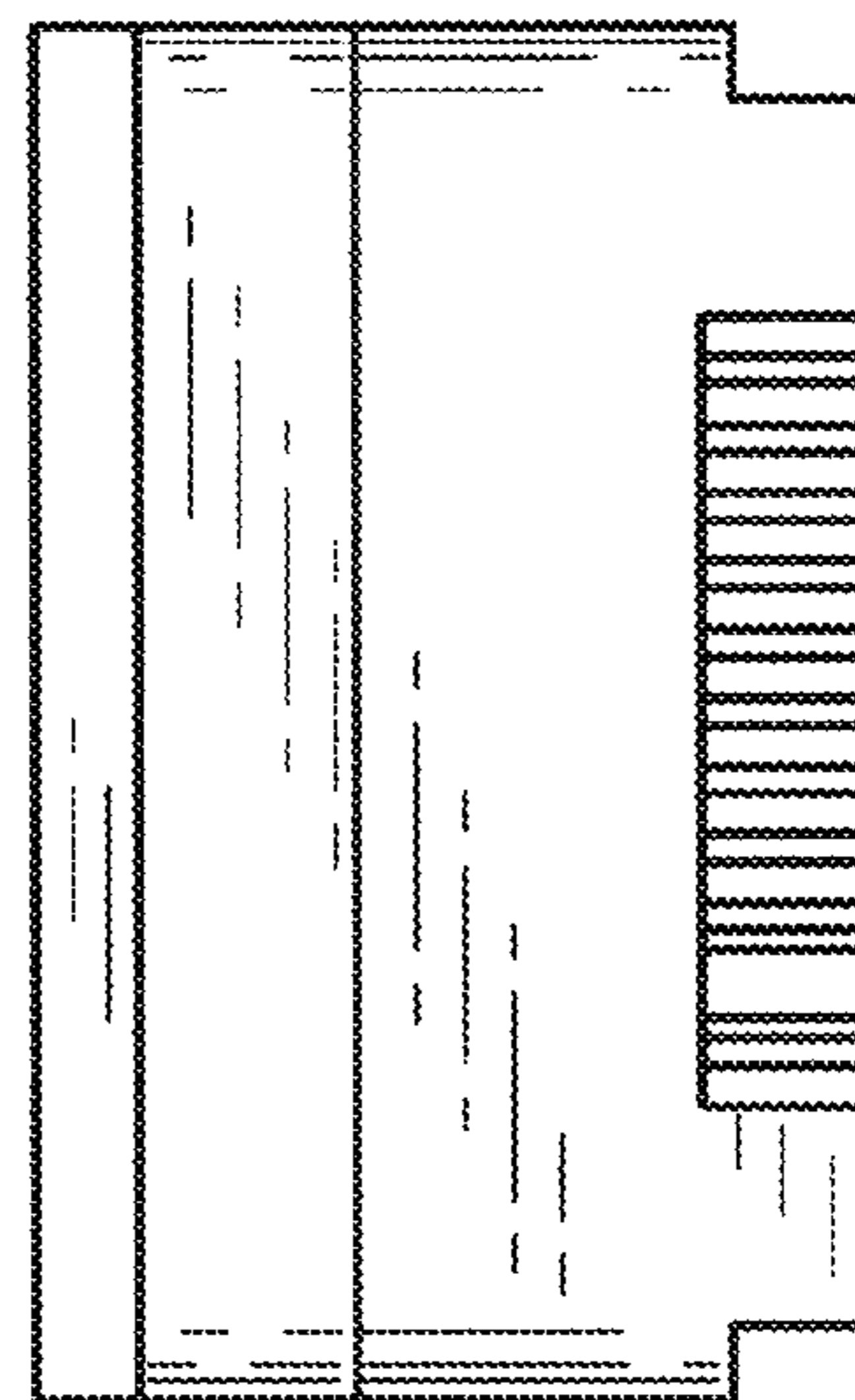
*Fig.3.*



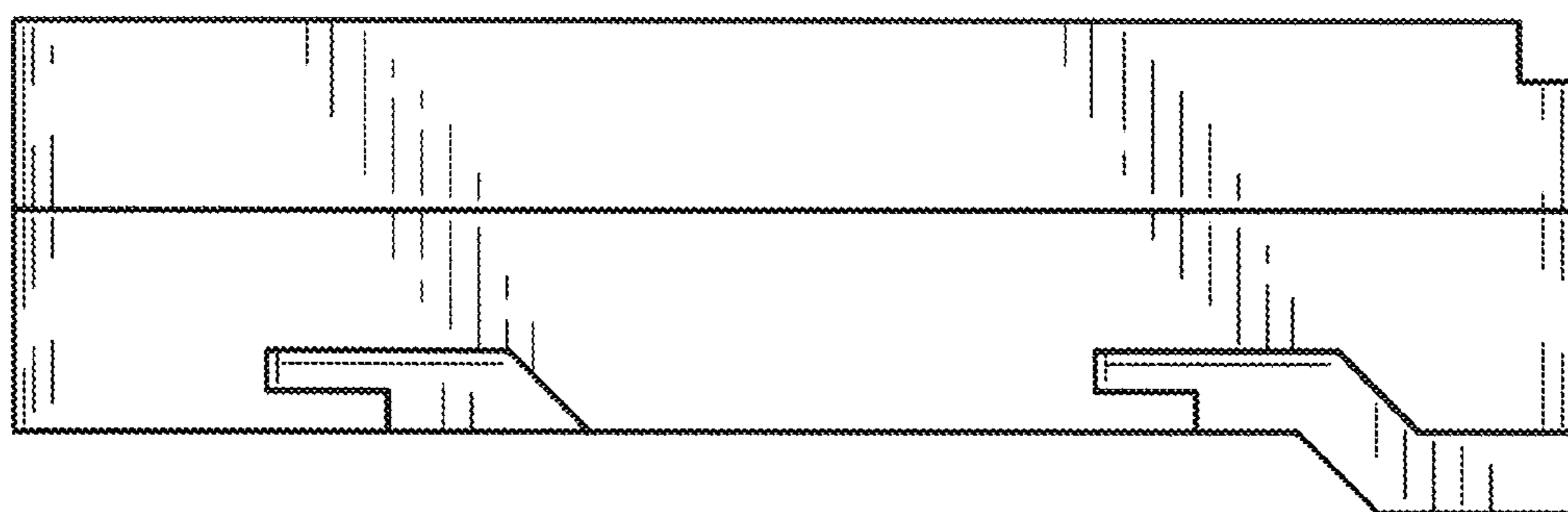
*Fig.4.*



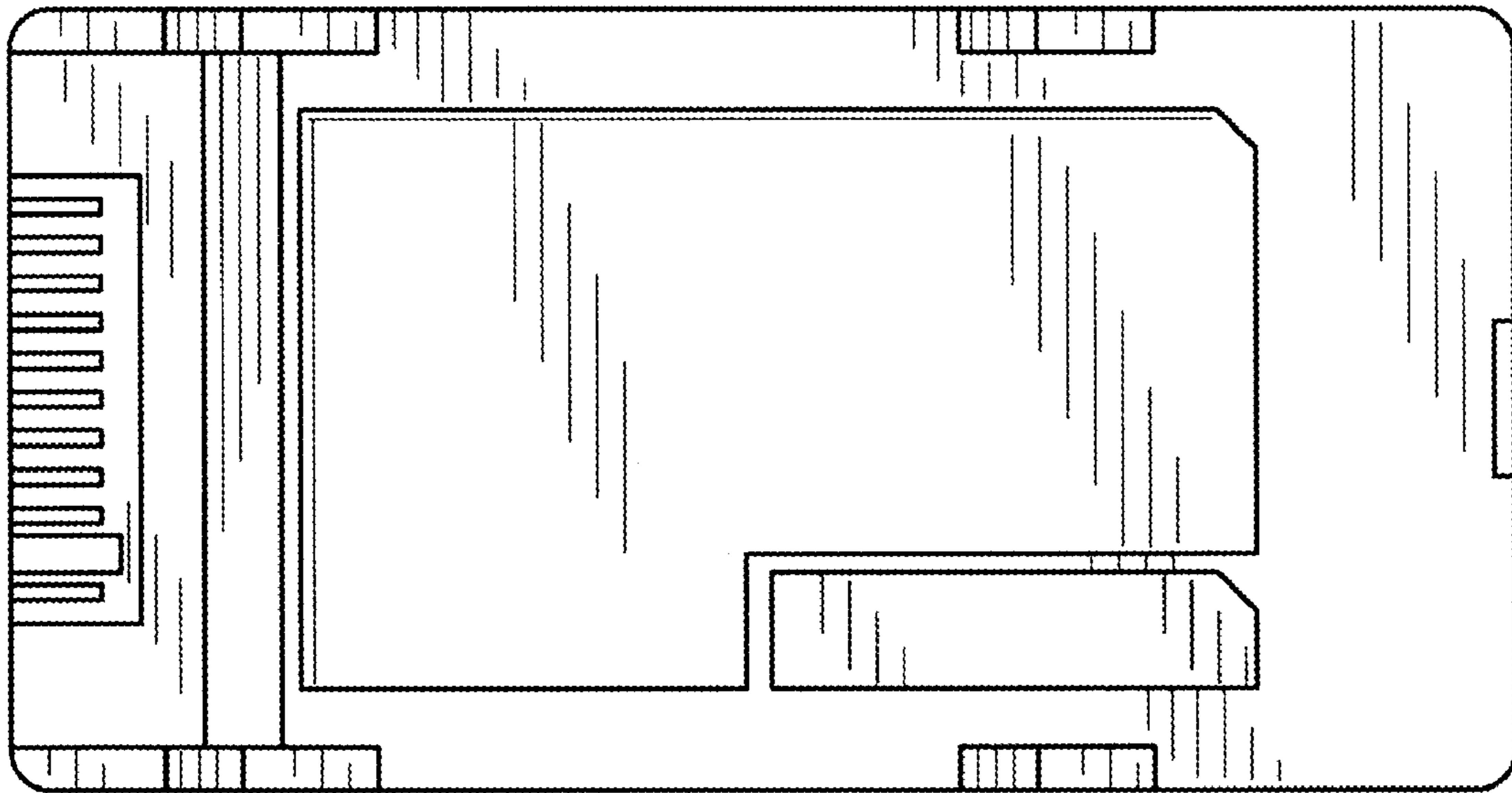
*Fig. 5.*



*Fig. 6.*



*Fig. 7.*



*Fig. 8.*