



US00D584218S

(12) **United States Design Patent**
Onoe

(10) **Patent No.:** **US D584,218 S**

(45) **Date of Patent:** **** Jan. 6, 2009**

(54) **AUTOMOBILE TIRE**

(75) Inventor: **Mitsunobu Onoe**, Osaka (JP)

(73) Assignee: **Toyo Tire & Rubber Co., Ltd.**, Osaka (JP)

(**) Term: **14 Years**

(21) Appl. No.: **29/274,837**

(22) Filed: **May 30, 2007**

(30) **Foreign Application Priority Data**

May 10, 2007 (JP) 2007-015118

(51) **LOC (9) Cl.** **12-15**

(52) **U.S. Cl.** **D12/551; D12/554**

(58) **Field of Classification Search** D12/533,
D12/551-567, 900-901; 152/209.1, 209.8-209.18,
152/209.25-209.28, 455

See application file for complete search history.

(56) **References Cited**

U.S. PATENT DOCUMENTS

- 4,574,857 A * 3/1986 Beeghly et al. 152/209.13
- D391,202 S * 2/1998 Baus D12/552
- D464,021 S * 10/2002 Walton et al. D12/554
- D499,691 S 12/2004 Brown et al.
- D514,059 S * 1/2006 Dixon D12/552

- D534,483 S * 1/2007 Graas et al. D12/554
- D536,660 S * 2/2007 Schmalix et al. D12/551

* cited by examiner

Primary Examiner—Stacia Cadmus

(74) *Attorney, Agent, or Firm*—Westerman, Hattori, Daniels & Adrian, LLP.

(57) **CLAIM**

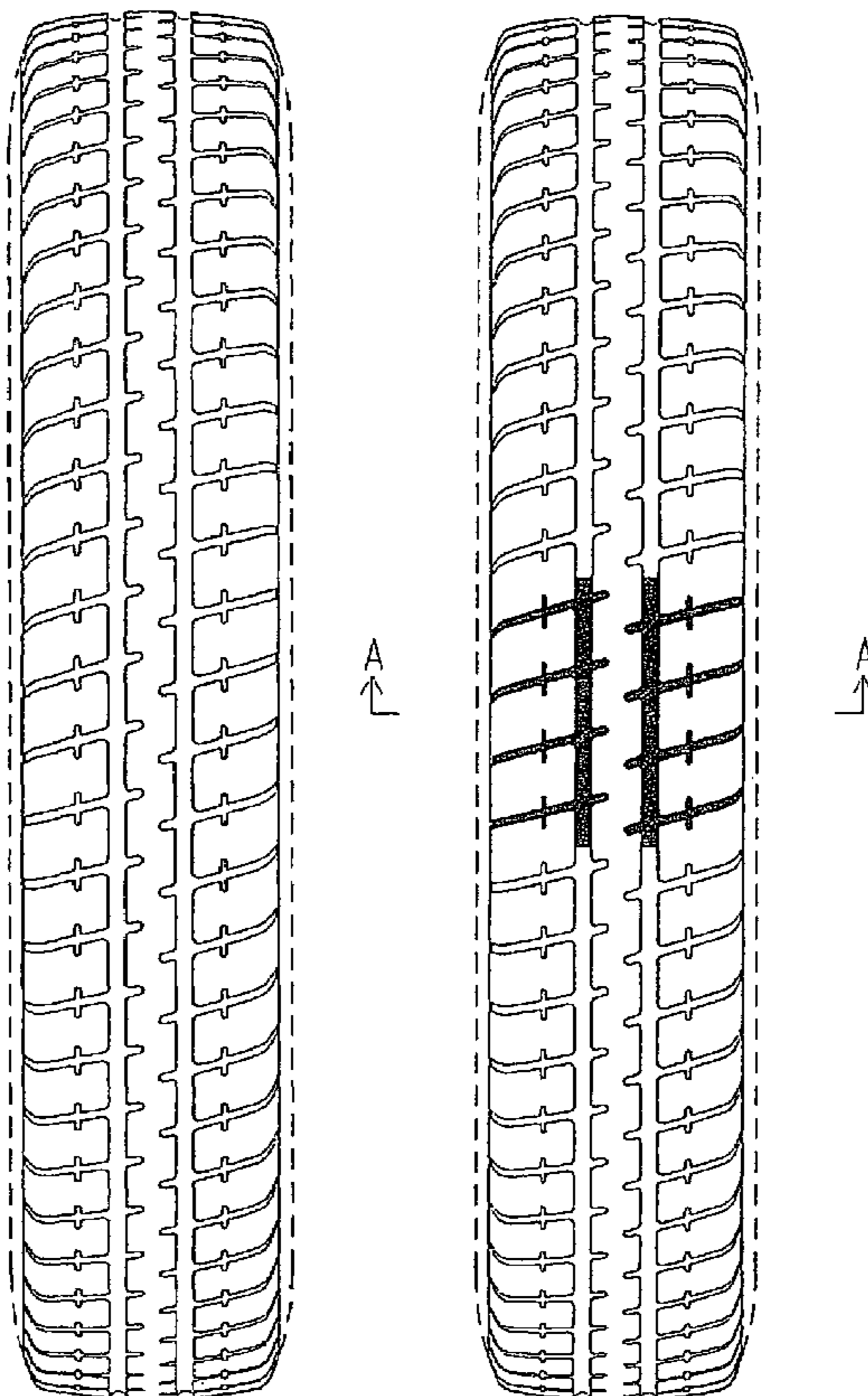
The ornamental design for an automobile tire, as shown and described.

DESCRIPTION

FIG. 1 is a front view of the automobile tire;
 FIG. 2 is a rear view of the automobile tire;
 FIG. 3 is a left-side of the automobile tire;
 FIG. 4 is a right-side view of the automobile tire;
 FIG. 5 is a perspective view of the automobile tire;
 FIG. 6 is a reference front view, a part of its tread painted black; and,
 FIG. 7 is an enlarged cross-section view taken along the line A—A in FIG. 6.

In the drawings, the broken lines defining the inner bead depict environmental subject matter that forms no part of the claimed design.

1 Claim, 7 Drawing Sheets



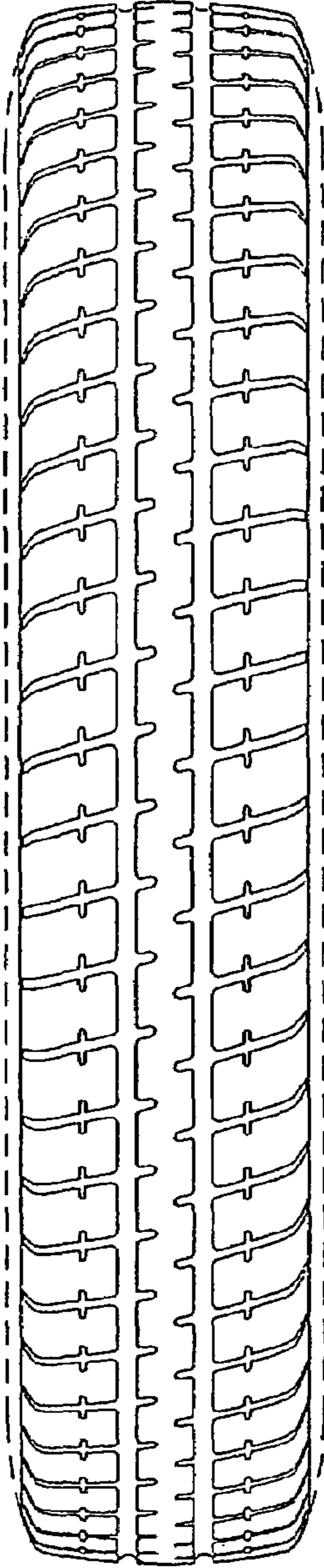


FIG.1

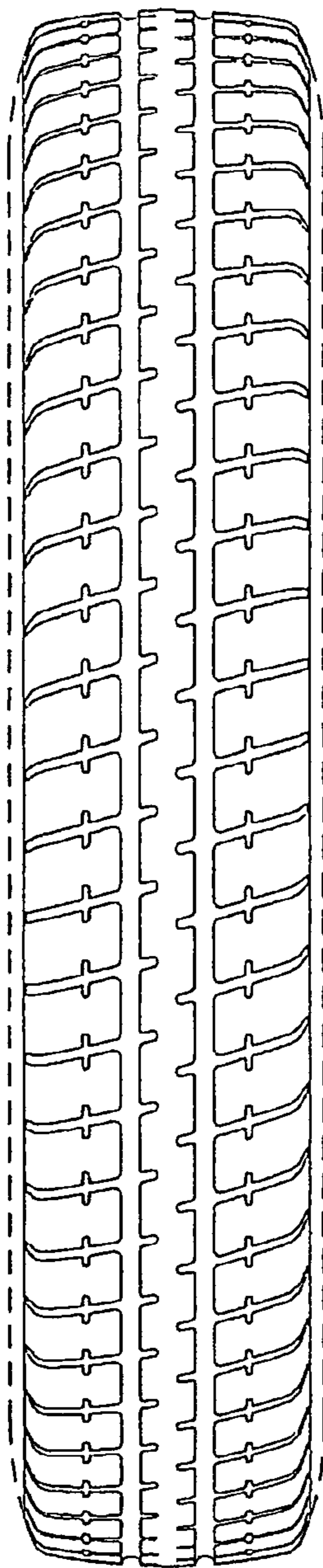


FIG.2

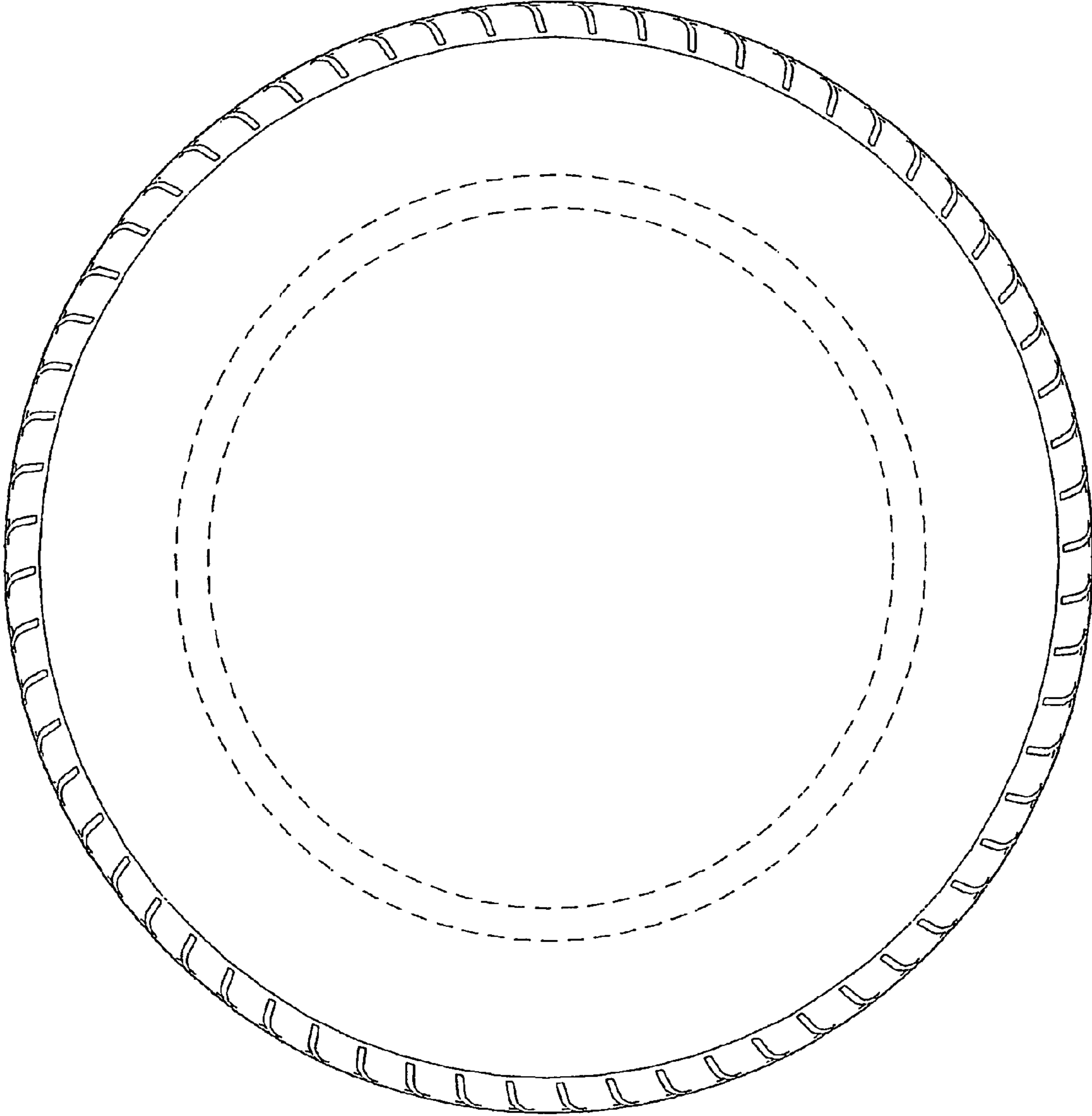


FIG.3

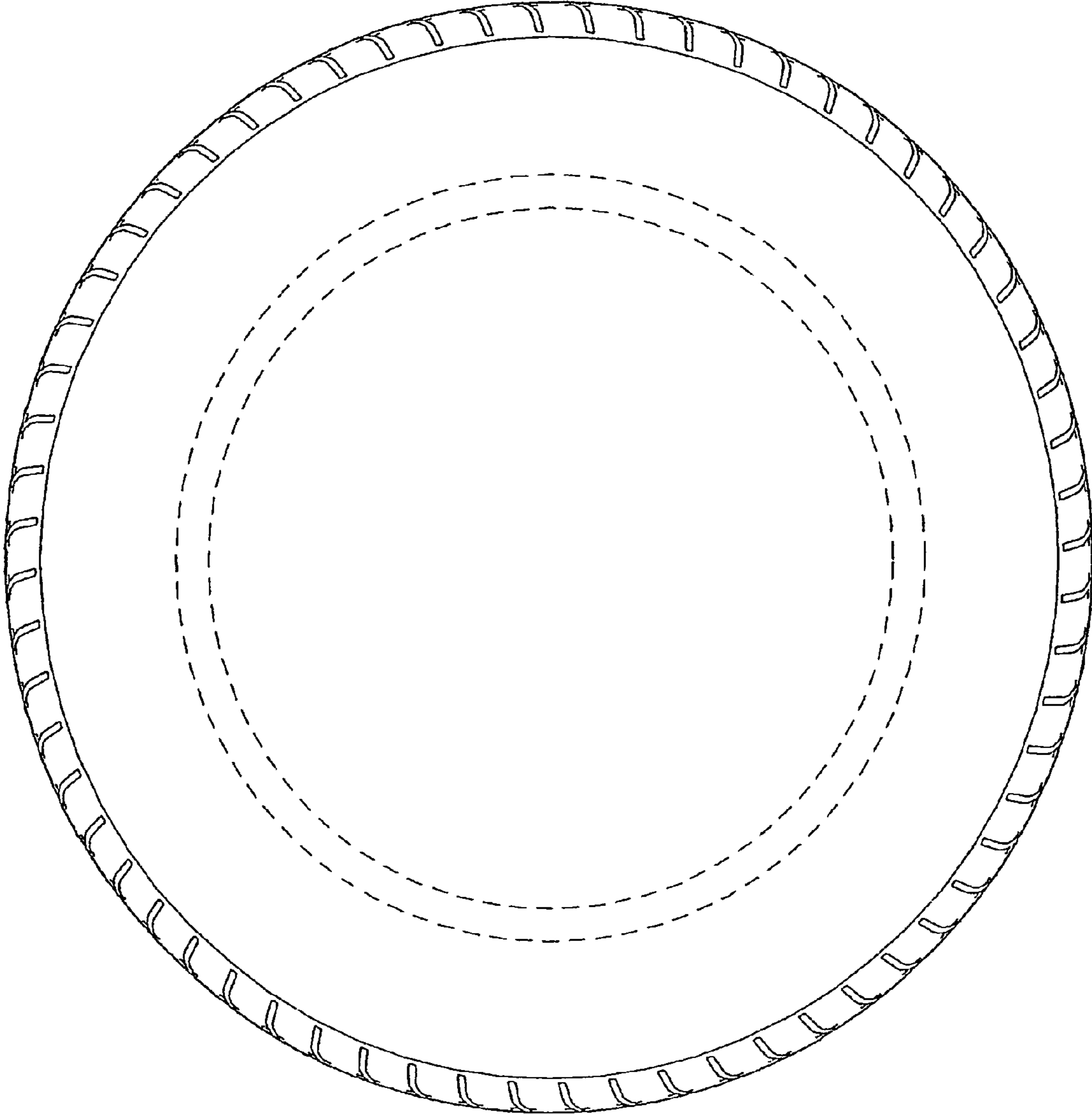


FIG.4

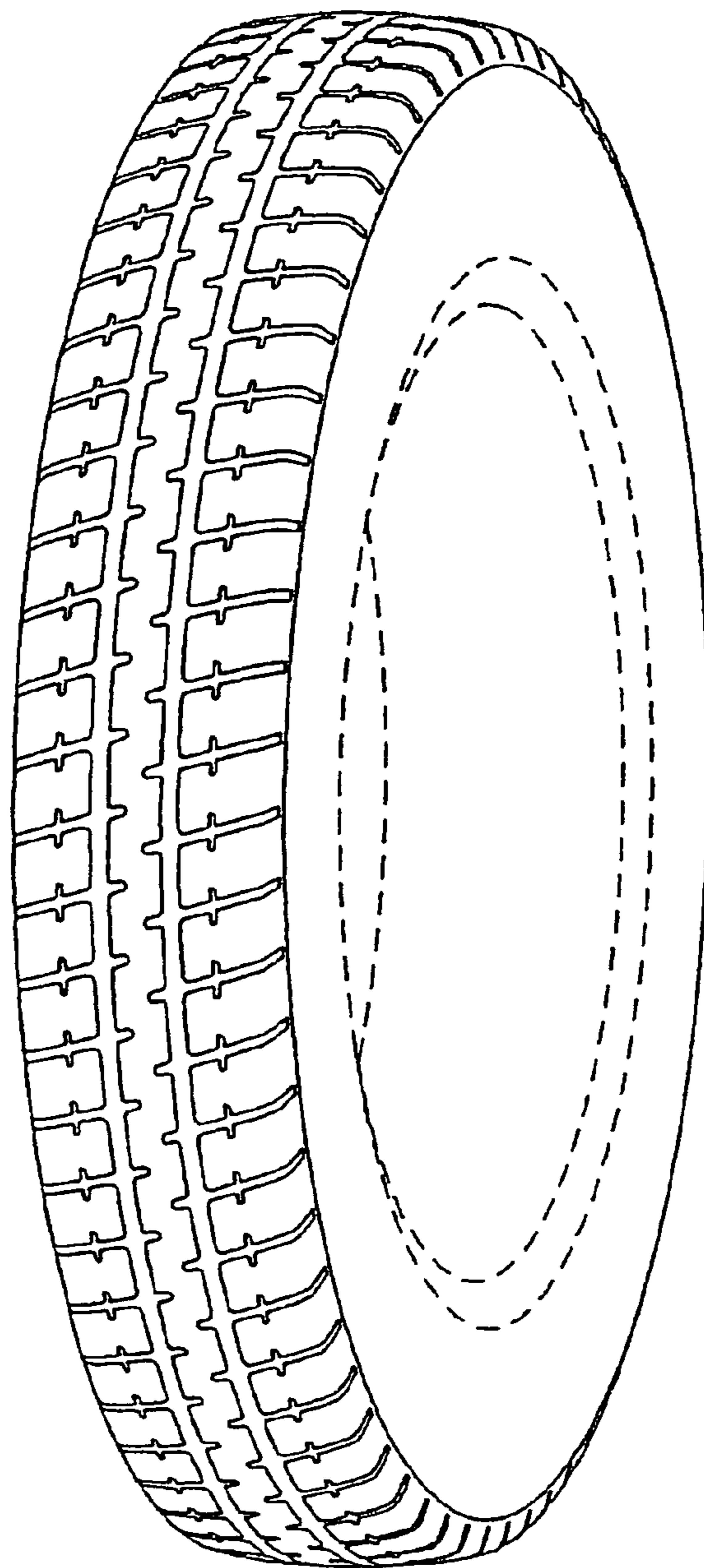


FIG.5

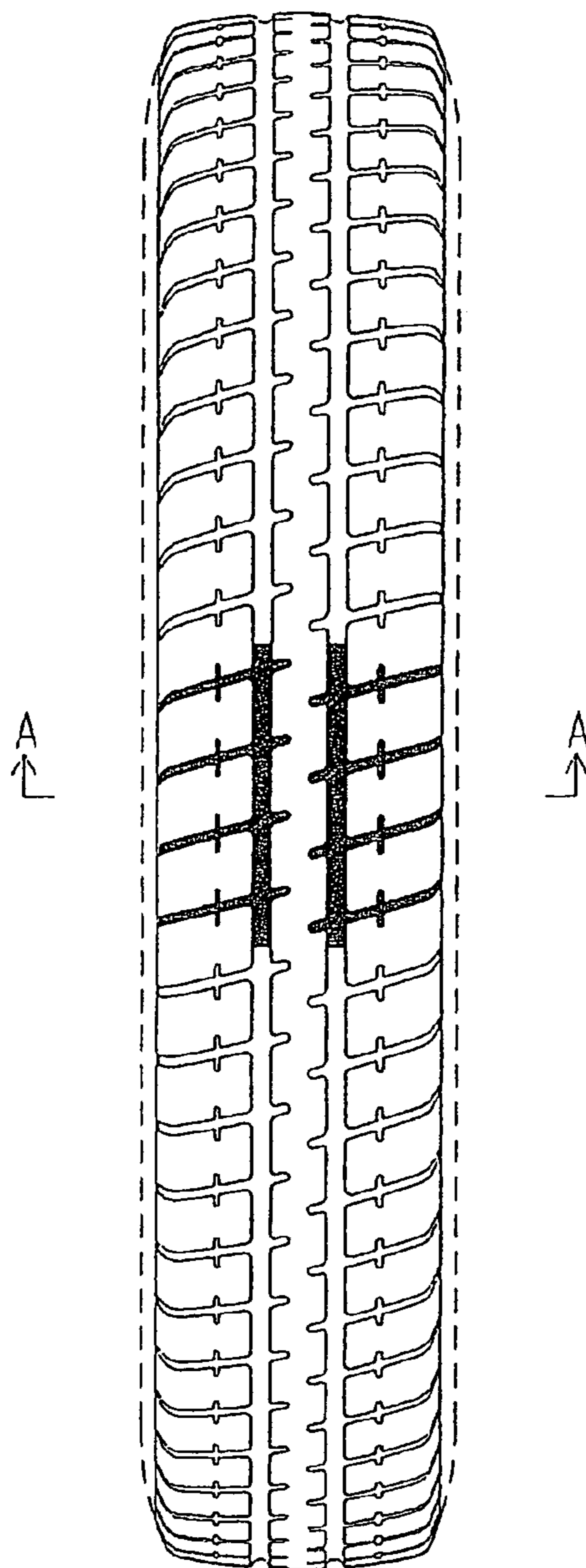


FIG.6

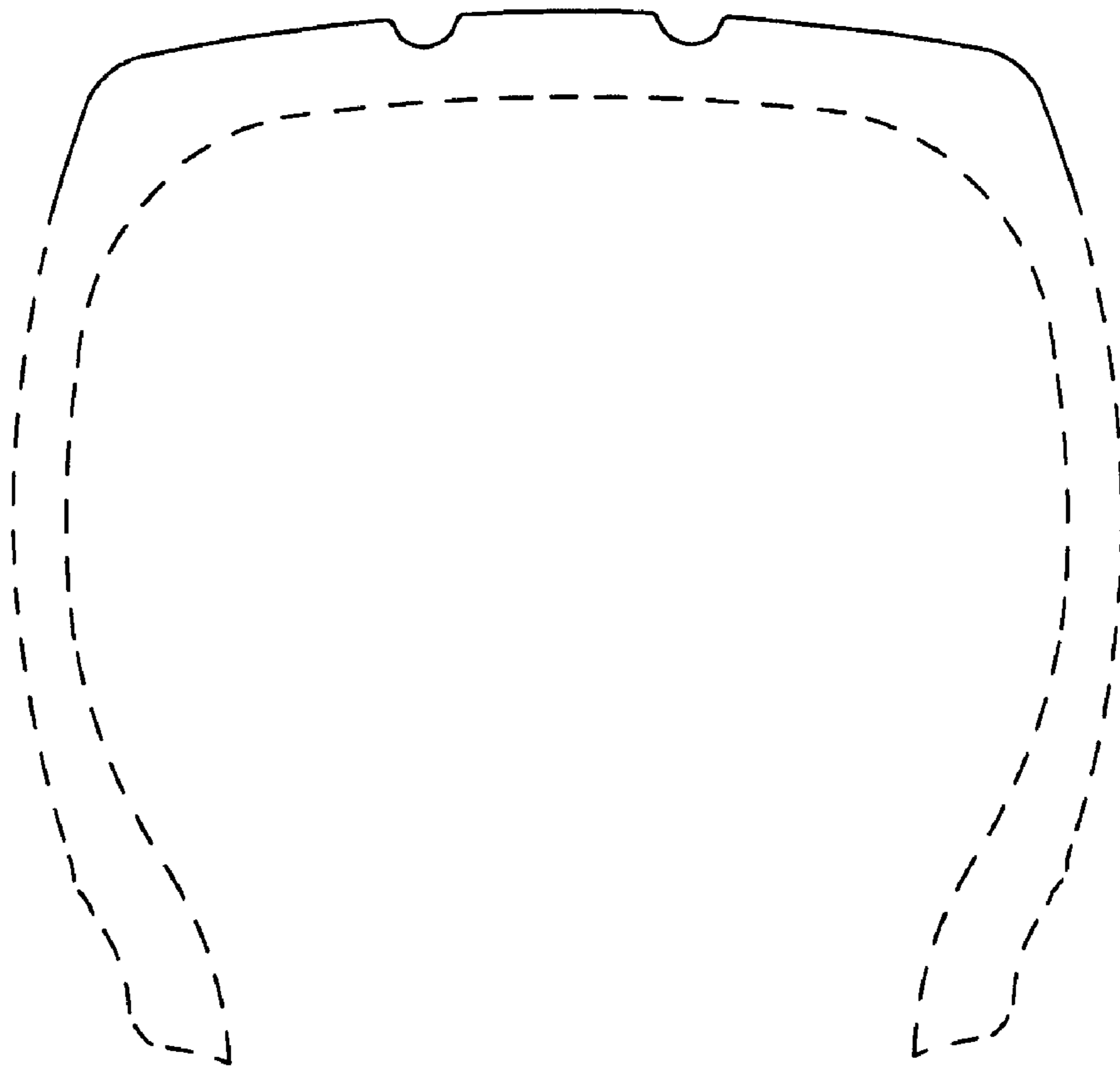


FIG. 7