



US00D584217S

(12) **United States Design Patent**
Scheuren et al.

(10) **Patent No.:** **US D584,217 S**
(45) **Date of Patent:** **** Jan. 6, 2009**

(54) **TIRE TREAD**

(75) Inventors: **Daniel Scheuren**, Arlon (BE); **Aake Martin Wickstroem**, Mamer (LU); **Patrick Michel Philippe Demaret**, Nothum (LU); **Alessio Loreto**, Diekirch (LU); **Phuoc Thuan Le**, Attert (BE); **Audrey Marie Paule Simon**, Watermael-Boitsfort (BE)

(73) Assignee: **The Goodyear Tire & Rubber Company**, Akron, OH (US)

(**) Term: **14 Years**

(21) Appl. No.: **29/262,859**

(22) Filed: **Jul. 12, 2006**

(51) **LOC (9) Cl.** **12-15**

(52) **U.S. Cl.** **D12/549**

(58) **Field of Classification Search** D12/505-567;
152/209.1, 209.12, 209.18, 209.25
See application file for complete search history.

(56) **References Cited**

U.S. PATENT DOCUMENTS

D304,434 S	*	11/1989	Schuller	D12/561
D320,180 S	*	9/1991	Diensthuber	D12/566
D341,559 S	*	11/1993	Lurois	D12/567
D362,218 S	*	9/1995	McKisson	D12/565
D371,758 S	*	7/1996	Kimura	D12/554
D374,200 S	*	10/1996	Kinoshita	D12/555
D448,707 S		10/2001	Maziarka et al.	D12/147
D448,709 S		10/2001	Le	D12/147
D451,455 S		12/2001	Helt	D12/147

D457,855 S		5/2002	Bawin et al.	D12/582
D458,215 S		6/2002	Le	D12/600
D464,612 S	*	10/2002	Hutz et al.	D12/567
D473,843 S		4/2003	Le et al.	D12/600
D480,045 S		9/2003	Durand et al.	D12/601
D497,875 S		11/2004	Le et al.	D12/594
D500,288 S		12/2004	Maziarka et al.	D12/601
D504,865 S		5/2005	Maziarka et al.	D12/521

* cited by examiner

Primary Examiner—Robert M Spear

Assistant Examiner—George D Kirschbaum

(74) *Attorney, Agent, or Firm*—Richard B. O’Planick

(57) **CLAIM**

The ornamental design for a tire tread, as shown and described.

DESCRIPTION

FIG. 1 is a perspective view of a tire tread showing our new design, it being understood that the pattern repeats uniformly throughout the circumference of the tread;

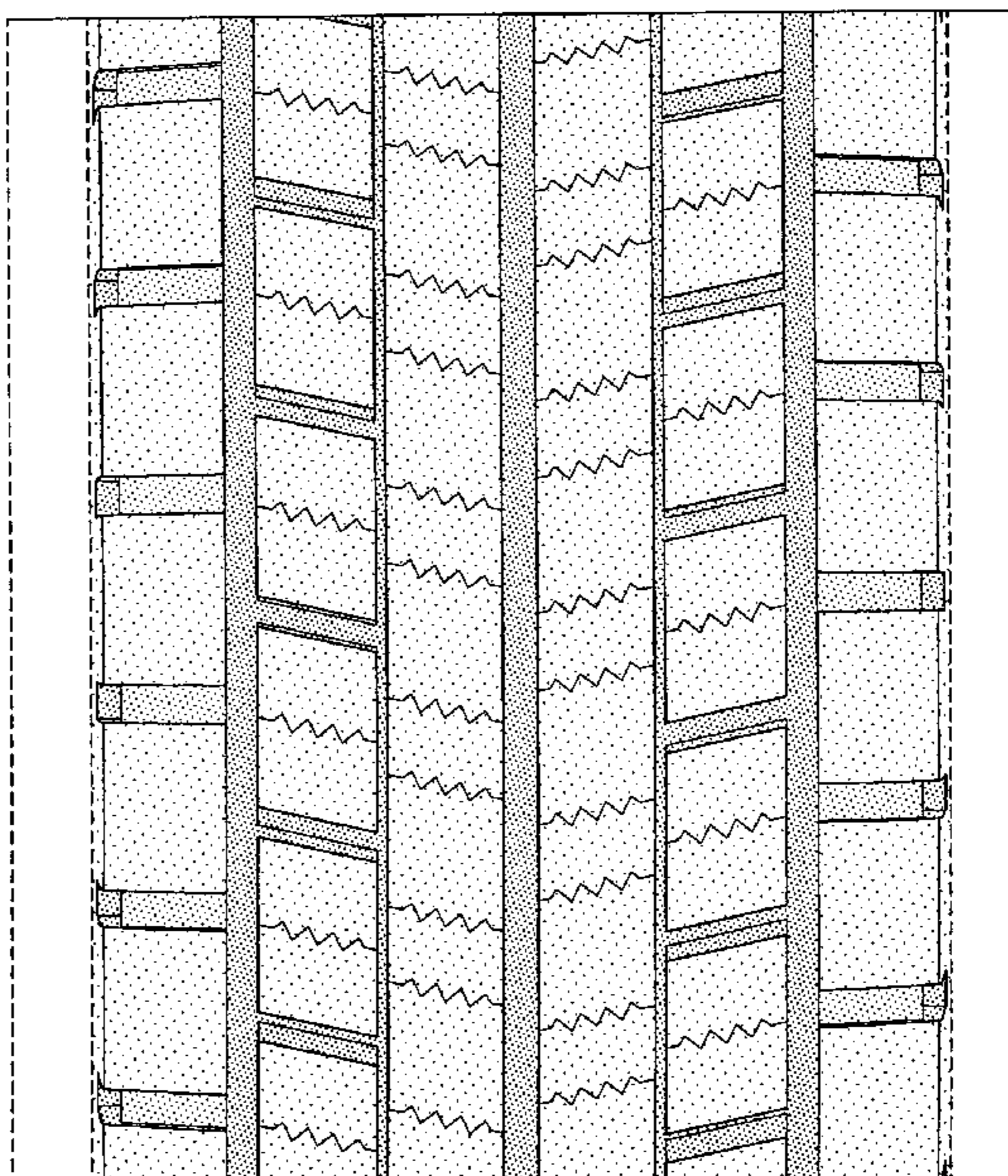
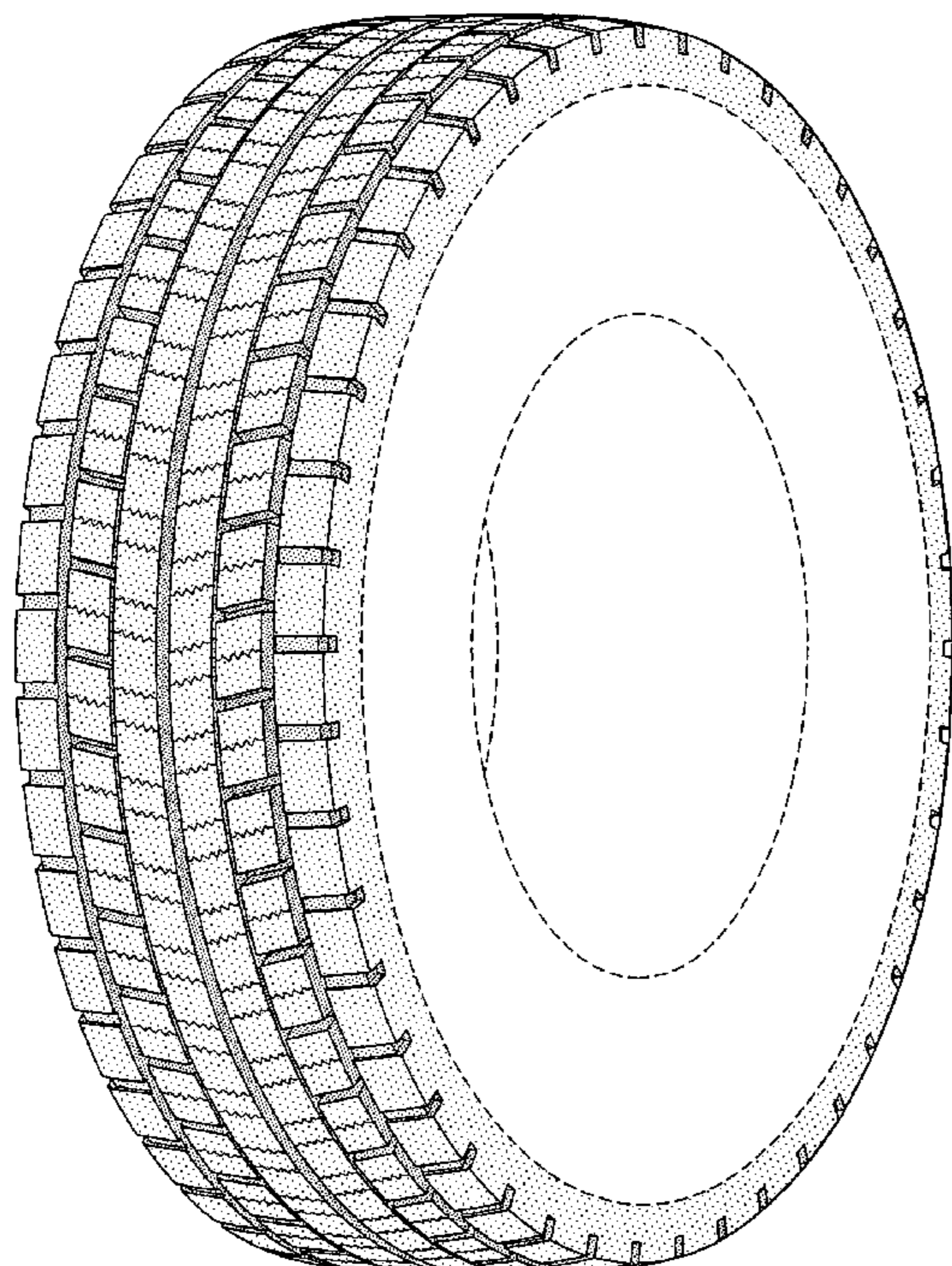
FIG. 2 is a front elevational view thereof;

FIG. 3 is a right side elevational view thereof; the other side being a mirror image thereof; and,

FIG. 4 is an enlarged fragmentary front elevational view thereof.

In the drawings, the broken lines defining the sidewall and inner bead and the peripheral boundary between the claimed tire tread and the unclaimed sidewall depict environmental subject matter that forms no part of the claimed design.

1 Claim, 4 Drawing Sheets



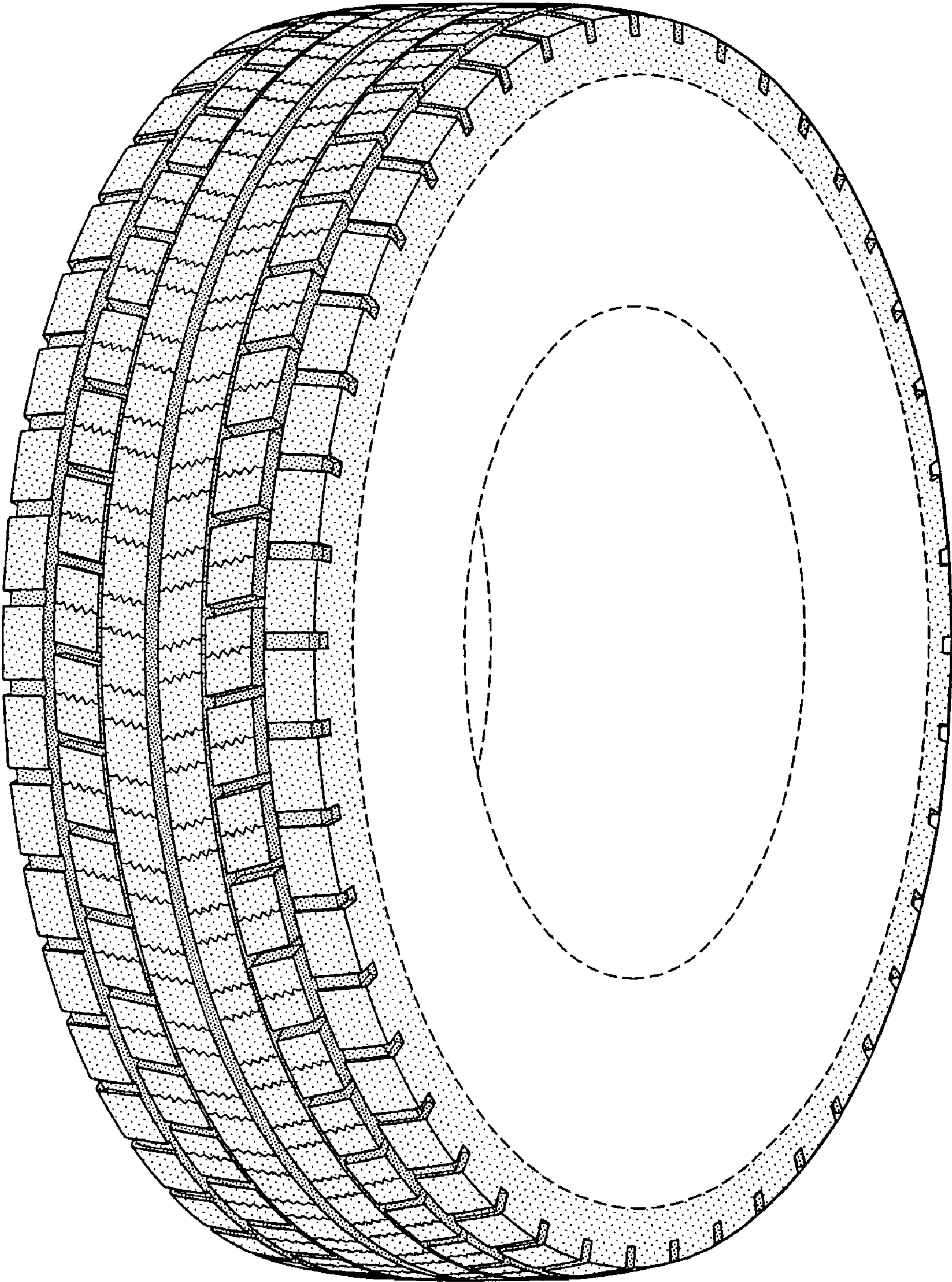


FIG-1

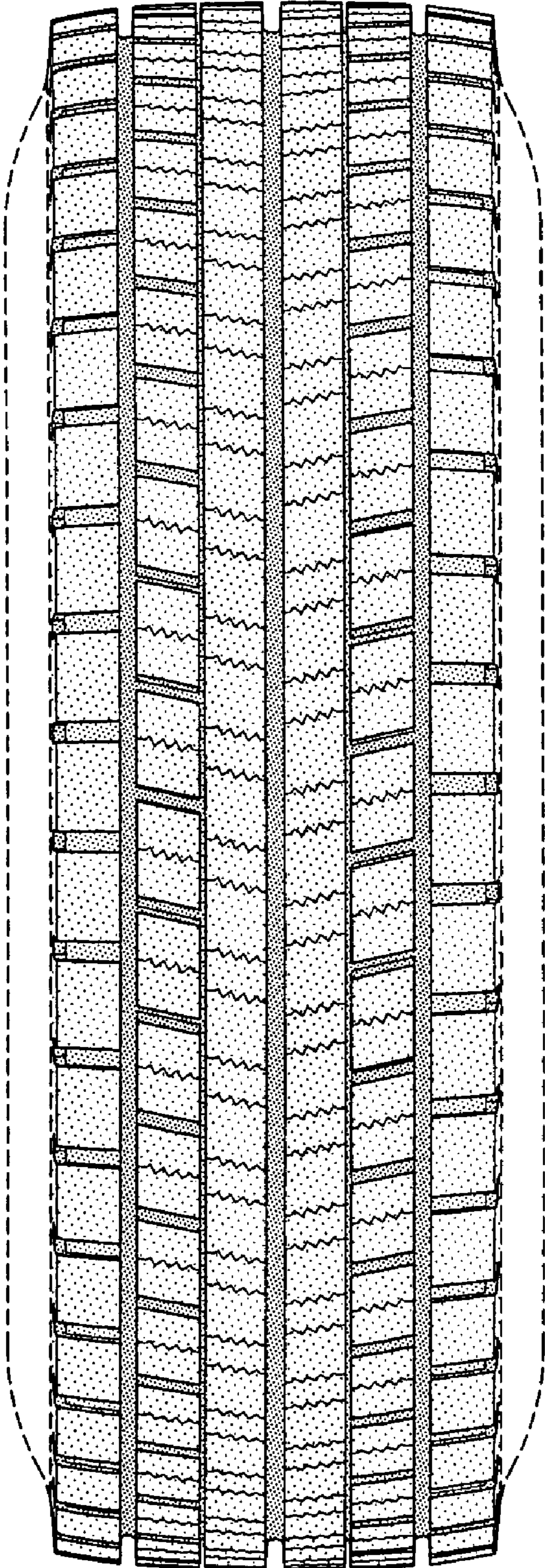


FIG-2

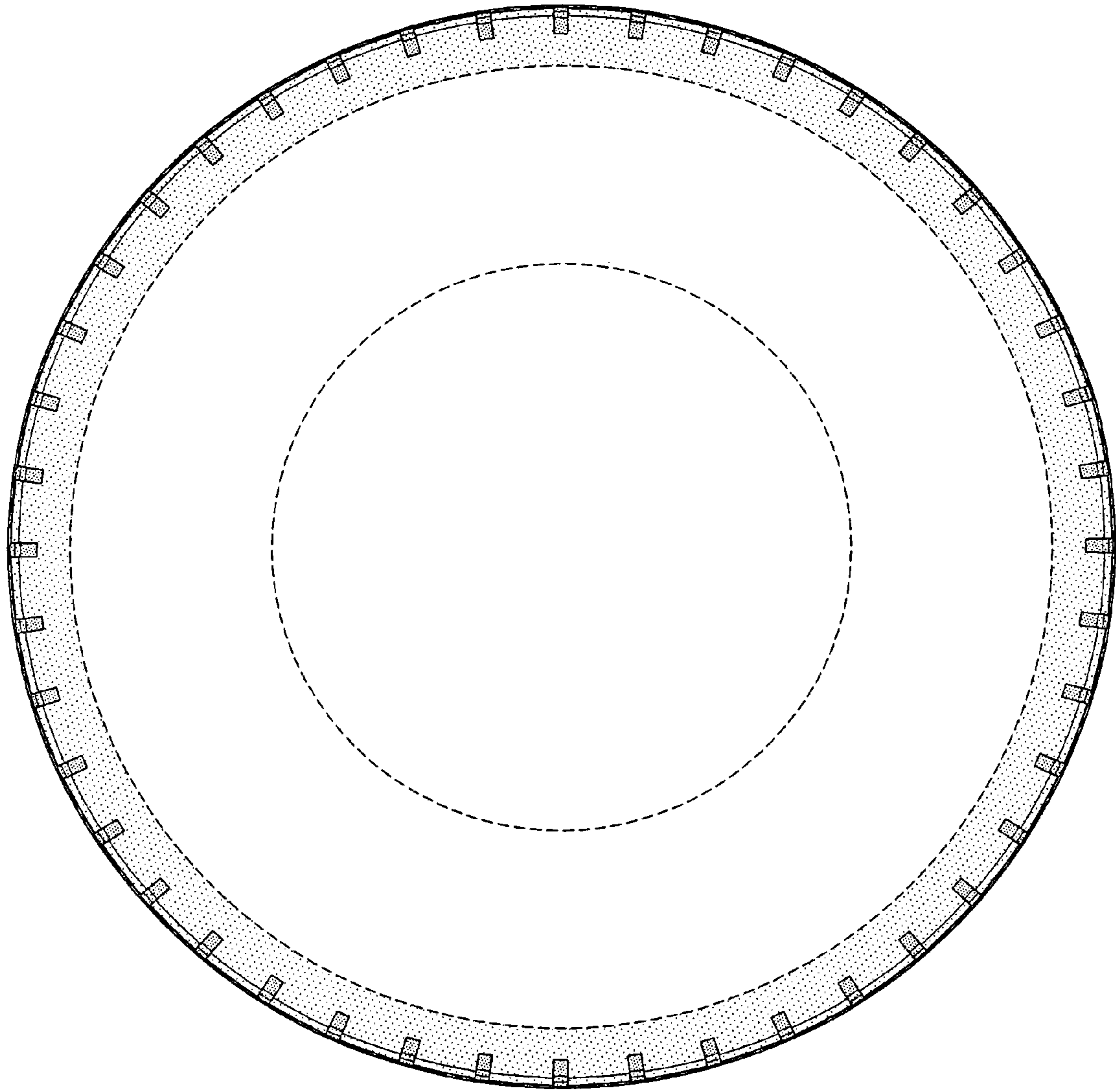


FIG-3

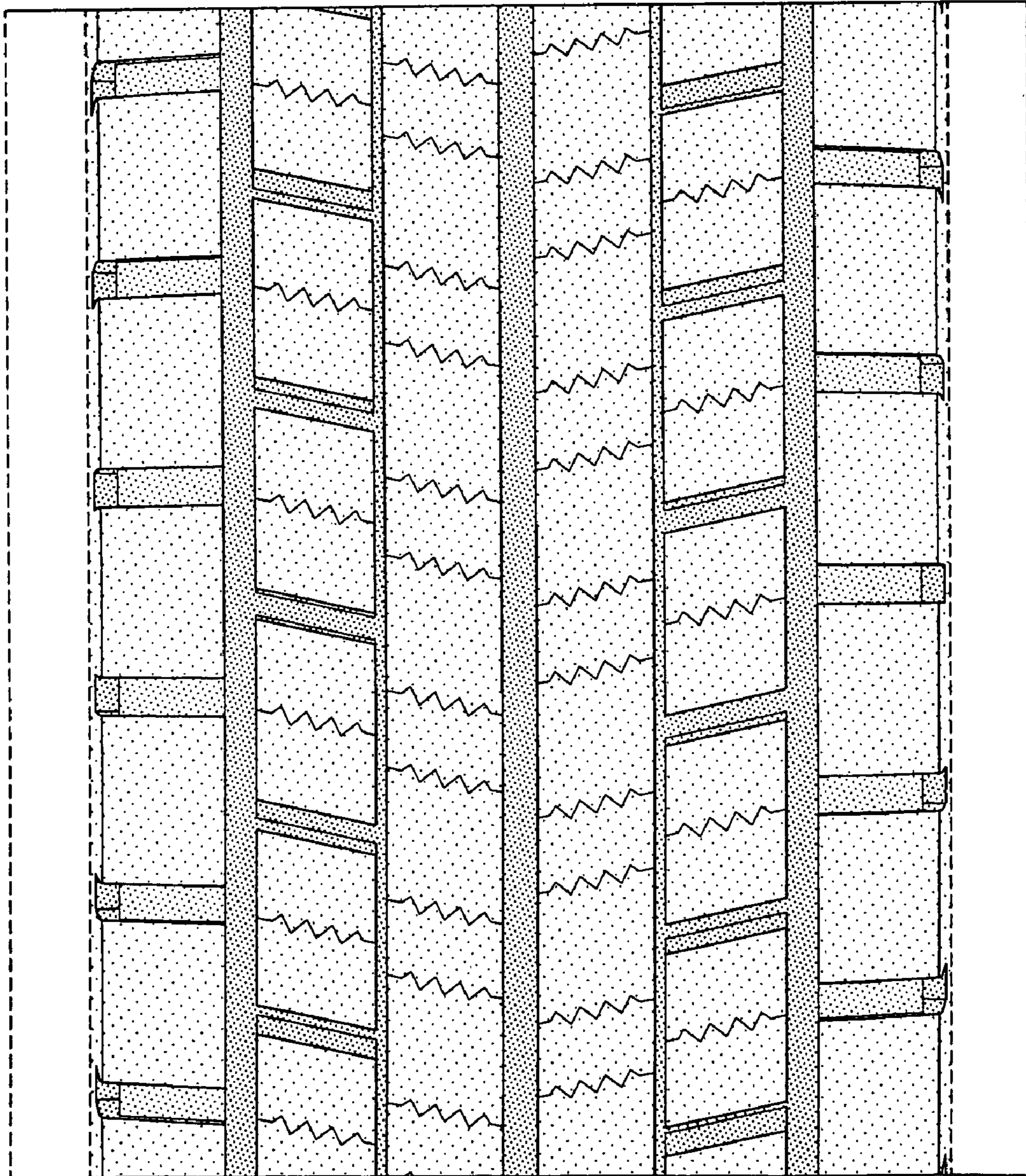


FIG-4