



US00D584213S

(12) **United States Design Patent**
Shinkai

(10) **Patent No.:** **US D584,213 S**
(45) **Date of Patent:** **** Jan. 6, 2009**

(54) **AUTOMOBILE TIRE**

(75) Inventor: **Akihiko Shinkai**, Osaka (JP)

(73) Assignee: **Toyo Tire & Rubber Co., Ltd.**, Osaka (JP)

(**) Term: **14 Years**

(21) Appl. No.: **29/306,232**

(22) Filed: **Apr. 4, 2008**

(30) **Foreign Application Priority Data**

Feb. 28, 2008 (JP) 2008-007253

(51) **LOC (9) Cl.** **12-15**

(52) **U.S. Cl.** **D12/519**

(58) **Field of Classification Search** D12/505-532,
D12/900-901; 152/209.1, 209.8-209.18,
152/209.25-209.28, 455

See application file for complete search history.

(56) **References Cited**

U.S. PATENT DOCUMENTS

- D423,422 S * 4/2000 Selover et al. D12/523
- D439,870 S * 4/2001 Lovell et al. D12/519
- D490,045 S * 5/2004 Delu et al. D12/519
- D515,019 S * 2/2006 Umstot et al. D12/519
- D524,233 S * 7/2006 Marazzi et al. D12/521
- D551,156 S * 9/2007 Shinohara et al. D12/521
- D561,682 S * 2/2008 Ohki D12/519
- D561,683 S * 2/2008 Kiwaki D12/519

D571,281 S * 6/2008 Murata et al. D12/519

FOREIGN PATENT DOCUMENTS

DE D00065442-0002 A1 2/2007
JP D1246050 S 6/2005

* cited by examiner

Primary Examiner—Stacia Cadmus

(74) *Attorney, Agent, or Firm*—Westerman, Hattori, Daniels & Adrian, LLP.

(57) **CLAIM**

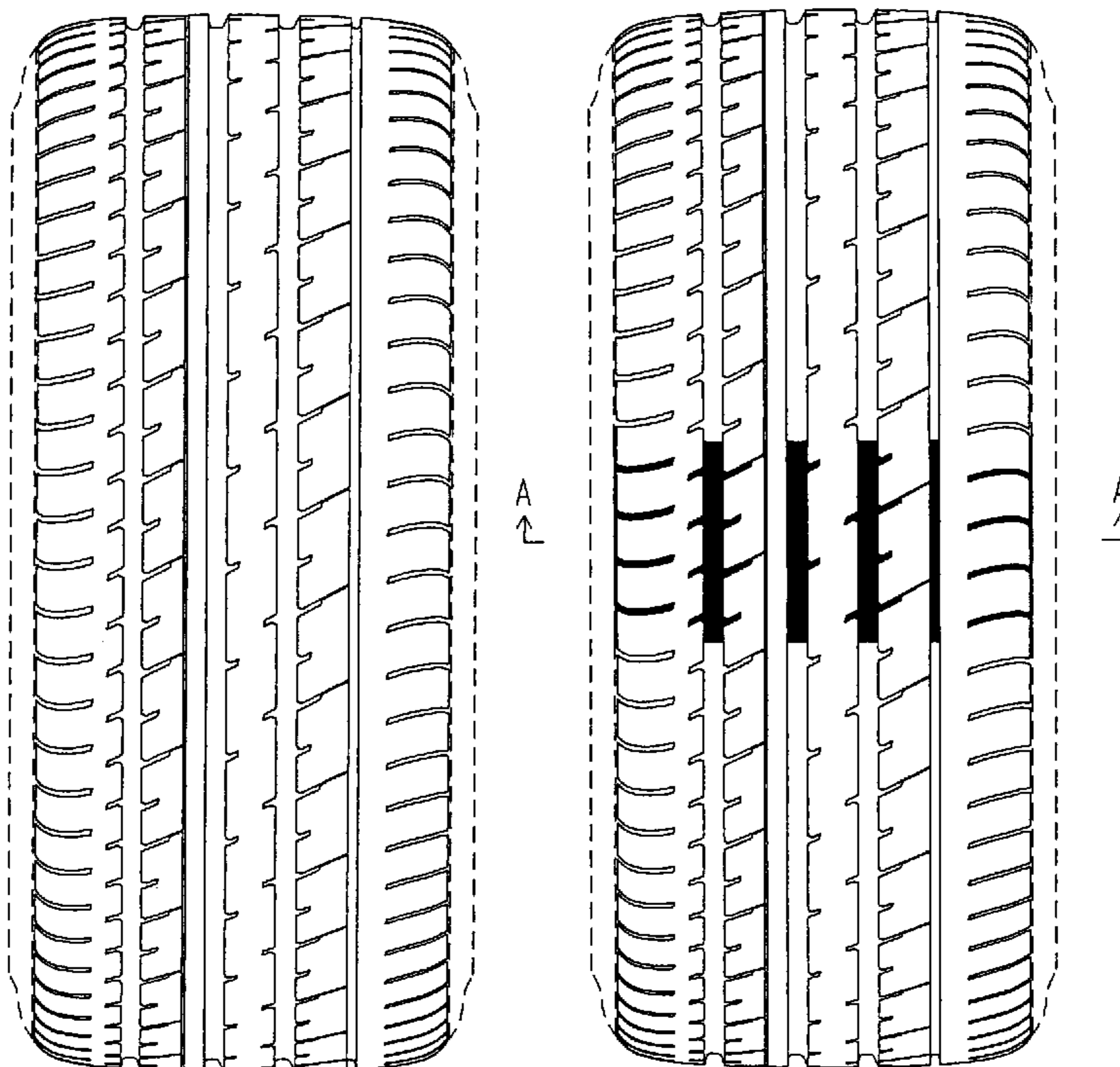
The ornamental design for an automobile tire, as shown and described.

DESCRIPTION

FIG. 1 is a front view of the automobile tire;
 FIG. 2 is a rear view of the automobile tire;
 FIG. 3 is a left-side view of the automobile tire;
 FIG. 4 is a right-side view of the automobile tire;
 FIG. 5 is a perspective view of the automobile tire;
 FIG. 6 is a reference front view; a part of its tread painted black; and,
 FIG. 7 is an enlarged cross-section view taken along the line A—A in FIG. 6.

In the drawings, the broken lines defining the sidewall, inner bead and the peripheral boundary between the claimed tire tread and the unclaimed sidewall depict environmental subject matter that forms no part of the claimed design.

1 Claim, 7 Drawing Sheets



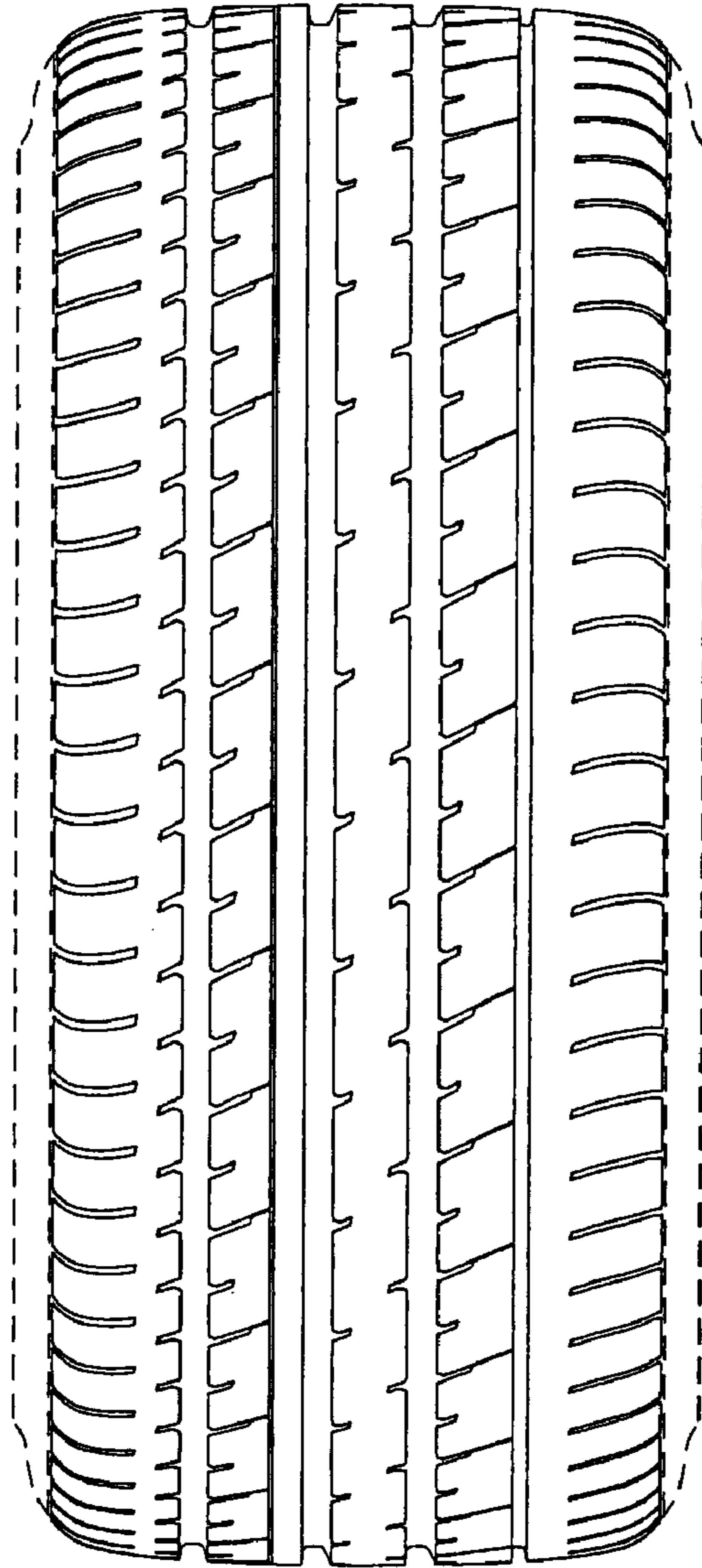


FIG.1

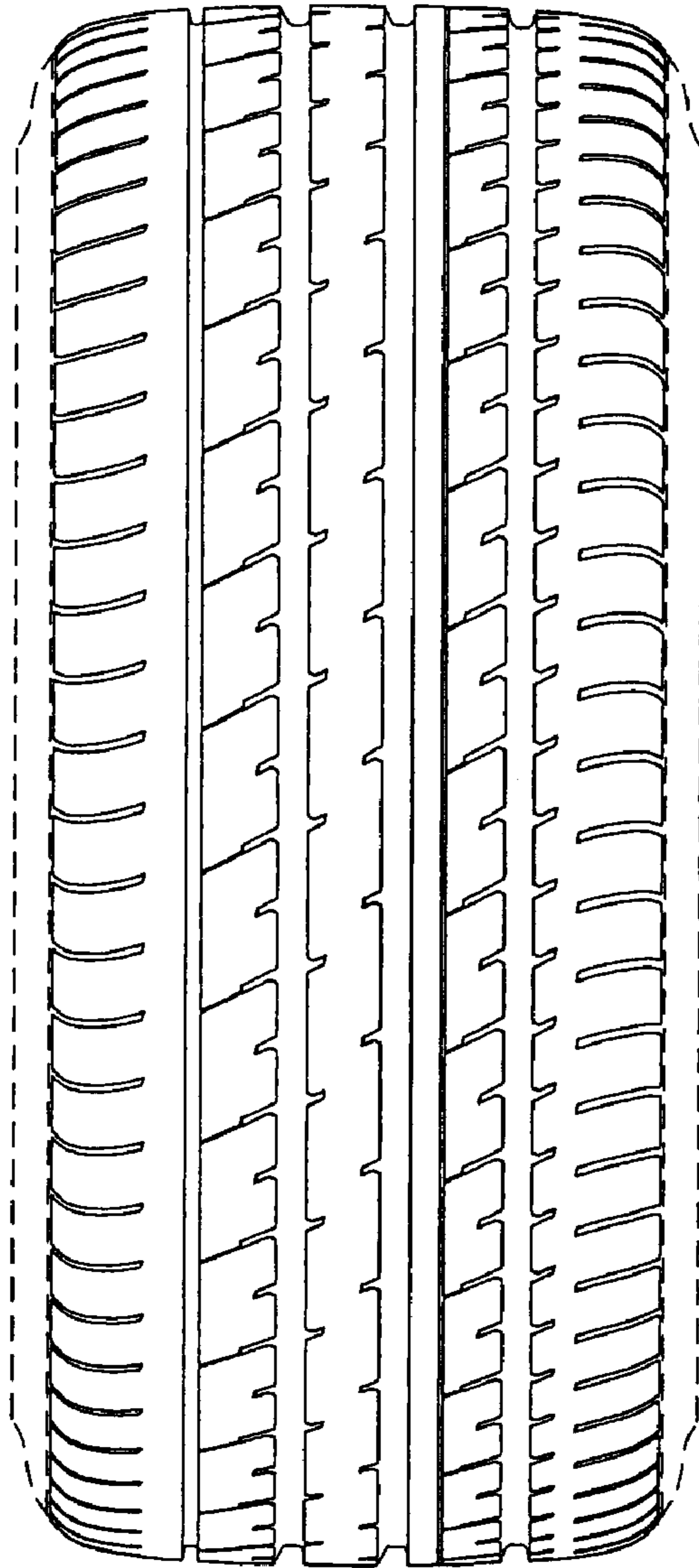


FIG.2

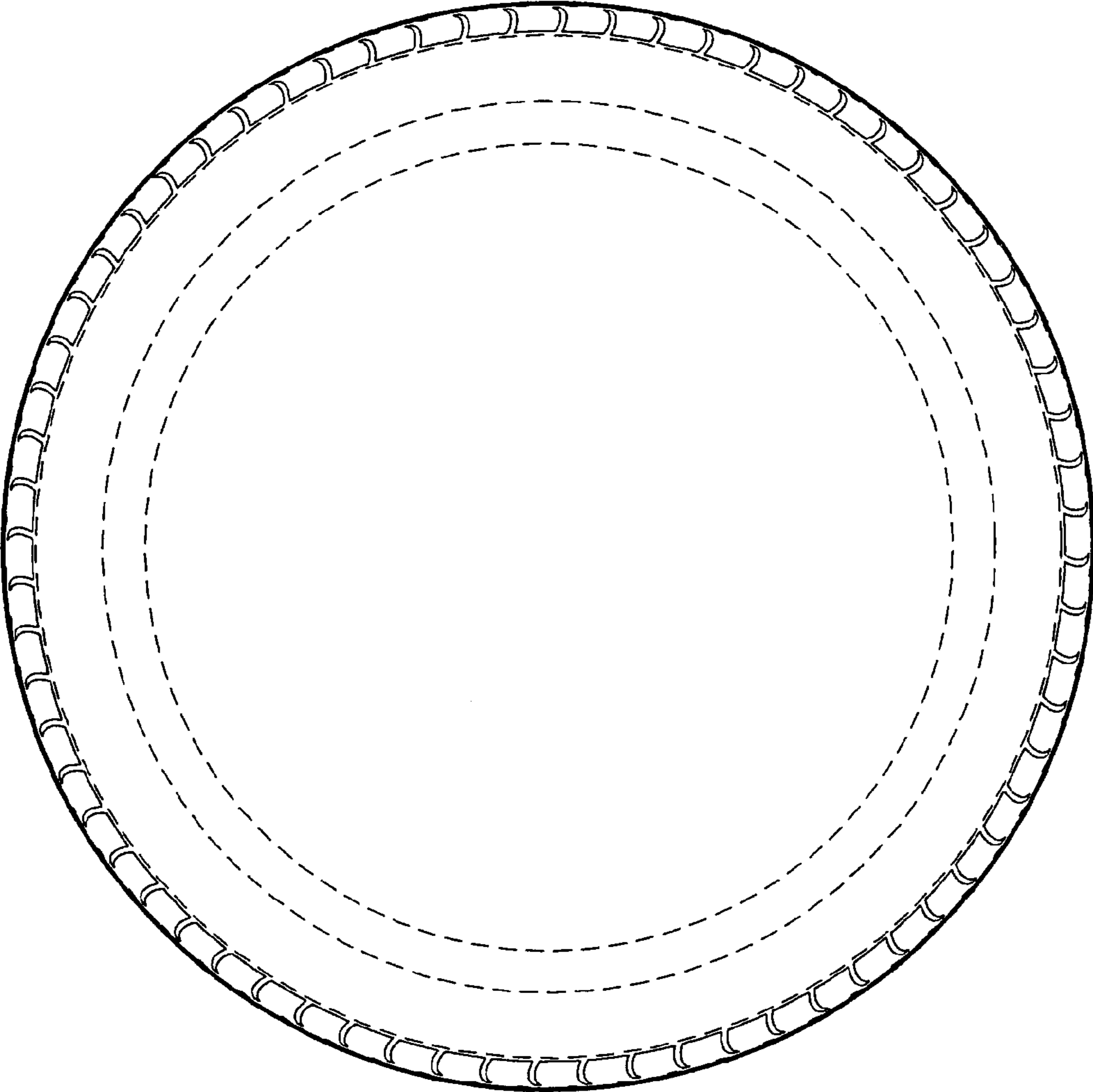


FIG.3

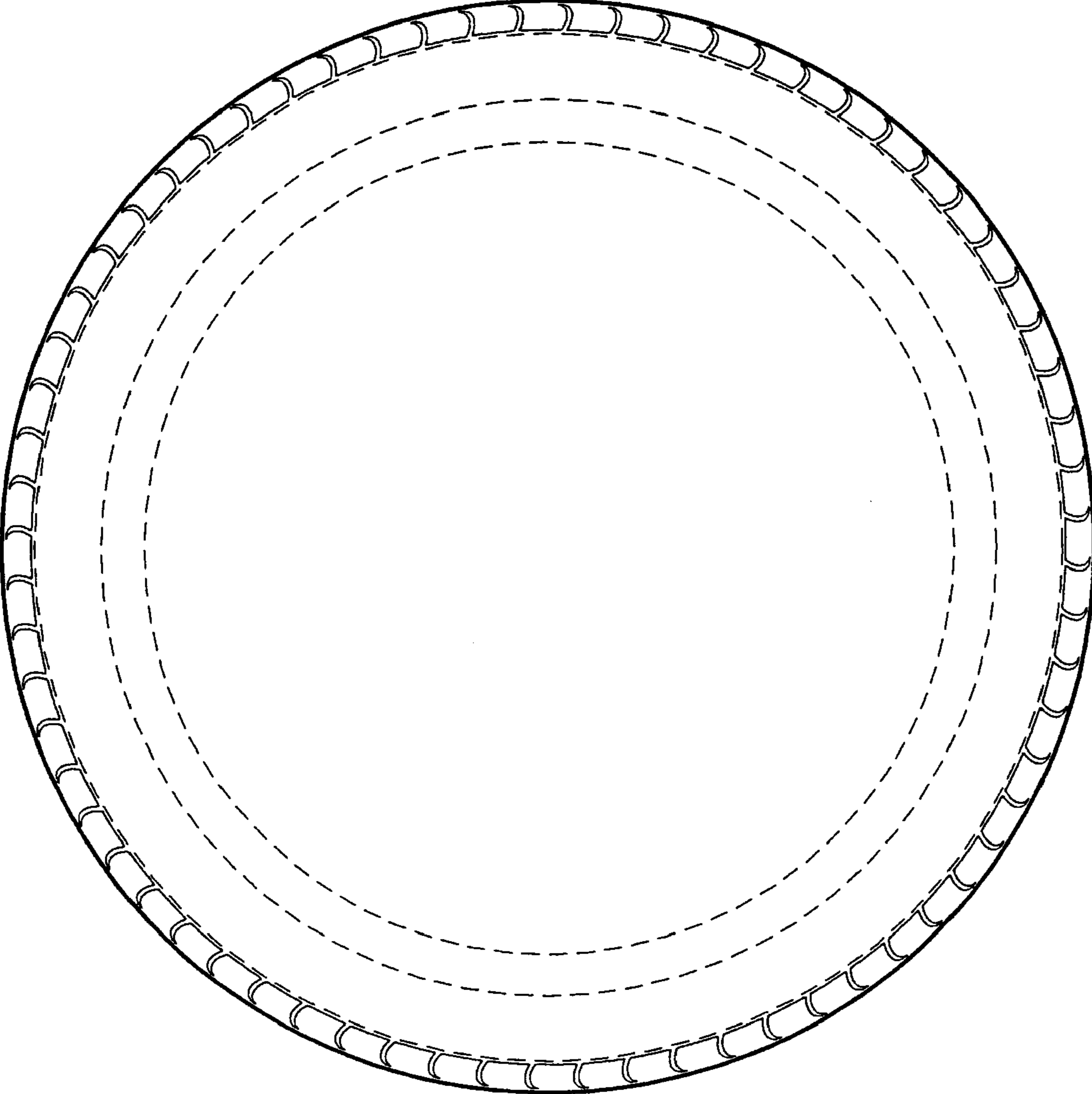


FIG.4

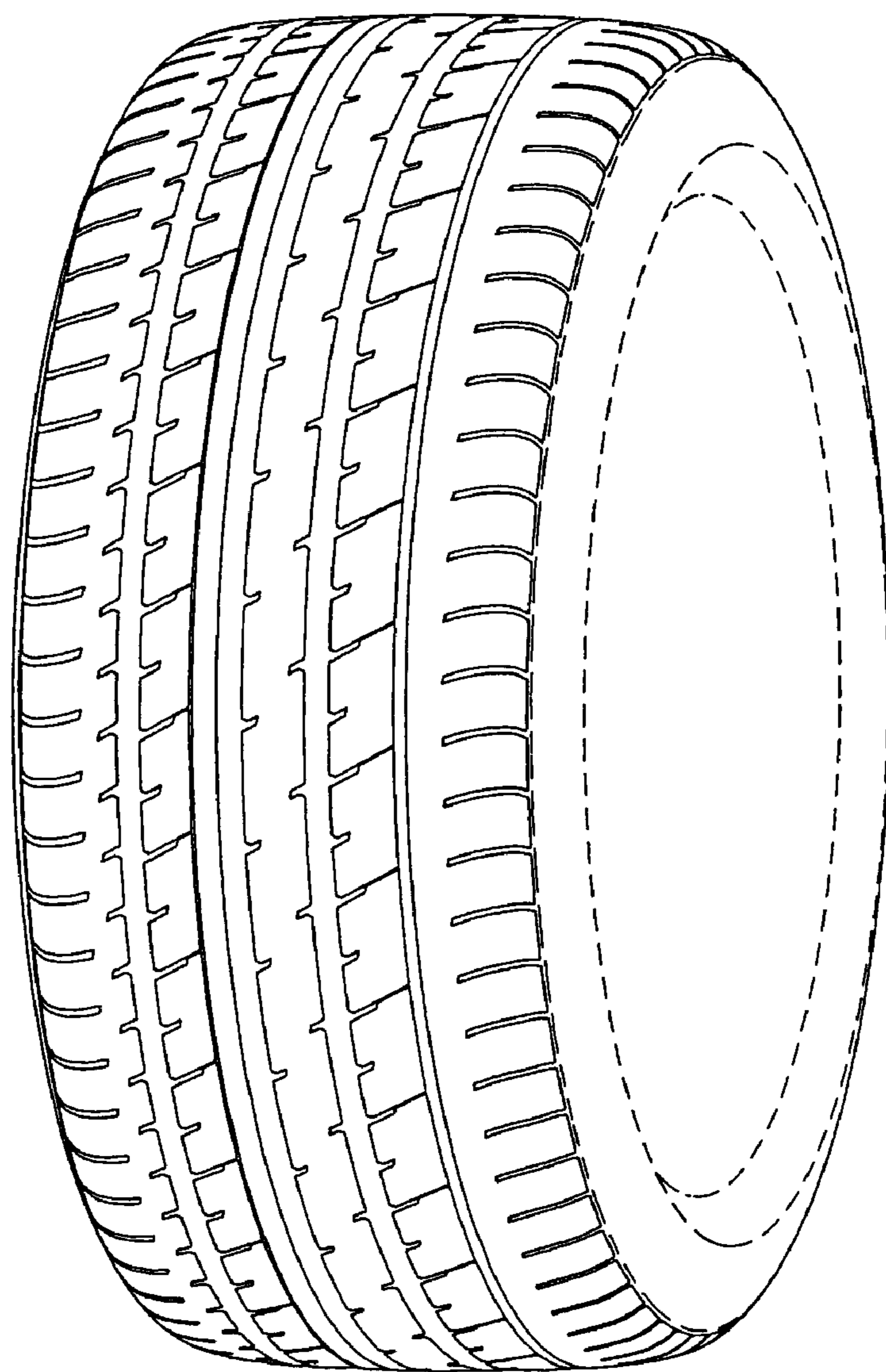


FIG.5

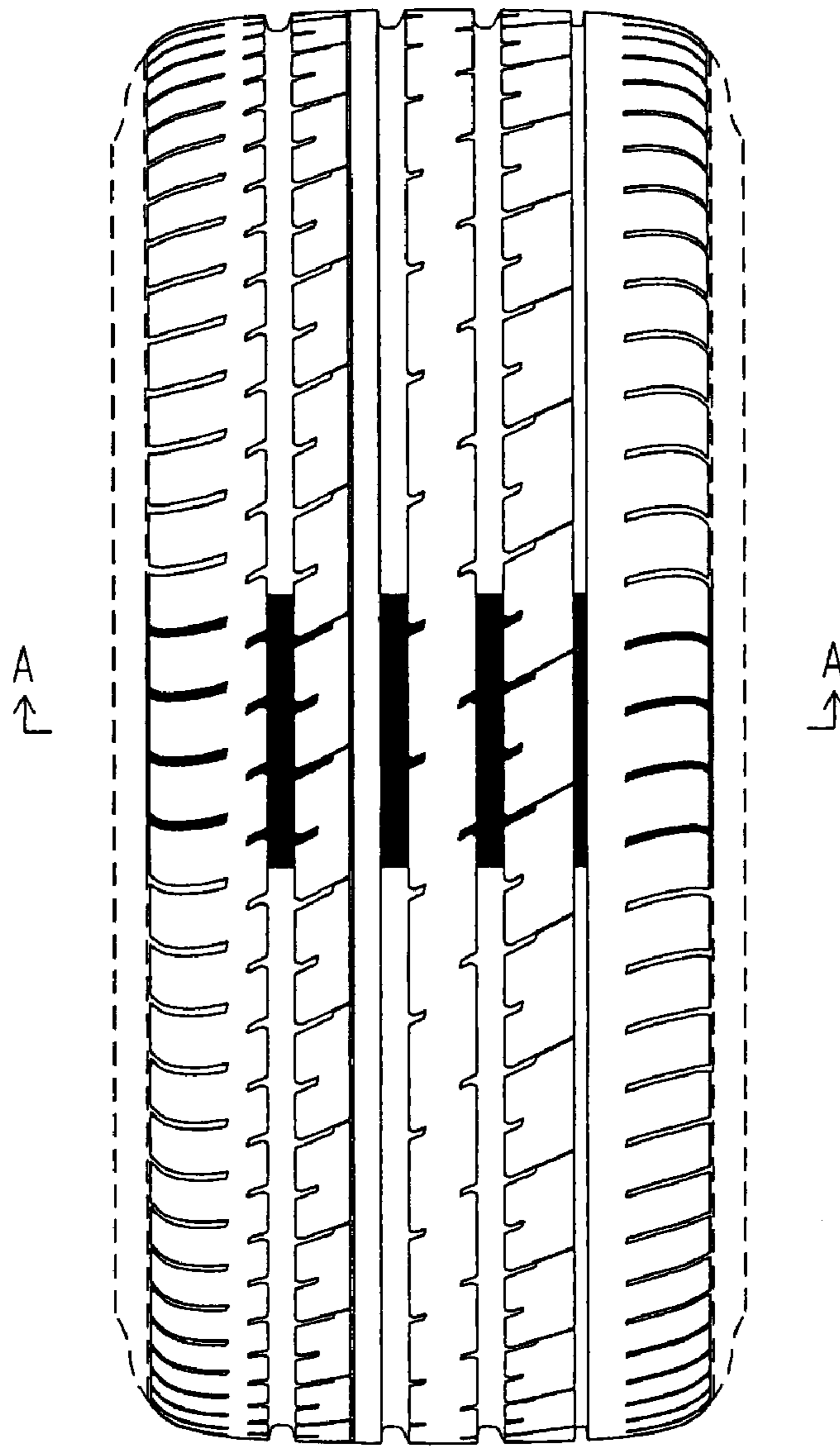


FIG. 6

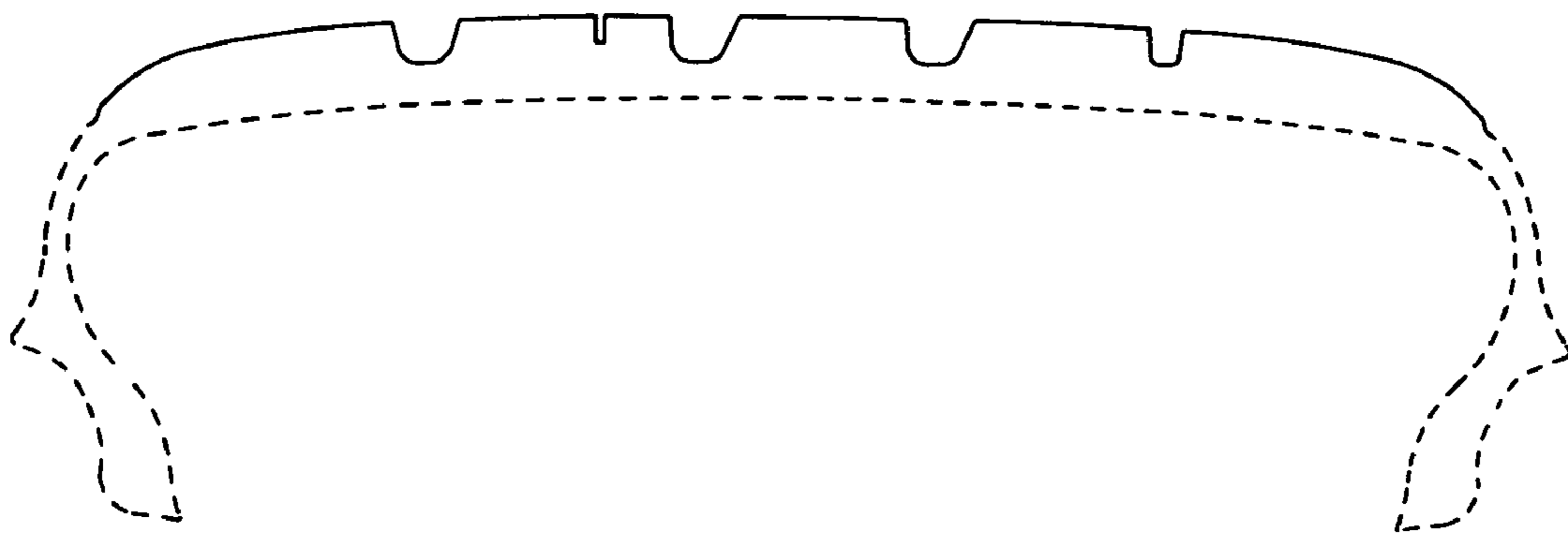


FIG. 7