



US00D584209S

(12) **United States Design Patent**
Klimas

(10) **Patent No.:** **US D584,209 S**
(45) **Date of Patent:** **** Jan. 6, 2009**

(54) **WHEEL**

(75) Inventor: **David A. Klimas**, Ramona, CA (US)

(73) Assignee: **Zodiac Pool Care, Inc.**, Moorpark, CA (US)

(**) Term: **14 Years**

(21) Appl. No.: **29/307,812**

(22) Filed: **May 14, 2008**

(51) **LOC (9) Cl.** **12-16**

(52) **U.S. Cl.** **D12/209**

(58) **Field of Classification Search** D12/204-213;
301/37.101, 64.101, 65, 64.201
See application file for complete search history.

(56) **References Cited**

U.S. PATENT DOCUMENTS

D409,546 S *	5/1999	Stark	D12/209
D414,453 S *	9/1999	Tsai	D12/209
D419,126 S *	1/2000	Hartmann, Jr.	D12/209
D430,841 S *	9/2000	Tanghetti	D12/209
D451,062 S *	11/2001	Yoshida	D12/209
D453,132 S *	1/2002	Chen	D12/209
D472,509 S *	4/2003	Laengerer	D12/209
D477,261 S *	7/2003	Lin	D12/209
D499,058 S *	11/2004	Iwauchi et al.	D12/209

D514,494 S *	2/2006	Scheu	D12/209
D538,731 S *	3/2007	Iwauchi et al.	D12/211

* cited by examiner

Primary Examiner—Stacia Cadmus

(74) *Attorney, Agent, or Firm*—Dean V. Russell; Michael A. Bertelson; Kilpatrick Stockton LLP

(57) **CLAIM**

The ornamental design for a wheel, as shown and described.

DESCRIPTION

FIG. 1 shows a perspective view of a wheel according to the present invention.

FIG. 2 shows a front view of the wheel of FIG. 1.

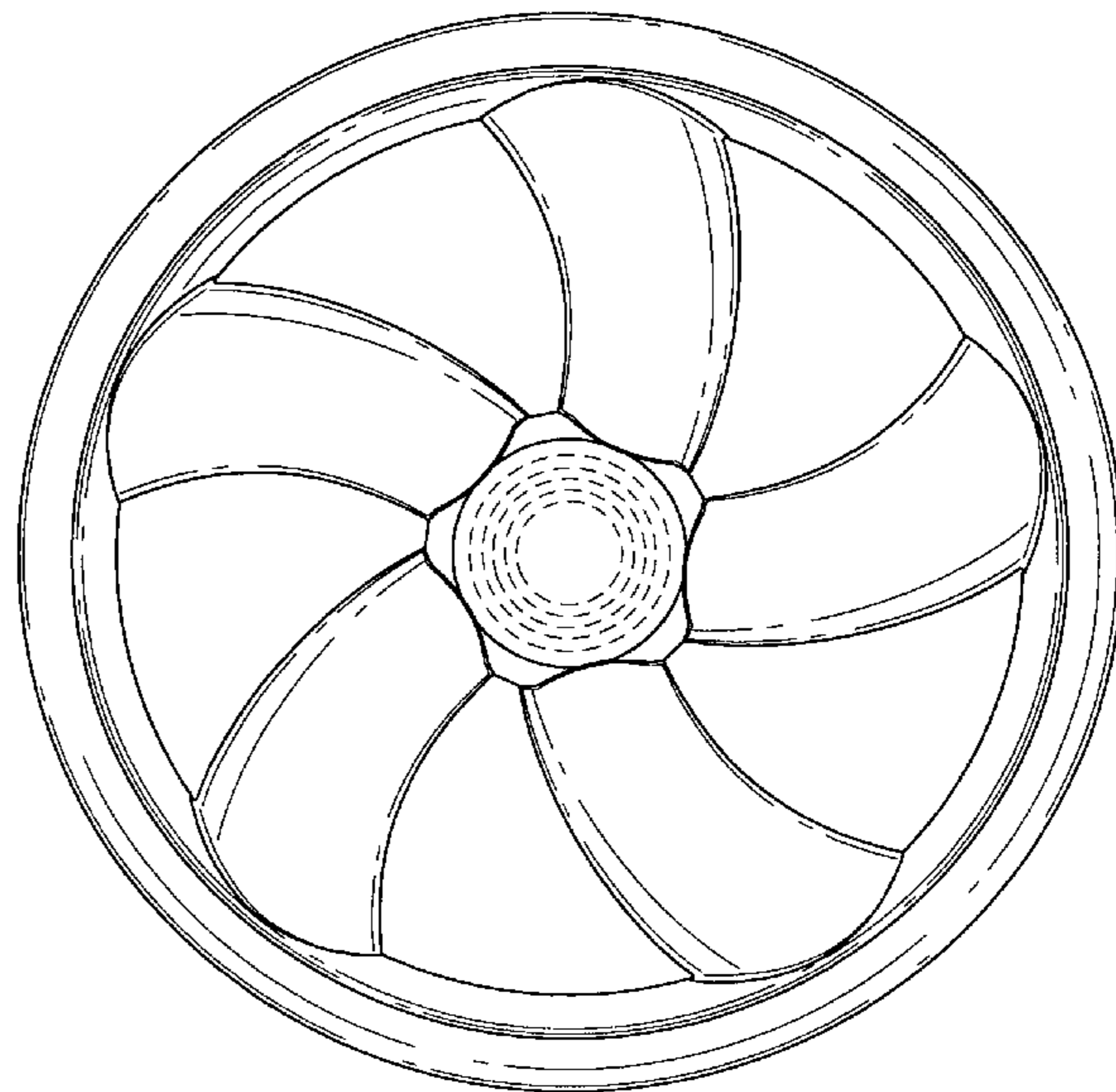
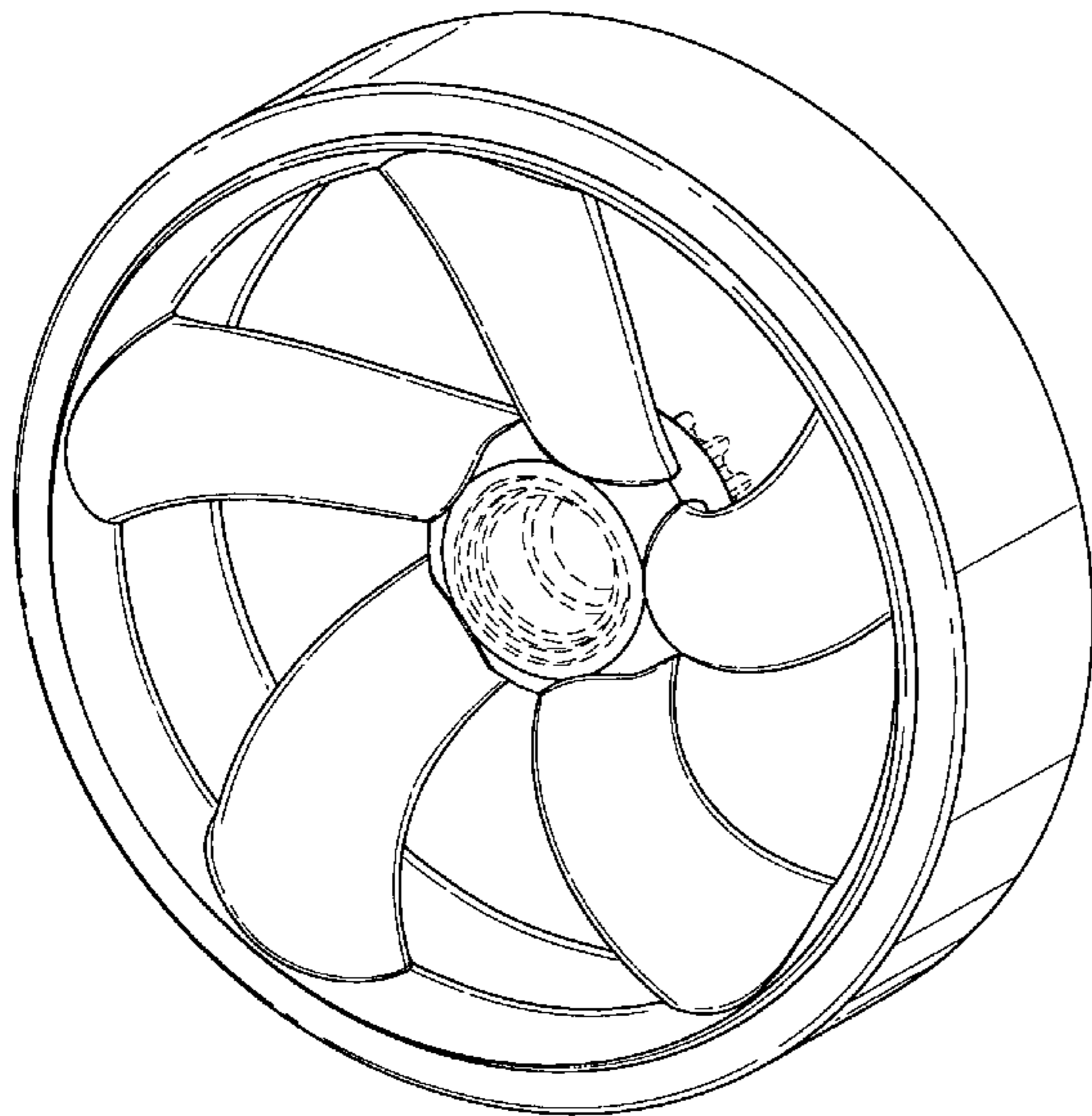
FIG. 3 shows another perspective view of the wheel of FIG. 1.

FIG. 4 shows a rear view of the wheel of FIG. 1; and,

FIG. 5 shows a top view of the wheel of FIG. 1, the bottom, left and right side views being substantially identical to the top view.

Portions or features of the wheel not shown in the drawings form no part of the claimed design. Portions or features of the wheel shown in broken lines form no part of the claimed design.

1 Claim, 5 Drawing Sheets



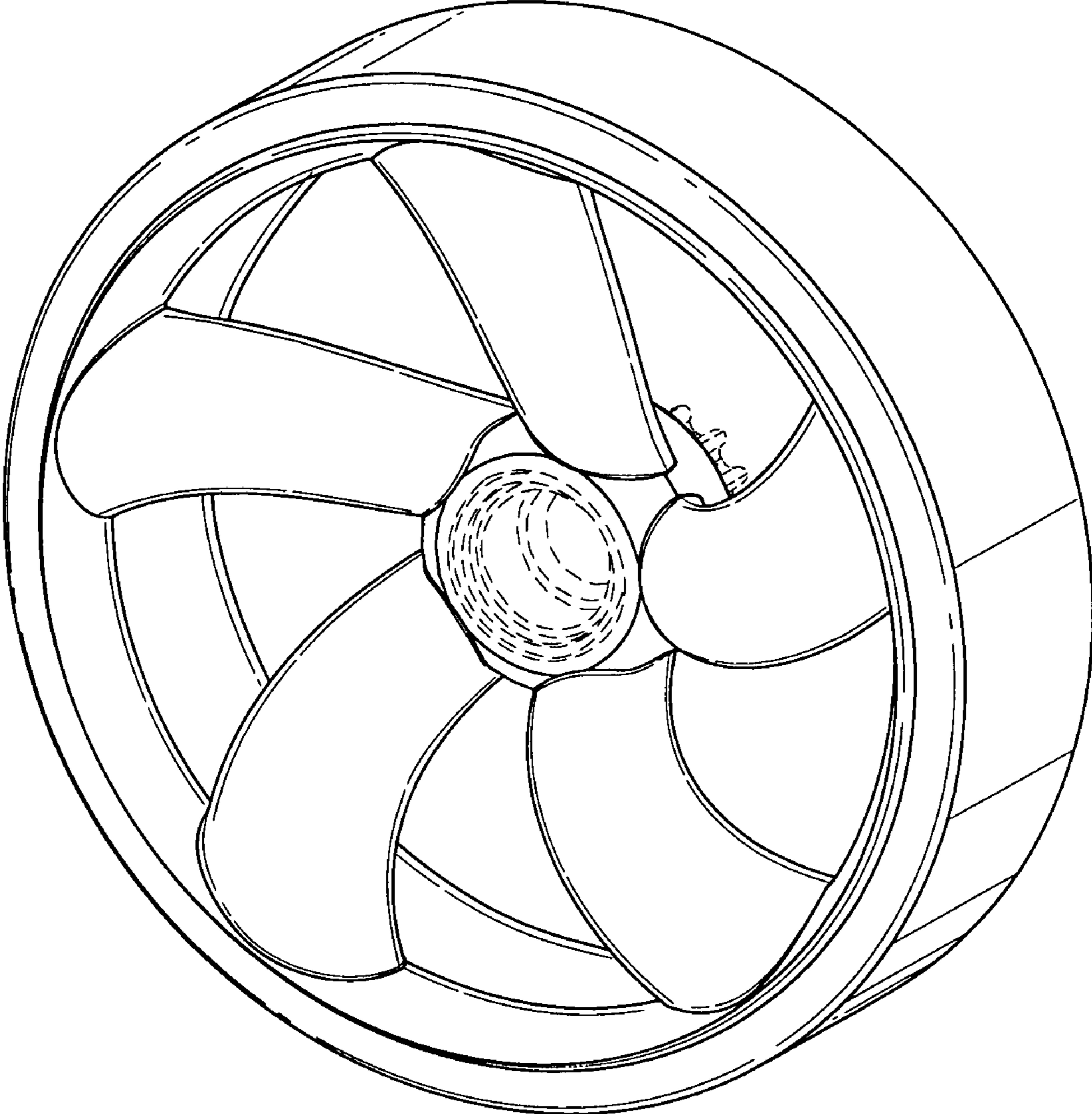


FIG. 1

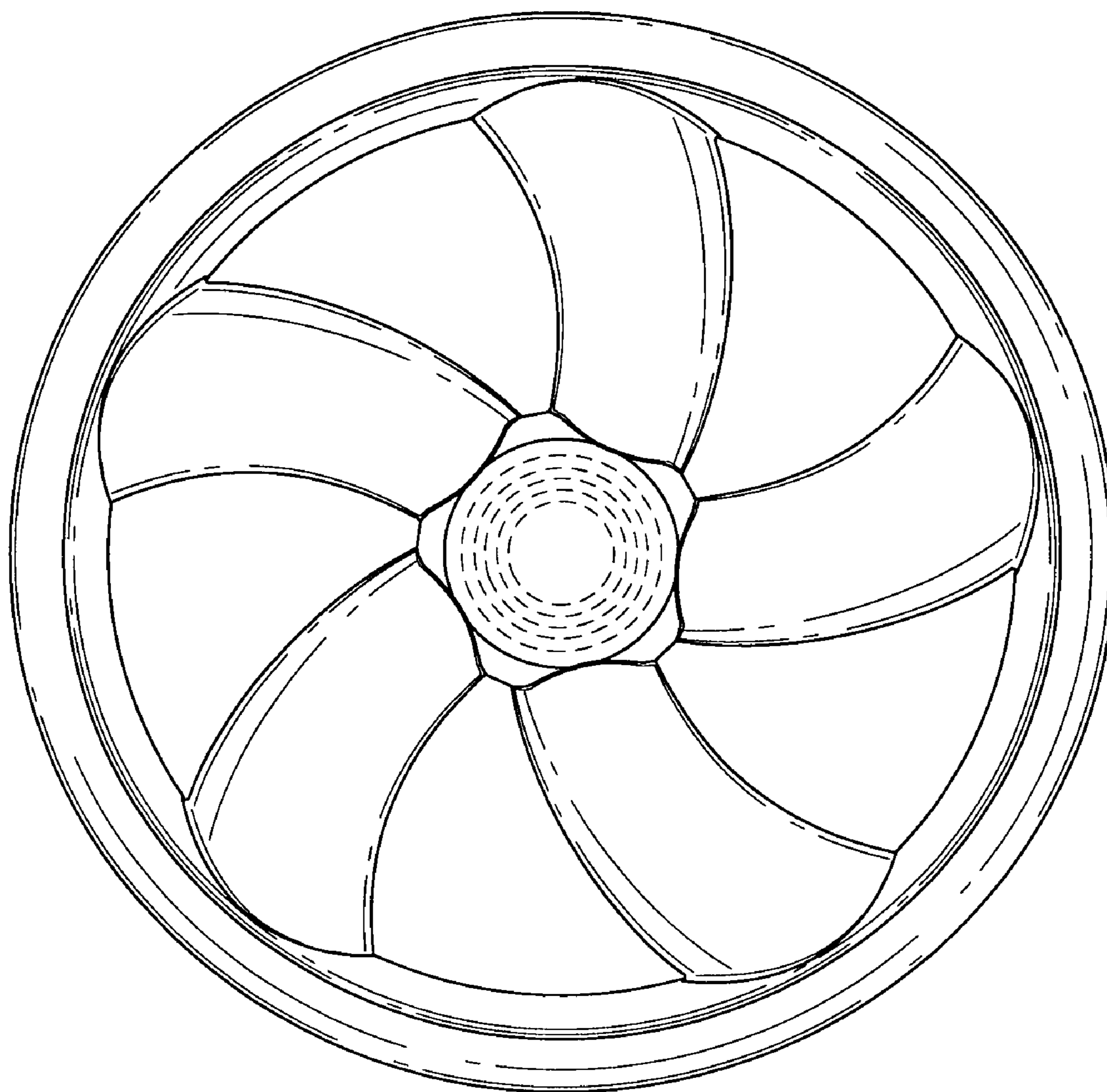


FIG. 2

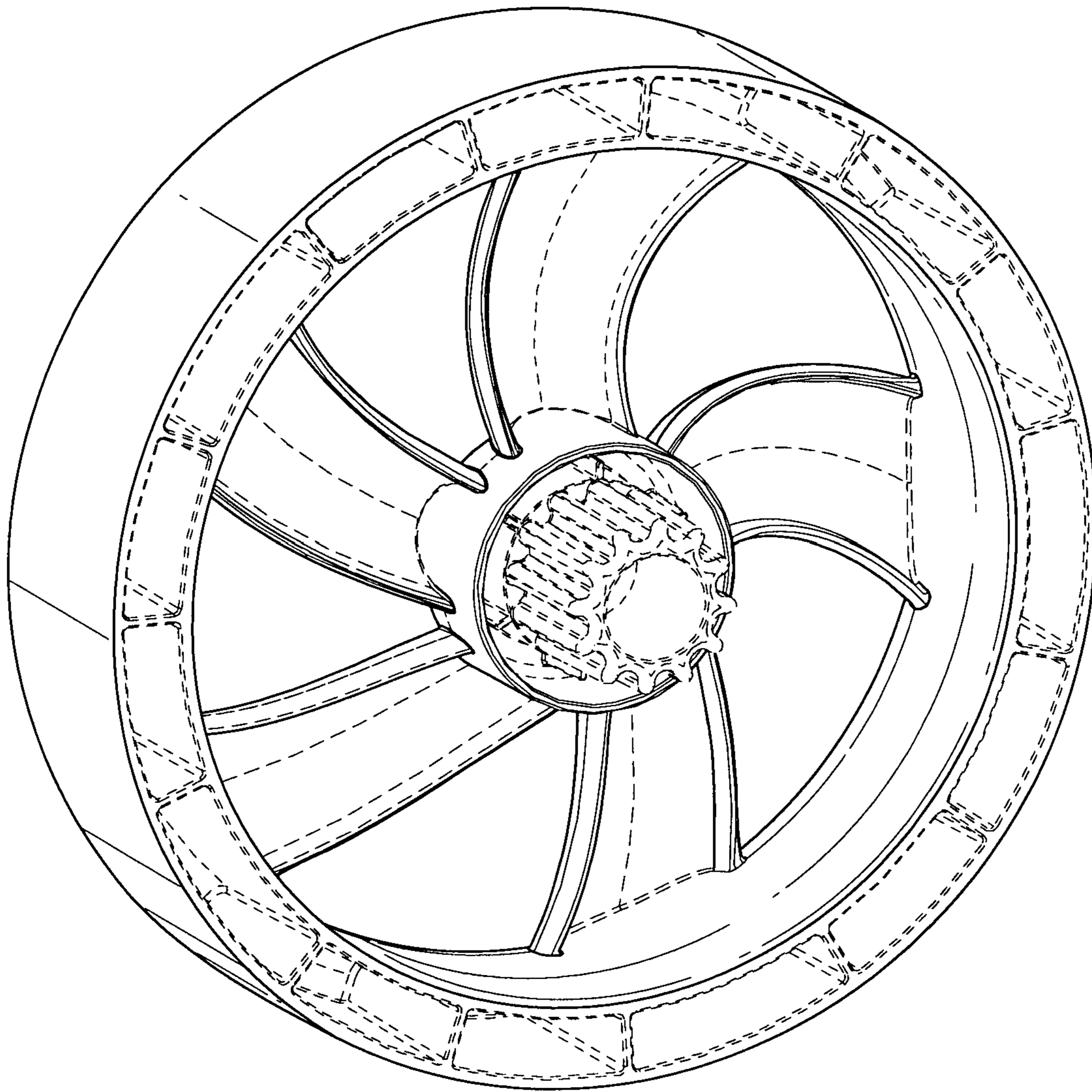


FIG. 3

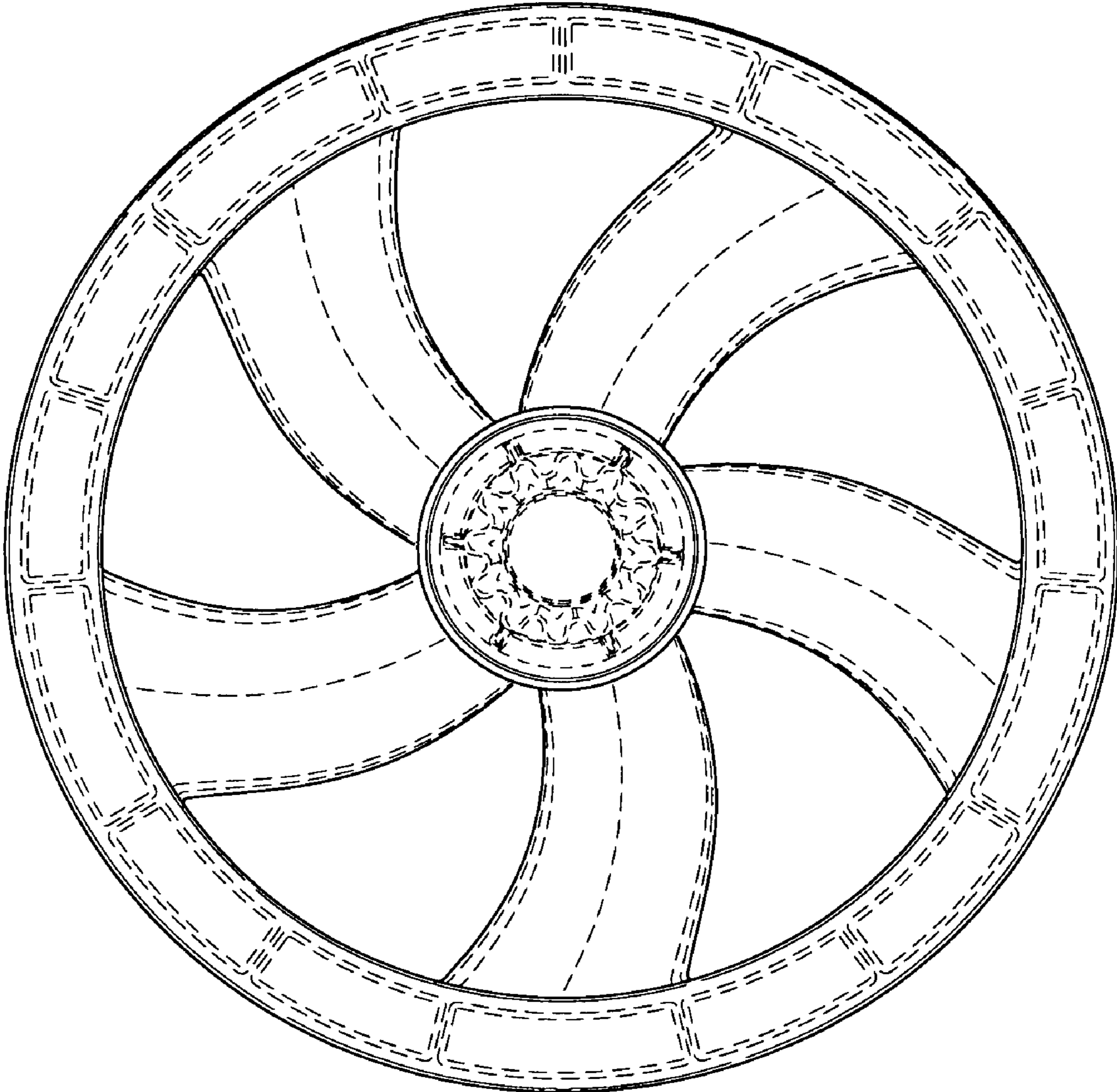


FIG. 4

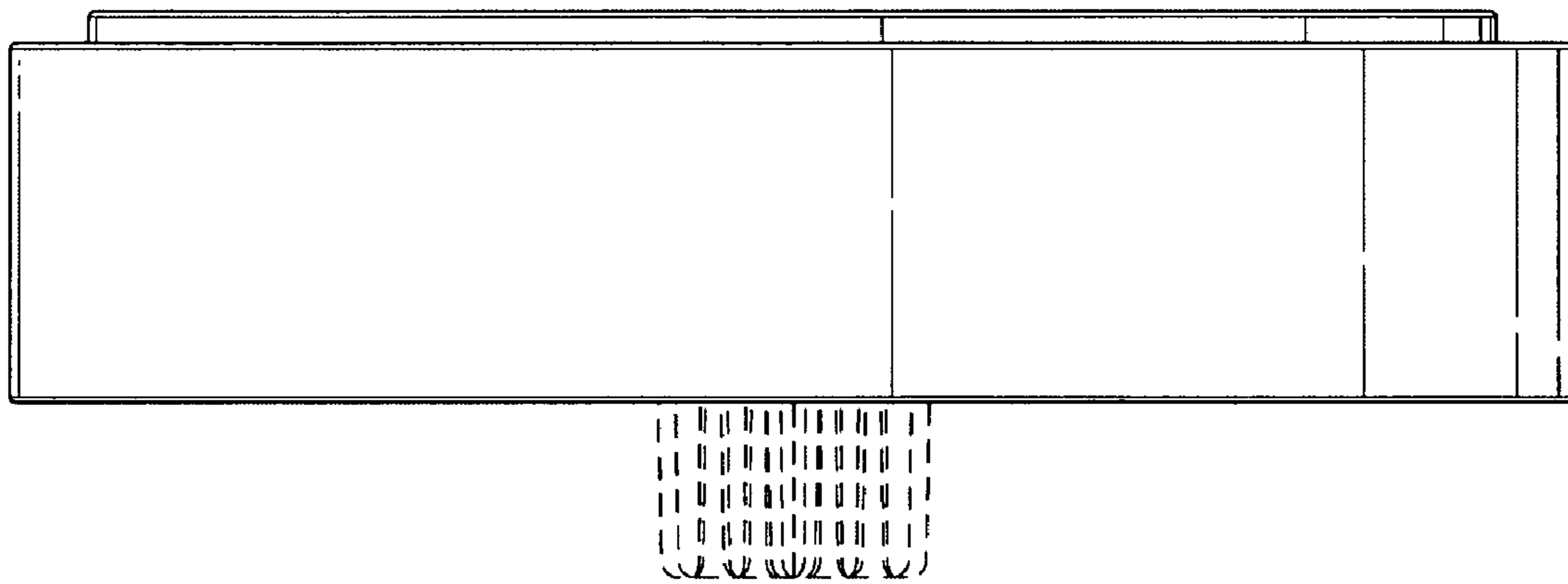


FIG. 5