



US00D584199S

(12) **United States Design Patent**
Leclercq

(10) **Patent No.:** **US D584,199 S**
(45) **Date of Patent:** **** Jan. 6, 2009**

(54) **REAR BUMPER FOR A VEHICLE**
(75) Inventor: **Pierre Leclercq**, Munich (DE)
(73) Assignee: **Bayerische Motoren Werke Aktiengesellschaft**, Munich (DE)
(**) Term: **14 Years**
(21) Appl. No.: **29/294,014**
(22) Filed: **Dec. 21, 2007**

(30) **Foreign Application Priority Data**
Jun. 27, 2007 (DE) 4 07 03 309
(51) **LOC (9) Cl.** **12-16**
(52) **U.S. Cl.** **D12/169**
(58) **Field of Classification Search** D12/169,
D12/196, 171, 163, 216, 90-92, 86; 293/102,
293/113, 115, 117, 120; 296/180.1, 180.2
See application file for complete search history.

(56) **References Cited**
U.S. PATENT DOCUMENTS
D472,856 S * 4/2003 Oishi et al. D12/169
D475,958 S * 6/2003 Yokomaku D12/196
D479,822 S * 9/2003 Yokomaku D12/196
D492,627 S * 7/2004 Metros et al. D12/169
D492,628 S * 7/2004 Bond et al. D12/169
D494,898 S * 8/2004 Metros et al. D12/169
D497,577 S * 10/2004 Metros et al. D12/169

D509,777 S * 9/2005 Hakamata D12/169
D534,462 S * 1/2007 Hiruta et al. D12/169
D546,738 S * 7/2007 Kulla D12/169
D560,574 S * 1/2008 Okamoto et al. D12/169
D570,750 S * 6/2008 Sato et al. D12/169

* cited by examiner
Primary Examiner—Melody N Brown
(74) *Attorney, Agent, or Firm*—Crowell & Moring LLP

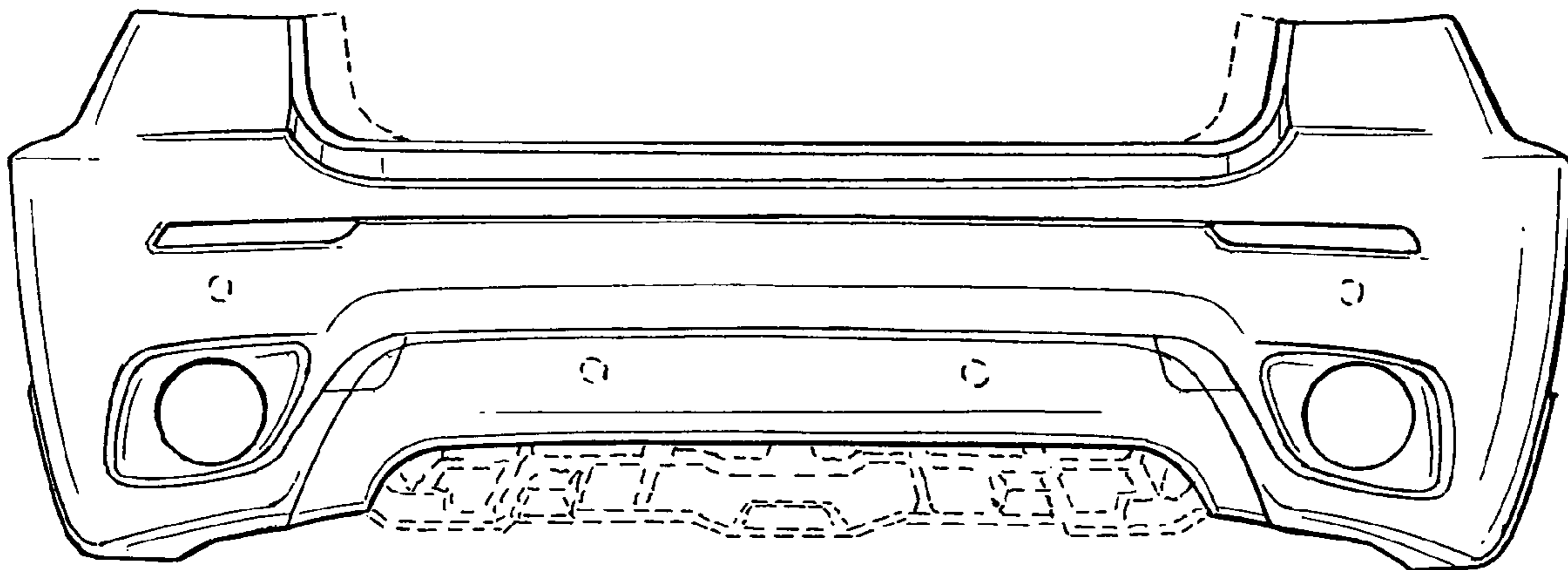
(57) **CLAIM**

The ornamental design for a rear bumper for a vehicle, as shown and described.

DESCRIPTION

This application is related to the following co-pending application: Application Ser. No. 29/294,059, entitled “Vehicle, Toy, or Likeness Thereof”.
FIG. 1 is a left perspective view of a rear bumper for a vehicle according to my novel design, the right perspective view being mirror symmetrical;
FIG. 2 is a front view thereof;
FIG. 3 is a left side view thereof; and,
FIG. 4 is a right side view thereof.
The broken lines are for illustrative purposes only and form no part of the claimed design. Also enclosed is a set of photographs of an embodiment of the invention.

1 Claim, 2 Drawing Sheets



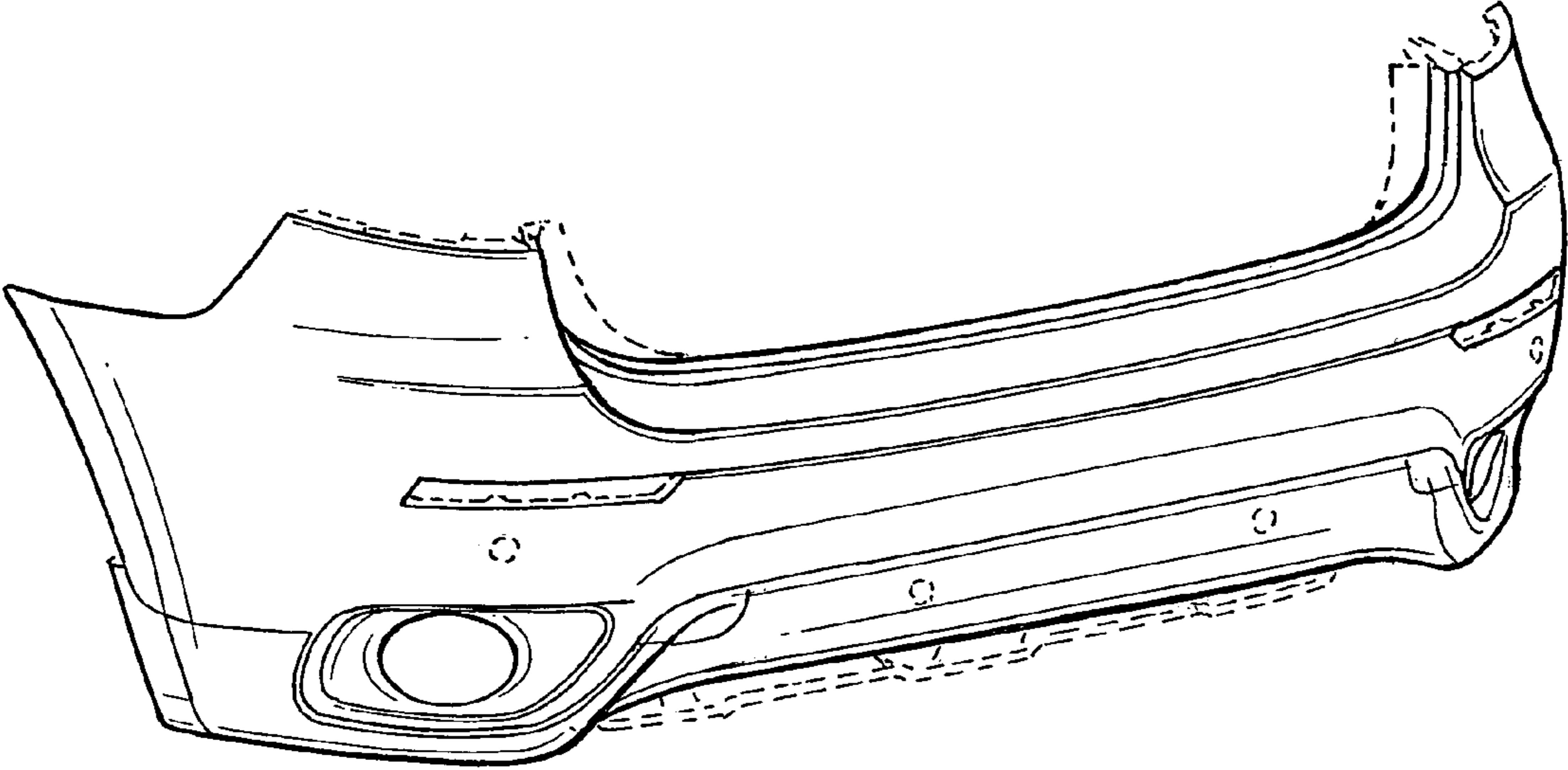


FIG. 1

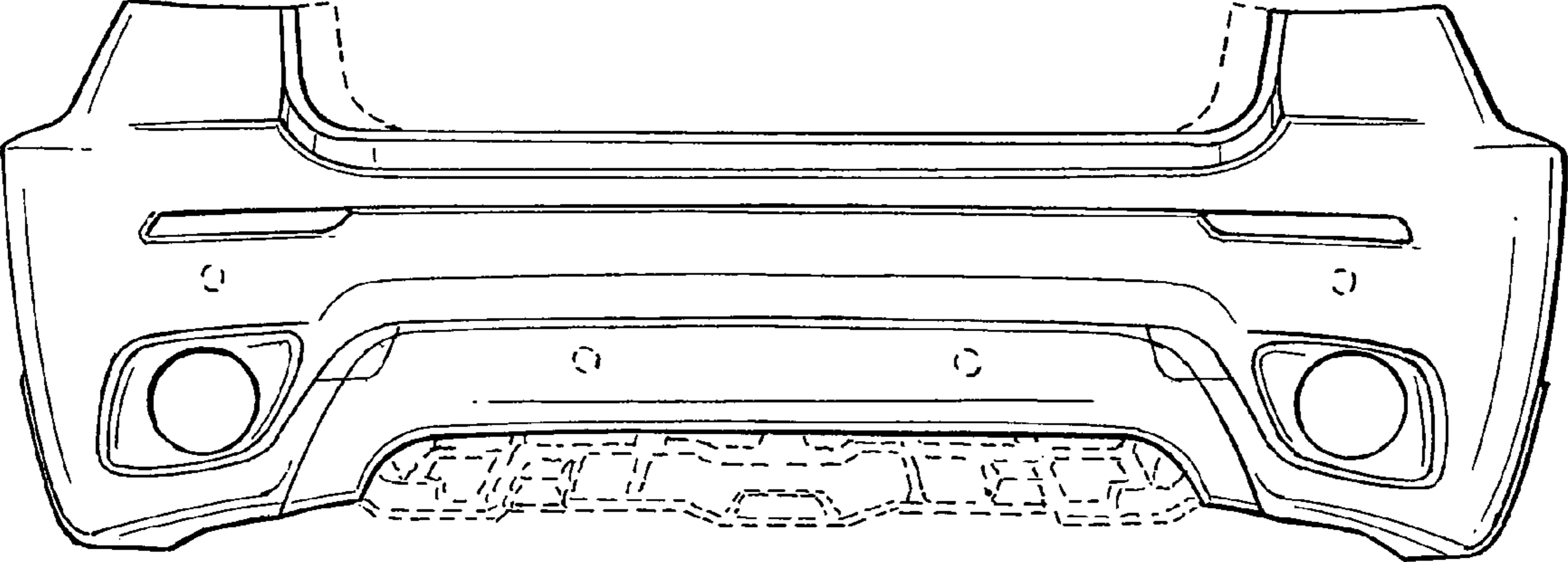


FIG. 2

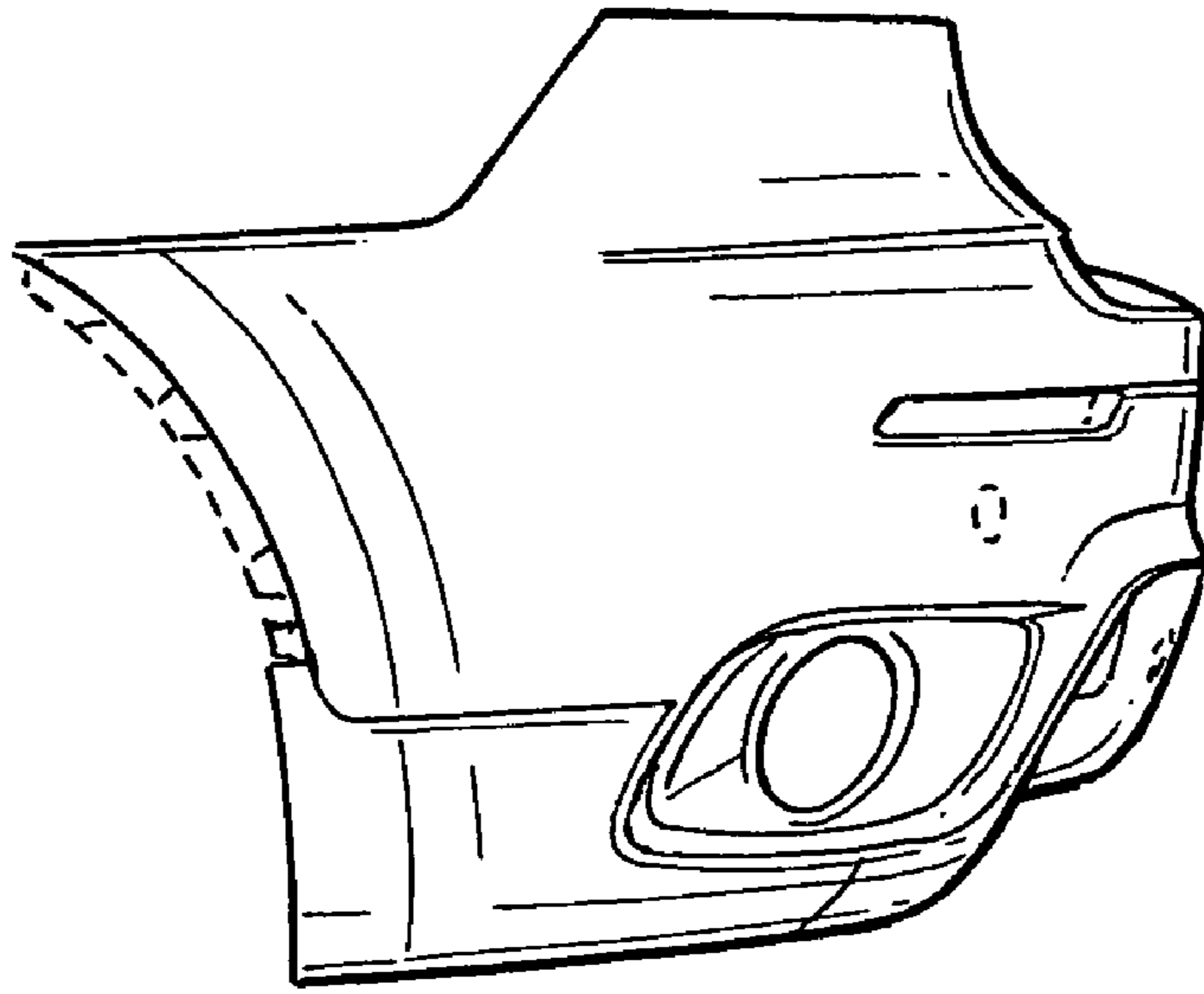


FIG. 3

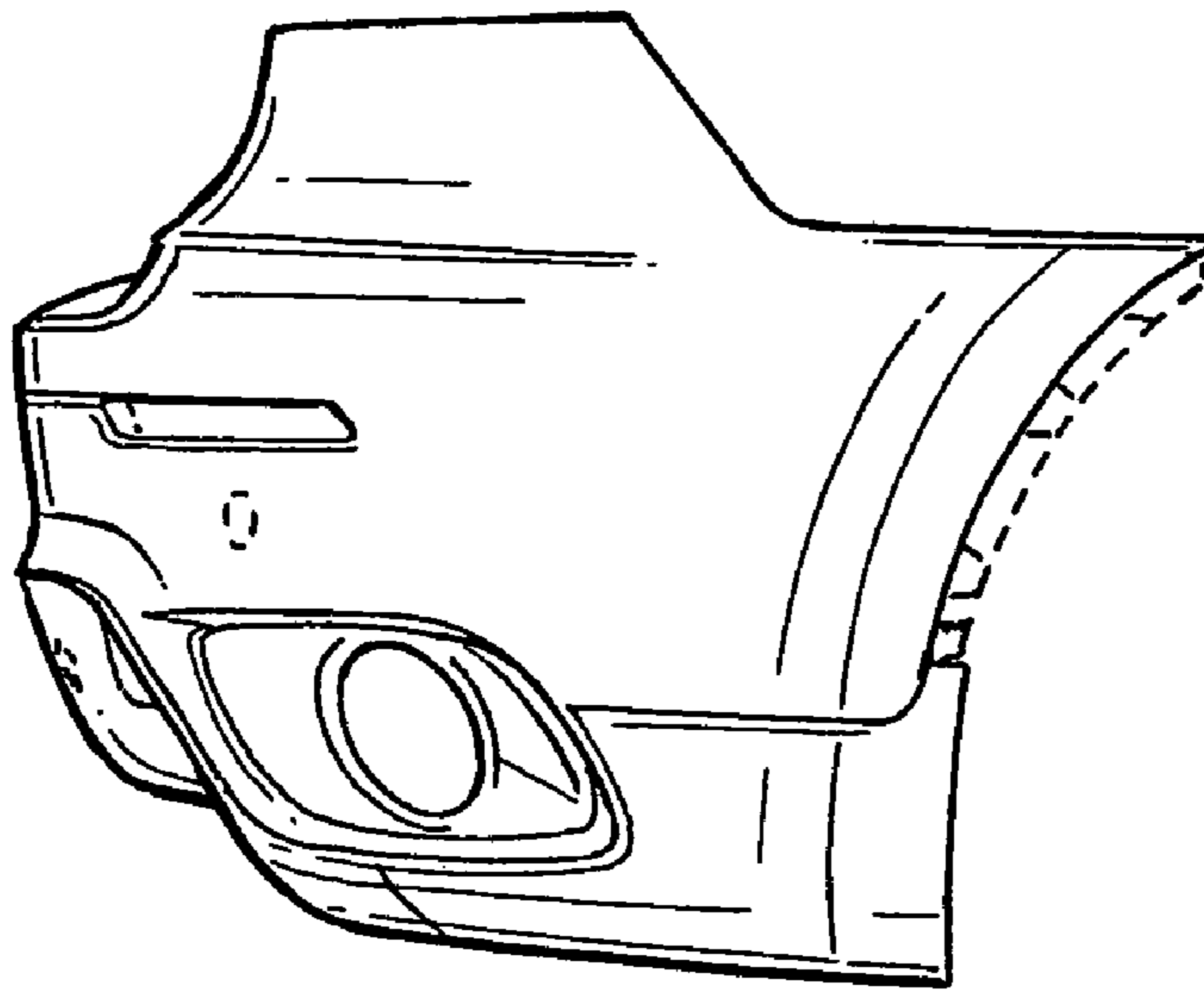


FIG. 4