



US00D584196S

(12) **United States Design Patent**  
**Ebel et al.**

(10) **Patent No.:** **US D584,196 S**  
(45) **Date of Patent:** **\*\* Jan. 6, 2009**

(54) **VEHICLE LOWER GRILLE**

(75) Inventors: **Addam Ebel**, Dearborn, MI (US);  
**Solomon H. Song**, Farmington Hills, MI  
(US); **Darrell Paul Behmer**, Novi, MI  
(US); **Moray Stuart Callum**, Ann  
Arbor, MI (US)

(73) Assignee: **Ford Motor Company**, Dearborn, MI  
(US)

(\*\*) Term: **14 Years**

(21) Appl. No.: **29/295,769**

(22) Filed: **Oct. 5, 2007**

(51) **LOC (9) Cl.** ..... **12-16**

(52) **U.S. Cl.** ..... **D12/163**

(58) **Field of Classification Search** ..... D12/163,  
D12/171, 196, 216, 90-92, 86; 180/68.1,  
180/68.6; 296/193.11

See application file for complete search history.

(56) **References Cited**

**U.S. PATENT DOCUMENTS**

D510,302 S	*	10/2005	Sugimoto	.....	D12/163
D514,480 S	*	2/2006	Yamaji et al.	.....	D12/163
D531,938 S	*	11/2006	Okamura	.....	D12/163
D534,104 S	*	12/2006	Miyata et al.	.....	D12/163
D535,224 S	*	1/2007	Kubota et al.	.....	D12/163
D545,731 S		7/2007	Golden		
D561,654 S	*	2/2008	Platto et al.	.....	D12/163
D568,217 S	*	5/2008	Tomatsu et al.	.....	D12/163

**OTHER PUBLICATIONS**

Mercury, Milan Voga unveiled during Miami Fashion Week, Google  
Image Result for [http://www.autoblog.com/media/2006/05/  
milanvoga2500.jpg](http://www.autoblog.com/media/2006/05/milanvoga2500.jpg).

Mercury, Milan, GM Insider at [http://img72.imageshack.us/img72/  
5994/mercurymilanseptember07c13.jpg](http://img72.imageshack.us/img72/5994/mercurymilanseptember07c13.jpg).  
Mercury, Concept Meta One, Detroit 2005.  
Mercury, Milan Premier V6, Detroit 2006.

\* cited by examiner

*Primary Examiner*—Melody N Brown

(74) *Attorney, Agent, or Firm*—Damian Porcari

(57) **CLAIM**

The ornamental design for a vehicle lower grille, as shown  
and described.

**DESCRIPTION**

FIG. 1 is a front elevational view of a vehicle lower grille  
showing our new design;

FIG. 2 is a left side elevational view of the vehicle lower  
grille;

FIG. 3 is a right side elevational view of the vehicle lower  
grille;

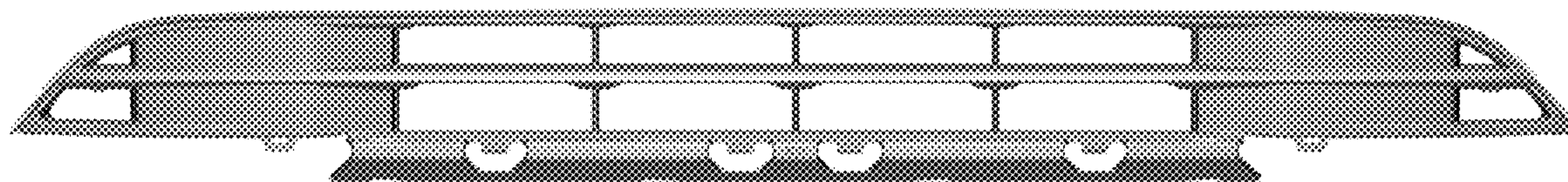
FIG. 4 is a top plan view of the vehicle lower grille;

FIG. 5 is a bottom plan view of the vehicle lower grille; and,

FIG. 6 is a rear elevational view of the vehicle lower grille.

The vehicle lower grille is styled independently of adjacent  
vehicle panels. To the extent that any feature lines are illus-  
trated, they are intended to illustrate the crest and valley of the  
feature and are not necessarily sharp bends in the part. Shad-  
ing is used to illustrate the curvature of the part and not color.  
Areas shown in or sounded by broken lines are not claimed.  
Any functional features of the vehicle lower grille are not  
claimed. Views are orthogonal projections unless otherwise  
noted. The various views are not necessarily to scale in order  
to better illustrate the design.

**1 Claim, 5 Drawing Sheets**



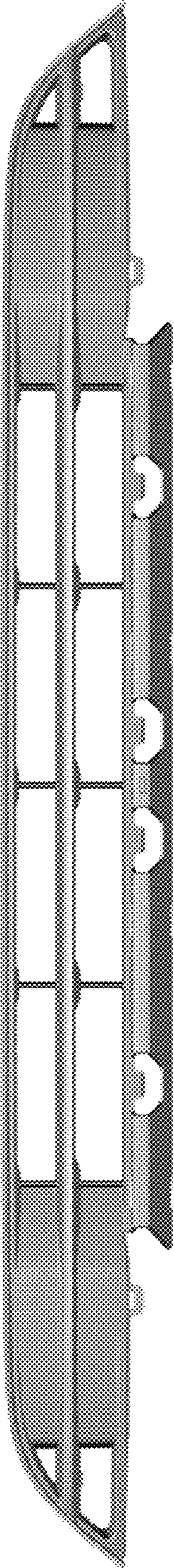


Figure 1



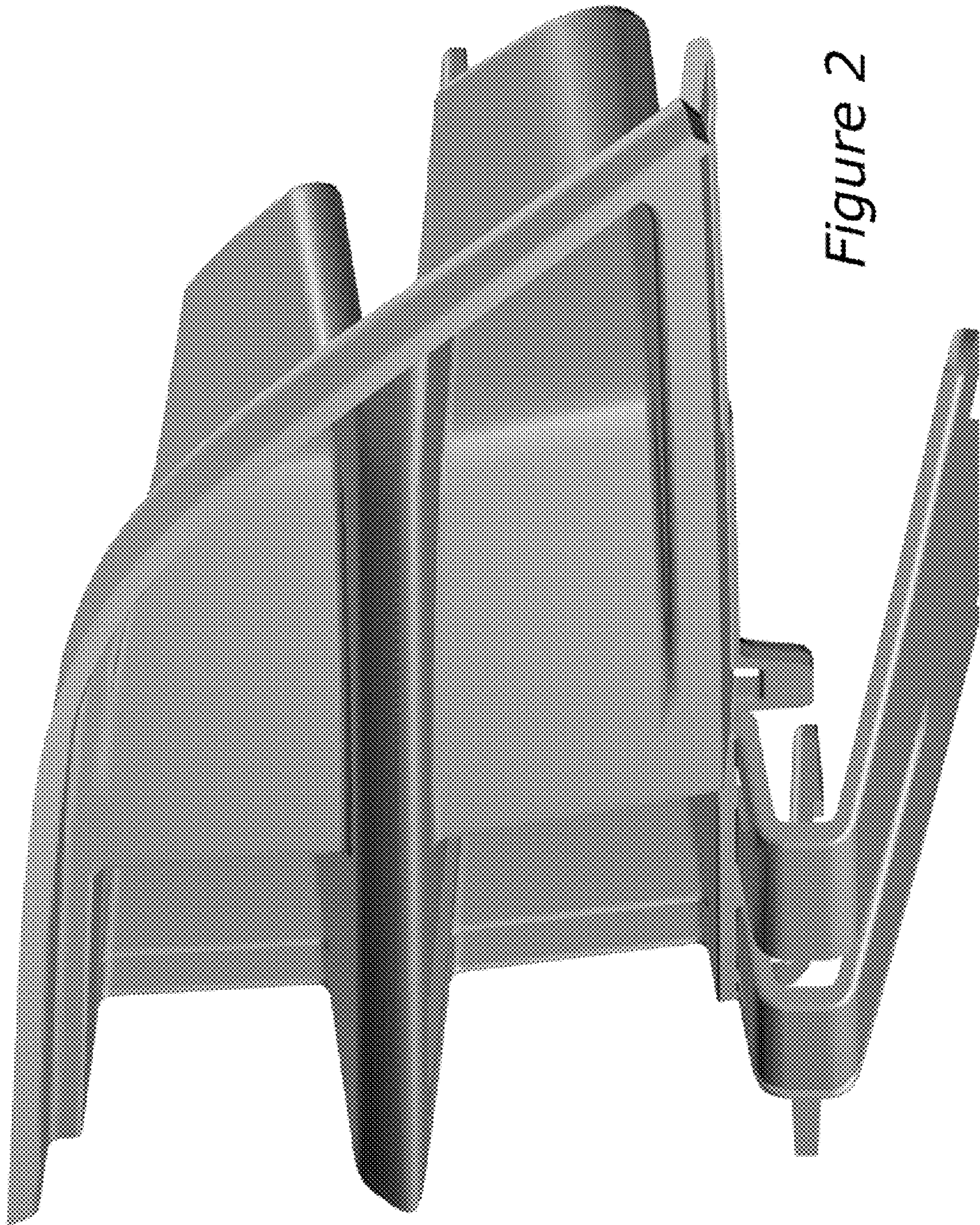


Figure 2



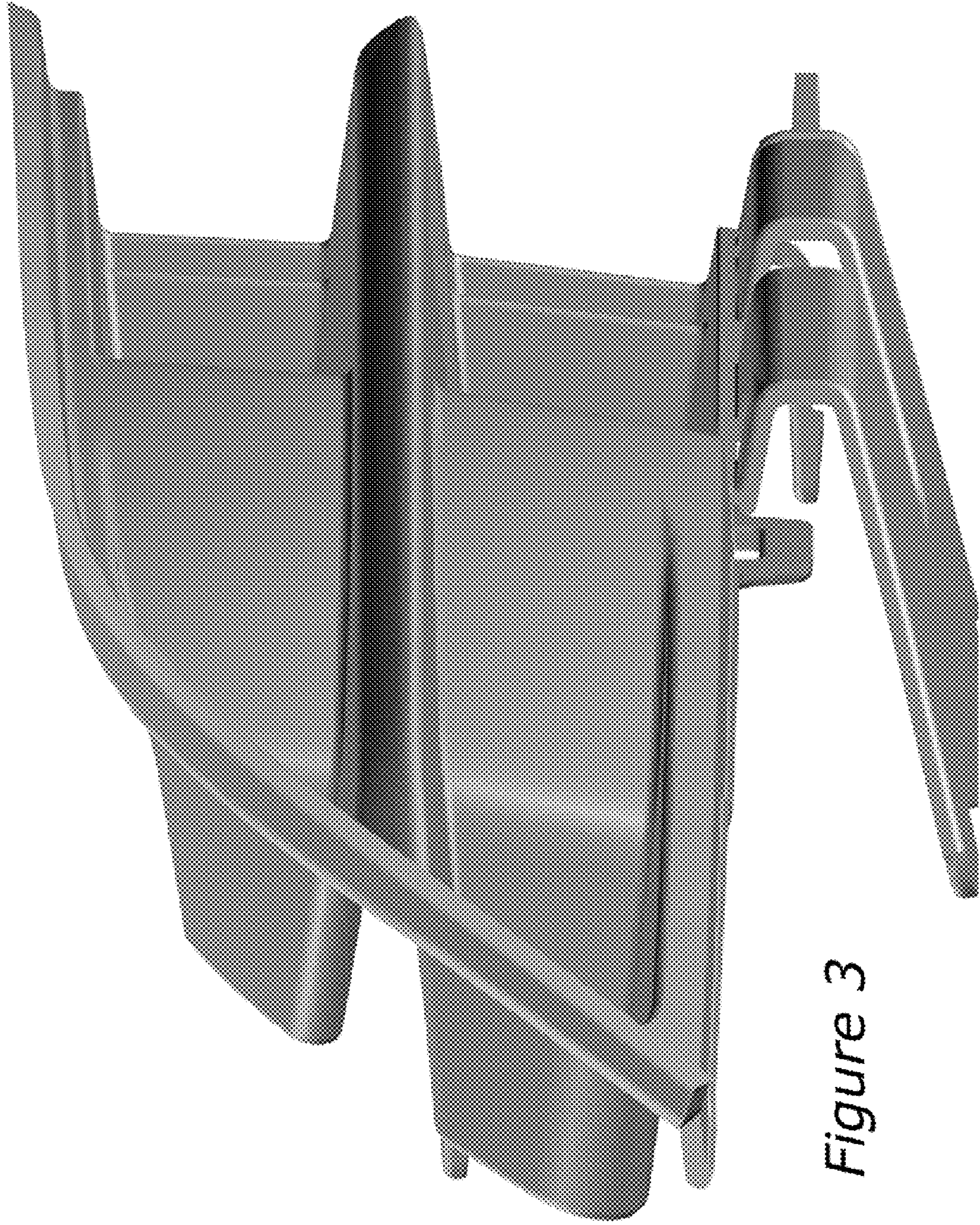


Figure 3



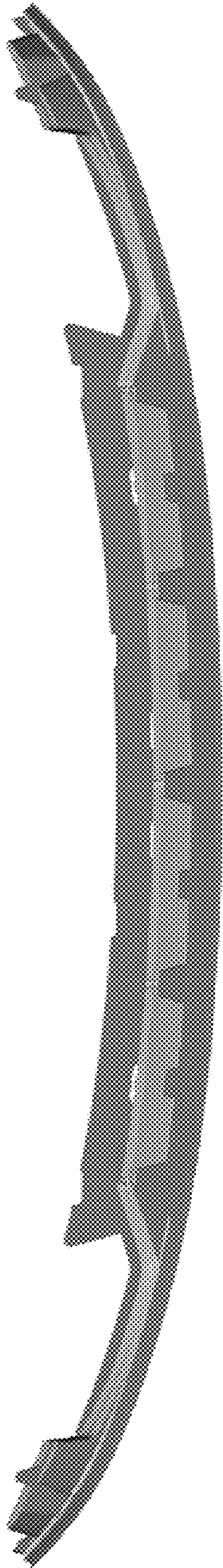


Figure 4

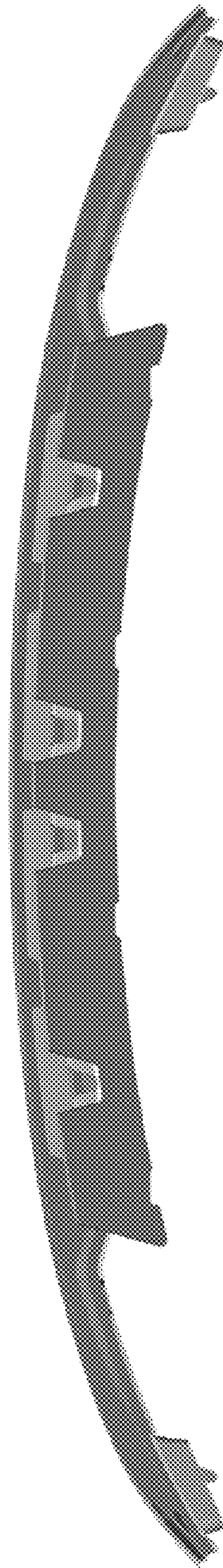


Figure 5

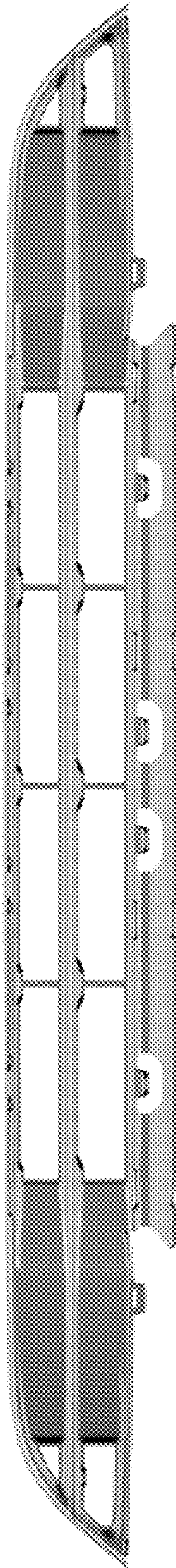


Figure 6