



US00D584195S

(12) **United States Design Patent**
Collier et al.

(10) **Patent No.:** **US D584,195 S**
(45) **Date of Patent:** **** Jan. 6, 2009**

(54) **TRIKE HAULER**

(76) Inventors: **Douglas Collier**, 1016 Southwood Ave., Talladega, AL (US) 35160; **Ruby Collier**, 1016 Southwood Ave., Talladega, AL (US) 35160

(**) Term: **14 Years**

(21) Appl. No.: **29/318,742**

(22) Filed: **May 27, 2008**

(51) **LOC (9) Cl.** **12-16**

(52) **U.S. Cl.** **D12/162**

(58) **Field of Classification Search** D12/106,
D12/115, 116, 199, 161, 162, 400, 420; 280/186,
280/402-405.1, 405.2, 407, 407.1, 416.2,
280/455.1, 491, 491.5, 511, 512, 513; 224/400-402,
224/448, 449, 507-510, 521-526, 527-529
See application file for complete search history.

(56) **References Cited**

U.S. PATENT DOCUMENTS

3,822,898 A 7/1974 Brownlie
5,145,308 A 9/1992 Vaughn et al.
D334,163 S 3/1993 McVey
5,620,197 A 4/1997 Howes
5,674,044 A 10/1997 Raney

5,697,629 A 12/1997 Guild
5,938,226 A 8/1999 Transchel
6,099,012 A 8/2000 Mortimer
D440,934 S 4/2001 Cataldo
6,244,813 B1 6/2001 Cataldo
D523,389 S * 6/2006 Ezra D12/406
7,188,856 B2 * 3/2007 Maynard 280/402
2001/0035446 A1 * 11/2001 Walstrom et al. 224/501
2003/0123964 A1 * 7/2003 Estes 414/462
2003/0184046 A1 * 10/2003 Bourgault et al. 280/417.1

* cited by examiner

Primary Examiner—T. Chase Nelson
Assistant Examiner—Michael A Pratt

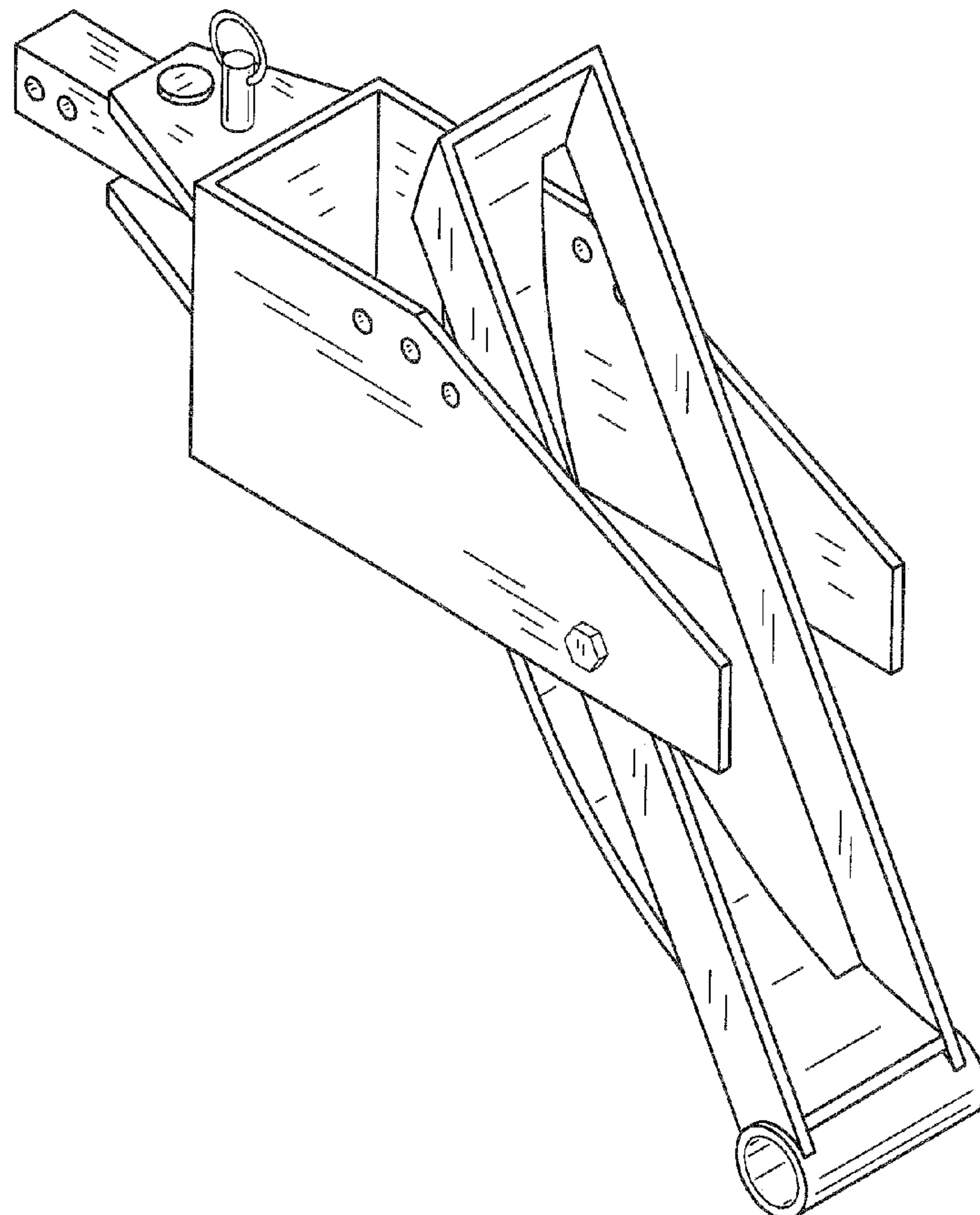
(57) **CLAIM**

The ornamental design for a trike hauler, as shown.

DESCRIPTION

FIG. 1 is a perspective view of a trike hauler;
FIG. 2 is a side view thereof;
FIG. 3 is a front view thereof;
FIG. 4 is a back view thereof;
FIG. 5 is a top view thereof; and,
FIG. 6 is a bottom view thereof.

1 Claim, 3 Drawing Sheets



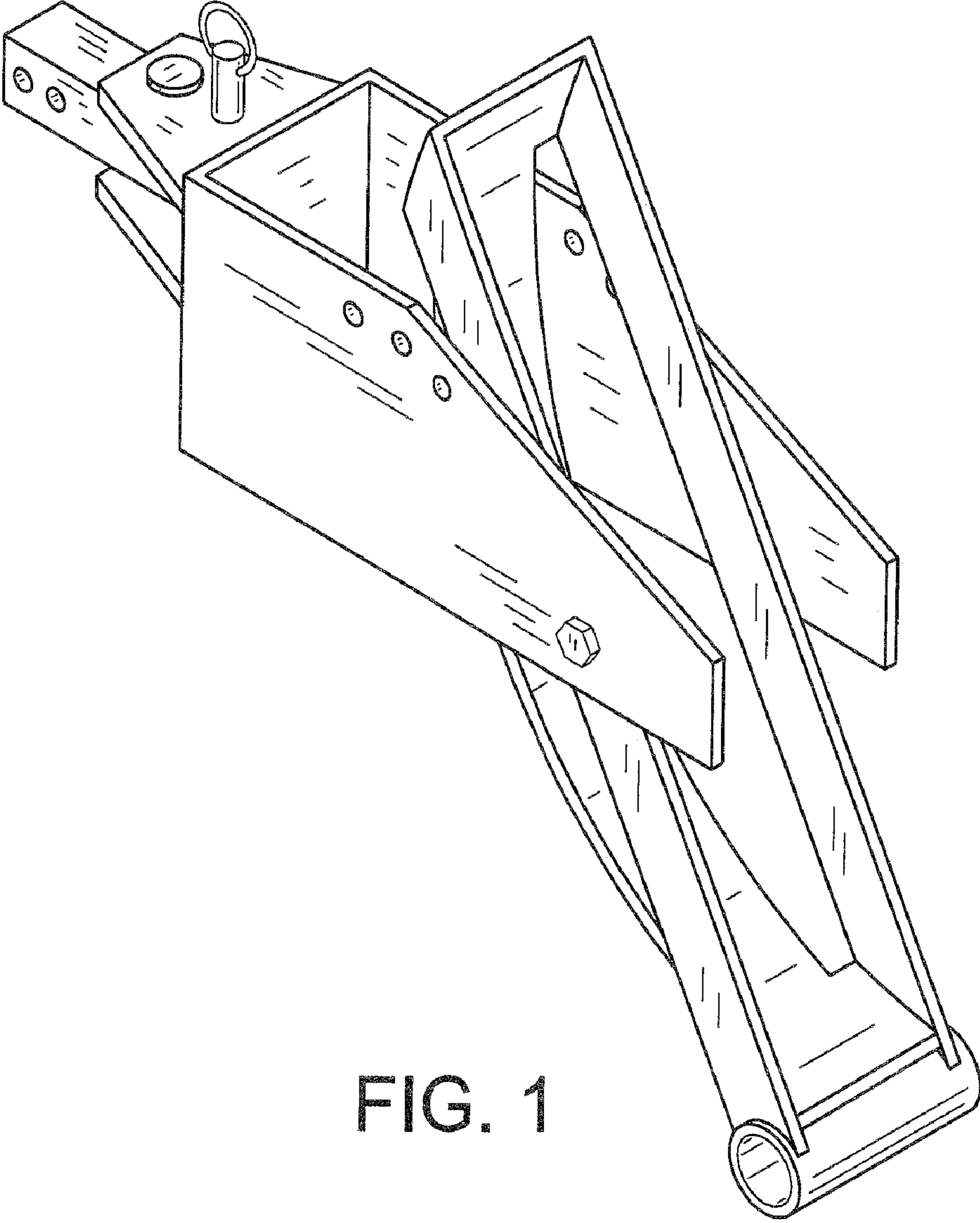


FIG. 1

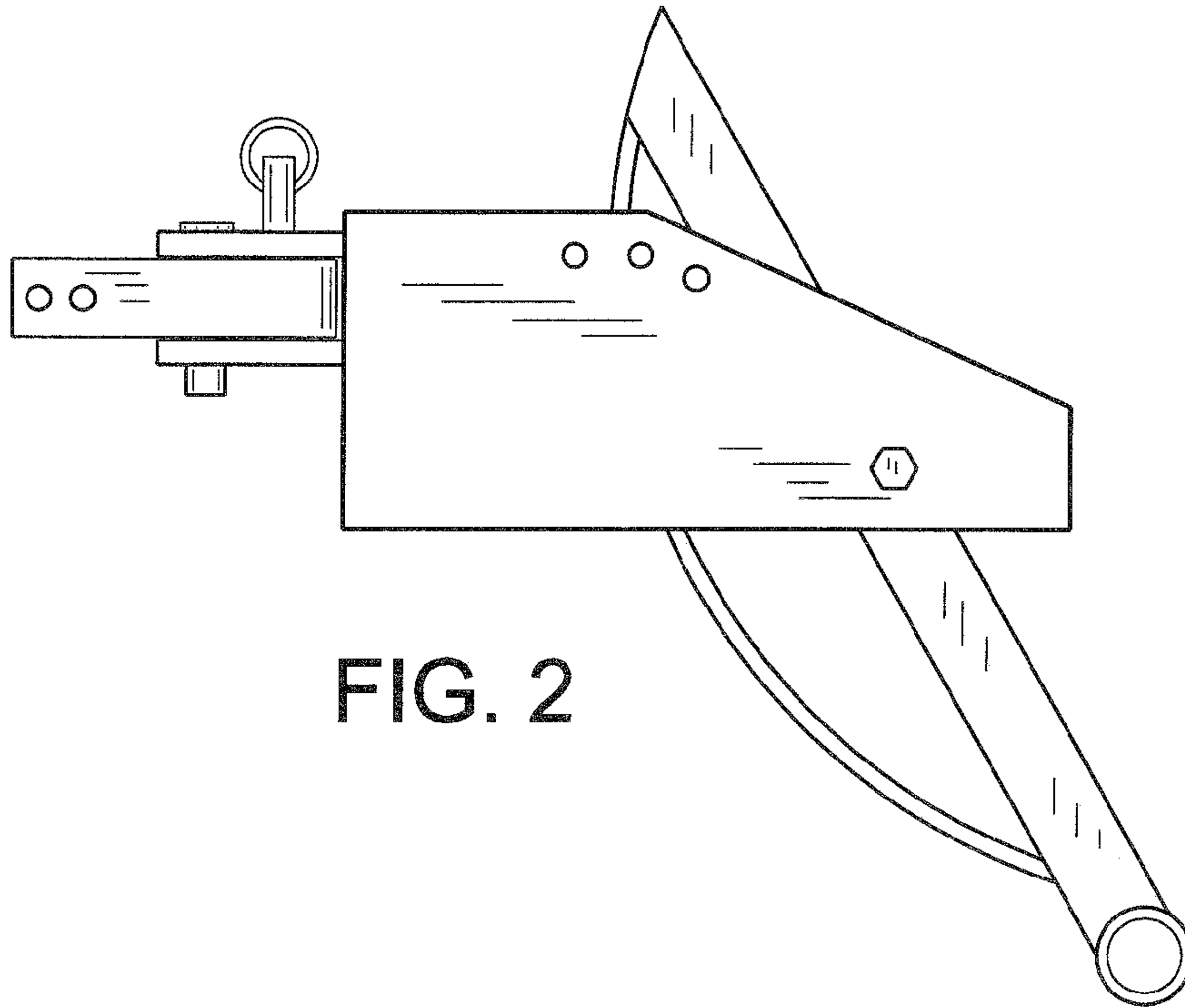


FIG. 2

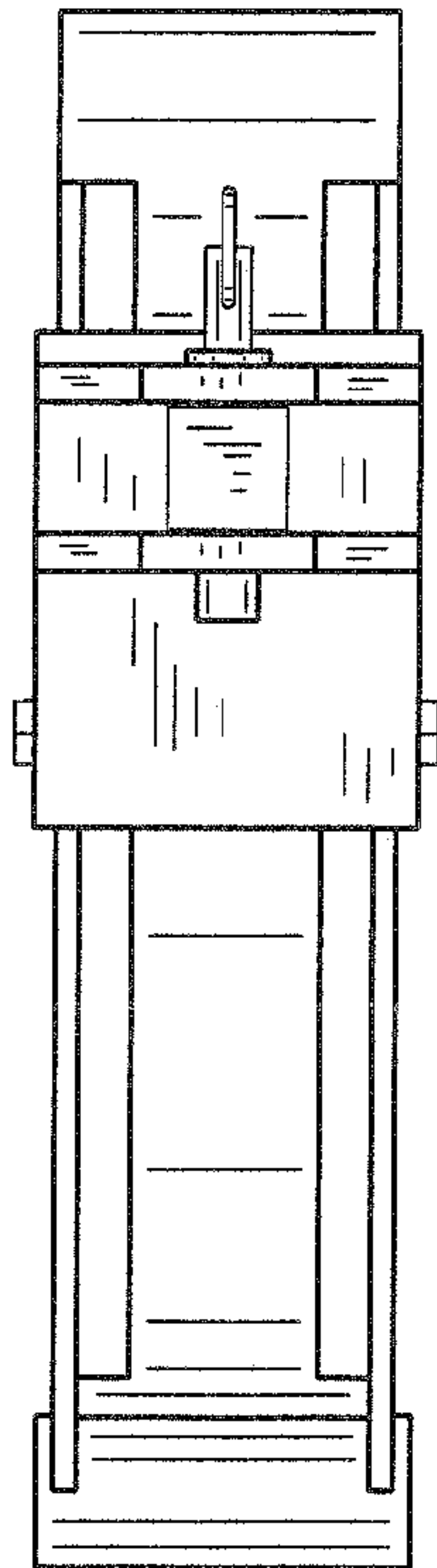


FIG. 3

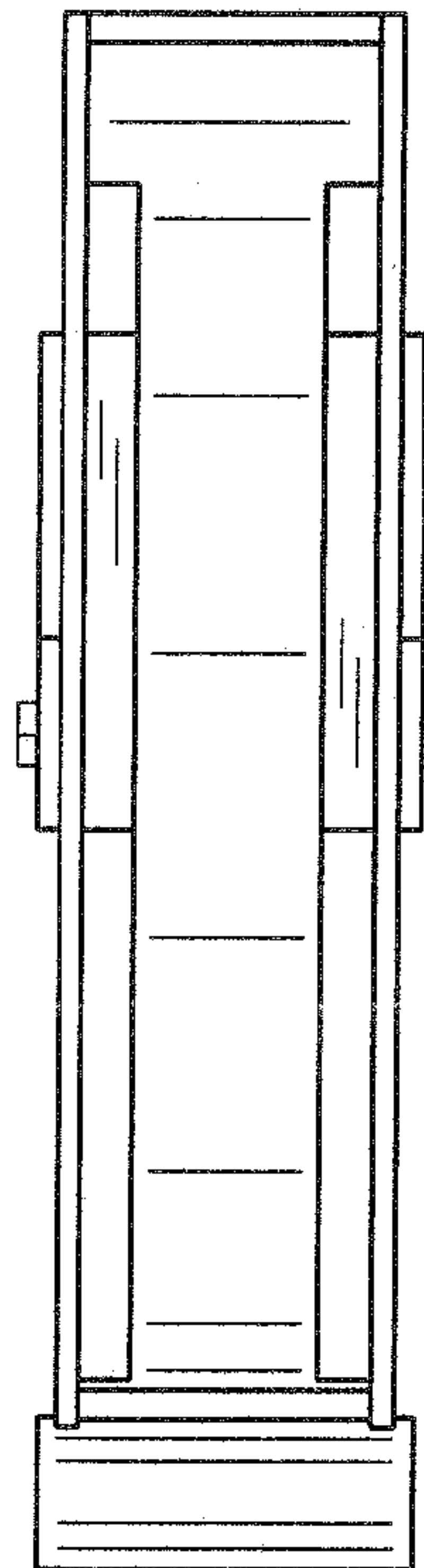


FIG. 4

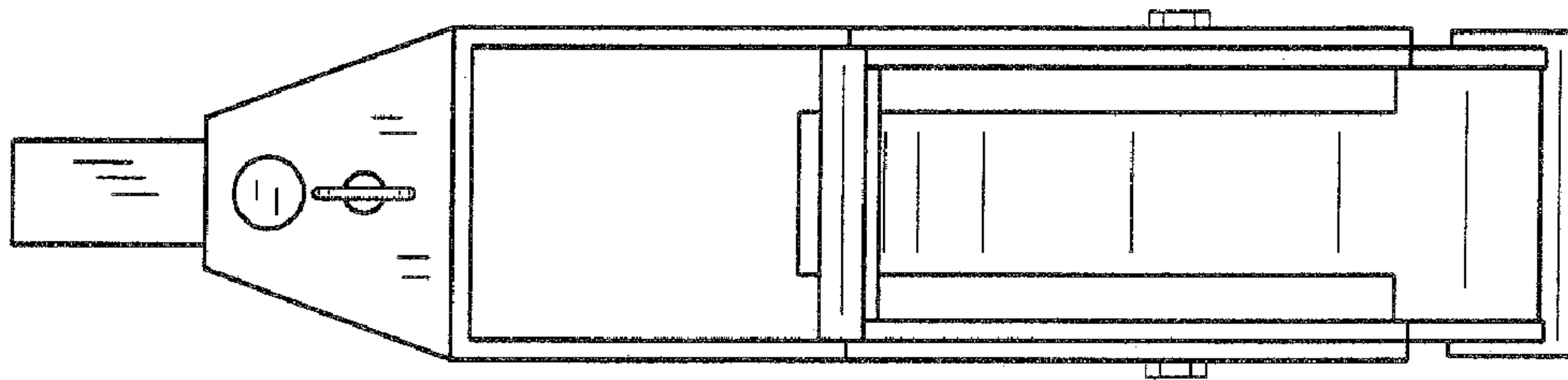


FIG. 5

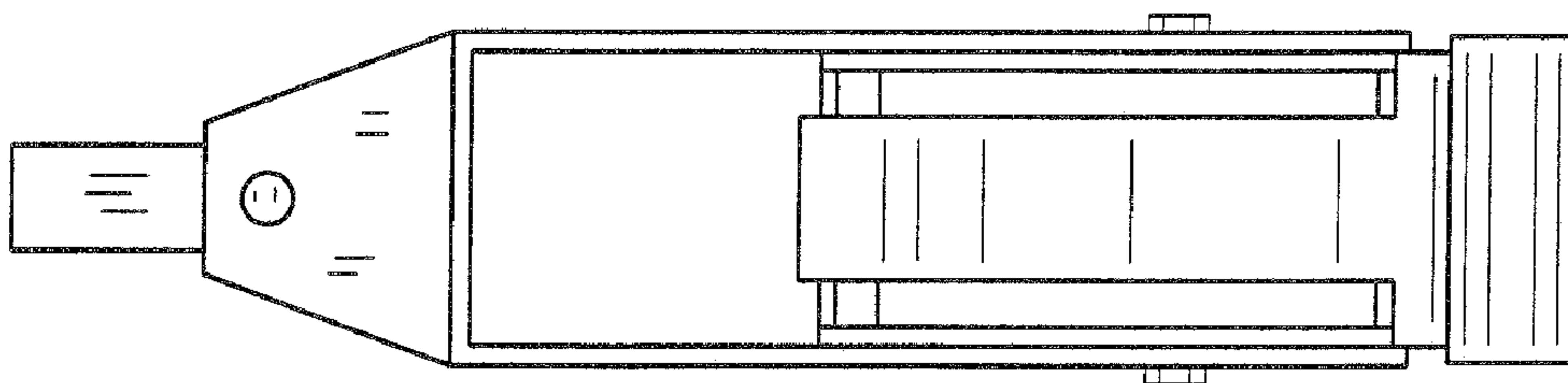


FIG. 6