



US00D584193S

(12) **United States Design Patent**
Massicotte et al.

(10) **Patent No.:** **US D584,193 S**
(45) **Date of Patent:** **** Jan. 6, 2009**

(54) **BILLET ROCKER BOX UNIT**

(75) Inventors: **Stephen M. Massicotte**, Dayton, NV (US); **Ronald L. Paugh**, Carson City, NV (US)

(73) Assignee: **The Driveline Company**, Dayton, NV (US)

(**) Term: **14 Years**

(21) Appl. No.: **29/291,795**

(22) Filed: **Sep. 14, 2007**

(51) **LOC (9) Cl.** **12-11**

(52) **U.S. Cl.** **D12/126**

(58) **Field of Classification Search** D12/110, D12/114, 126; 180/219, 231; D15/1-5, D15/149; 123/90.38, 90.4, 90.41, 189, 193.5, 123/311, 65 R, 41.86, 195 C, 198 E, 195 A, 123/195 R, 198 P, 198 R; 280/288.4
See application file for complete search history.

(56) **References Cited**

U.S. PATENT DOCUMENTS

D347,810 S 6/1994 Matthies
D426,792 S * 6/2000 Reed D12/126

OTHER PUBLICATIONS

Mitchel, Doug. Harley-Davidson® Rolling Sculpture™ A Pictorial Celebration of the First 95 Years. Illinois, Publications International,

Ltd., © 1999. Panhead rocker box covers shown and described on pp. 42 and 43.*
PaughCo Catalog 2003-2004, p. 136, part #765, Carson City, NV (USA).
PaughCo New Products for 2007 Catalog, Feb. 2007, p. 27, part #765BC, Carson City, NV (USA).
Custom Chrome Catalog 2007, p. 9.44, part #02017 (USA).

* cited by examiner

Primary Examiner—Cathron C Brooks

Assistant Examiner—Linda Brooks

(74) *Attorney, Agent, or Firm*—Watson Rounds, P.C.; Padma Choudry

(57) **CLAIM**

The ornamental design for a billet rocker box unit, as shown and described.

DESCRIPTION

FIG. 1 is a front left perspective view of a billet rocker box unit showing our new design;

FIG. 2 is a top plan view thereof;

FIG. 3 is a bottom plan view thereof;

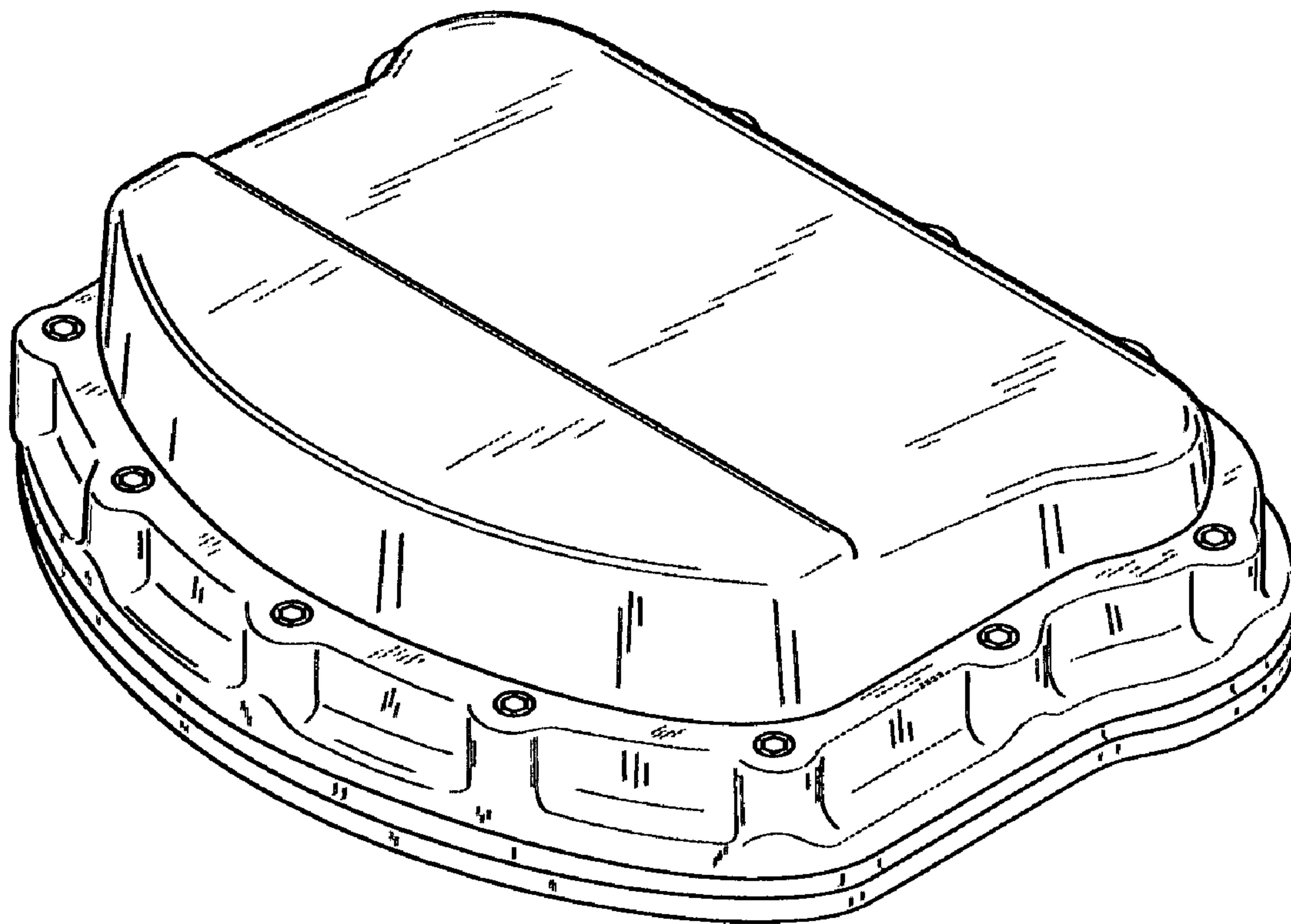
FIG. 4 is a front view thereof;

FIG. 5 is a rear view thereof;

FIG. 6 is a left view thereof; and,

FIG. 7 is a right view of the billet rocker box unit.

1 Claim, 4 Drawing Sheets



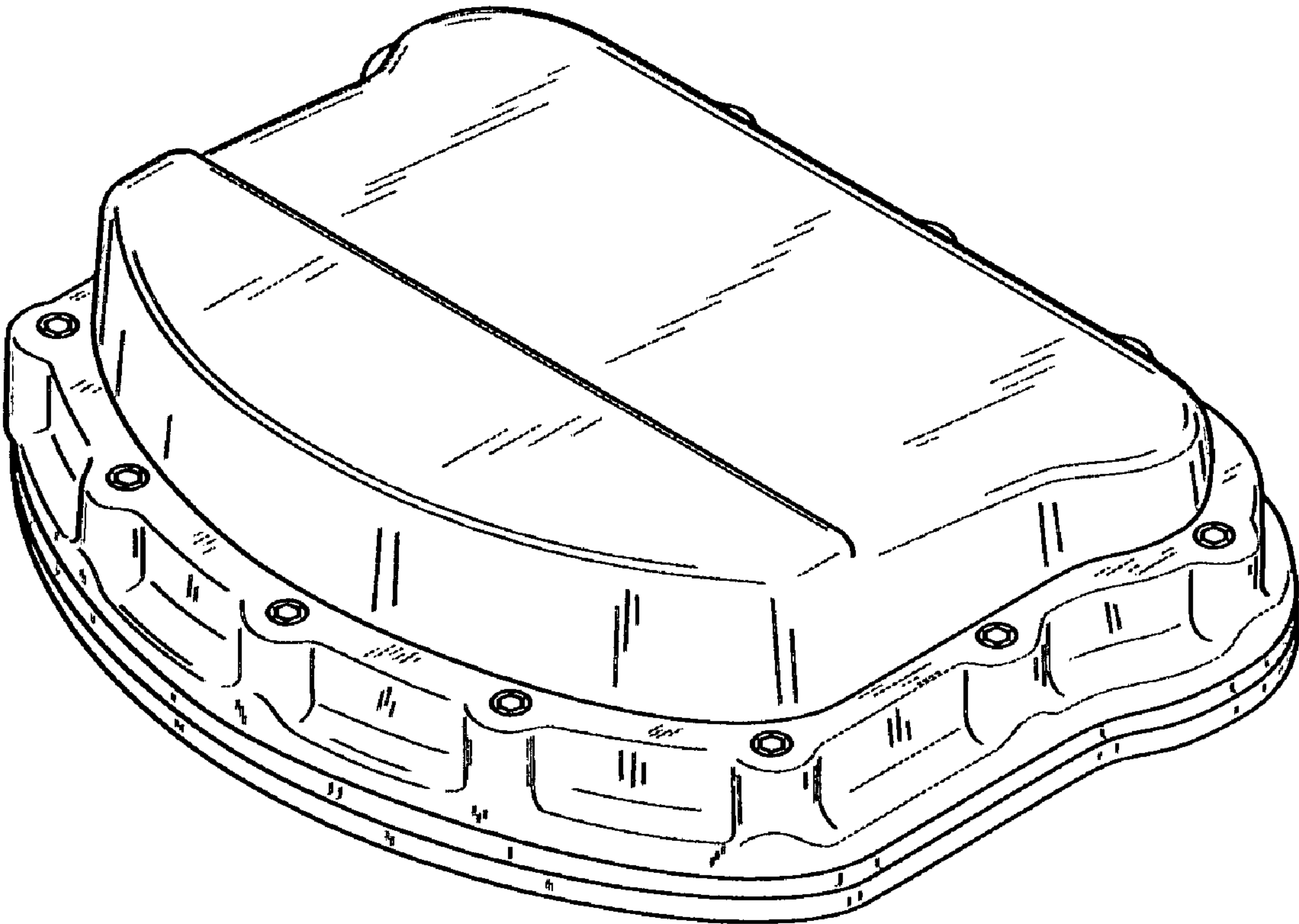


FIG. 1

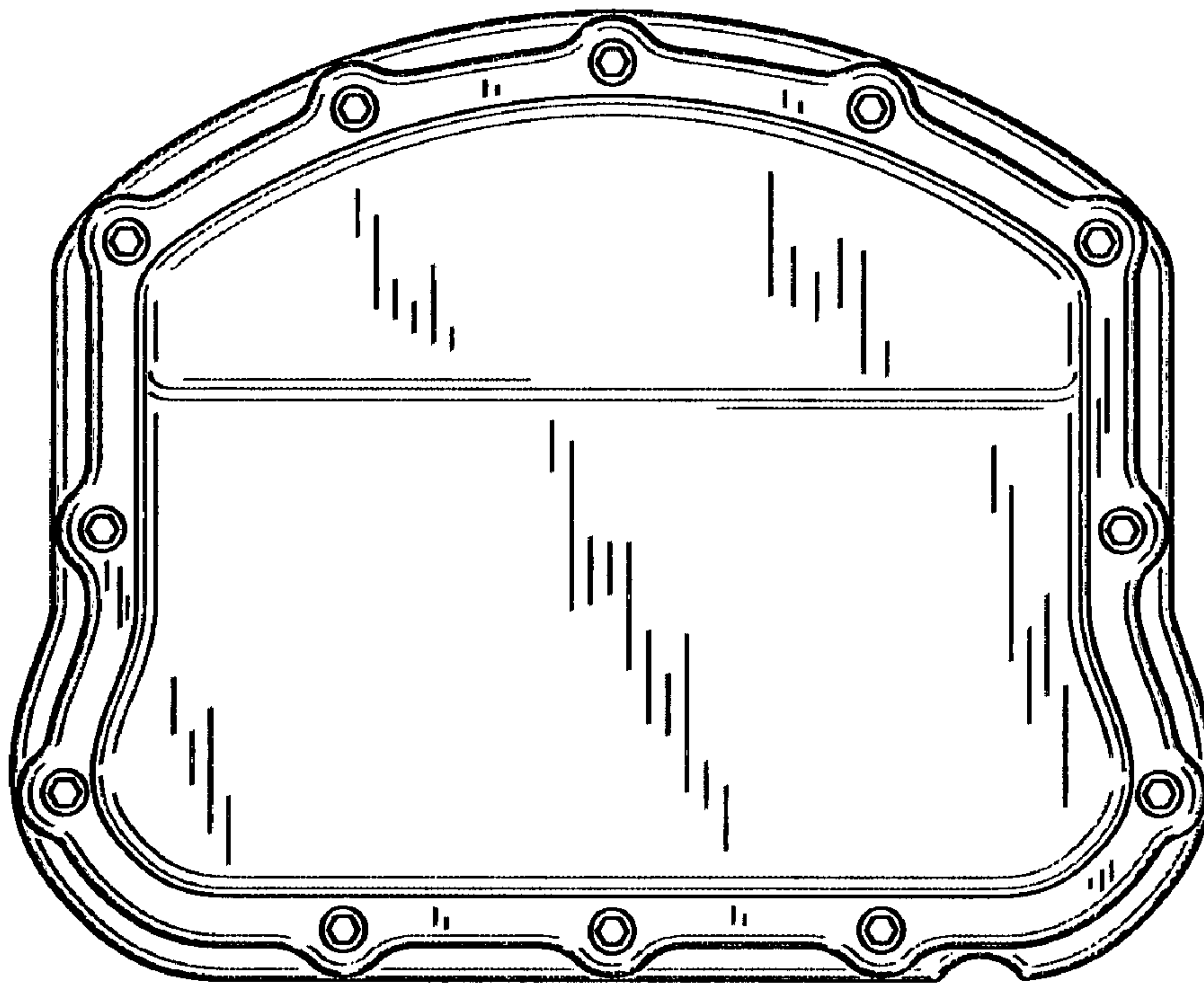


FIG. 2

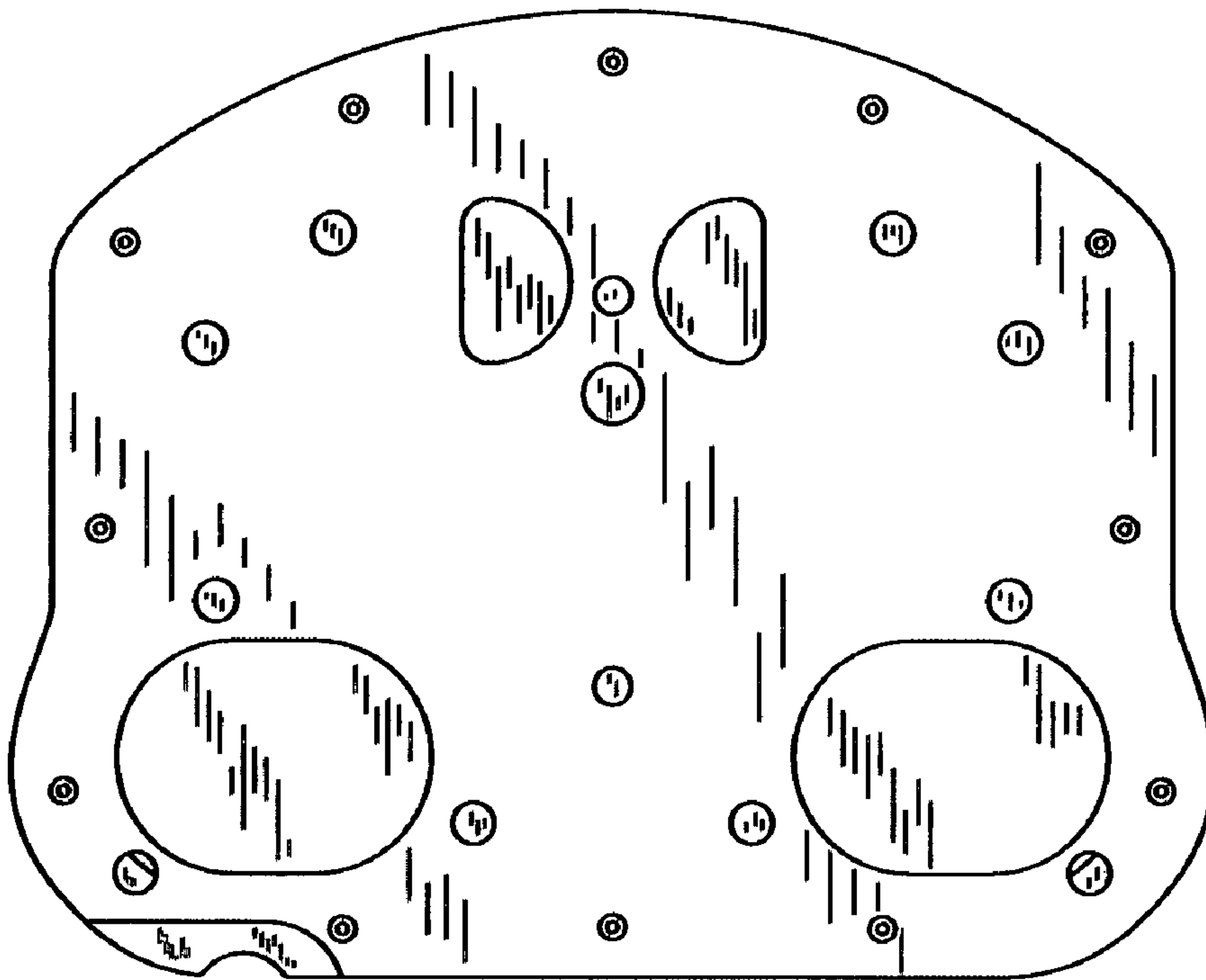


FIG. 3

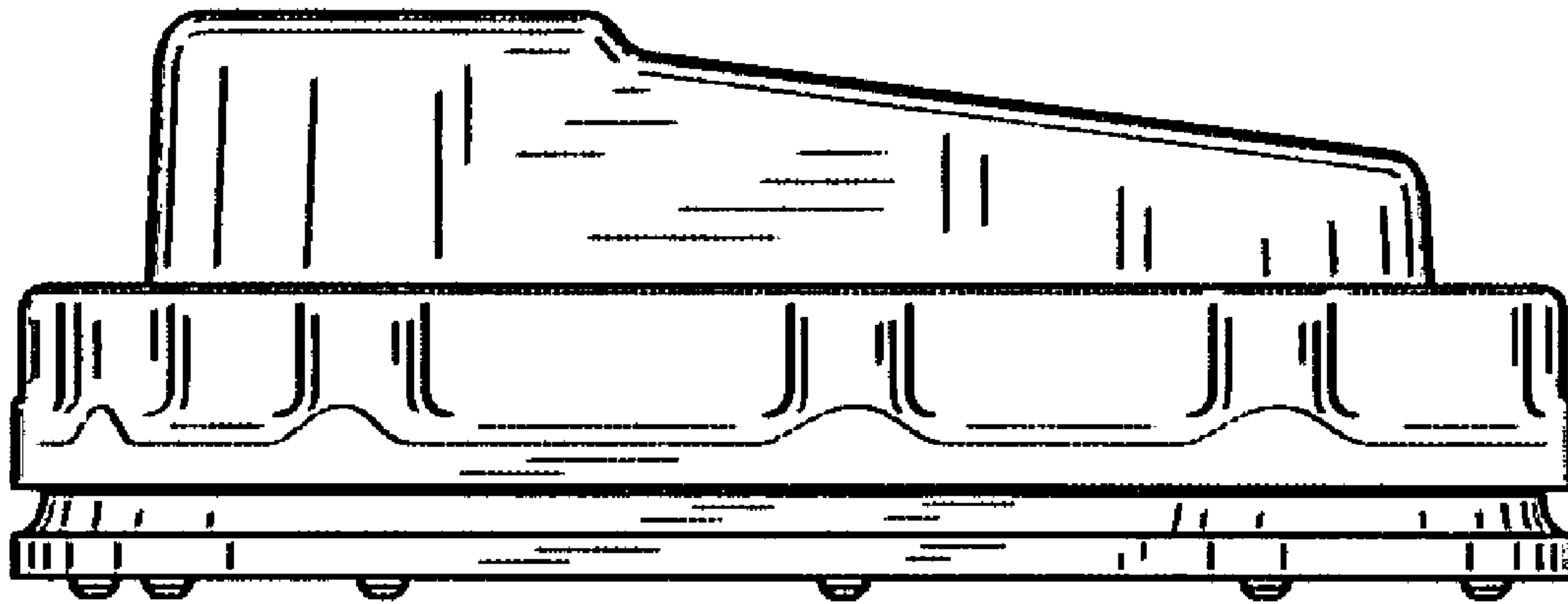


FIG. 4

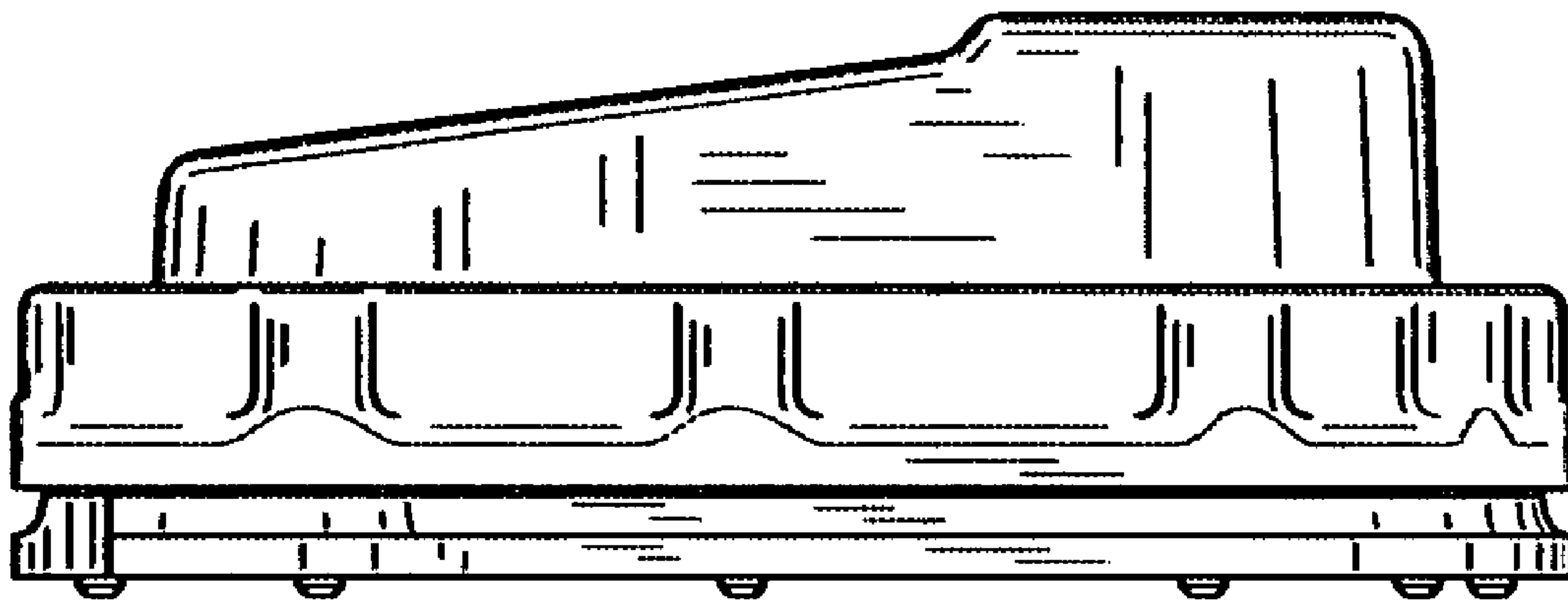


FIG. 5

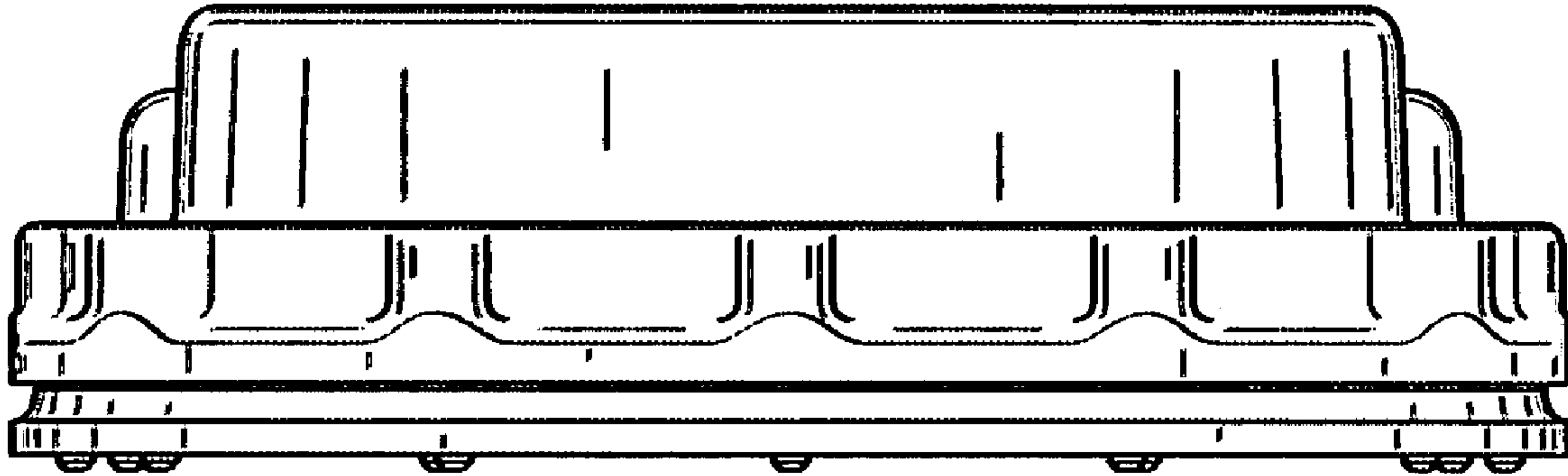


FIG. 6

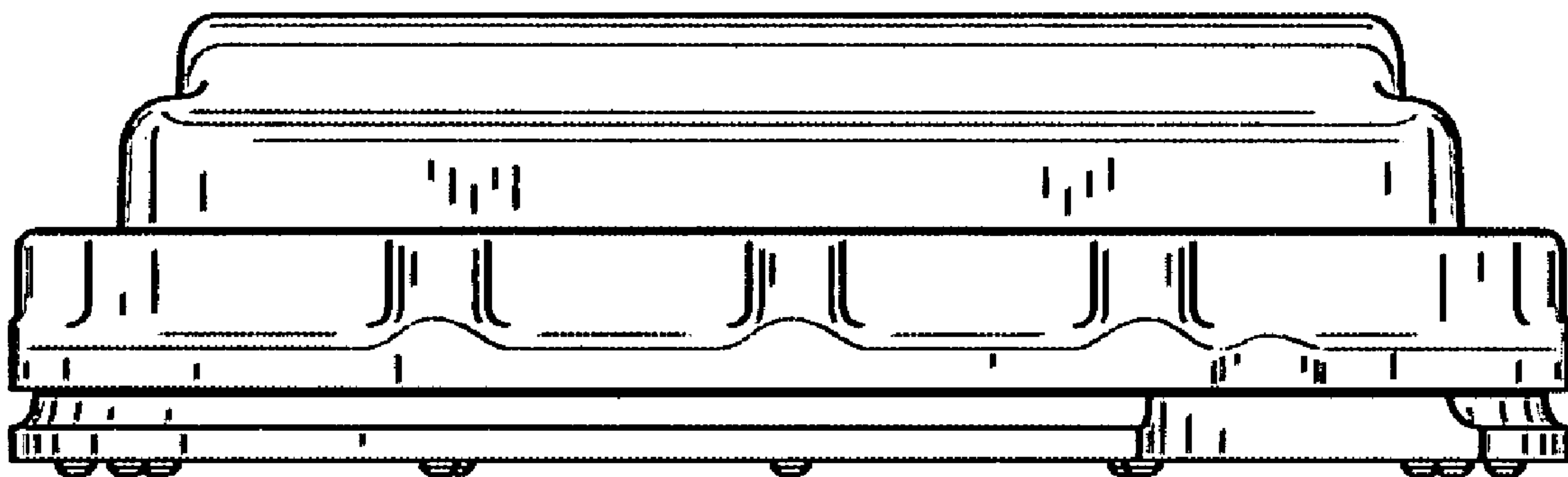


FIG. 7