



US00D584192S

(12) **United States Design Patent**  
**Hasegawa et al.**

(10) **Patent No.:** **US D584,192 S**  
(45) **Date of Patent:** **\*\* Jan. 6, 2009**

(54) **AUTOMOBILE AND/OR REPLICA THEREOF**

(75) Inventors: **Masaru Hasegawa**, Wako (JP);  
**Toshihiko Shimizu**, Wako (JP); **Atsushi Murakawa**, Wako (JP)

(73) Assignee: **Honda Motor Co., Ltd.**, Tokyo (JP)

(\*\*) Term: **14 Years**

(21) Appl. No.: **29/305,771**

(22) Filed: **Mar. 27, 2008**

(30) **Foreign Application Priority Data**

Sep. 28, 2007 (JP) ..... 2007-026338

(51) **LOC (9) Cl.** ..... **12-08**

(52) **U.S. Cl.** ..... **D12/92**

(58) **Field of Classification Search** ..... D12/86,  
D12/90-92; D21/424, 433; 296/181.1, 181.5  
See application file for complete search history.

(56) **References Cited**

**U.S. PATENT DOCUMENTS**

D496,884 S \* 10/2004 Okonkwo ..... D12/92  
D519,879 S \* 5/2006 Cartabiano ..... D12/91  
D528,472 S \* 9/2006 Yamada et al. .... D12/91

**OTHER PUBLICATIONS**

Notification of Refusal Reasons dated Mar. 7, 2008.

\* cited by examiner

*Primary Examiner*—Melody N Brown

(74) *Attorney, Agent, or Firm*—Westerman, Hattori, Daniels & Adrian, LLP.

(57) **CLAIM**

The ornamental design for, an automobile and/or replica thereof, as shown and described.

**DESCRIPTION**

FIG. 1 is a front perspective view of an automobile and/or replica thereof, showing our new design;

FIG. 2 is a rear perspective view thereof;

FIG. 3 is a front elevation view thereof;

FIG. 4 is a rear elevation view thereof;

FIG. 5 is a top plan view thereof; and,

FIG. 6 is a right side elevation view thereof.

The left side elevation view is a mirror image of the right side elevation view. The broken lines are for illustrative purposes only and form no part of the claimed design.

**1 Claim, 6 Drawing Sheets**

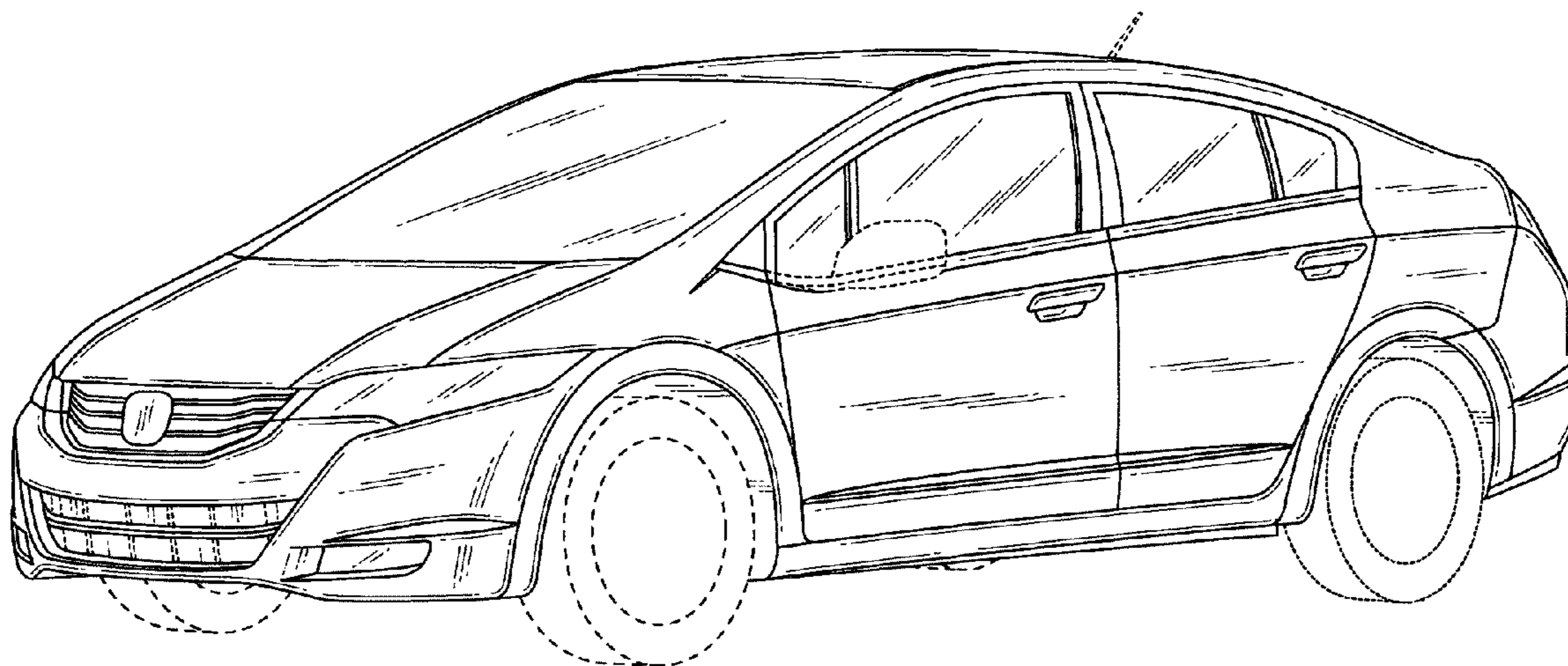


Fig. 1

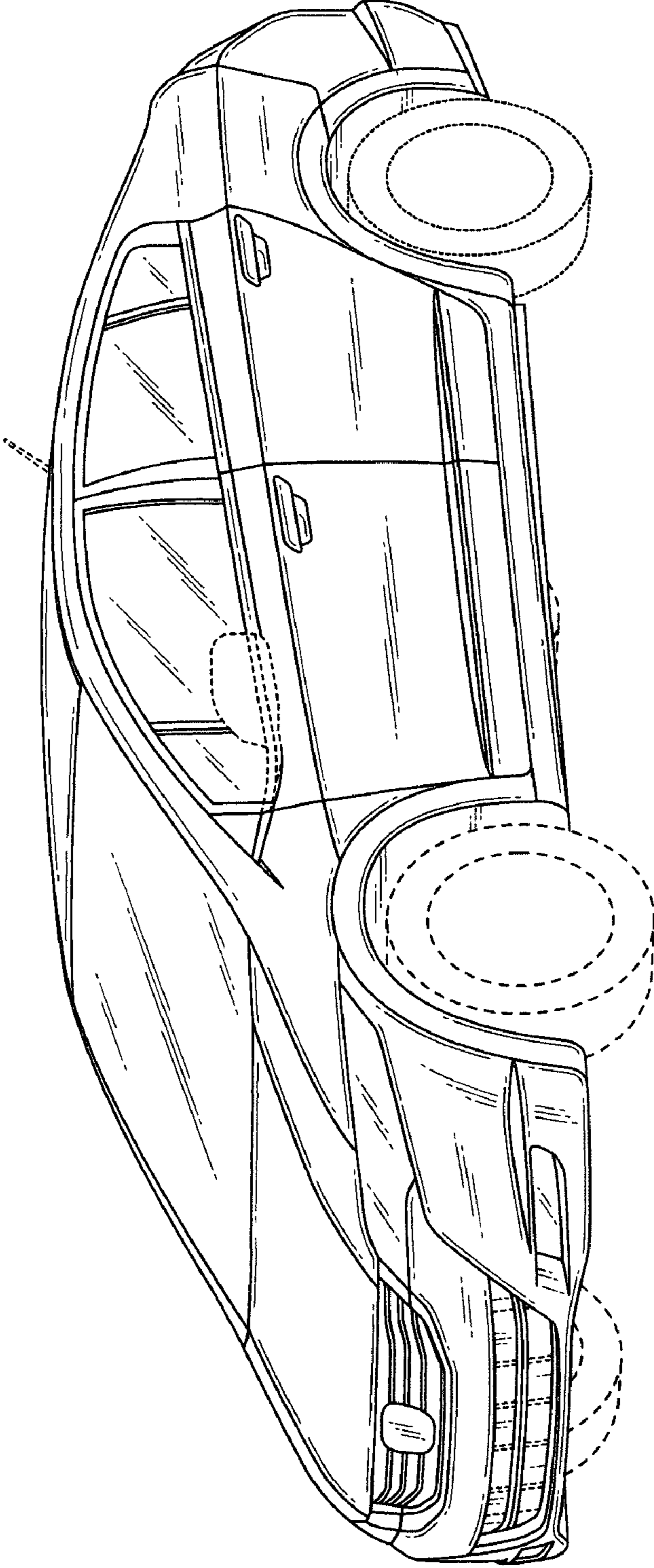


Fig. 2

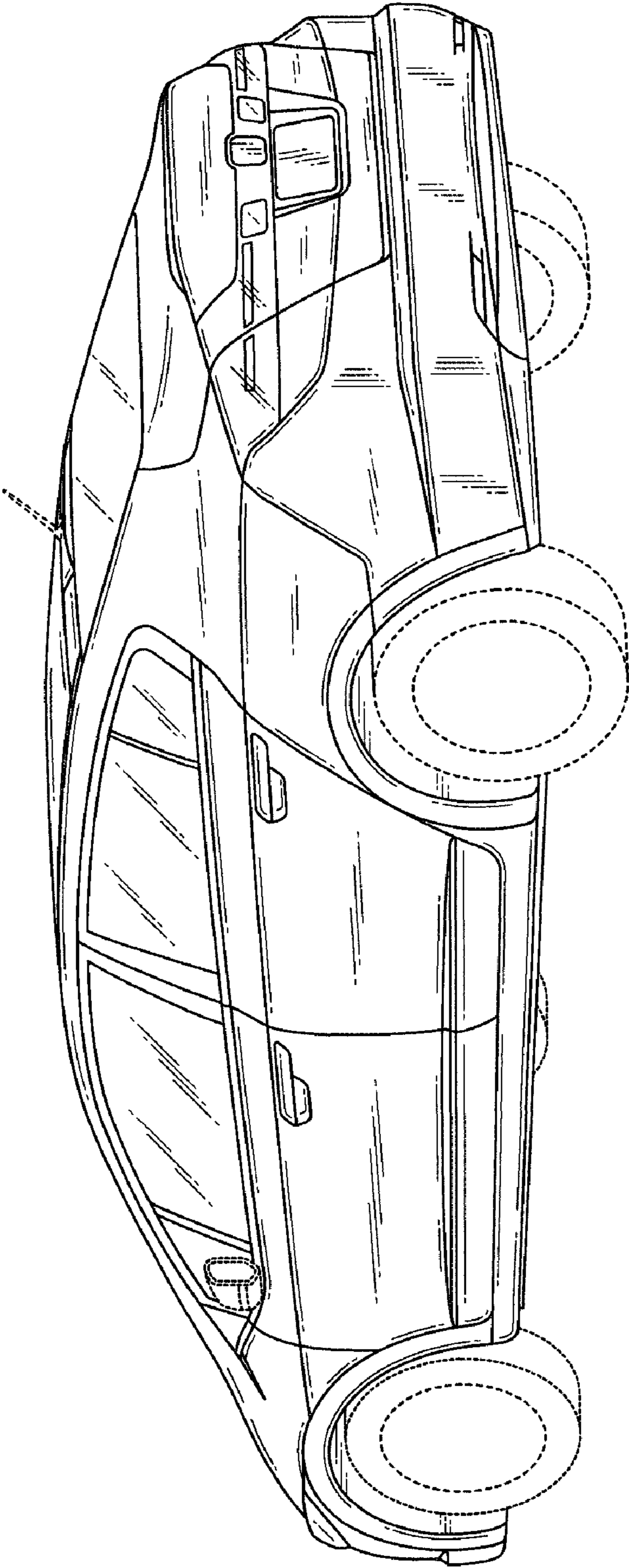


Fig.3

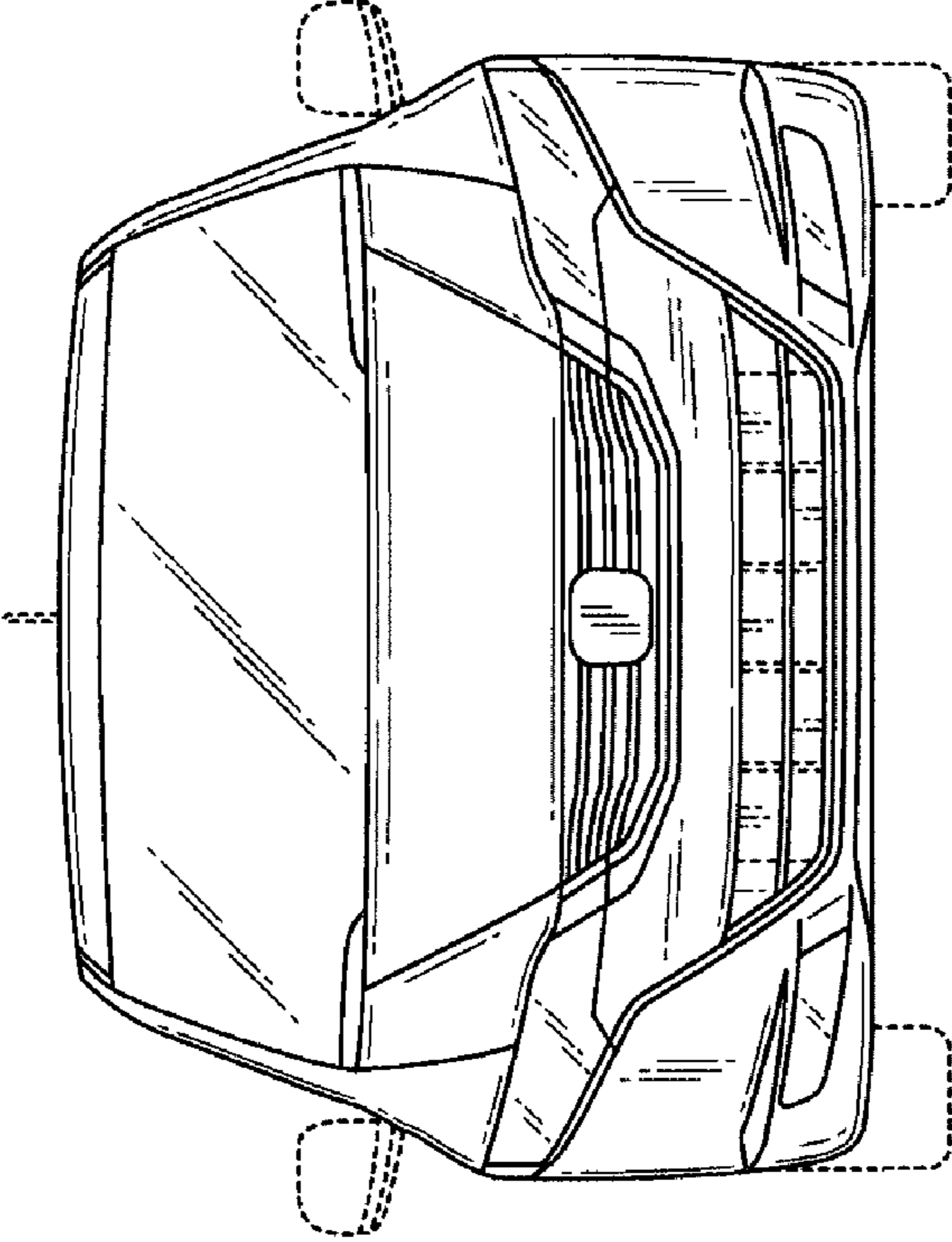
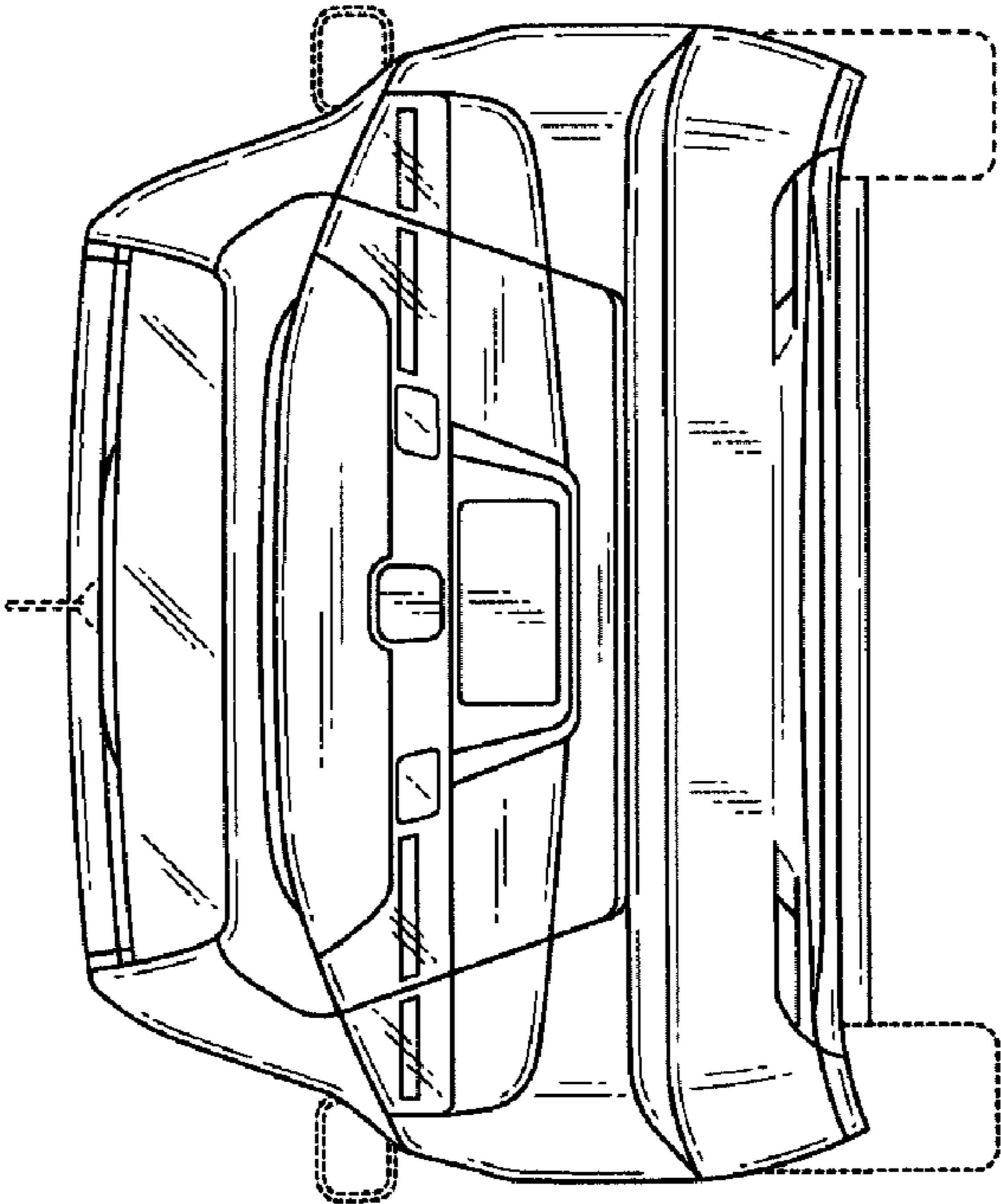




Fig. 4



*Fig.5*

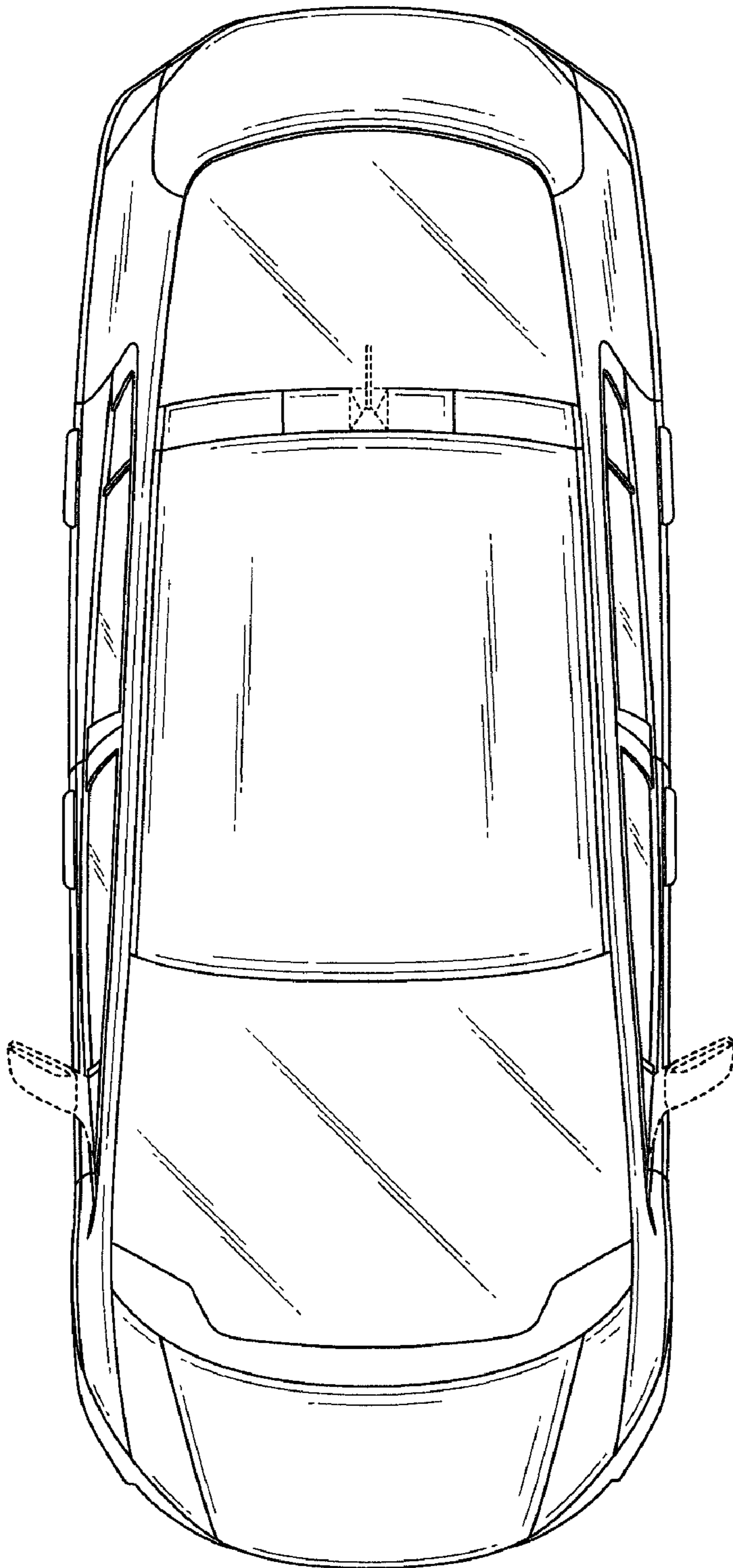


Fig. 6

