



US00D584191S

(12) **United States Design Patent**  
**Hall et al.**

(10) **Patent No.:** **US D584,191 S**  
(45) **Date of Patent:** **\*\* Jan. 6, 2009**

(54) **AUTOMOBILE AND/OR REPLICA THEREOF**

(75) Inventors: **Jarad Hall**, Torrance, CA (US); **Shuji Koman**, Saitama-ken (JP)

(73) Assignee: **Honda Motor Co., Ltd**, Tokyo (JP)

(\*\*) Term: **14 Years**

(21) Appl. No.: **29/303,147**

(22) Filed: **Feb. 1, 2008**

(30) **Foreign Application Priority Data**

Aug. 3, 2007 (JP) ..... 2007-021203

(51) **LOC (9) Cl.** ..... **12-08**

(52) **U.S. Cl.** ..... **D12/92**

(58) **Field of Classification Search** ..... D12/86,  
D12/90-92; 296/181.1, 181.5  
See application file for complete search history.

(56) **References Cited**

**U.S. PATENT DOCUMENTS**

D474,424 S \* 5/2003 Tachibana et al. .... D12/92  
D525,174 S \* 7/2006 Minowa et al. .... D12/92  
D525,915 S \* 8/2006 Minowa et al. .... D12/92  
D534,098 S \* 12/2006 Schell ..... D12/92  
D537,383 S \* 2/2007 Kato ..... D12/91

D547,699 S \* 7/2007 Okazaki et al. .... D12/92  
D573,063 S \* 7/2008 Sawai ..... D12/92  
D573,064 S \* 7/2008 Sawai ..... D12/92

\* cited by examiner

*Primary Examiner*—Melody N Brown

(74) *Attorney, Agent, or Firm*—Westerman, Hattori, Daniels & Adrian, LLP.

(57) **CLAIM**

The ornamental design for an automobile and/or replica thereof, as shown and described.

**DESCRIPTION**

FIG. 1 is a front and left side perspective view of an automobile and/or replica showing my new design;

FIG. 2 is a rear and left side perspective view thereof;

FIG. 3 is a left side elevation view thereof, the right side view is substantially a mirror image of the left side shown;

FIG. 4 is a front elevation view thereof;

FIG. 5 is a rear elevation view thereof; and,

FIG. 6 is a top plan view thereof.

The portion of the article shown in broken lines is for illustrative purpose only and forms no part of the claimed design.

**1 Claim, 6 Drawing Sheets**

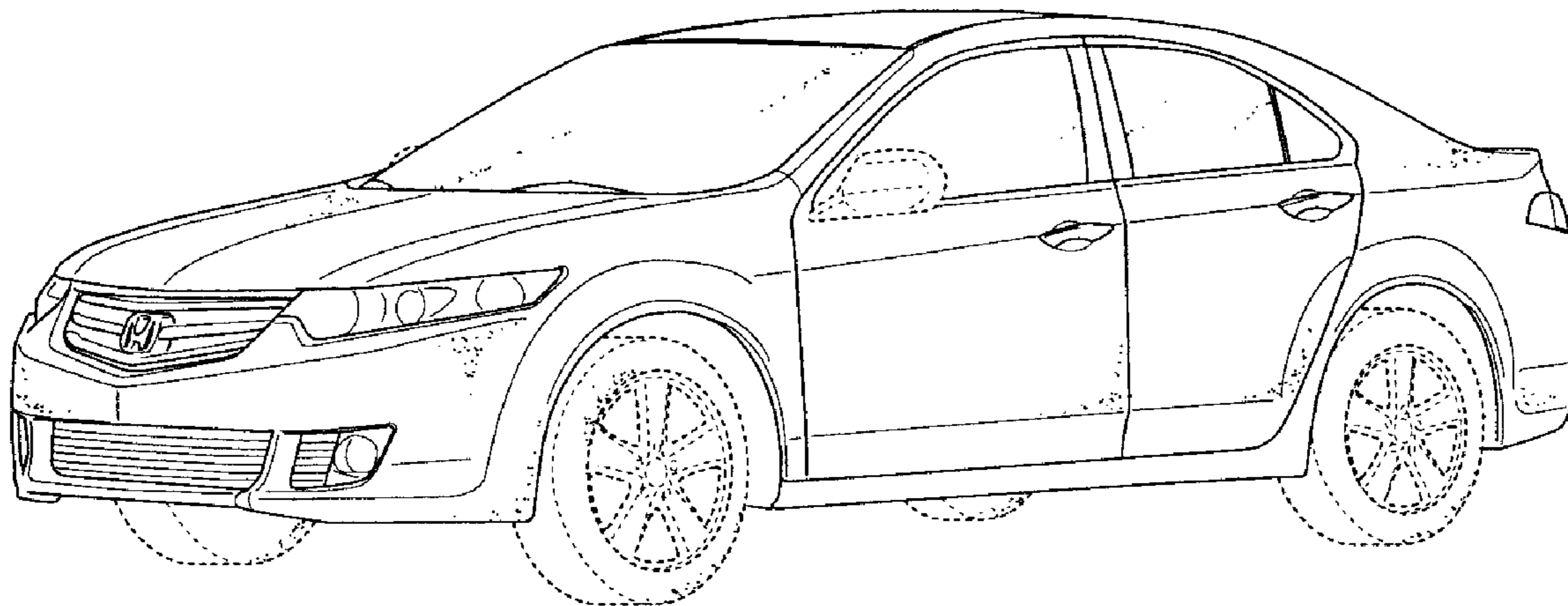


FIG. 1

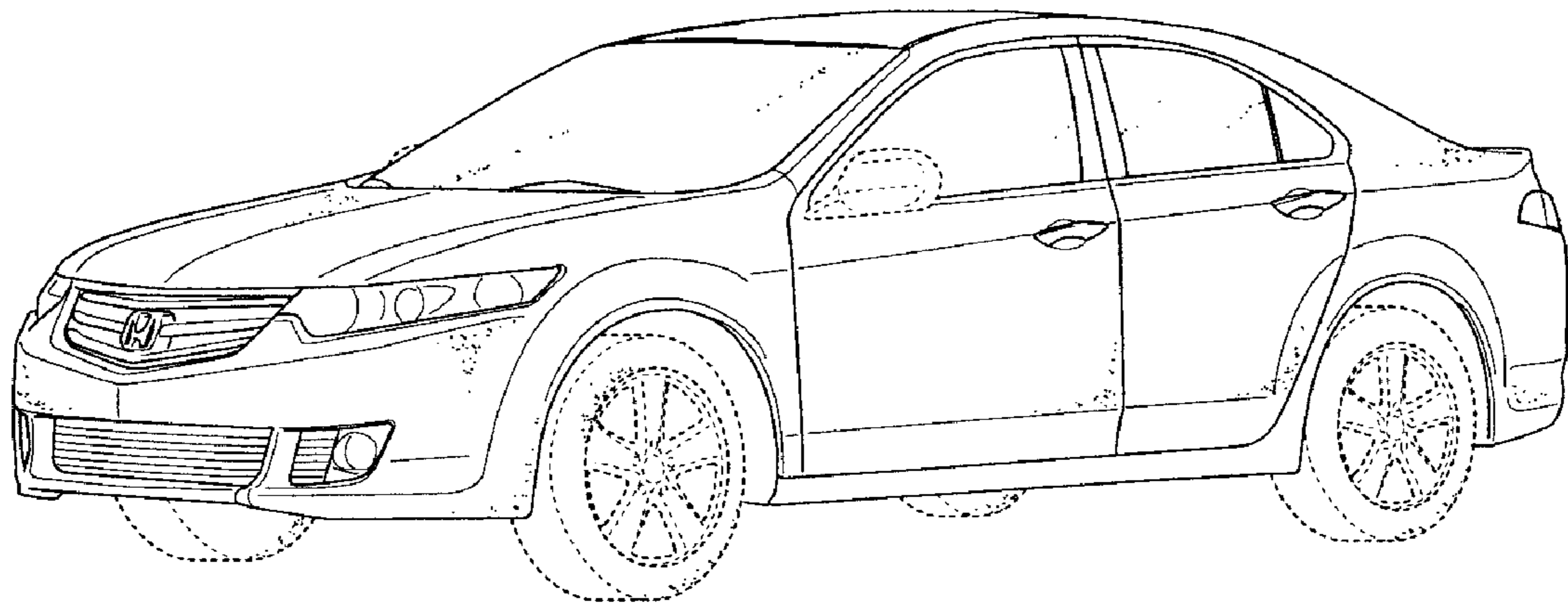


FIG. 2

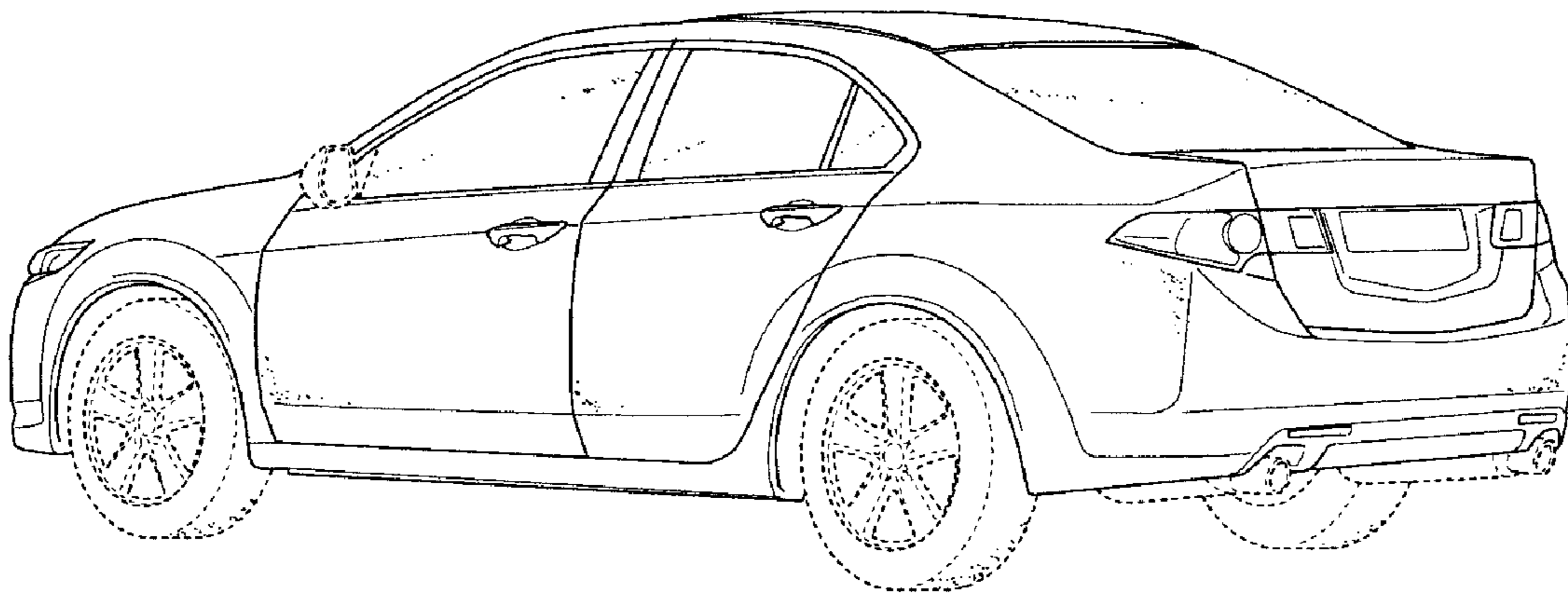
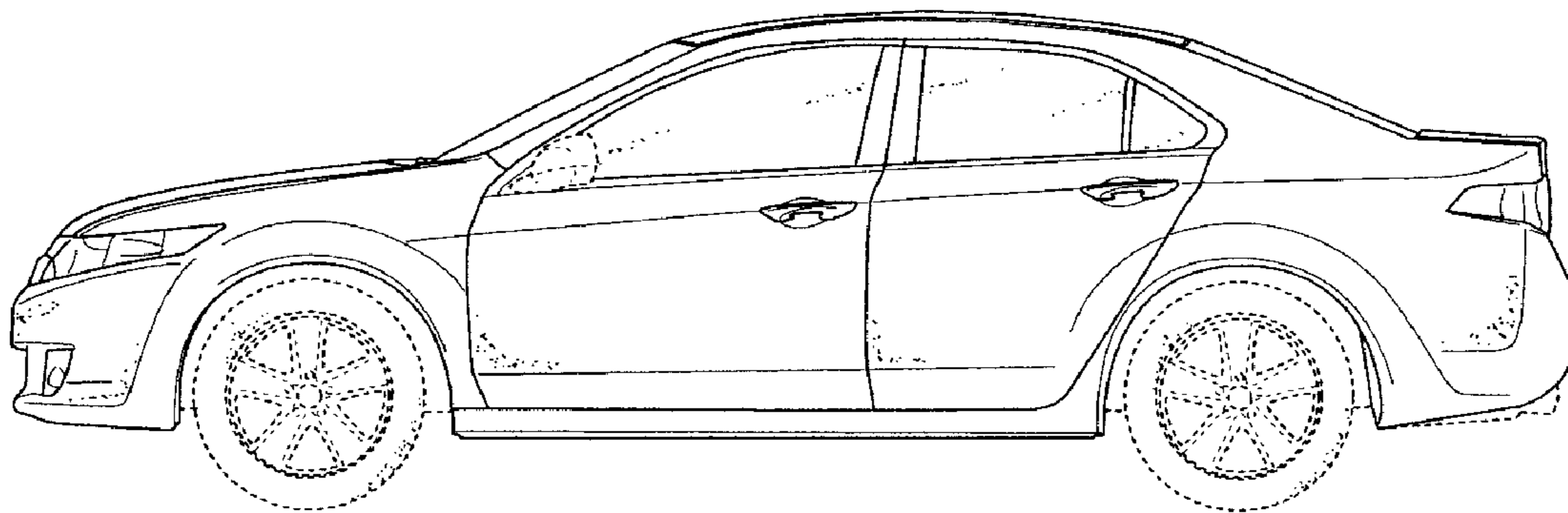
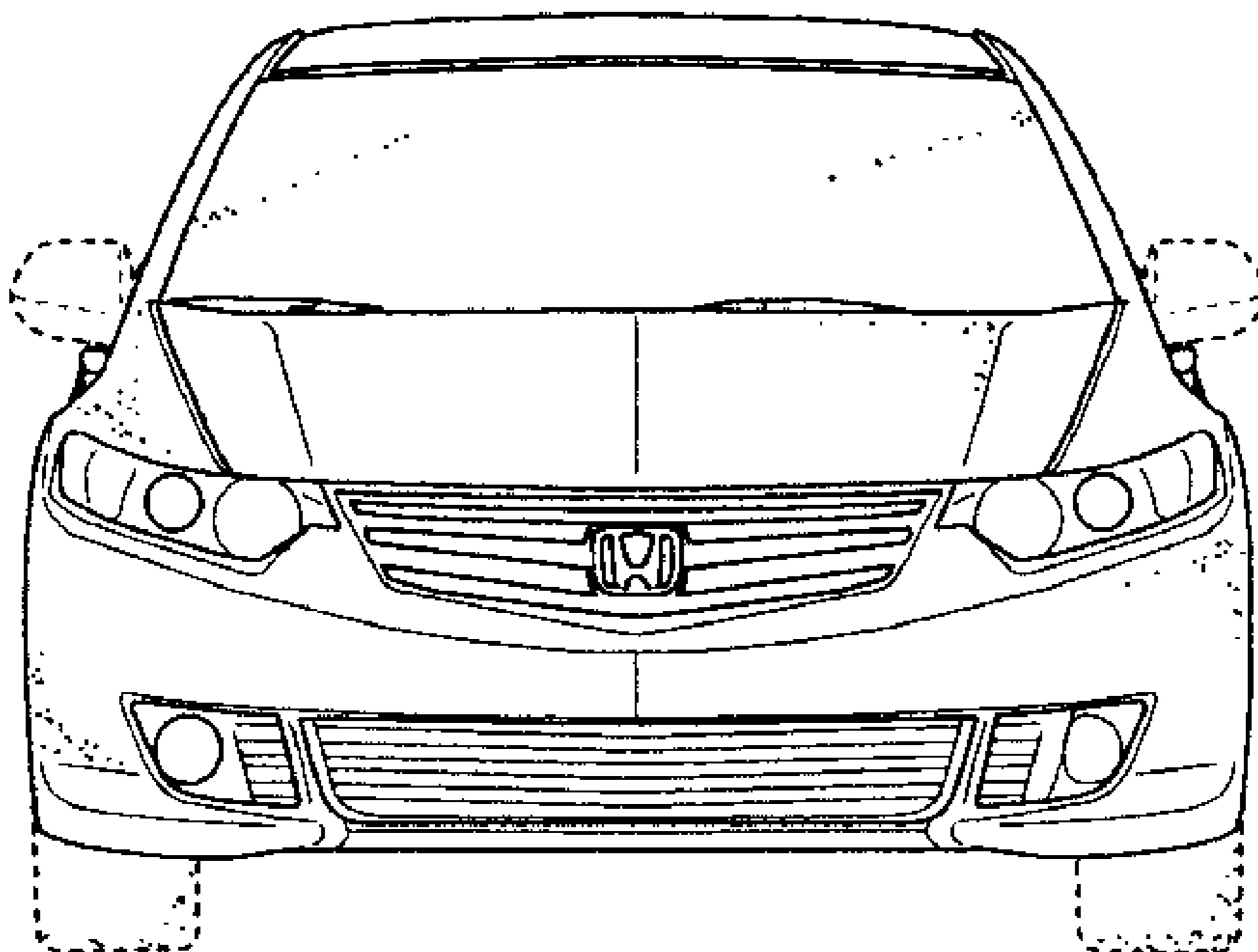


FIG. 3



# FIG. 4



# FIG. 5

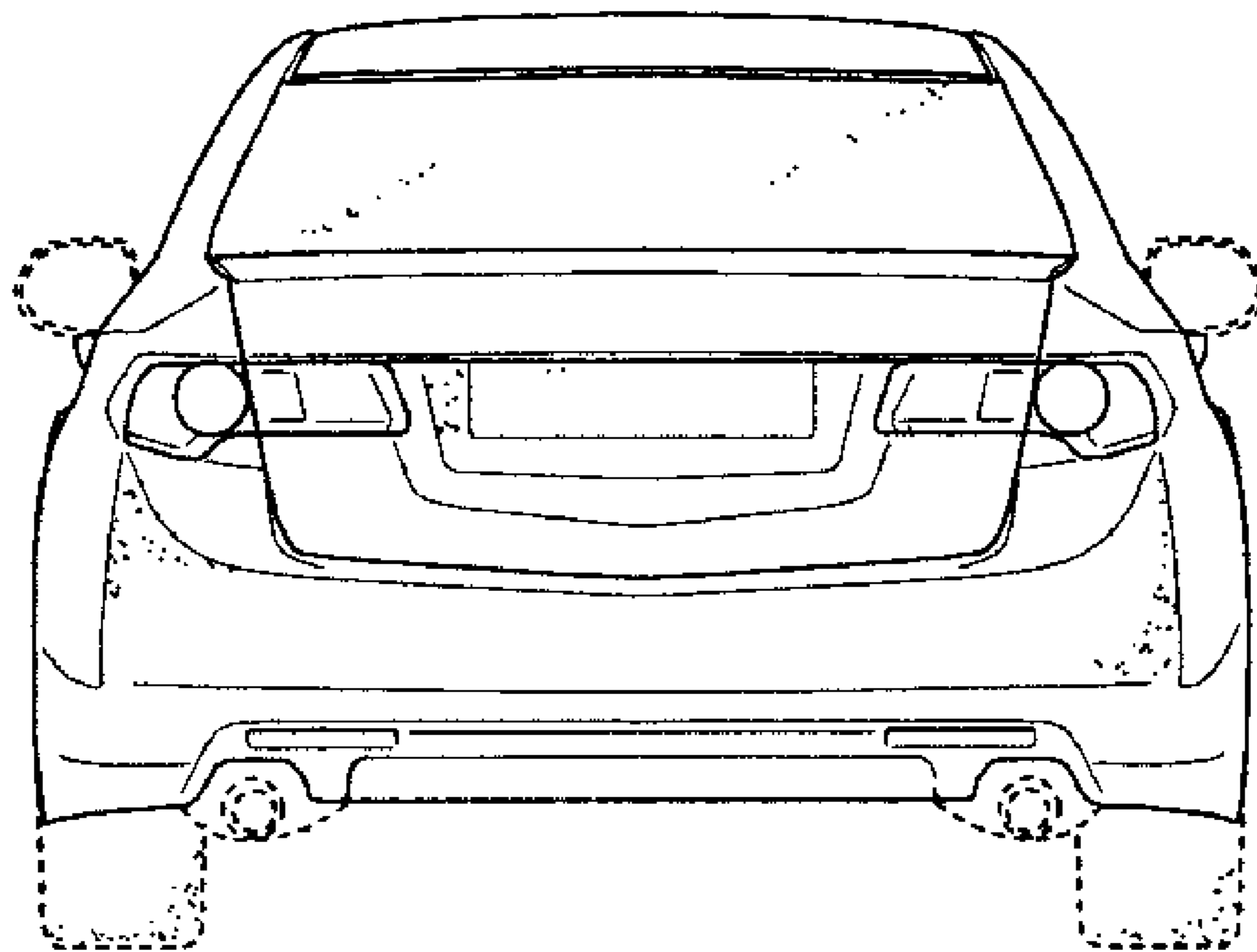


FIG. 6

