

US00D584187S

(12) **United States Design Patent**
Rossello et al.

(10) **Patent No.:** **US D584,187 S**
(45) **Date of Patent:** **** Jan. 6, 2009**

(54) **REAR BODY OF A GOLF CAR**

(75) Inventors: **Anthony R. Rossello**, Eagle Mountain, UT (US); **Jennifer Schroer**, Evans, GA (US); **Donald S. Hanson**, Evans, GA (US); **Bradley J. Hanson**, North Augusta, SC (US)

(73) Assignee: **Textron Inc.**, Providence, RI (US)

(**) Term: **14 Years**

(21) Appl. No.: **29/276,919**

(22) Filed: **Feb. 9, 2007**

(51) **LOC (9) Cl.** **12-02**

(52) **U.S. Cl.** **D12/16**

(58) **Field of Classification Search** D12/1, D12/16, 14, 107, 86, 85, 87, 88, 91, 3, 6, D12/82, 83; 280/DIG. 5; 180/233, 908, 180/6.5, 89.1; 296/183, 37.6, 186; 224/274
See application file for complete search history.

(56) **References Cited**

U.S. PATENT DOCUMENTS

D464,913 S *	10/2002	Cerny et al.	D12/86
D498,436 S	11/2004	Bonner et al.	
D498,704 S	11/2004	Bonner et al.	
D517,448 S *	3/2006	Essig	D12/16
7,240,948 B1 *	7/2007	Houston et al.	296/63
7,252,168 B2 *	8/2007	Lin et al.	180/208
D560,050 S *	1/2008	Tokach et al.	D34/35

2005/0093331 A1 *	5/2005	Moskos et al.	296/102
2006/0180383 A1 *	8/2006	Bataille et al.	180/311
2006/0230869 A1 *	10/2006	Cosby et al.	74/512
2006/0244281 A1 *	11/2006	Cover	296/37.15
2007/0057526 A1 *	3/2007	Bigelow et al.	296/65.03
2007/0152463 A1 *	7/2007	Hardy et al.	296/37.1
2007/0205634 A1 *	9/2007	Hanson et al.	296/191

* cited by examiner

Primary Examiner—Robert M. Spear

Assistant Examiner—Ania K Dworzecka

(74) *Attorney, Agent, or Firm*—Harness, Dickey & Pierce, P.L.C.

(57) **CLAIM**

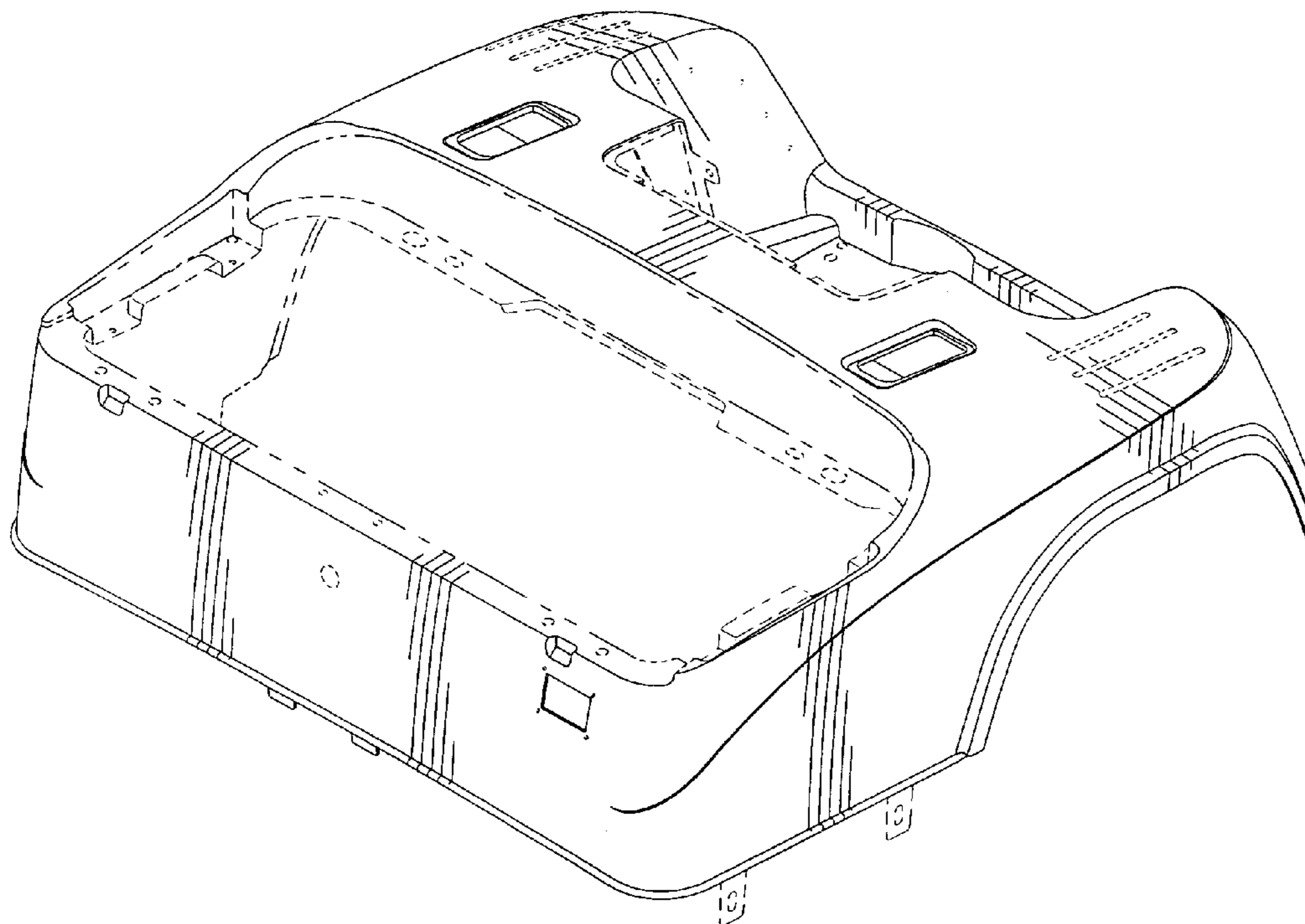
The ornamental design for a rear body of a golf car, as shown and described.

DESCRIPTION

FIG. 1 is a front perspective view of a rear body of a golf car; FIG. 2 is a front planar view thereof; FIG. 3 is a rear view thereof; FIG. 4 is a right side view thereof (the left side view being a mirror image of the right side); and, FIG. 5 is a top view thereof.

The lines shown in phantom including the small apertures shown in FIGS. 1, 3, and 5 are for illustrative purposes only and do not form part of the invention.

1 Claim, 3 Drawing Sheets



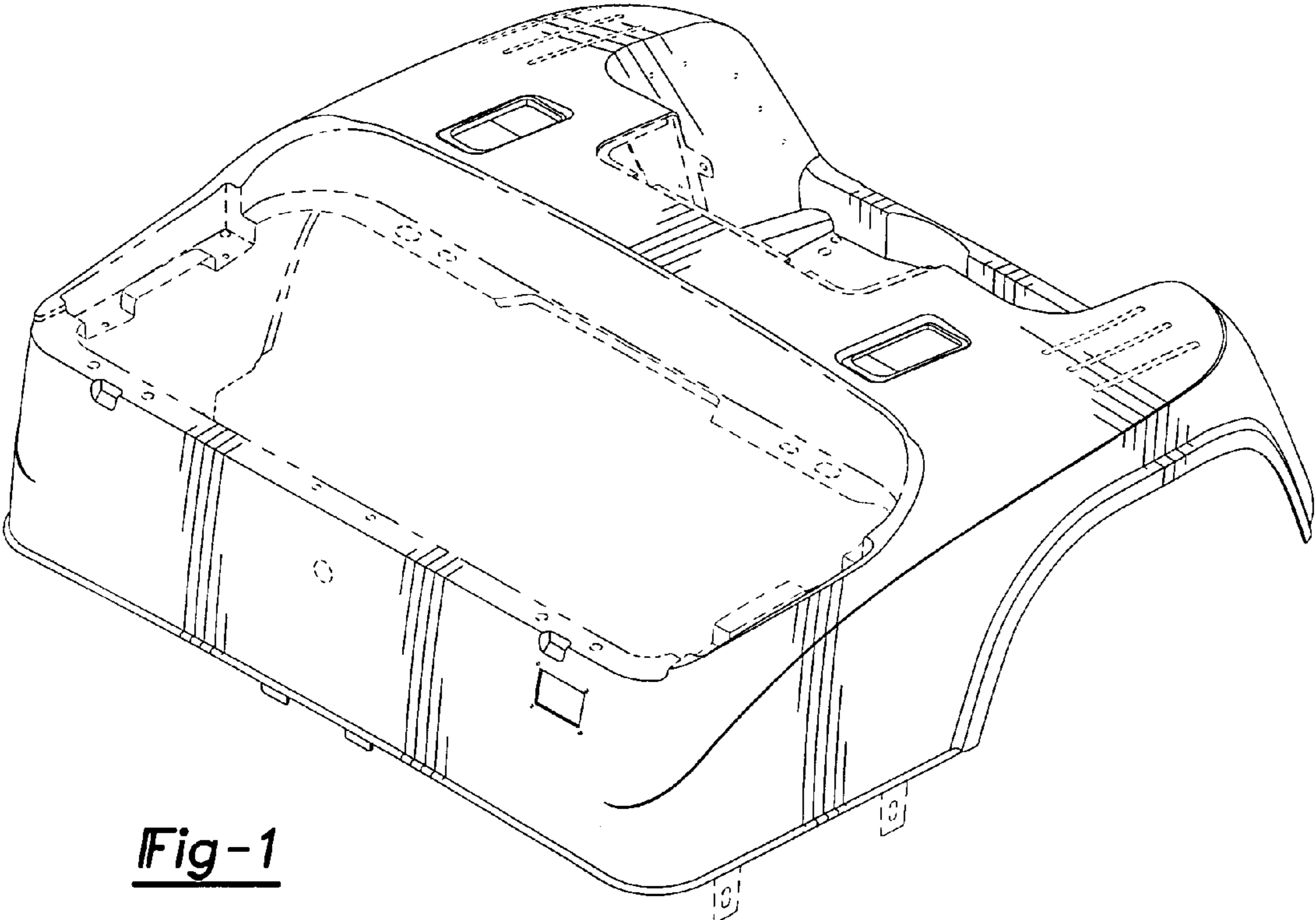


Fig-1

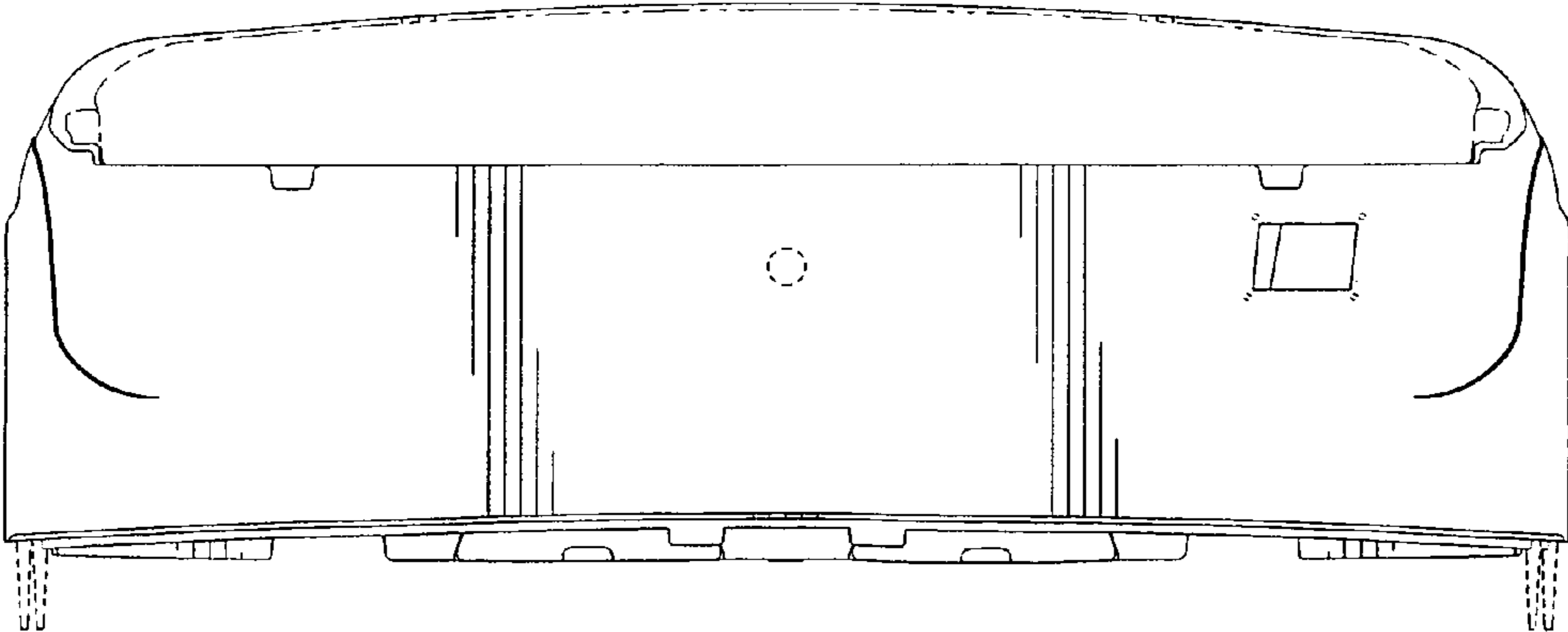


Fig-2

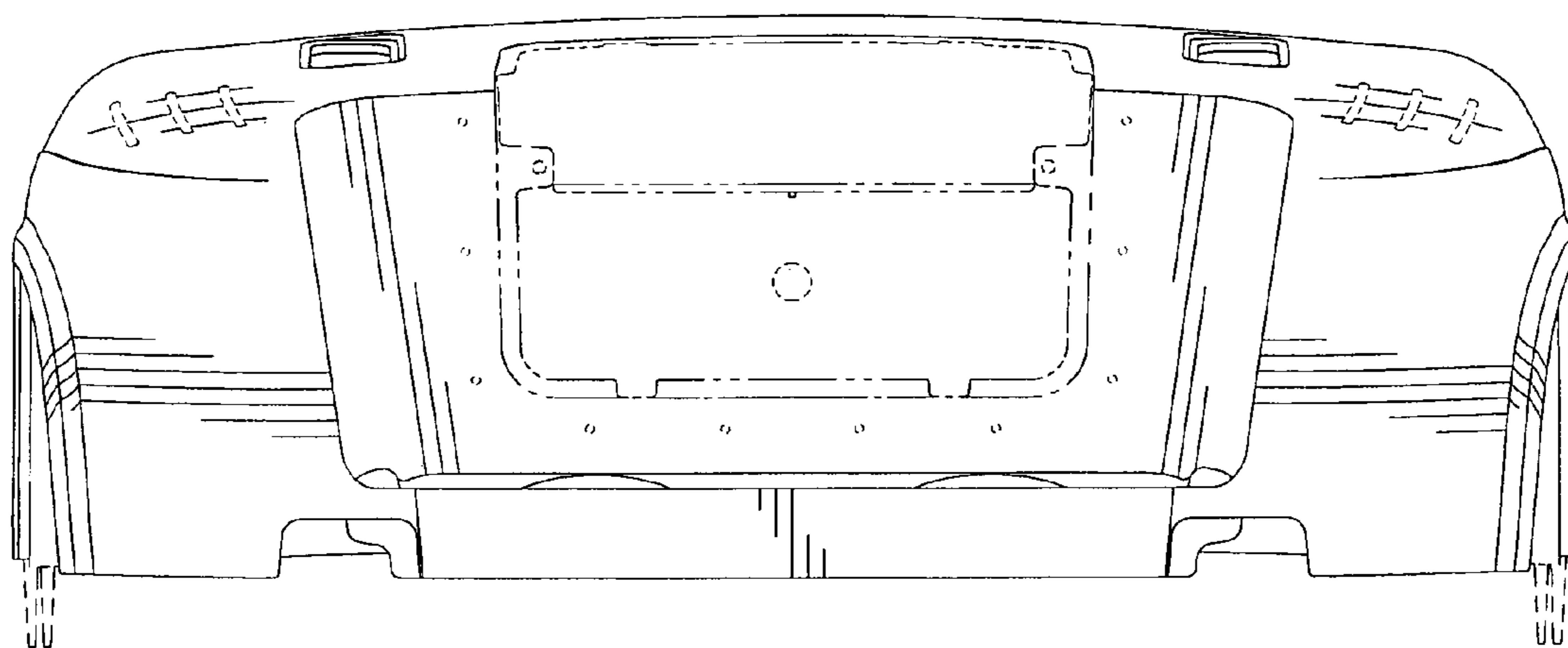


Fig-3

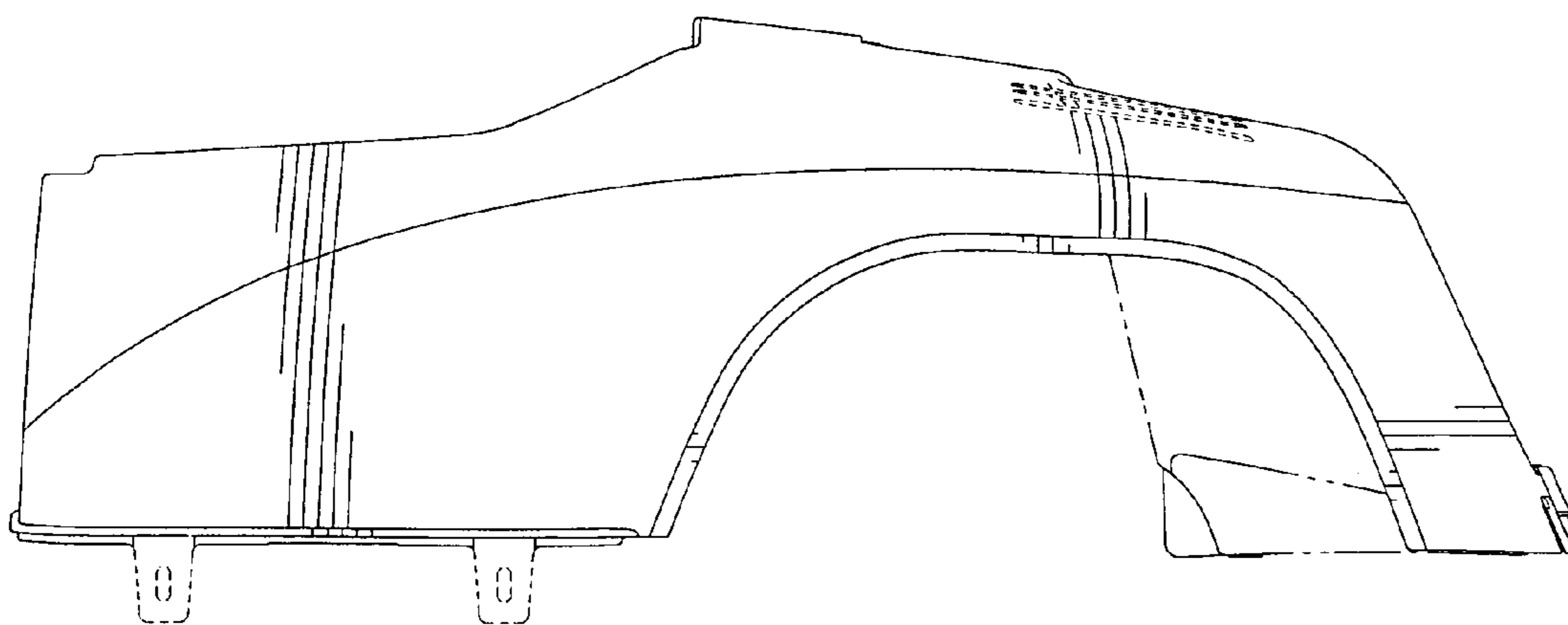


Fig-4

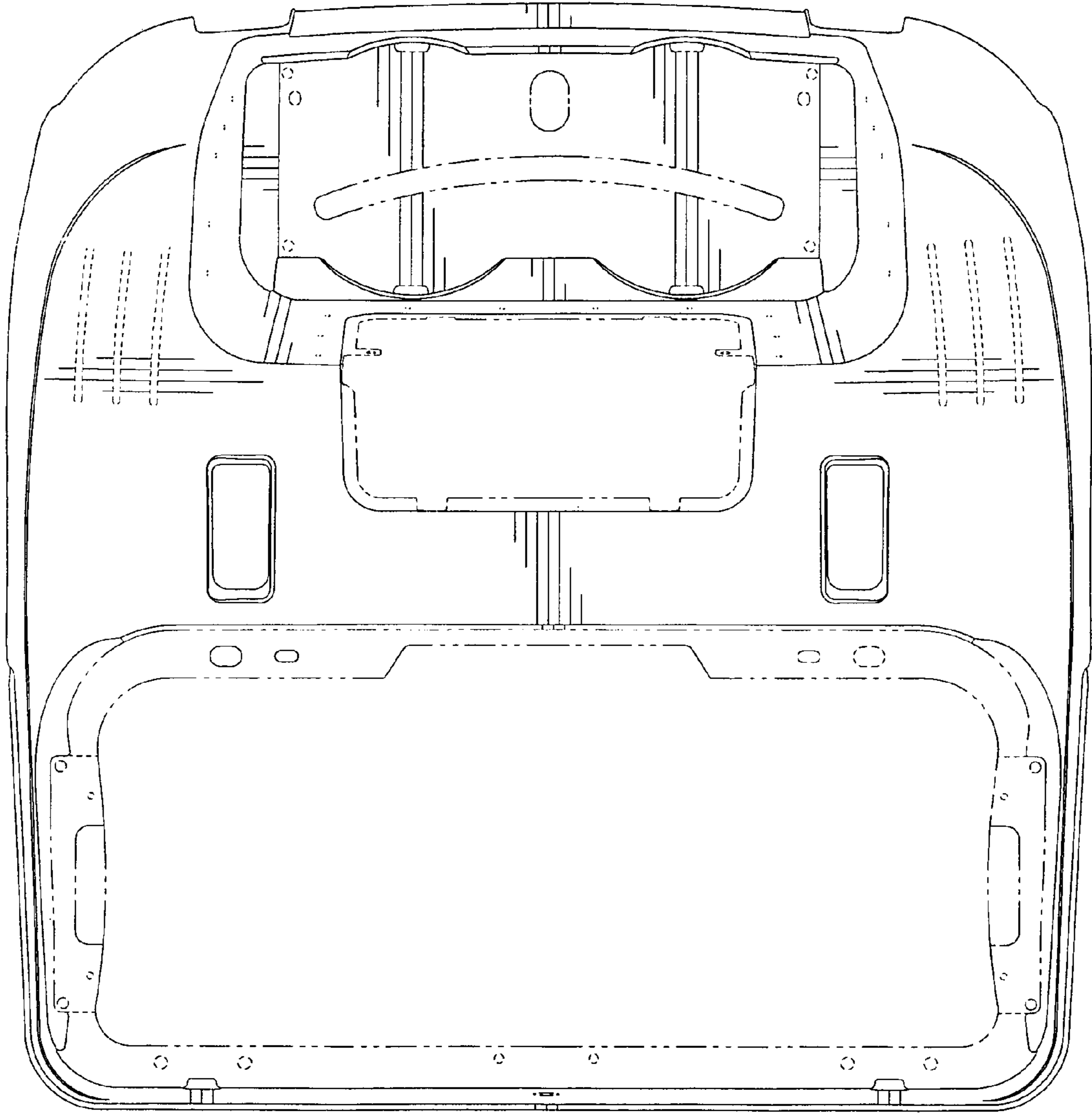


Fig-5