



US00D584184S

(12) **United States Design Patent**
Dholakiya

(10) **Patent No.:** **US D584,184 S**
(45) **Date of Patent:** **** Jan. 6, 2009**

(54) **DIAMOND SETTING**

D577,307 S * 9/2008 Gurfinkel D11/91

(76) Inventor: **Hasmukh Dholakiya**, 15 W. 47th St.,
Suite #303, New York, NY (US) 10036

* cited by examiner

(**) Term: **14 Years**

Primary Examiner—T. Chase Nelson

Assistant Examiner—David G Muller

(21) Appl. No.: **29/323,989**

(74) *Attorney, Agent, or Firm*—Jennifer Meredith, Esq;
Meredith & Keyhani, PLLC

(22) Filed: **Sep. 4, 2008**

(57) **CLAIM**

(51) **LOC (9) Cl.** **11-01**

The ornamental design for a diamond setting, as shown and described.

(52) **U.S. Cl.** **D11/91**

(58) **Field of Classification Search** D11/89–93,
D11/1, 2, 6–12, 16, 24–28, 34–43, 79, 70,
D11/222, 47, 75; 63/1.11–14.1, 15–15.4,
63/20, 22, 23, 26–33

DESCRIPTION

See application file for complete search history.

FIG. 1 is a top view of a diamond setting according to the present invention

FIG. 2 is a front elevation view thereof;

FIG. 3 is a side elevation view thereof;

FIG. 4 is a perspective view thereof;

(56) **References Cited**

U.S. PATENT DOCUMENTS

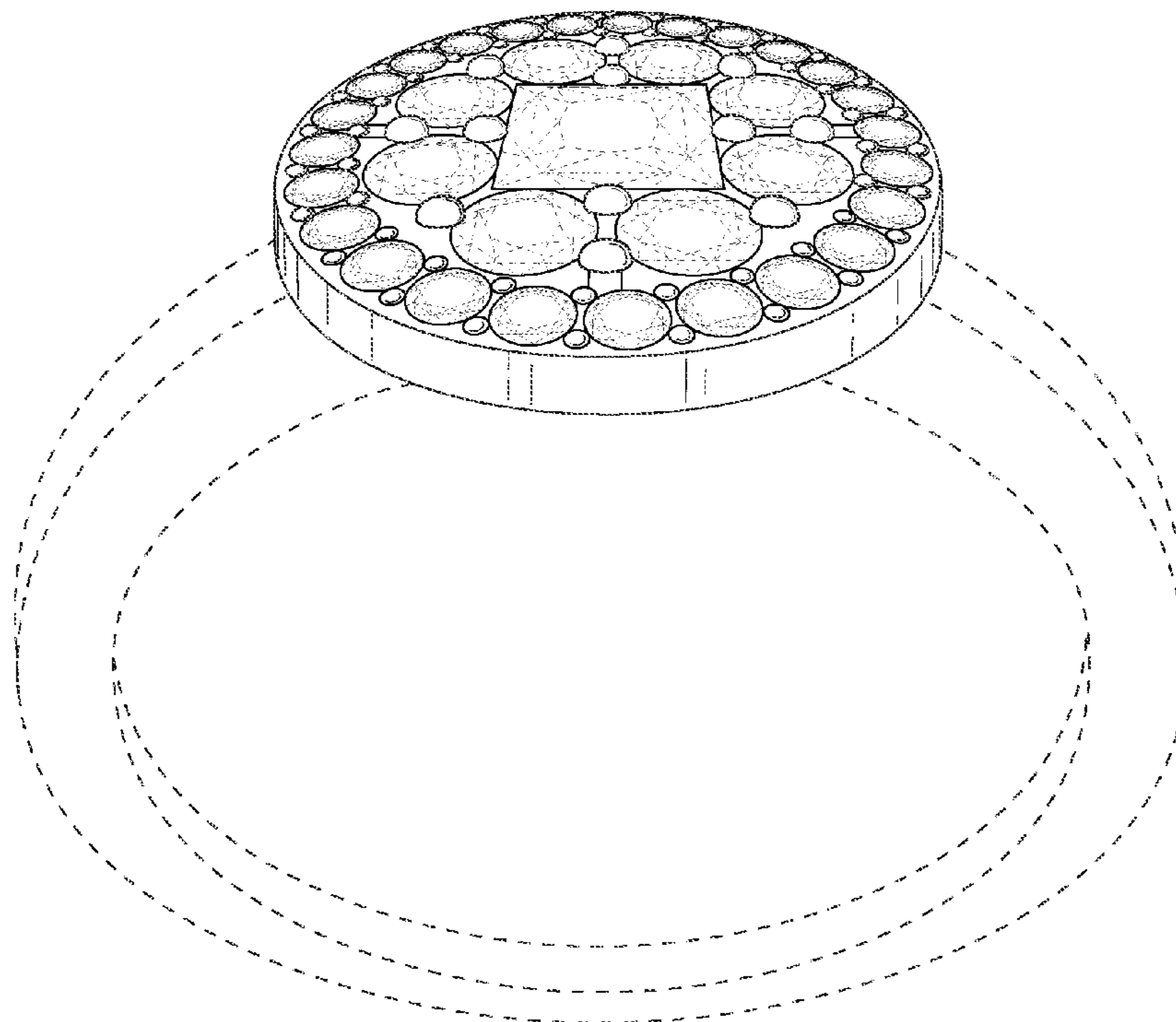
D483,687 S *	12/2003	Chan	D11/91
D485,509 S *	1/2004	Shagalov	D11/91
D496,604 S *	9/2004	Pinto et al.	D11/91
D508,868 S *	8/2005	Pinto et al.	D11/92
D515,451 S *	2/2006	Pinto et al.	D11/7
D537,380 S *	2/2007	Emelyanov	D11/91
D538,696 S *	3/2007	Azrielant	D11/28
D542,694 S *	5/2007	Schweizer	D11/34
D542,695 S *	5/2007	Schweizer	D11/34
D553,543 S *	10/2007	Kothari	D11/92
D556,083 S *	11/2007	Kothari	D11/91
D560,136 S *	1/2008	Grassi Damiani	D11/34

FIG. 5 is a perspective view thereof attached to a necklace, the necklace and attachment loop shown in broken line forming no part of the claimed design; and,

FIG. 6 is a perspective view thereof attached to an earring fastener, the fastener shown in broken line forming no part of the claimed design.

The ring shown in broken lines in FIGS. 1–4 and the gem facets shown in broken lines depict environmental subject matter only and form no part of the claimed design.

1 Claim, 6 Drawing Sheets



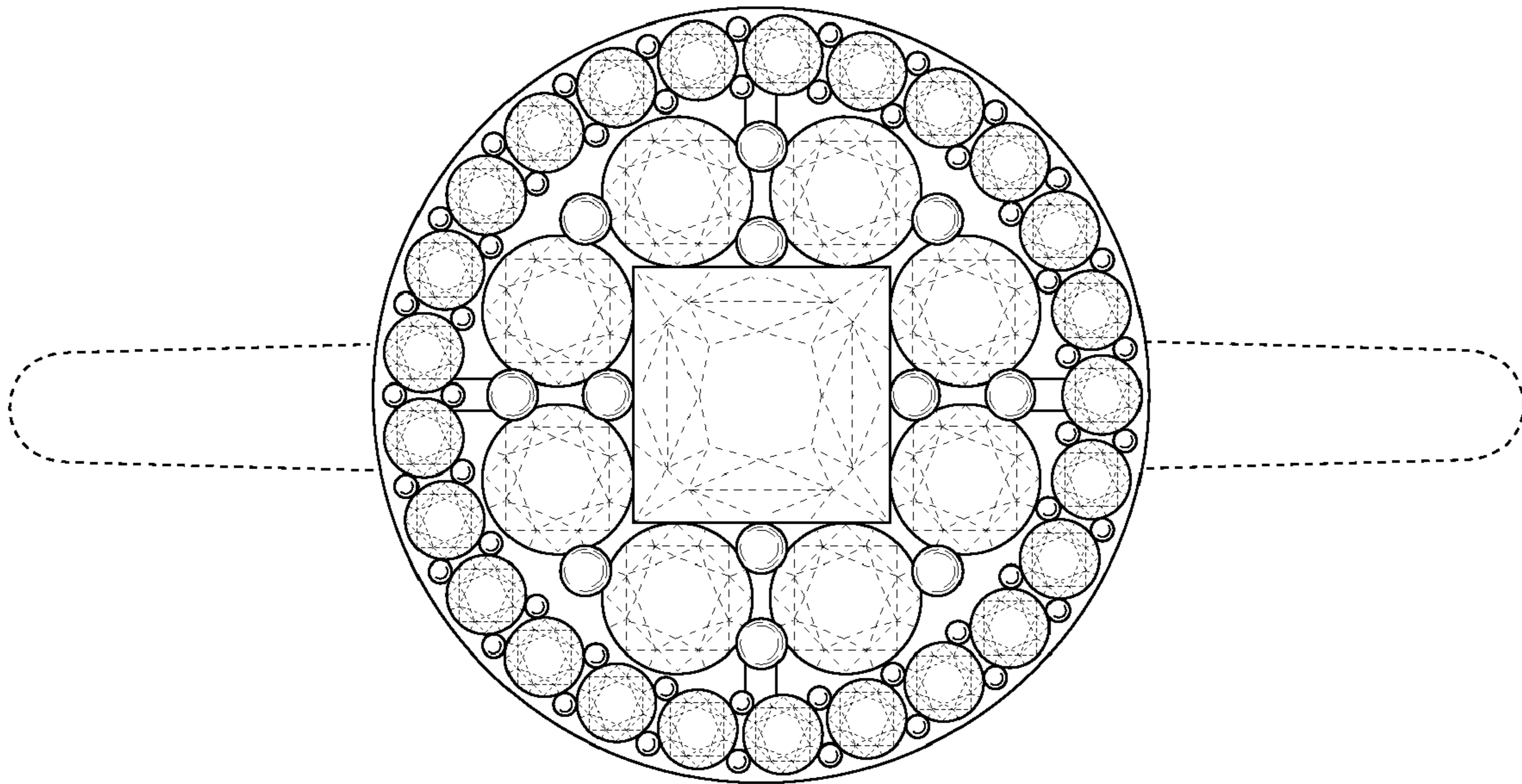


Fig. 1

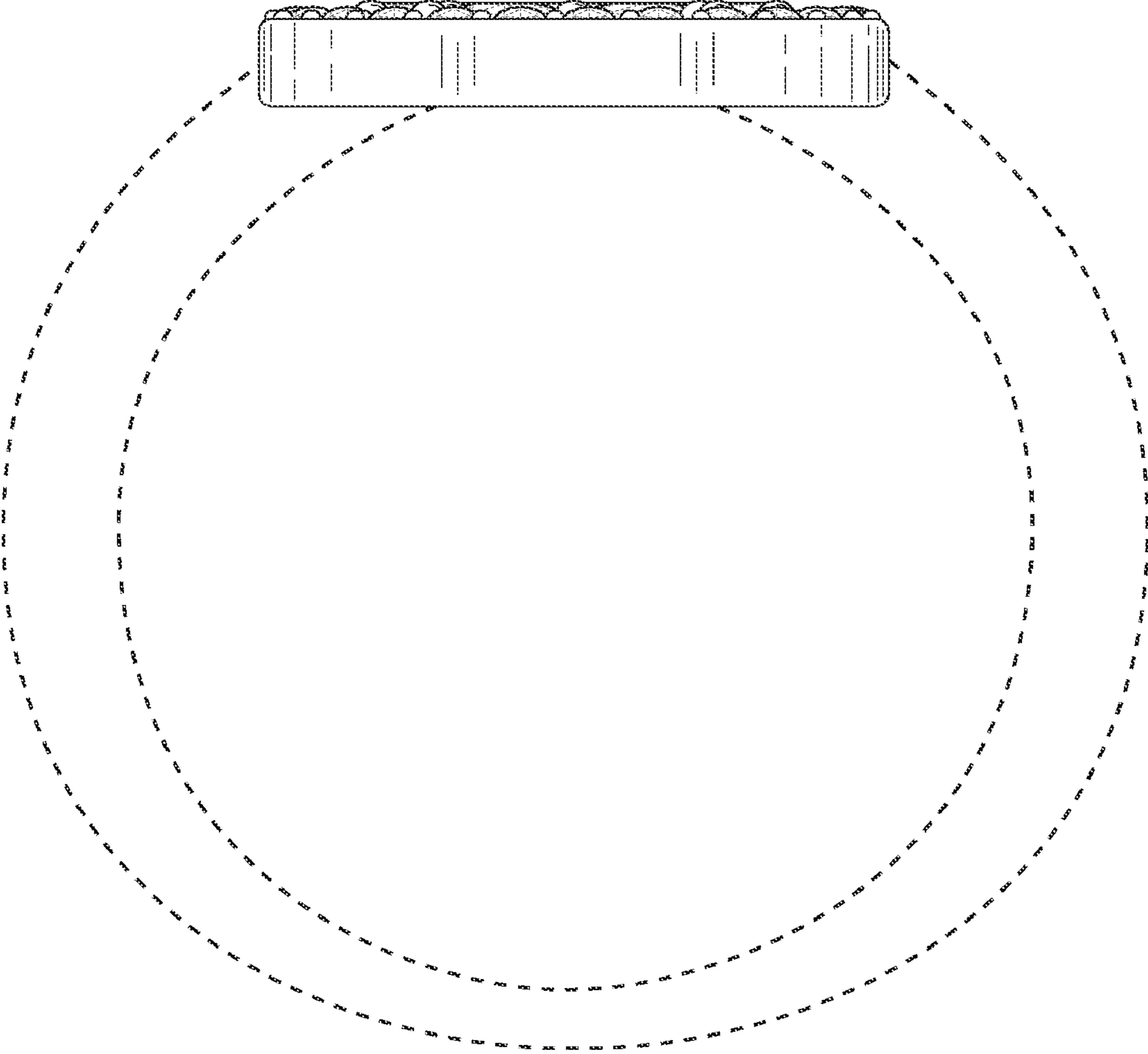


Fig. 2

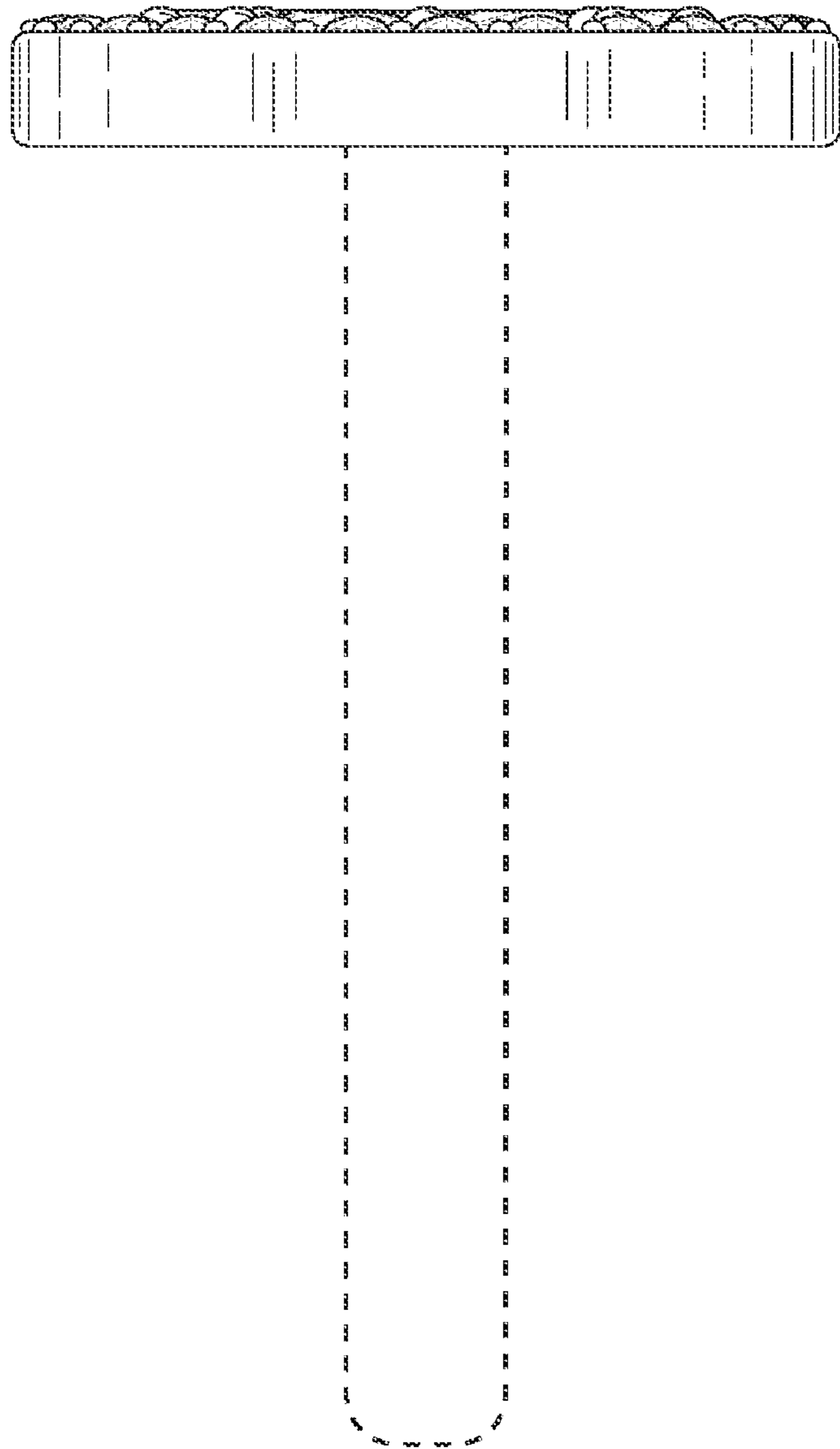


Fig. 3

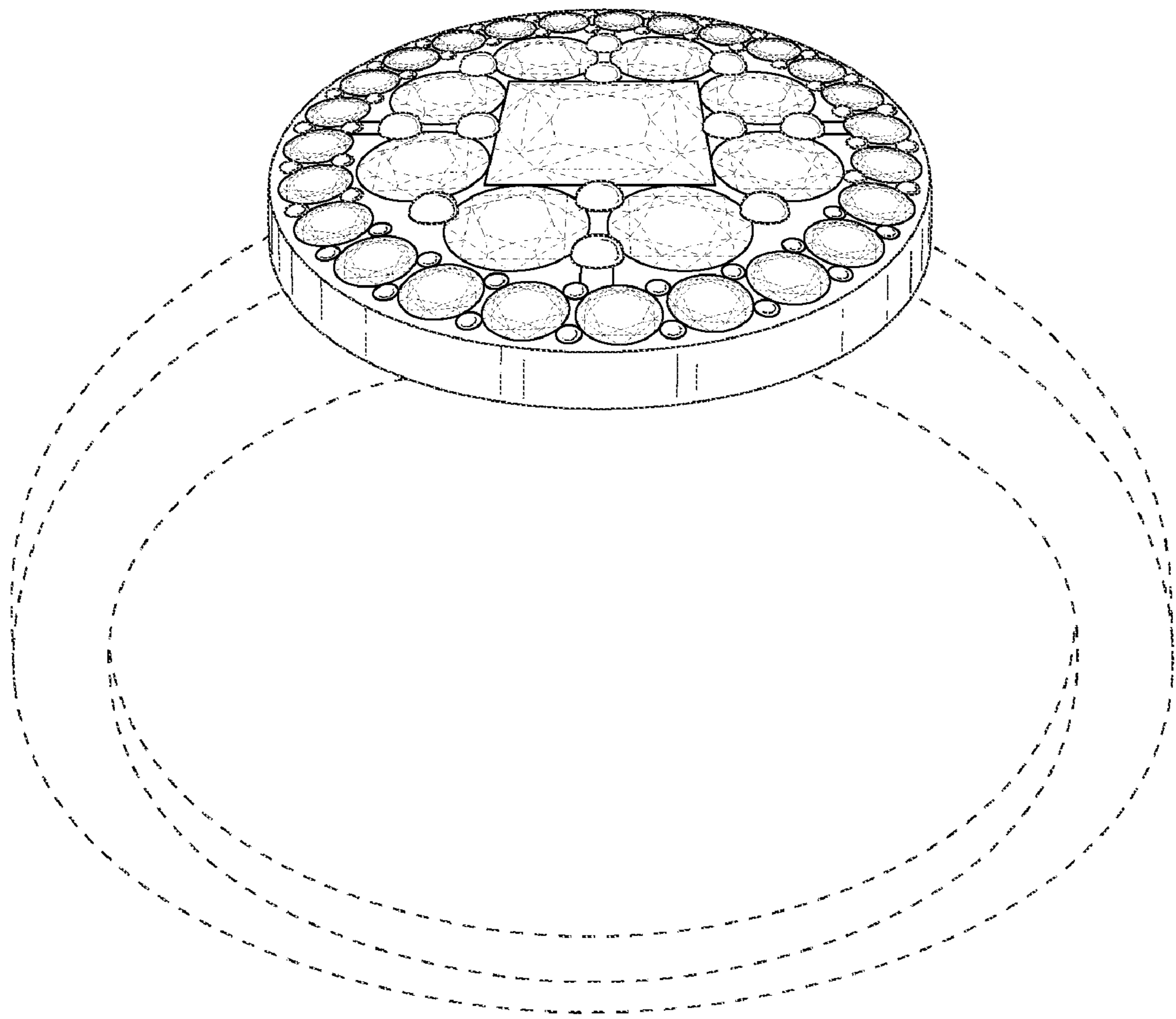


Fig. 4

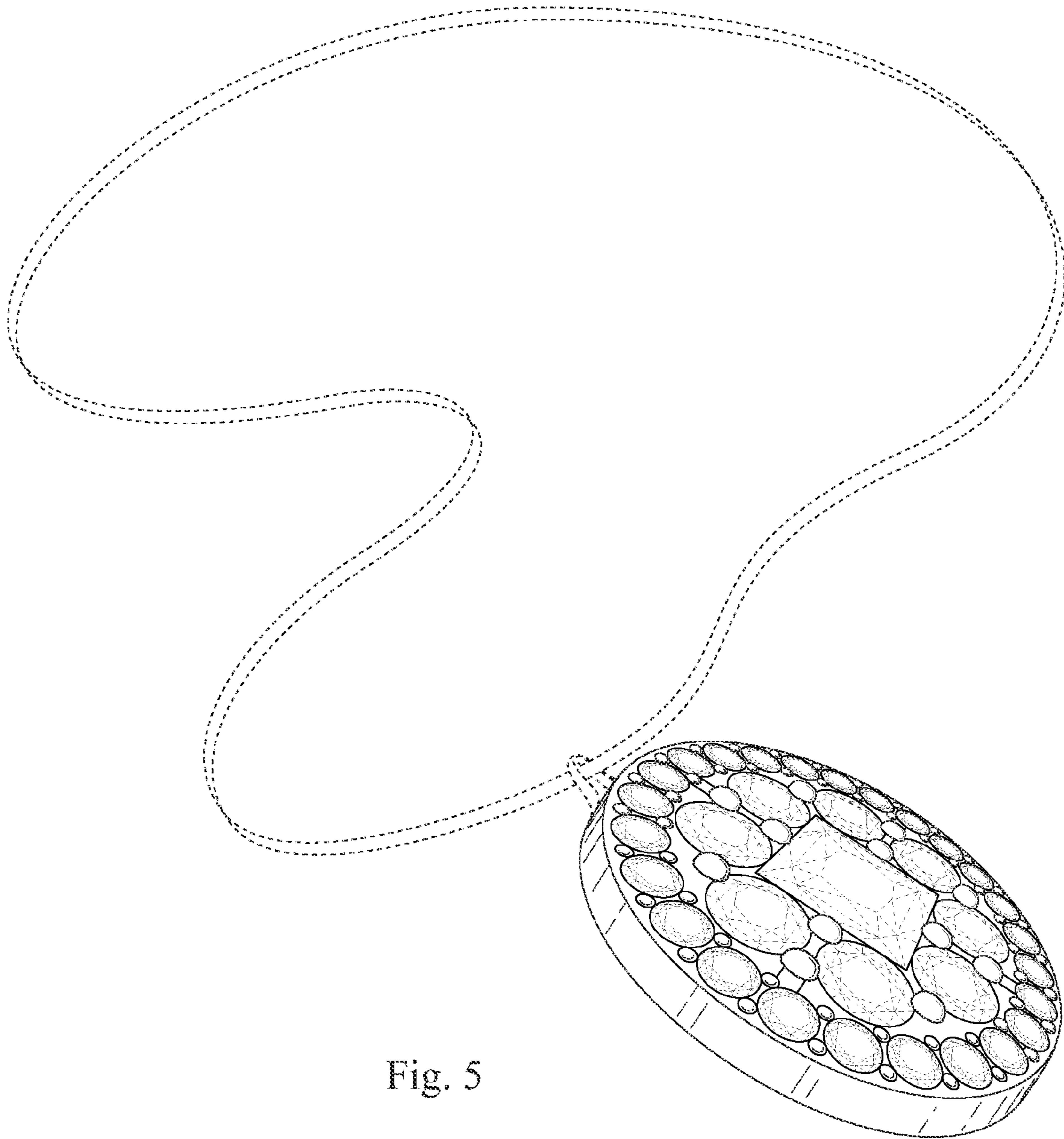


Fig. 5

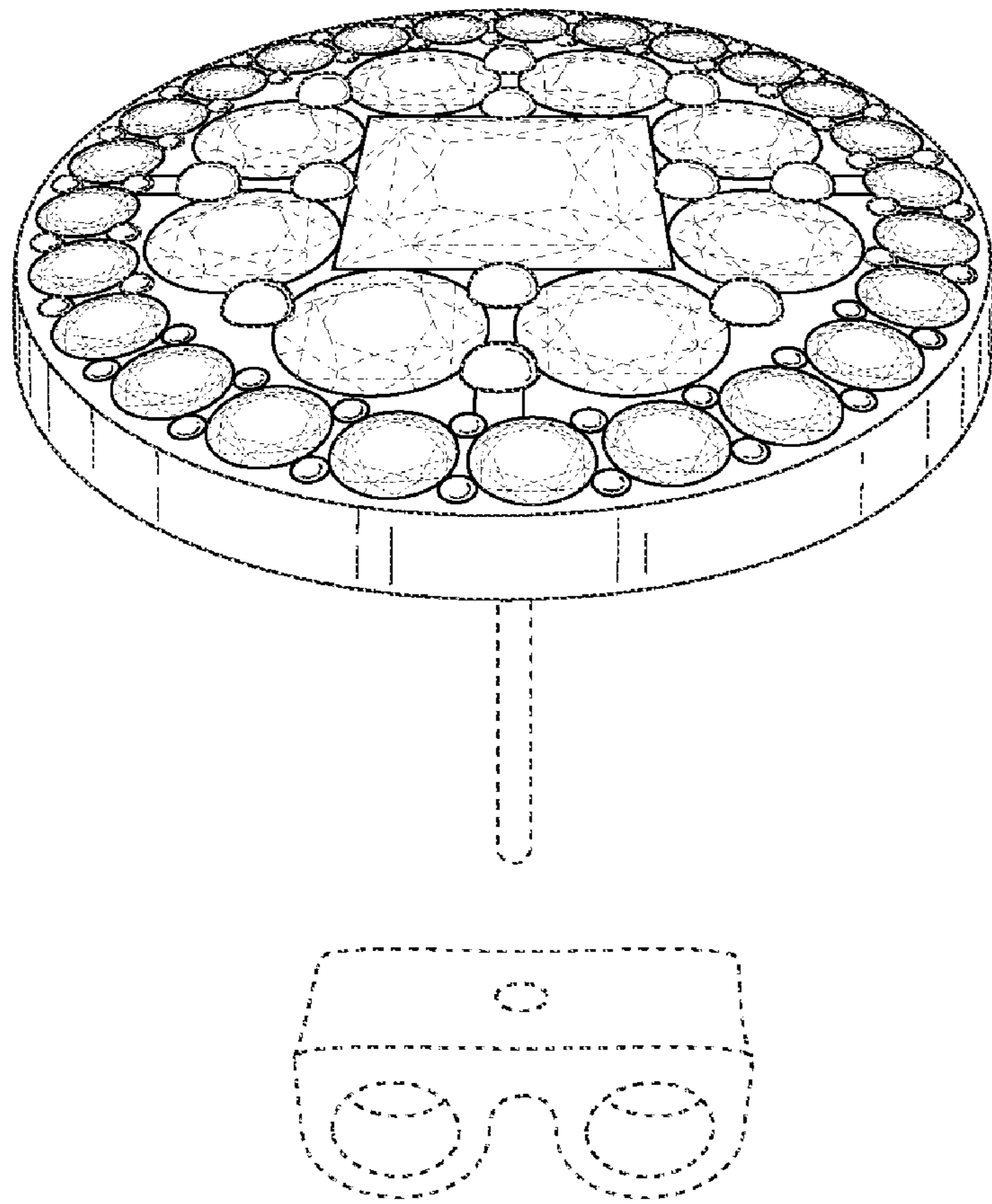


Fig. 6