



US00D584181S

(12) **United States Design Patent**  
**Poon**

(10) **Patent No.:** **US D584,181 S**  
(45) **Date of Patent:** **\*\* Jan. 6, 2009**

(54) **LIGHT TOWER**

(75) Inventor: **Tit Wing Poon**, Fo Tan (HK)

(73) Assignee: **Tupor Limited**, Fo Tan (HK)

(\*\*) Term: **14 Years**

(21) Appl. No.: **29/249,872**

(22) Filed: **Oct. 24, 2006**

(30) **Foreign Application Priority Data**

May 15, 2006 (HK) ..... 0601280

(51) **LOC (9) Cl.** ..... **10-05**

(52) **U.S. Cl.** ..... **D10/114; D10/109; D10/111**

(58) **Field of Classification Search** ..... D26/24,  
D26/67-73, 80, 86, 88, 90, 85; D10/104-121;  
340/815, 432, 908.1, 815.03, 760, 761, 767,  
340/782, 471, 473; 362/404-408, 147, 370,  
362/348, 350, 145, 153, 153.1, 257, 276,  
362/312, 330, 351, 354, 358, 361-363, 431-433,  
362/806, 253, 364, 158, 157, 100, 103, 40,  
362/414, 183-208

See application file for complete search history.

(56) **References Cited**

**U.S. PATENT DOCUMENTS**

5,045,978 A \* 9/1991 Gargle ..... 362/101  
5,213,411 A \* 5/1993 Haus et al. .... 362/368  
6,278,382 B1 \* 8/2001 DeMarco et al. .... 340/981

6,695,462 B2 \* 2/2004 Rohlfing et al. .... 362/328  
D513,477 S \* 1/2006 Heftman ..... D10/111  
D544,805 S \* 6/2007 Corrigan et al. .... D10/111  
2005/0281039 A1 \* 12/2005 Yeh ..... 362/396  
2006/0274541 A1 \* 12/2006 Sheen ..... 362/488

\* cited by examiner

*Primary Examiner*—Cathron C Brooks

*Assistant Examiner*—Barbara Fox

(74) *Attorney, Agent, or Firm*—Intellectual Property Law  
Group LLP; Otto O. Lee; Juneko Jackson

(57) **CLAIM**

The ornamental design for a light tower, as shown and  
described.

**DESCRIPTION**

FIG. 1 is a top perspective view of a light tower embodying  
my new design;

FIG. 2 is a bottom perspective view thereof;

FIG. 3 is a front elevational view thereof;

FIG. 4 is a rear elevational view thereof;

FIG. 5 is a right side elevational view thereof;

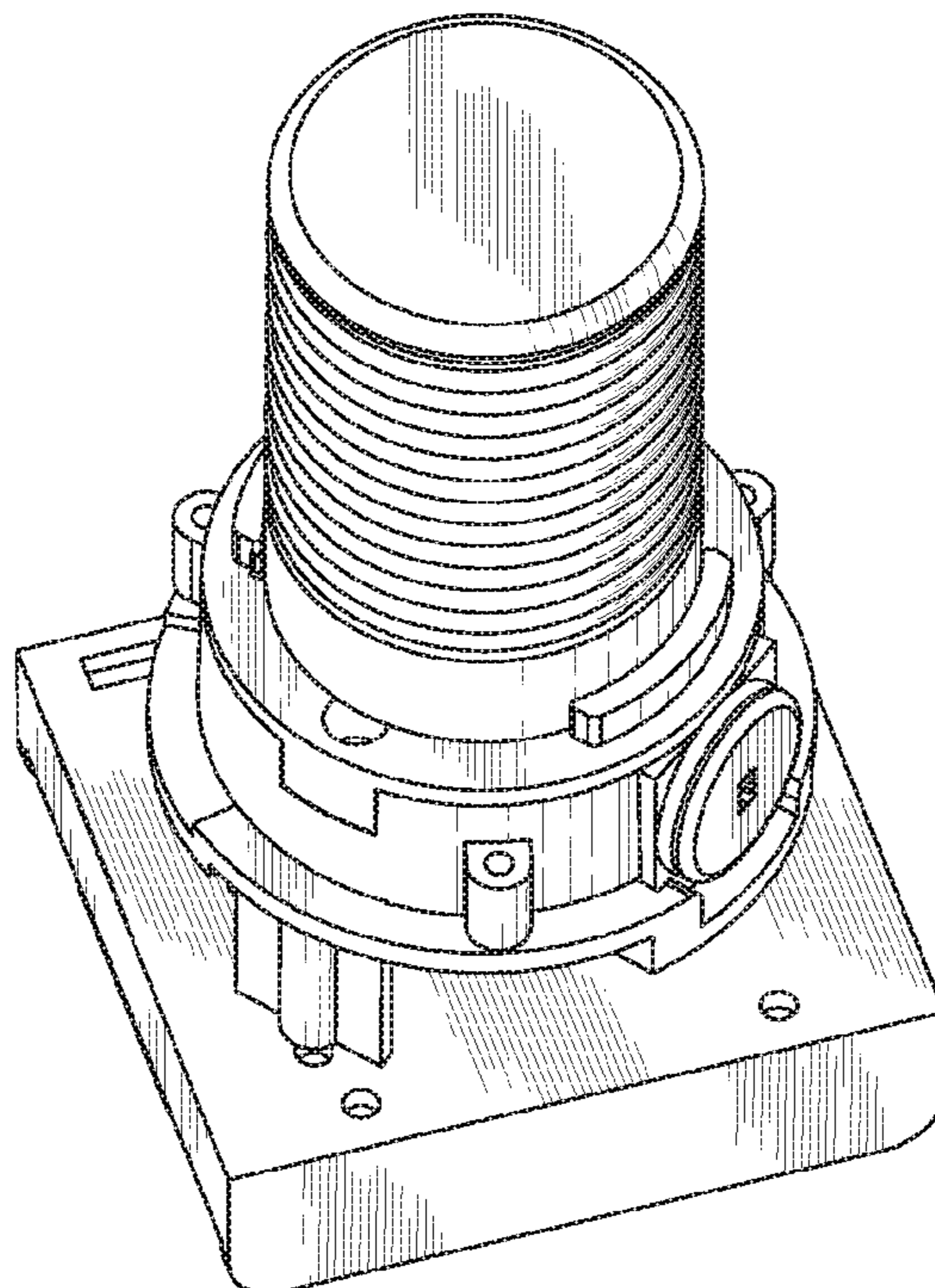
FIG. 6 is a left side elevational view thereof.

FIG. 7 is a top plan view thereof; and,

FIG. 8 is a bottom plan view thereof.

The portions shown in broken lines on FIG. 2 are for illustra-  
tive purposes only and form no part of the claimed design.

**1 Claim, 4 Drawing Sheets**



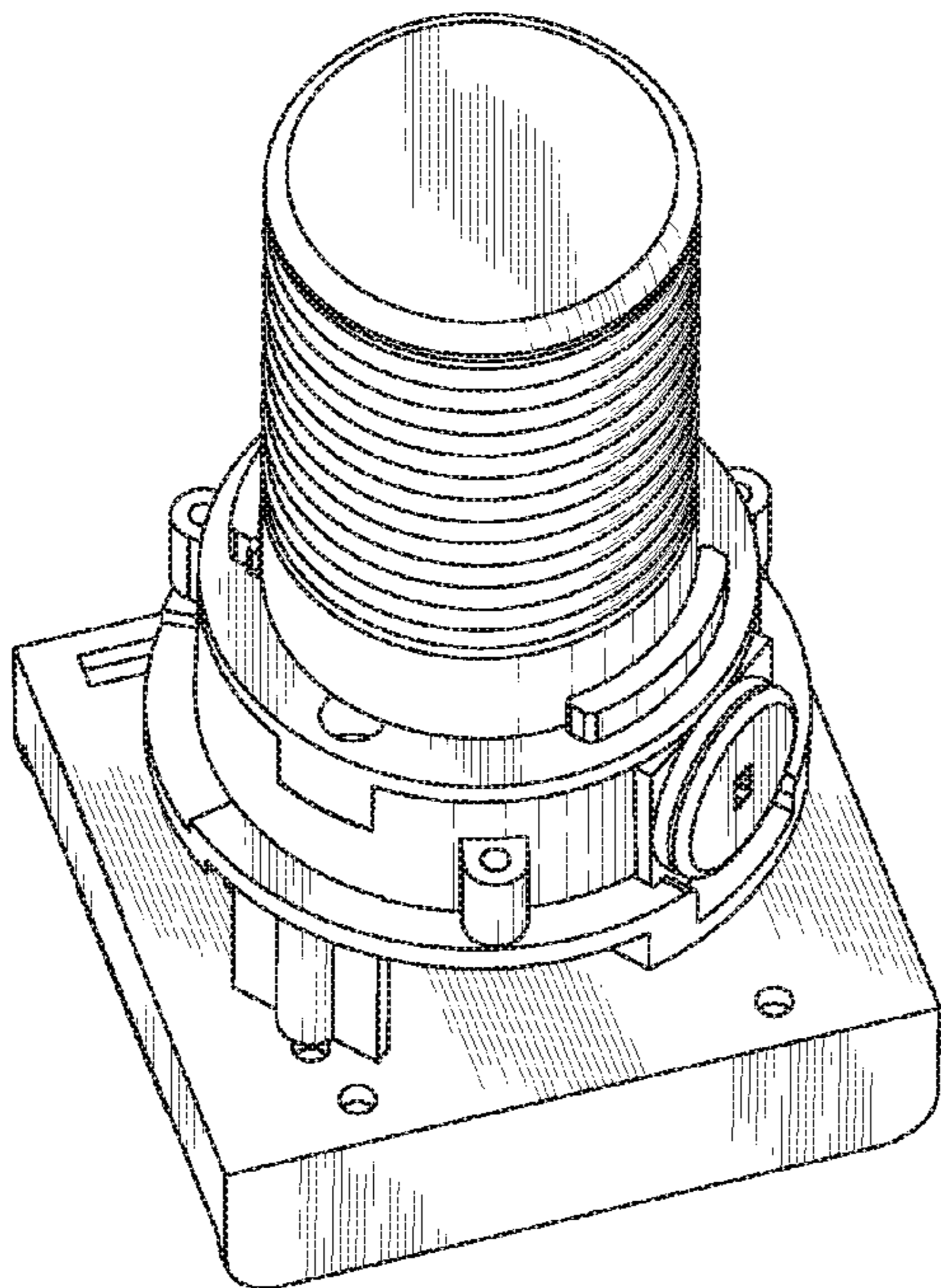


FIG. 1

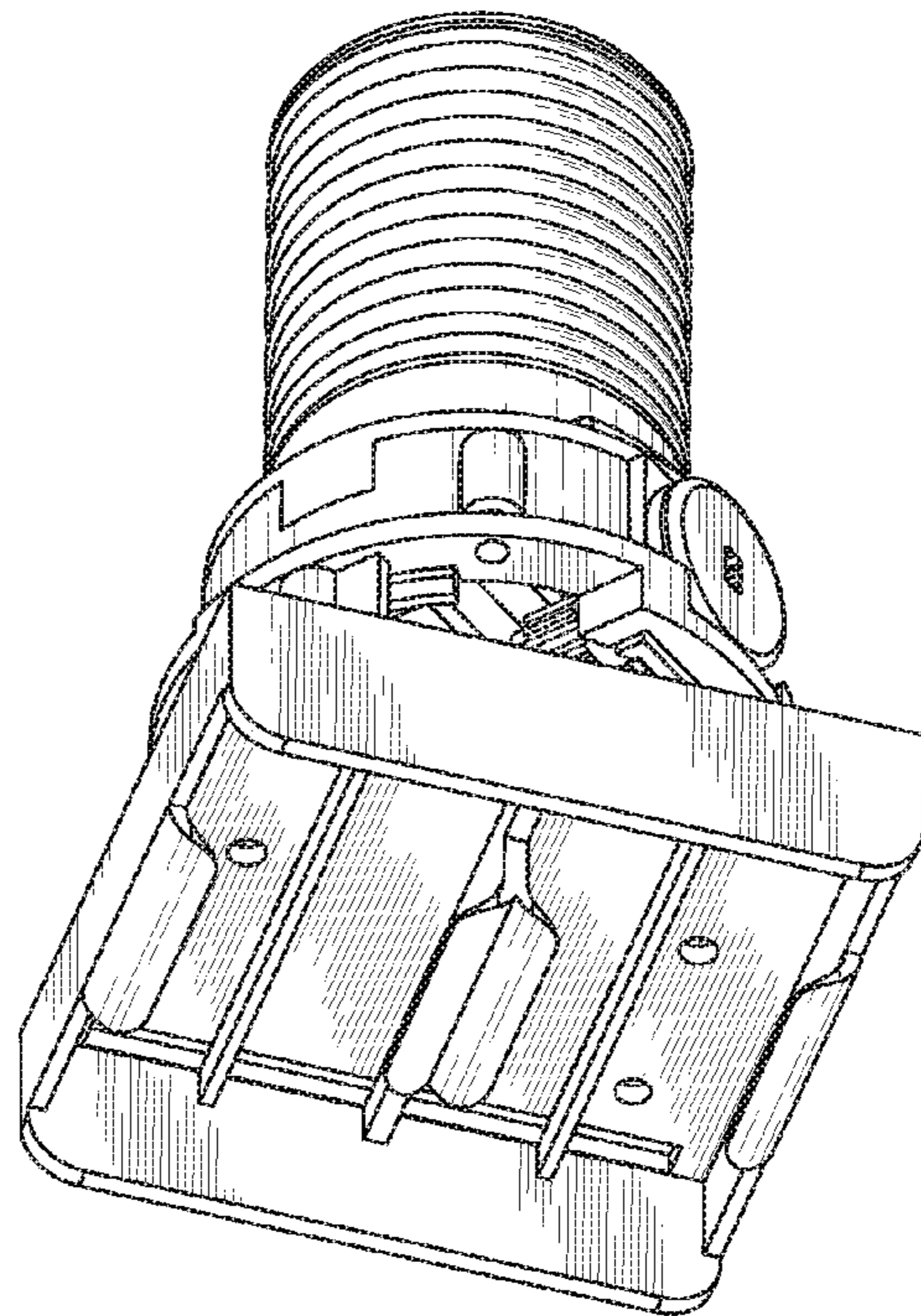
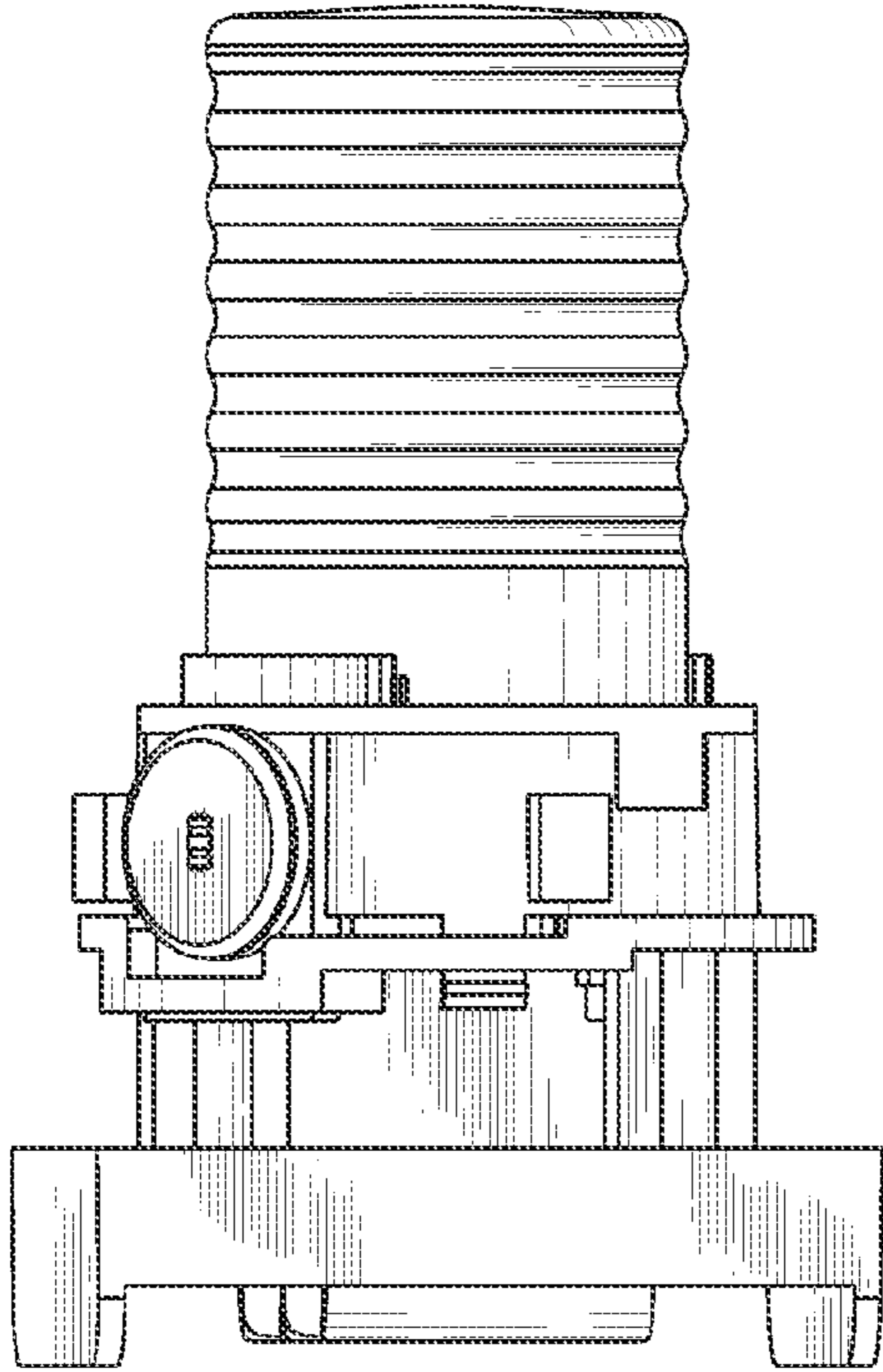
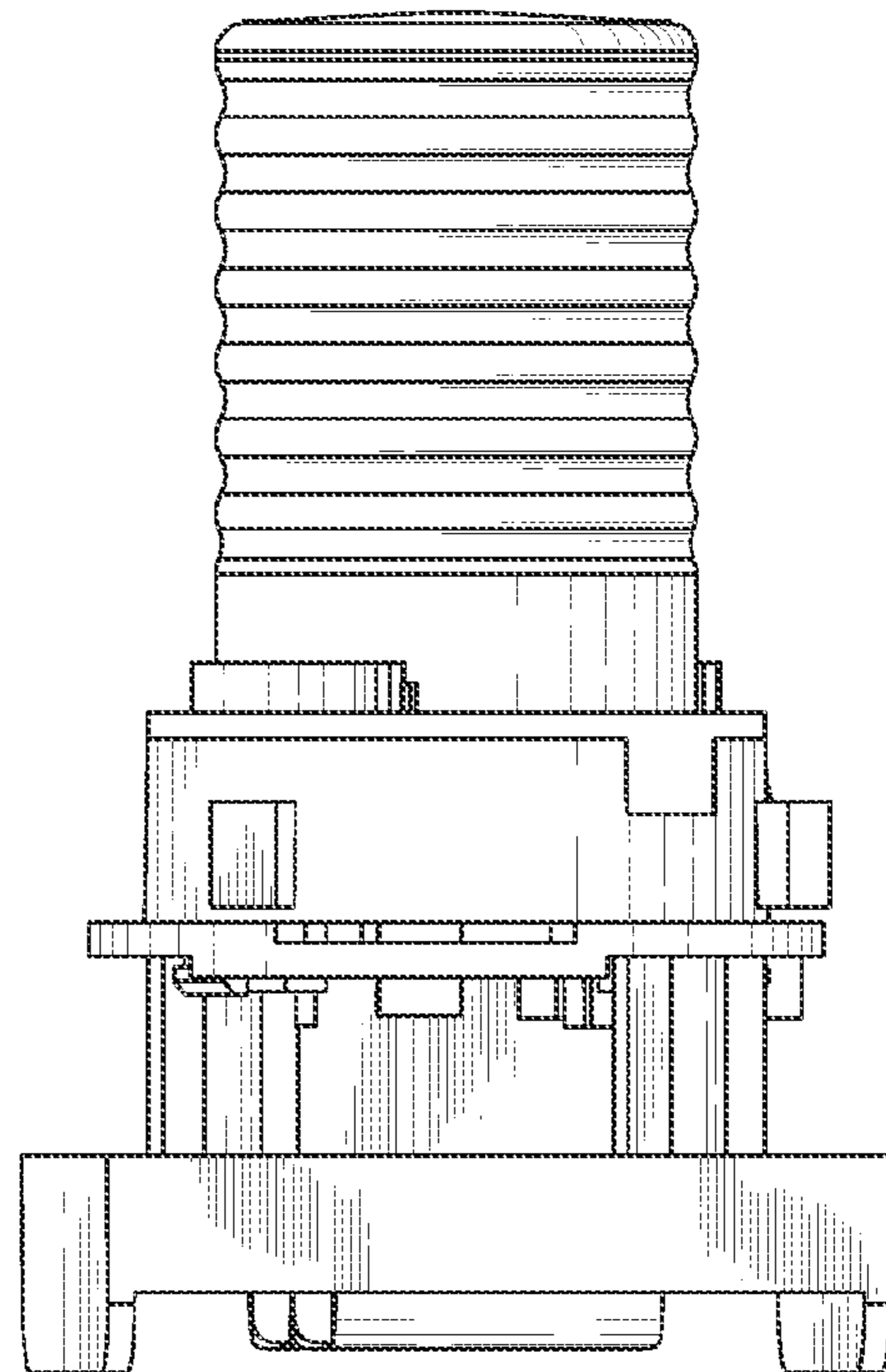


FIG. 2



*FIG. 3*



*FIG. 4*

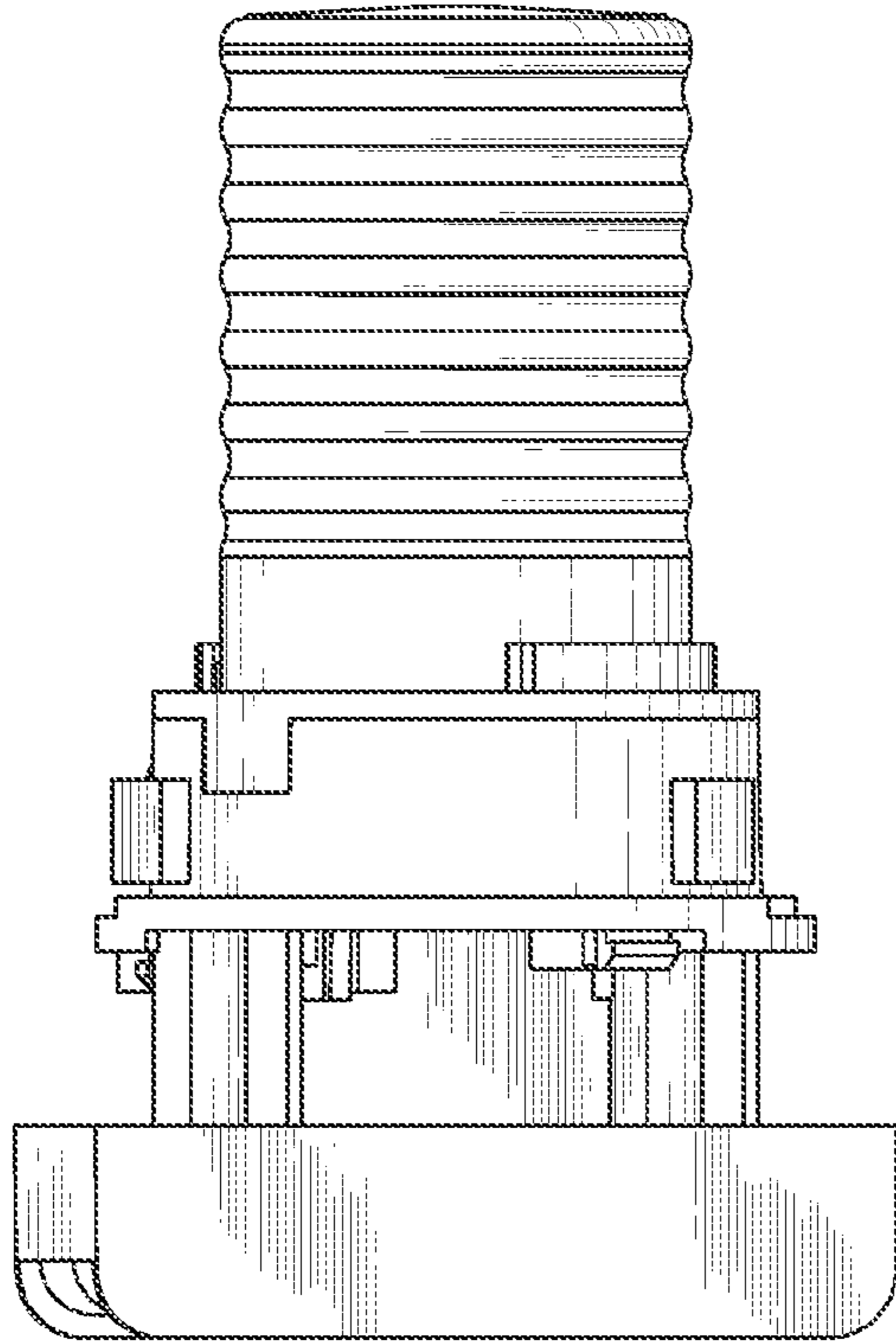


FIG. 5

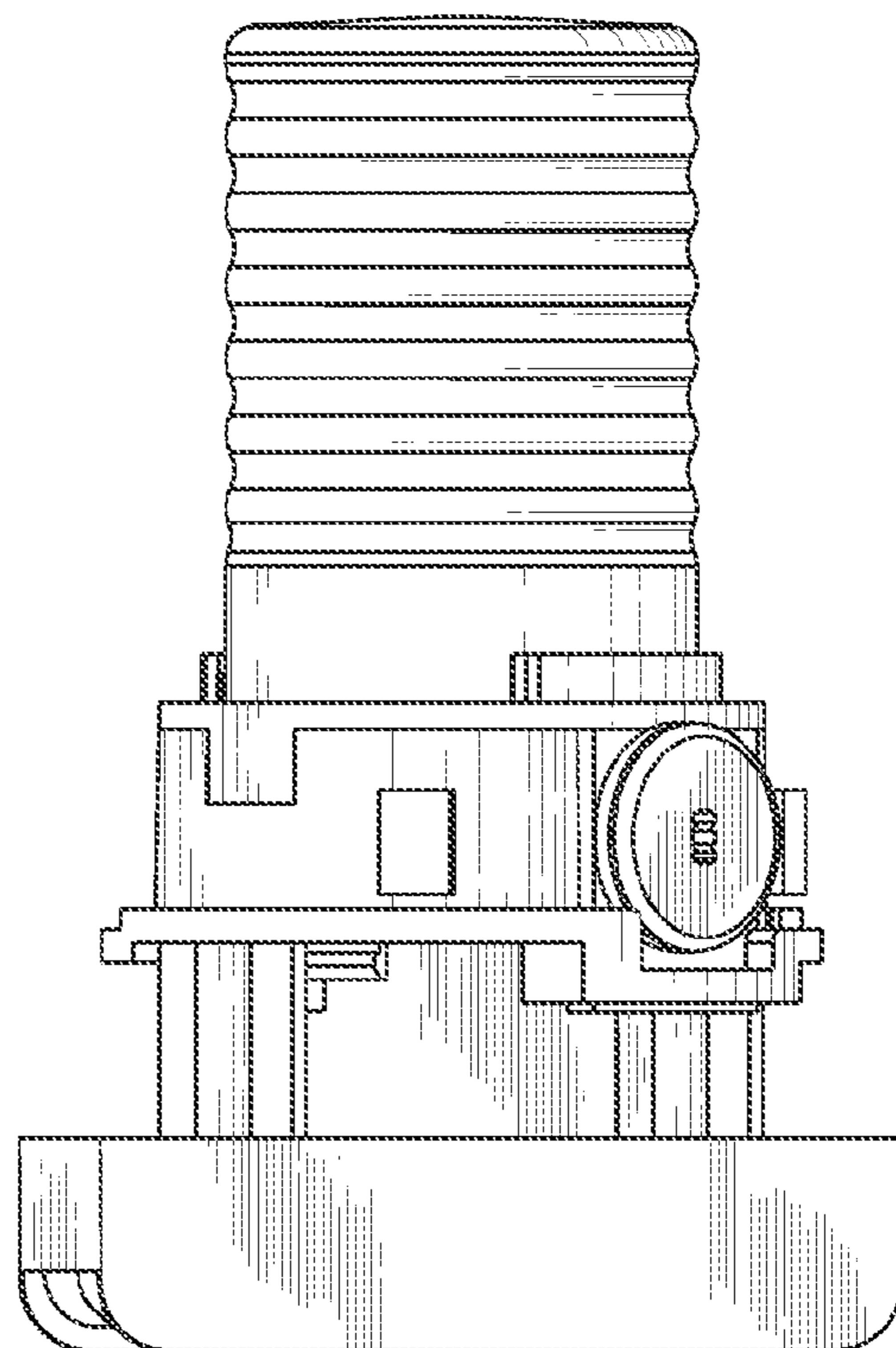


FIG. 6

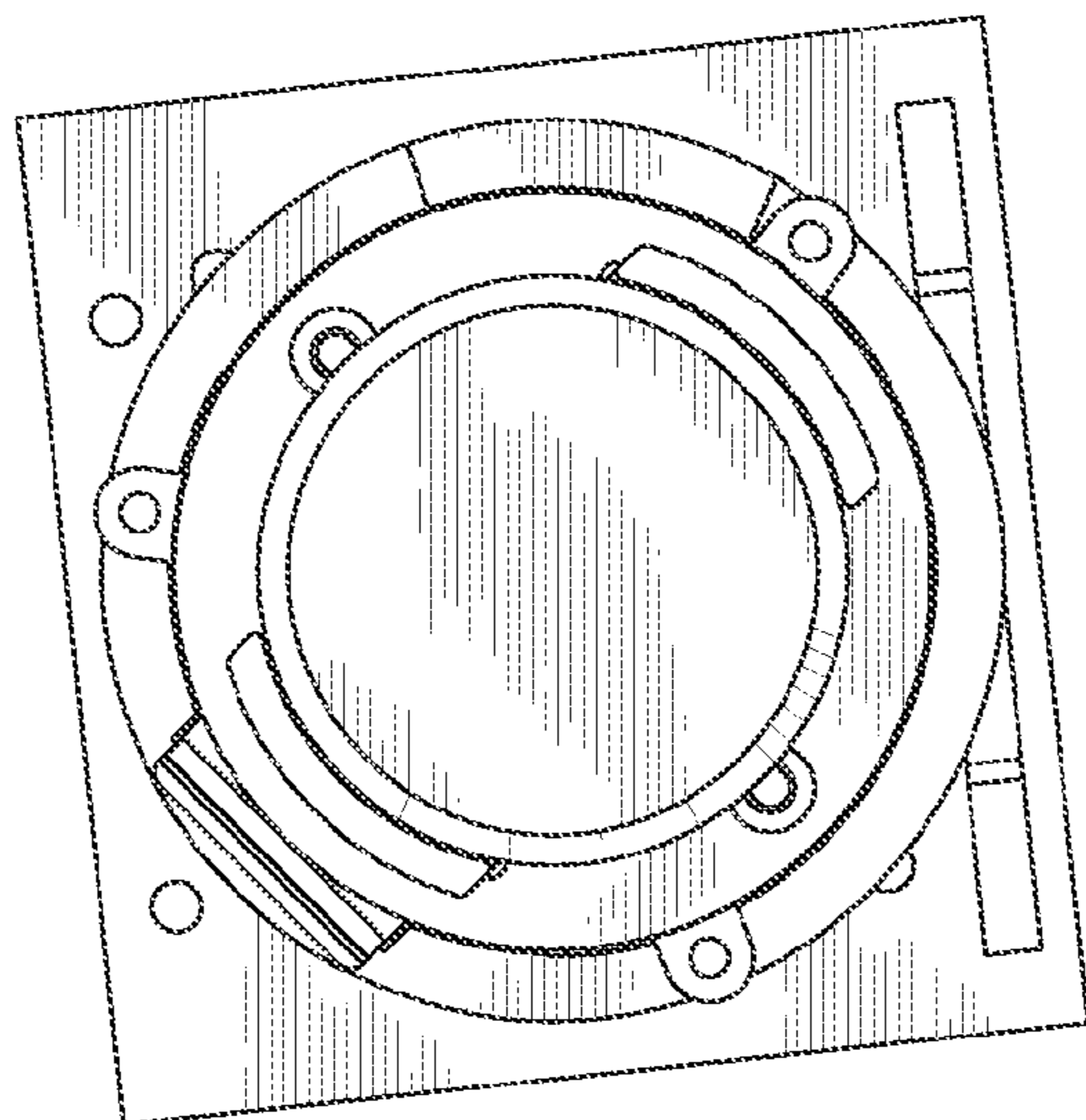


FIG. 7

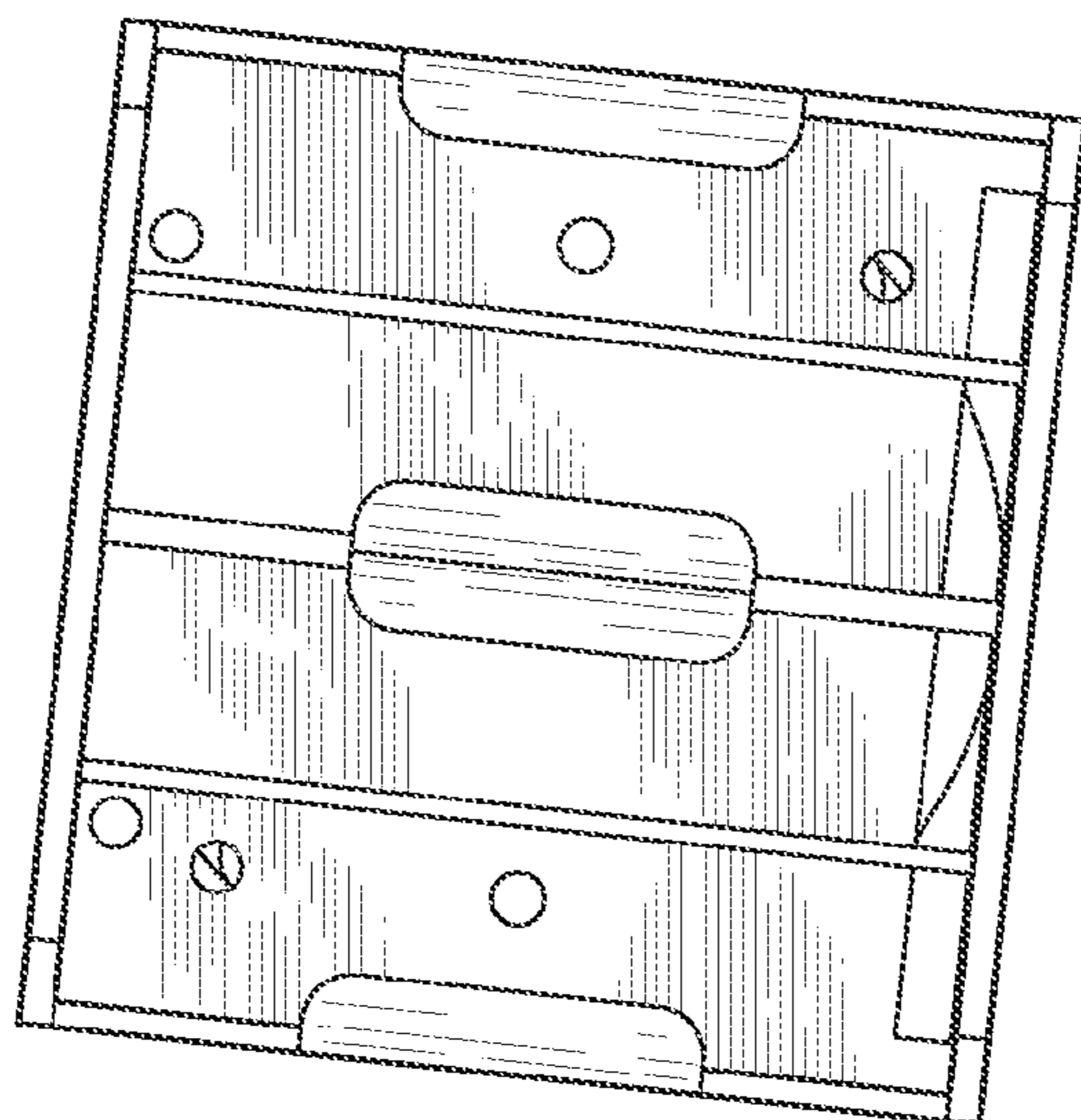


FIG. 8