



US00D584180S

(12) **United States Design Patent**  
**Pokorny**

(10) **Patent No.:** **US D584,180 S**  
(45) **Date of Patent:** **\*\* Jan. 6, 2009**

(54) **LENS AND FRAME FOR WARNING LIGHTS**

D542,948 S \* 5/2007 Columbro ..... D26/28

(75) Inventor: **William J. Pokorny**, Haddam, CT (US)

\* cited by examiner

(73) Assignee: **Whelen Engineering Company, Inc.**,  
Chester, CT (US)

*Primary Examiner*—Robert M Spear  
*Assistant Examiner*—George D Kirschbaum  
(74) *Attorney, Agent, or Firm*—Alix, Yale & Ristas, LLP

(\*\*) Term: **14 Years**

(57) **CLAIM**

(21) Appl. No.: **29/307,275**

The ornamental design for a lens and frame for warning lights, as shown and described.

(22) Filed: **Apr. 10, 2008**

(51) **LOC (9) Cl.** ..... **10-05**

(52) **U.S. Cl.** ..... **D10/111**

(58) **Field of Classification Search** ..... D10/109,  
D10/111, 114; D26/29–31, 60, 119, 120,  
D26/28; 340/815.45, 908.1, 463; 362/311,  
362/373, 35, 183, 200, 196, 191, 459, 460–463,  
362/465, 485

See application file for complete search history.

**DESCRIPTION**

FIG. 1 is a perspective view of a lens and frame for warning lights showing our new design;

FIG. 2 is a top plan view thereof;

FIG. 3 is a right side view, the left side being a mirror image thereof;

FIG. 4 is a bottom plan view thereof;

FIG. 5 is end view, the opposite end being identical thereof;

FIG. 6 is a perspective view of a second embodiment of our design;

FIG. 7 is top plan view thereof;

FIG. 8 is right side view, the left side being a mirror image thereof;

FIG. 9 is a bottom plan view thereof; and,

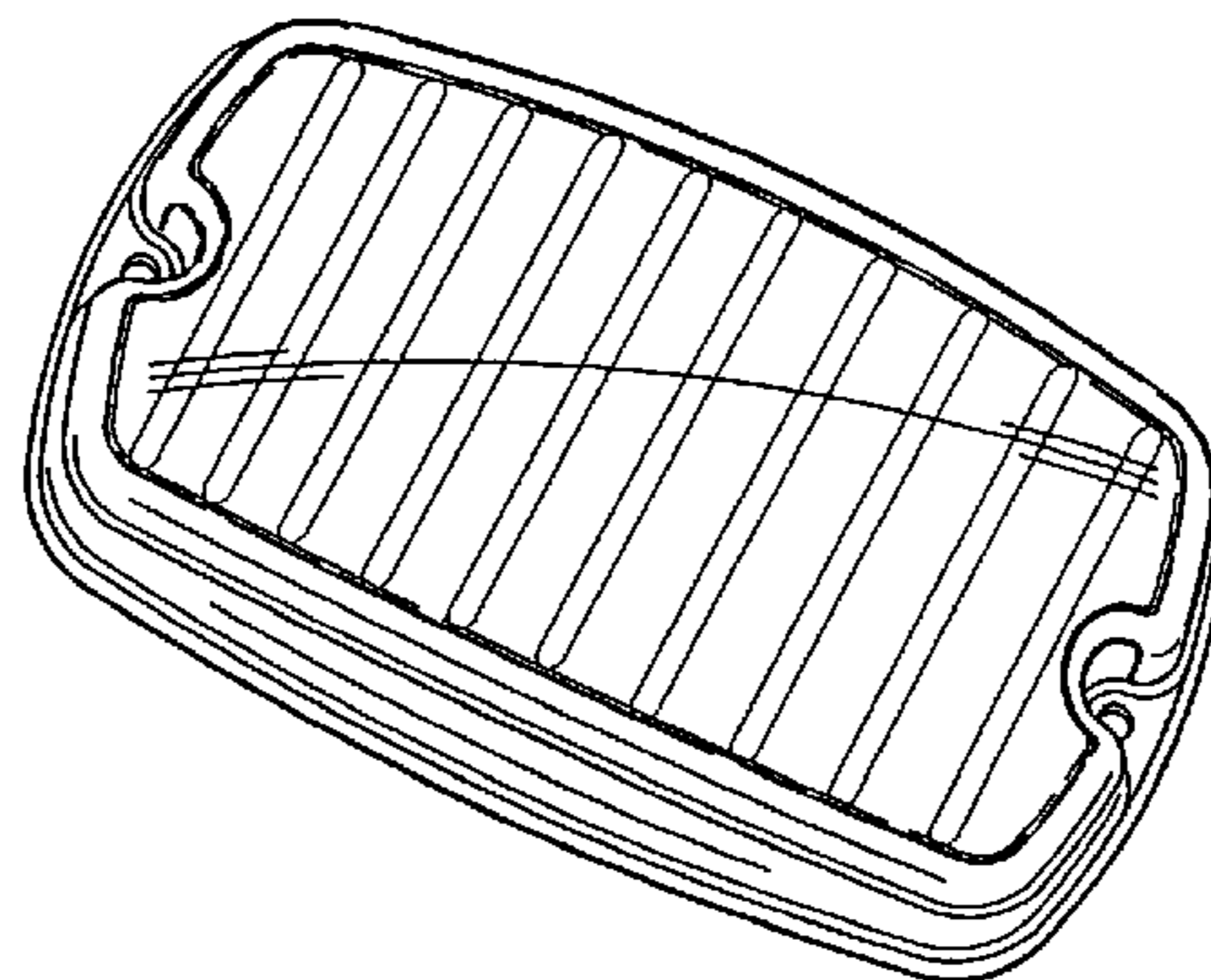
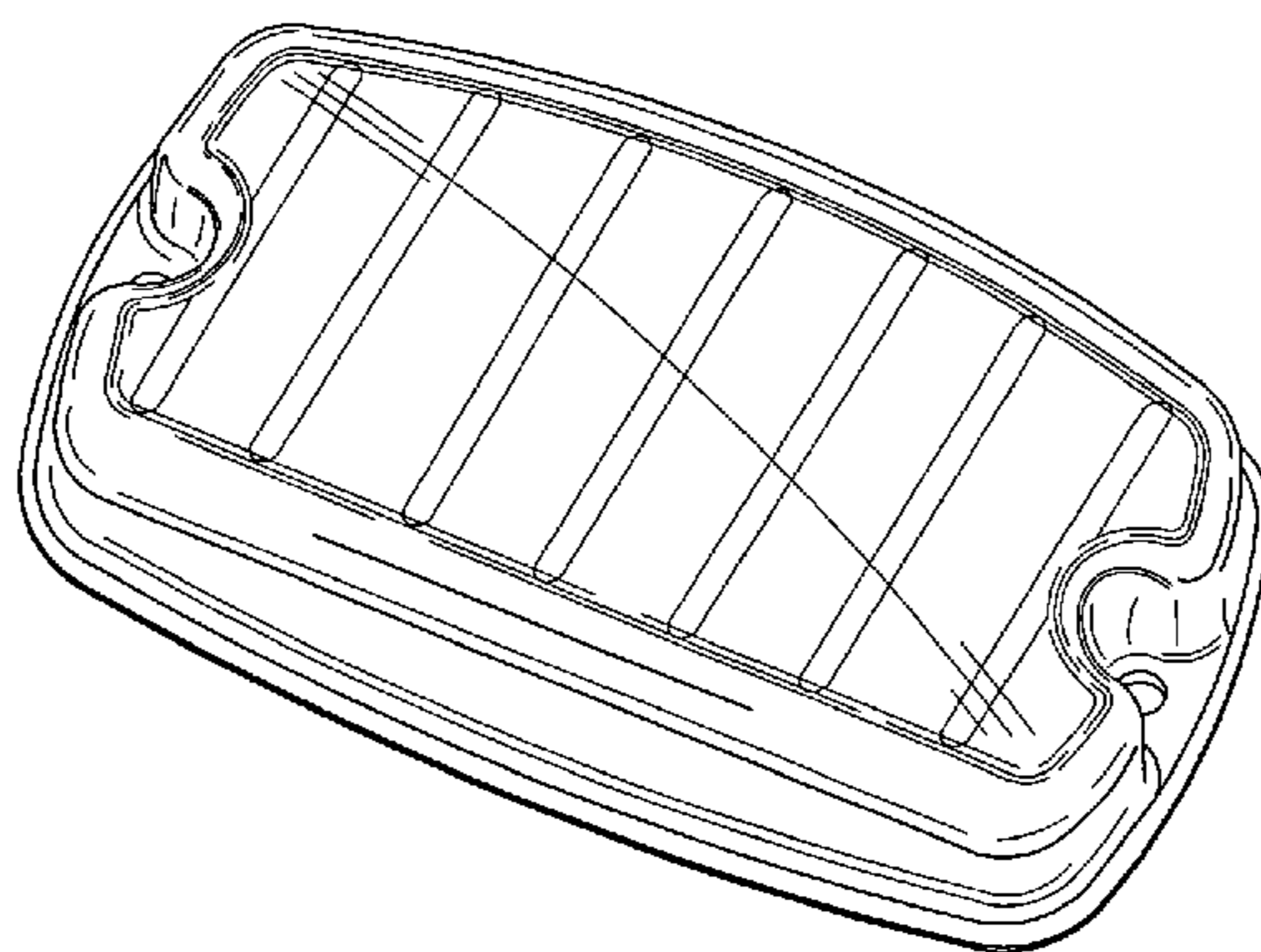
FIG. 10 is an end view, the opposite end being identical thereof.

(56) **References Cited**

U.S. PATENT DOCUMENTS

3,093,320	A	*	6/1963	Knapp	.....	362/227
D205,957	S	*	10/1966	Nagel	.....	D26/28
D215,117	S	*	9/1969	Stahl	.....	D26/28
D221,106	S	*	7/1971	Jixier	.....	D26/28
D246,131	S	*	10/1977	Schifrin	.....	D26/28
D282,687	S	*	2/1986	McMahon	.....	D26/139
D352,914	S	*	11/1994	Sours	.....	D10/114
D375,180	S	*	10/1996	Lyons	.....	D26/28
D402,576	S	*	12/1998	Yang et al.	.....	D10/111
D483,511	S	*	12/2003	Lay et al.	.....	D26/80

**1 Claim, 4 Drawing Sheets**



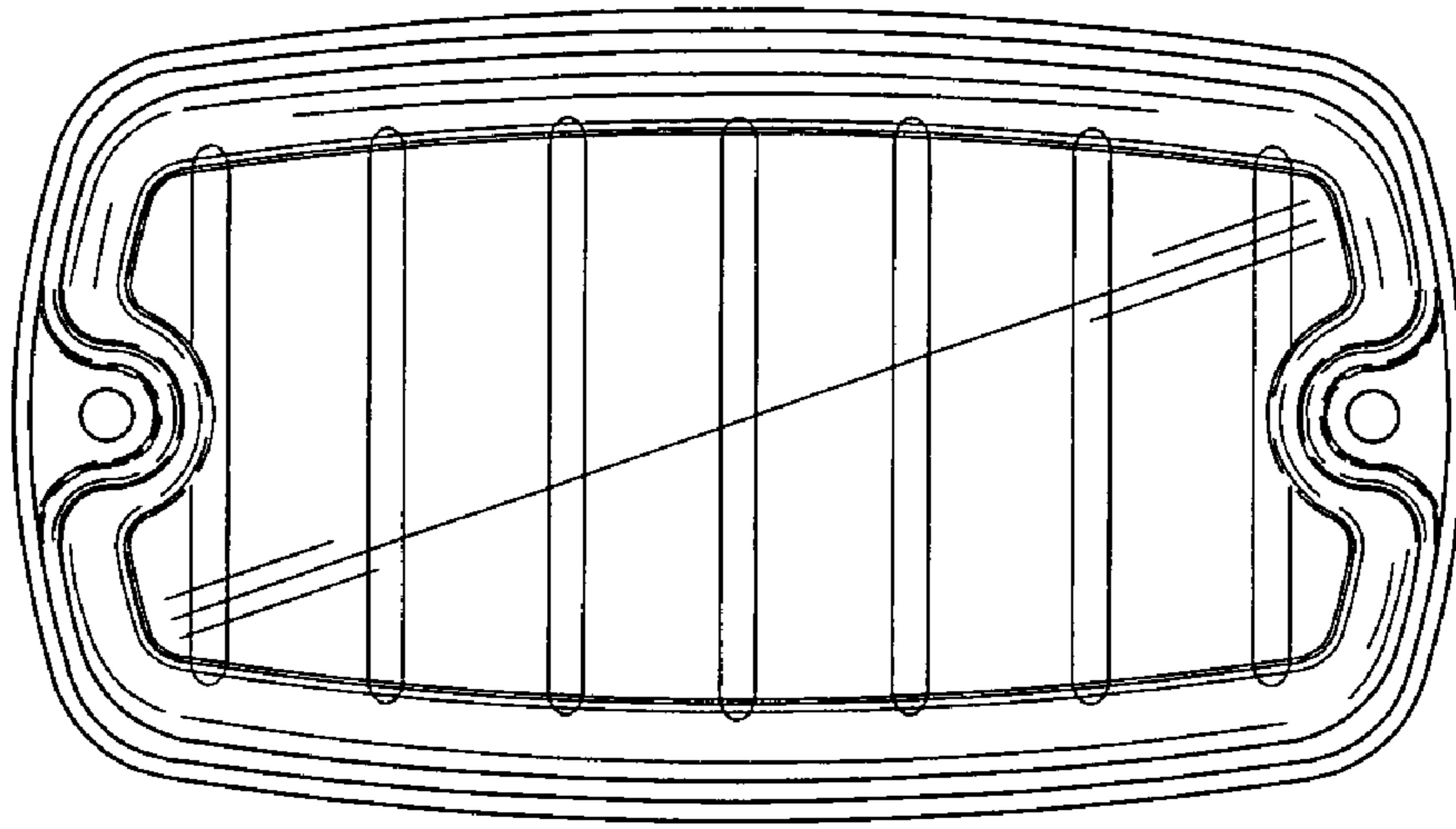


FIG. 2

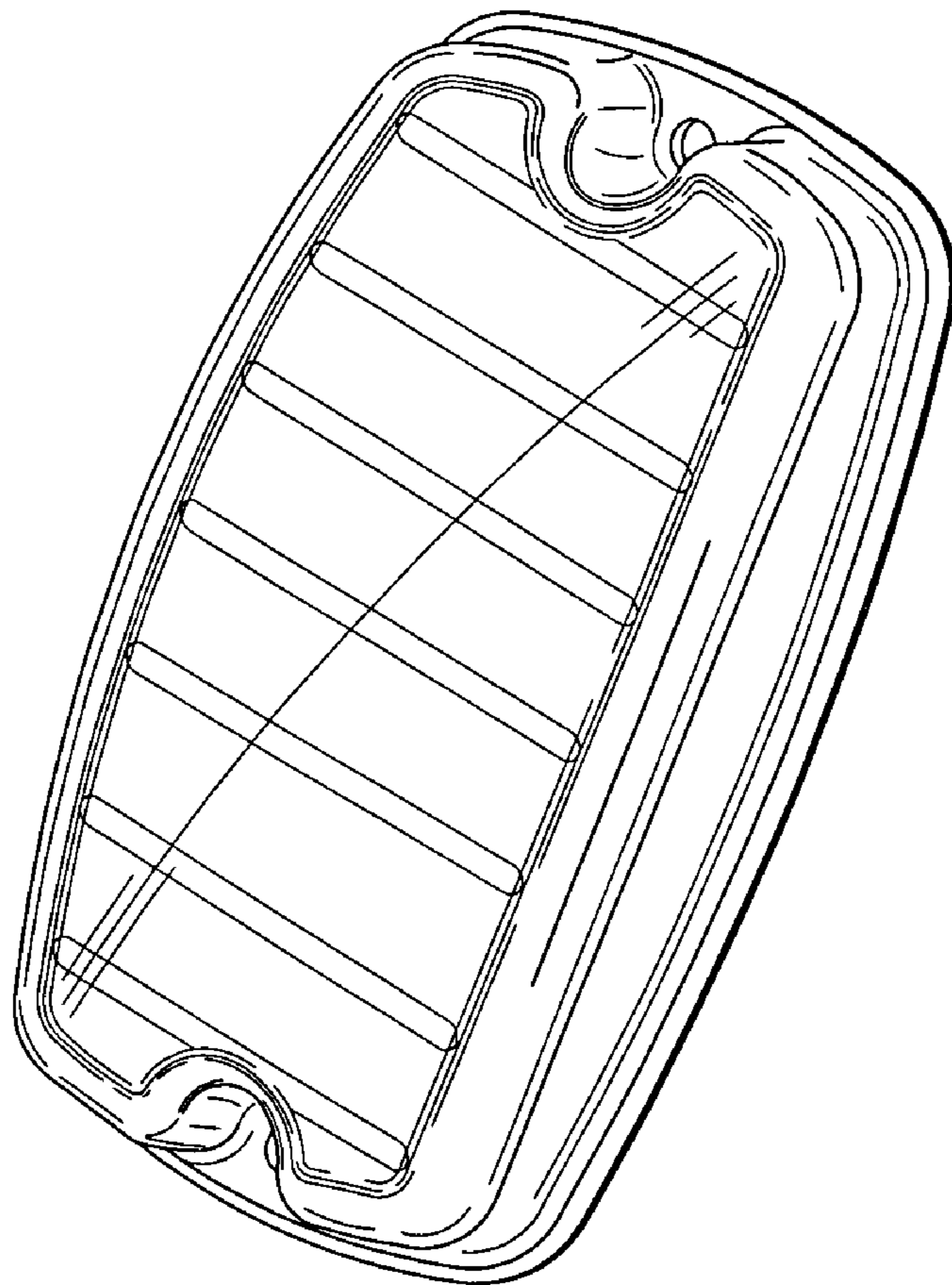
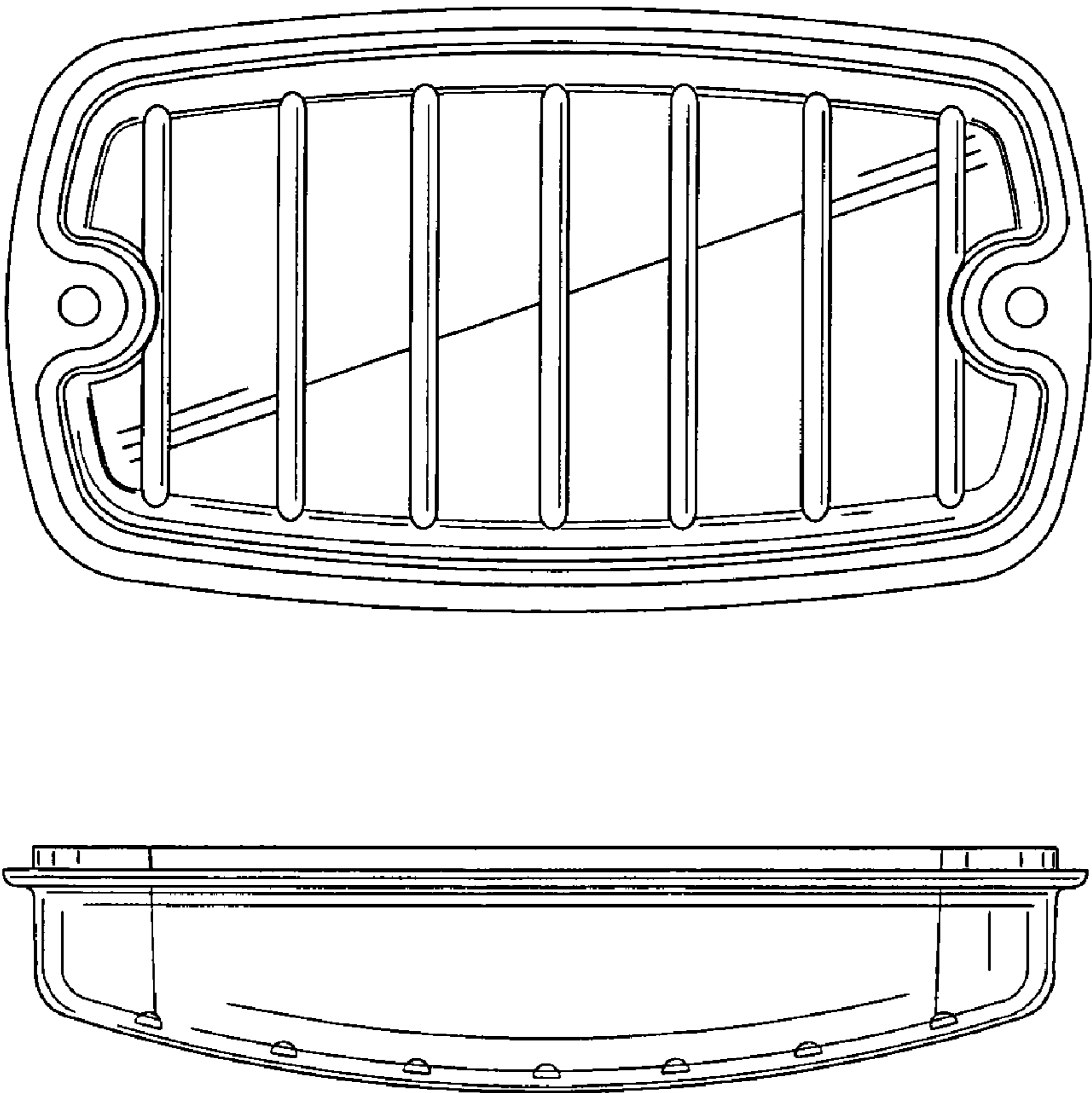
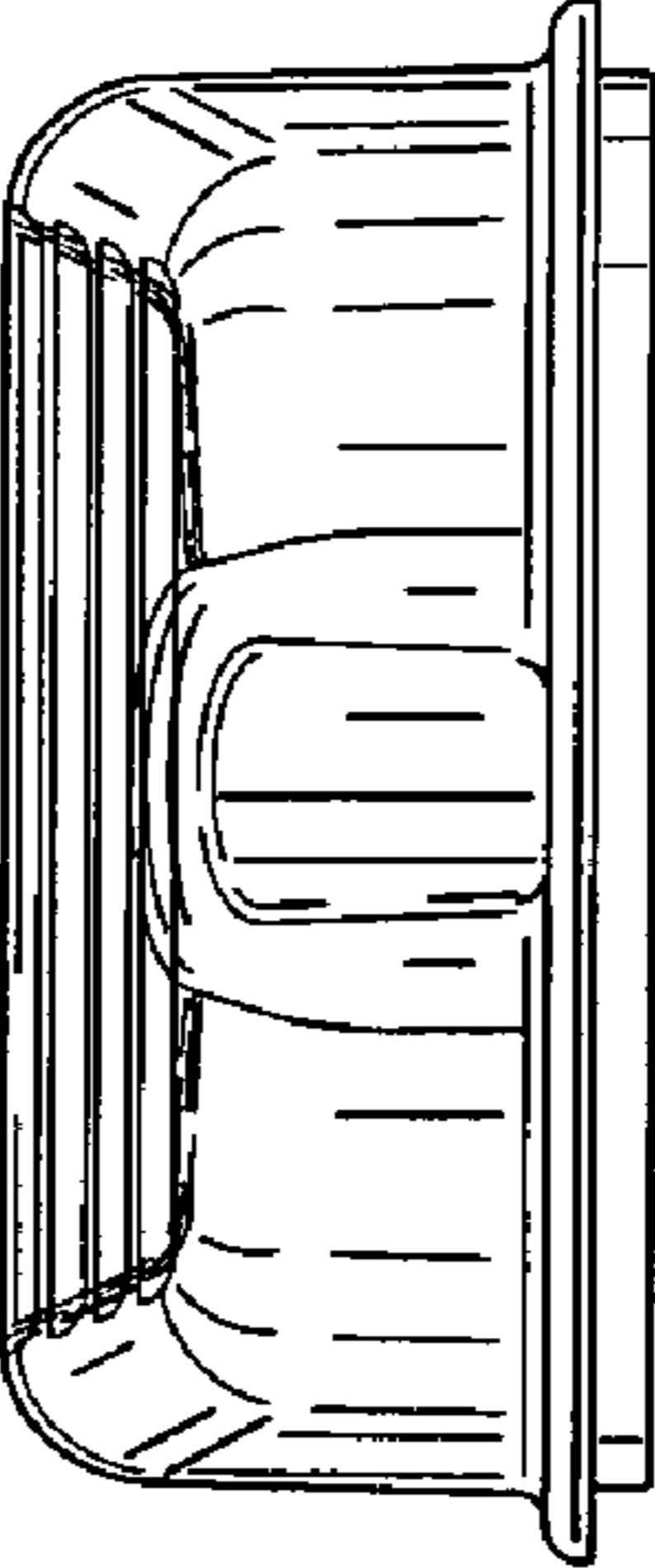


FIG. 1

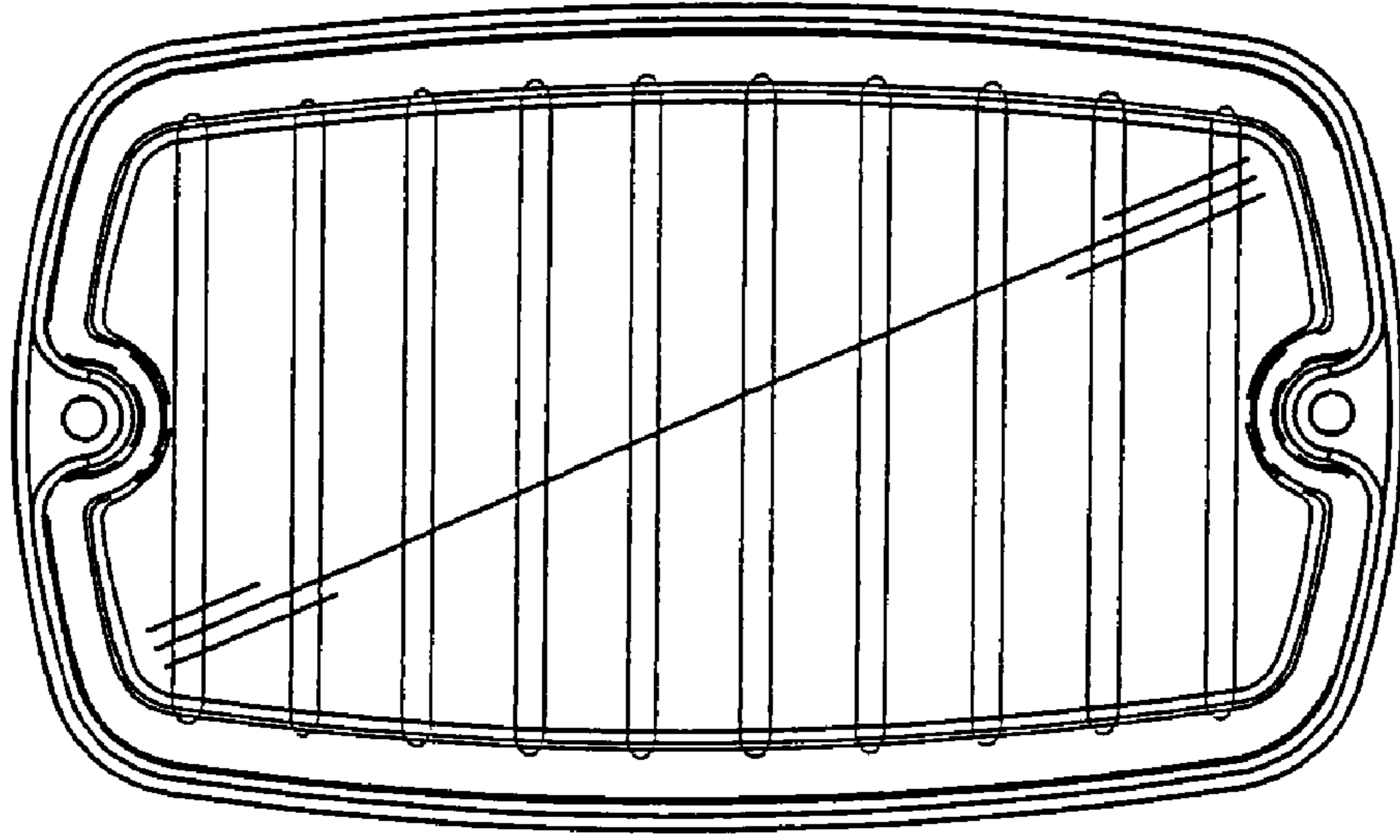


**FIG. 3**

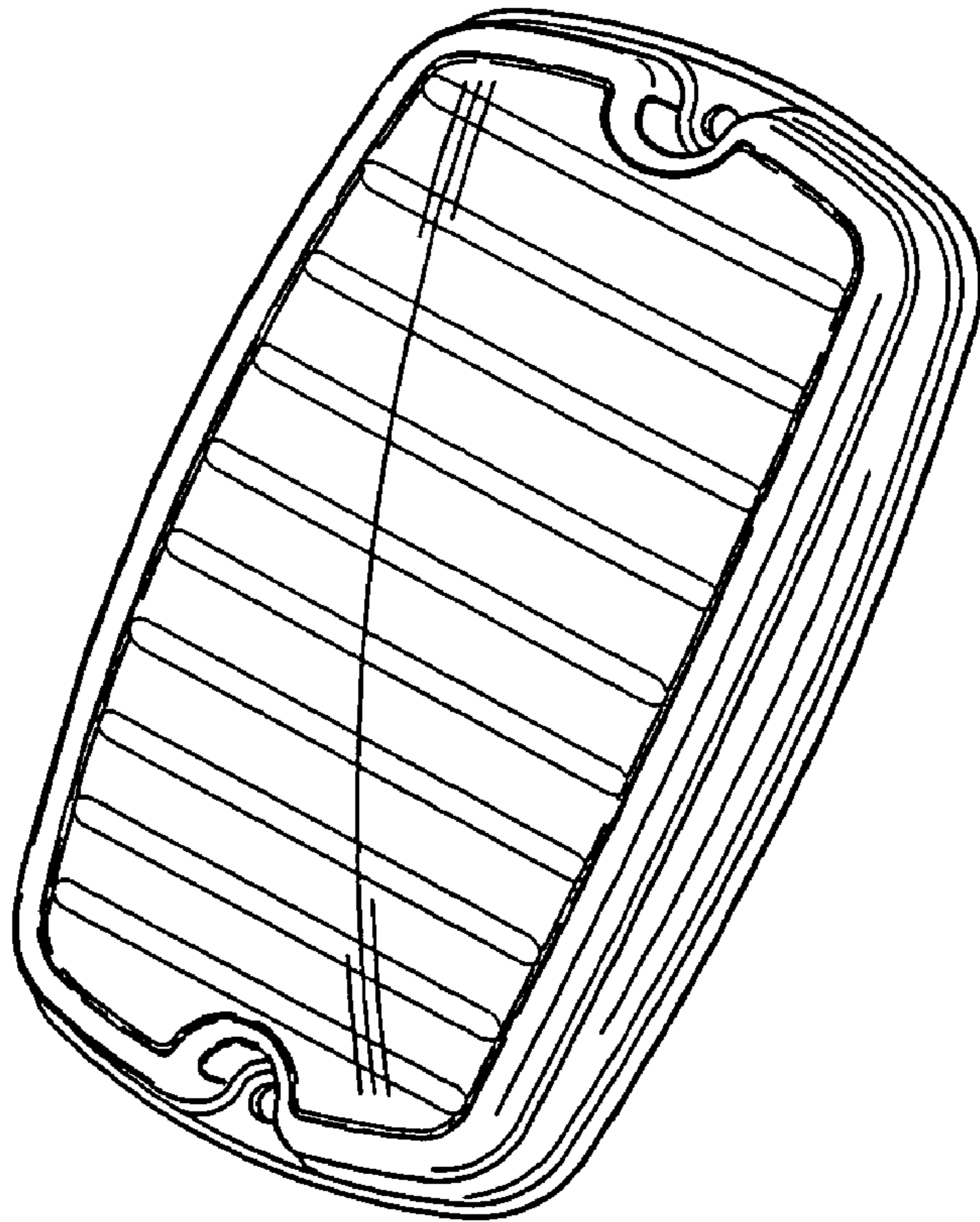
**FIG. 4**



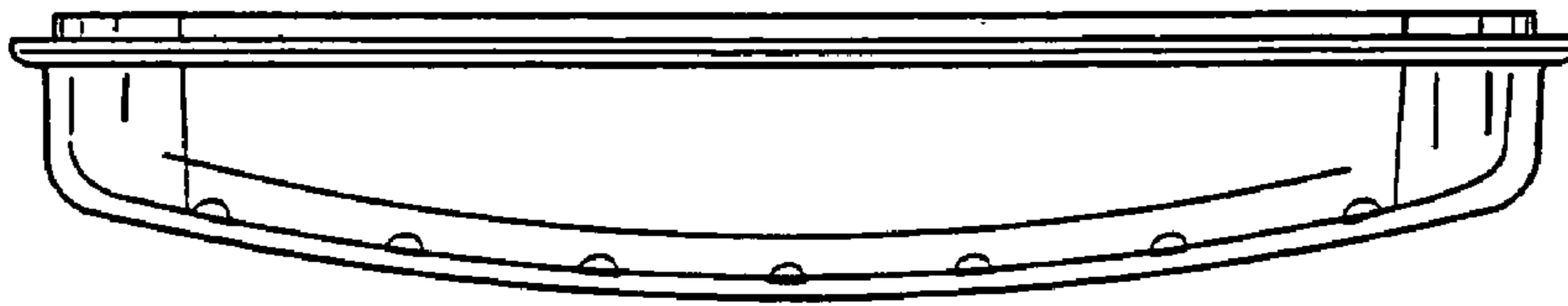
**FIG. 5**



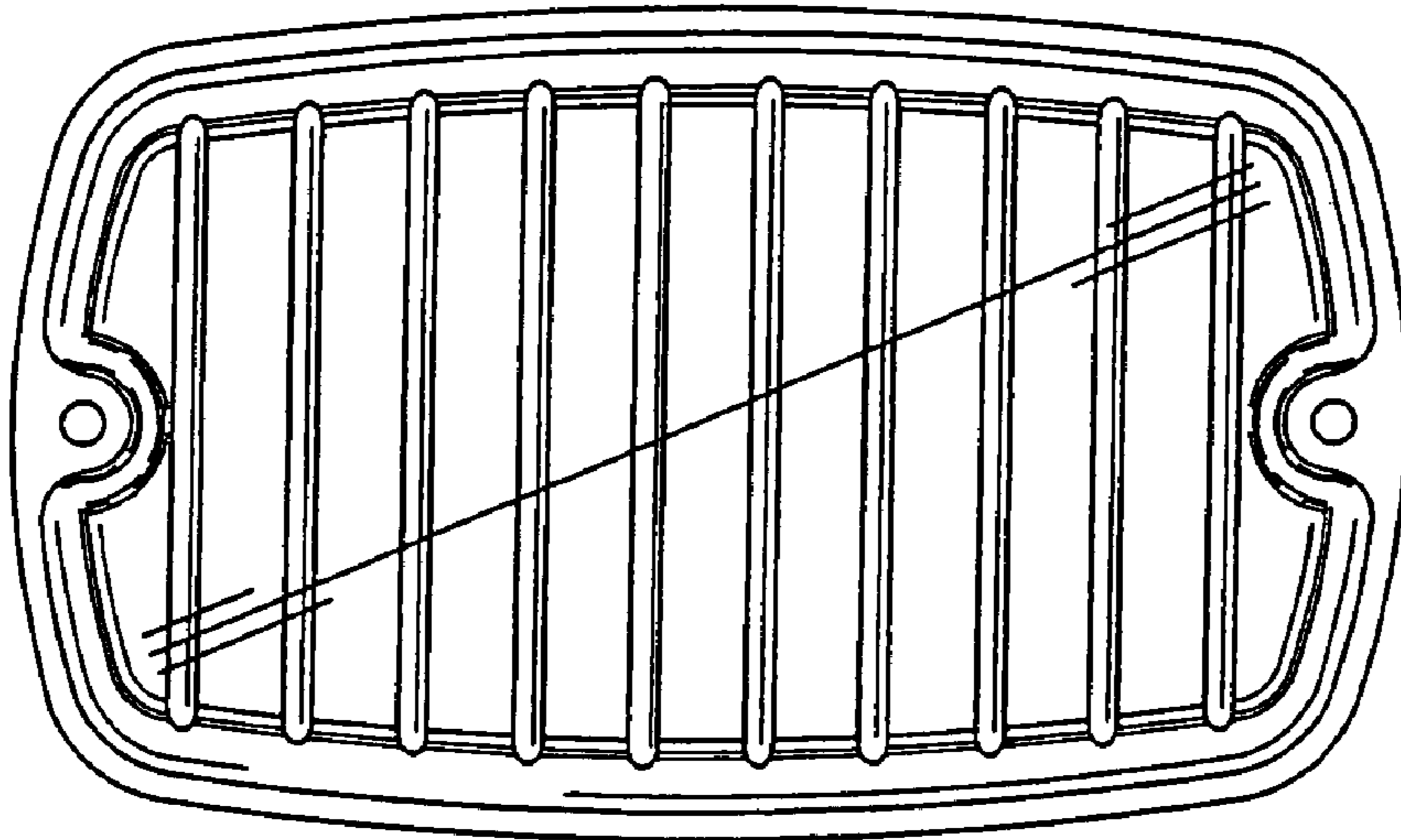
**FIG. 7**



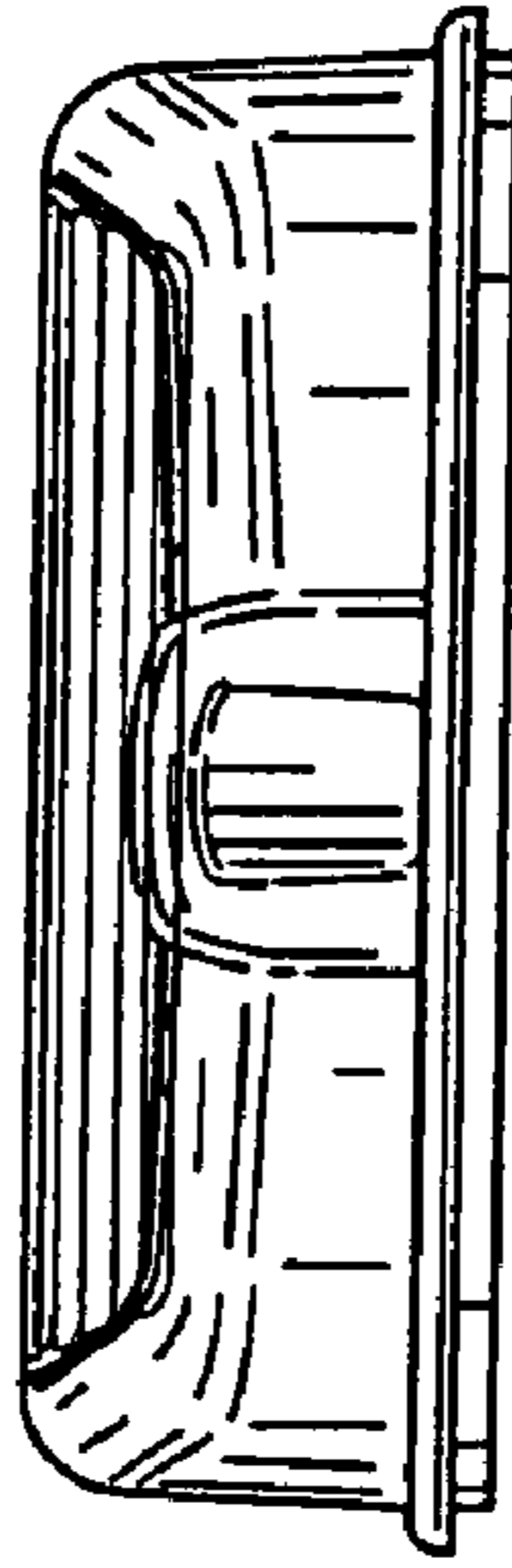
**FIG. 6**



**FIG. 8**



**FIG. 9**



**FIG. 10**