



US00D584177S

(12) **United States Design Patent**
Ohtani et al.

(10) **Patent No.:** **US D584,177 S**

(45) **Date of Patent:** **** Jan. 6, 2009**

(54) **MICROMETER**

(75) Inventors: **Shigeru Ohtani**, Kawasaki (JP); **Shuji Hayashida**, Kawasaki (JP); **Yuji Fujikawa**, Kure (JP); **Masahiko Tachikake**, Kure (JP)

(73) Assignee: **Mitutoyo Corporation**, Kawasaki (JP)

(**) Term: **14 Years**

(21) Appl. No.: **29/300,594**

(22) Filed: **Apr. 15, 2008**

(30) **Foreign Application Priority Data**

Dec. 4, 2007 (JP) 2007-033260

(51) **LOC (9) Cl.** **10-04**

(52) **U.S. Cl.** **D10/73**

(58) **Field of Classification Search** D10/73;
33/783-832, DIG. 12

See application file for complete search history.

(56) **References Cited**

U.S. PATENT DOCUMENTS

764,106 A * 7/1904 Turner 83/113

886,817 A * 5/1908 Kelley 33/813

1,760,372 A *	5/1930	Pehrsson	33/813
3,046,666 A *	7/1962	Mesich	33/813
3,151,482 A *	10/1964	Forrester et al.	33/501.04
5,317,809 A *	6/1994	Kipnes	33/829
5,383,286 A *	1/1995	Kipnes	33/829
5,691,646 A *	11/1997	Sasaki	33/784
D391,180 S *	2/1998	Thomas	D10/73

* cited by examiner

Primary Examiner—Antoine D Davis

(74) *Attorney, Agent, or Firm*—Oliff & Berridge, PLC

(57) **CLAIM**

The ornamental design for a micrometer, as shown and described.

DESCRIPTION

FIG. 1 is a front view of a micrometer;

FIG. 2 is a rear view thereof;

FIG. 3 is a top view thereof; and,

FIG. 4 is a bottom view thereof.

The broken lines depict environmental subject matter only and form no part of the claimed design.

1 Claim, 4 Drawing Sheets

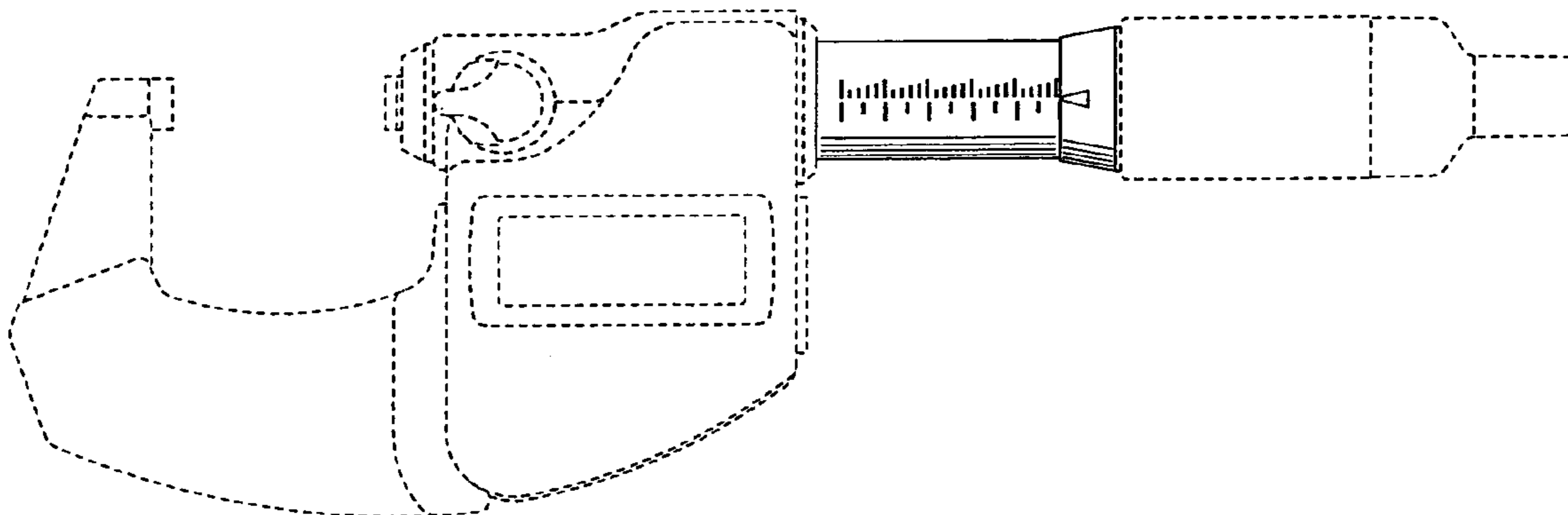


FIG. 1

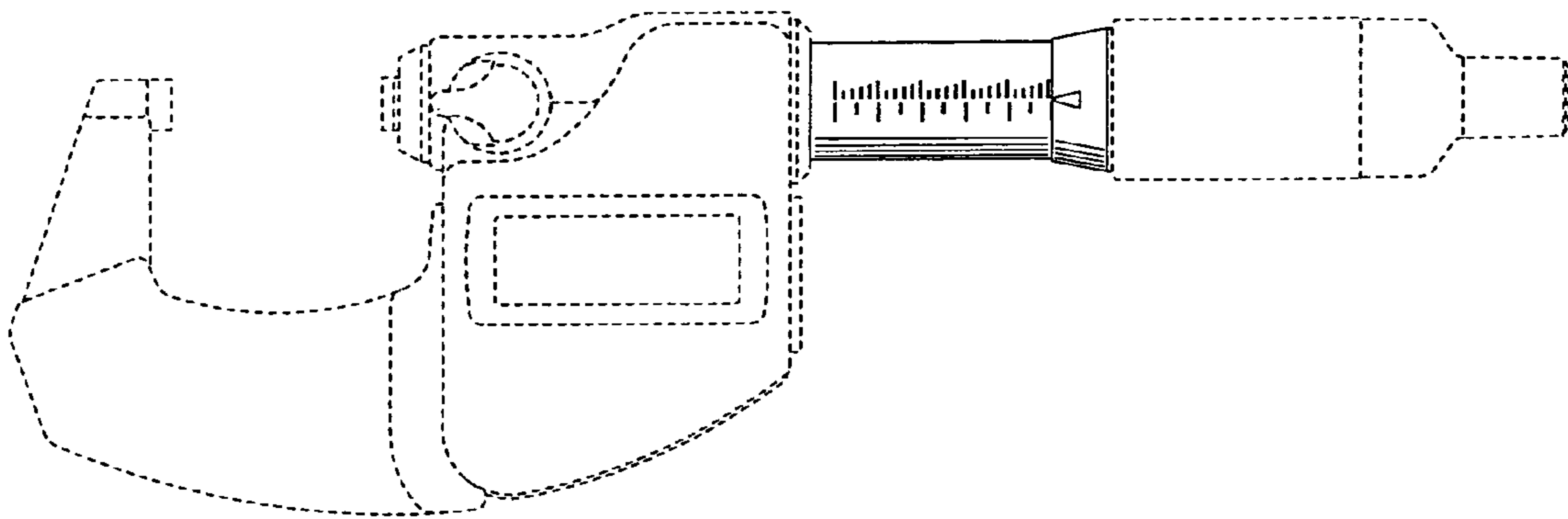


FIG. 2

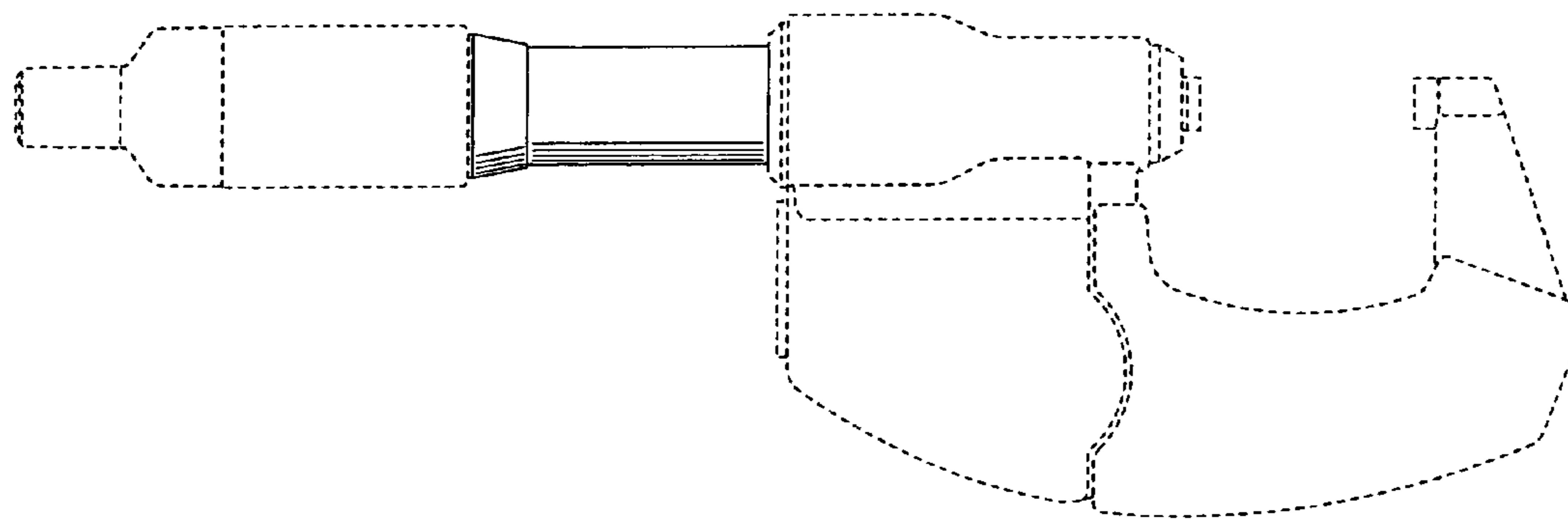


FIG. 3

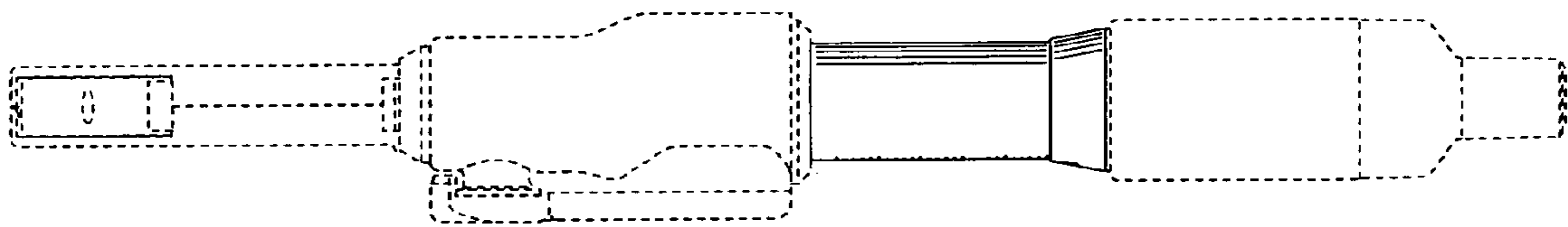


FIG. 4

