



US00D584175S

(12) **United States Design Patent**
Levinson

(10) **Patent No.:** **US D584,175 S**
(45) **Date of Patent:** **** Jan. 6, 2009**

(54) **CERAMIC MARKING TOOL**

FOREIGN PATENT DOCUMENTS

(75) Inventor: **Amy Levinson**, Upper Galilee (IL)

DE 19510557 8/1995

* cited by examiner

(73) Assignee: **Kapro Industries Ltd.**, Kadarim (IL)

Primary Examiner—Antoine D Davis

(**) Term: **14 Years**

(74) *Attorney, Agent, or Firm*—Harold L. Novick; The Nath Law Group

(21) Appl. No.: **29/290,854**

(57) **CLAIM**

(22) Filed: **Jan. 23, 2008**

The ornamental design for a ceramic marking tool, as shown and described.

(51) **LOC (9) Cl.** **10-04**

(52) **U.S. Cl.** **D10/65**

(58) **Field of Classification Search** D10/65;
33/1 K, 41.1, 41.3, 41.5, 41.6, 42, 43, 526,
33/527

See application file for complete search history.

DESCRIPTION

FIG. 1 is a front perspective view of a ceramic marking tool according to the present invention;

FIG. 2 is an exploded view of the ceramic marking tool;

FIG. 3 is a front elevation view of the ceramic marking tool;

FIG. 4 is a rear elevation view of the ceramic marking tool;

FIG. 5 is a right elevation view of the ceramic marking tool;

FIG. 6 is a left elevation view of the ceramic marking tool;

FIG. 7 is a top plan view of the ceramic marking tool; and,

FIG. 8 is a bottom plan view of the ceramic marking tool.

The dashed lines showing the end of a ruler of the ceramic marking tool are for illustrative purposes only and form no part of the claimed design.

(56) **References Cited**

U.S. PATENT DOCUMENTS

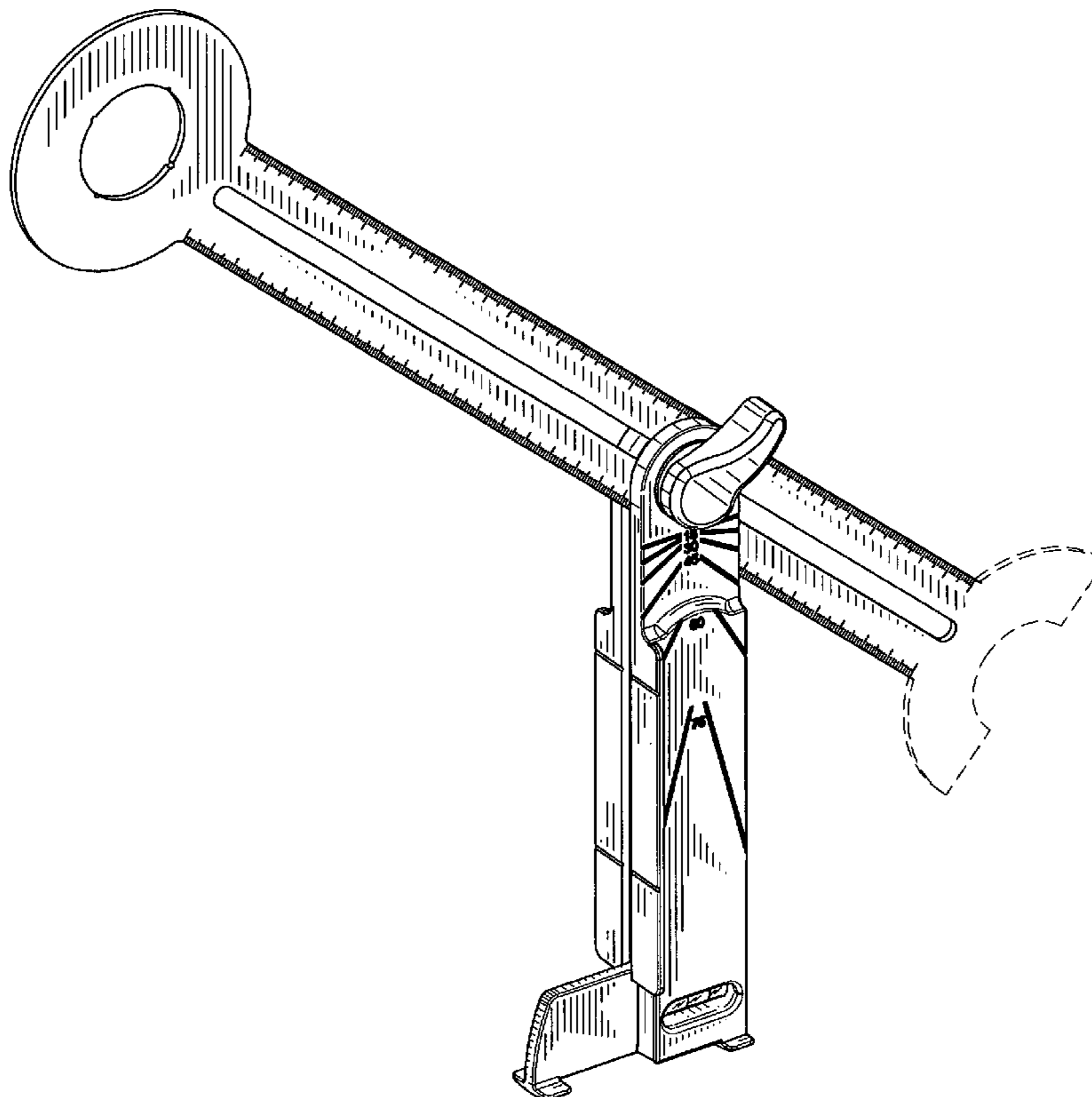
D136,535 S * 10/1943 Bley D10/65

4,965,935 A * 10/1990 Bourque 33/26

6,044,570 A * 4/2000 Nochowitz 33/526

7,194,810 B2 * 3/2007 Shai 33/42

1 Claim, 6 Drawing Sheets



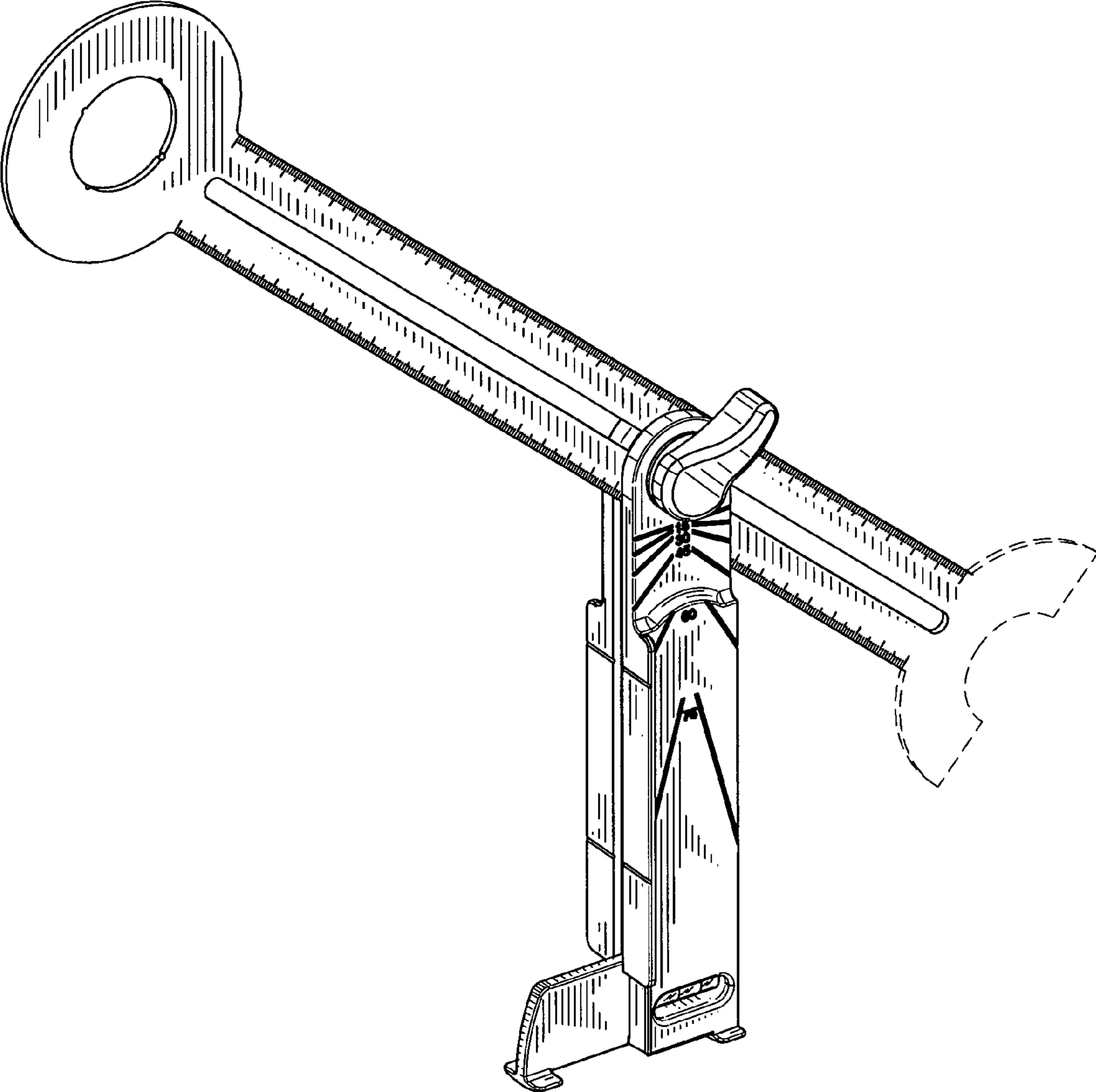


FIG.1

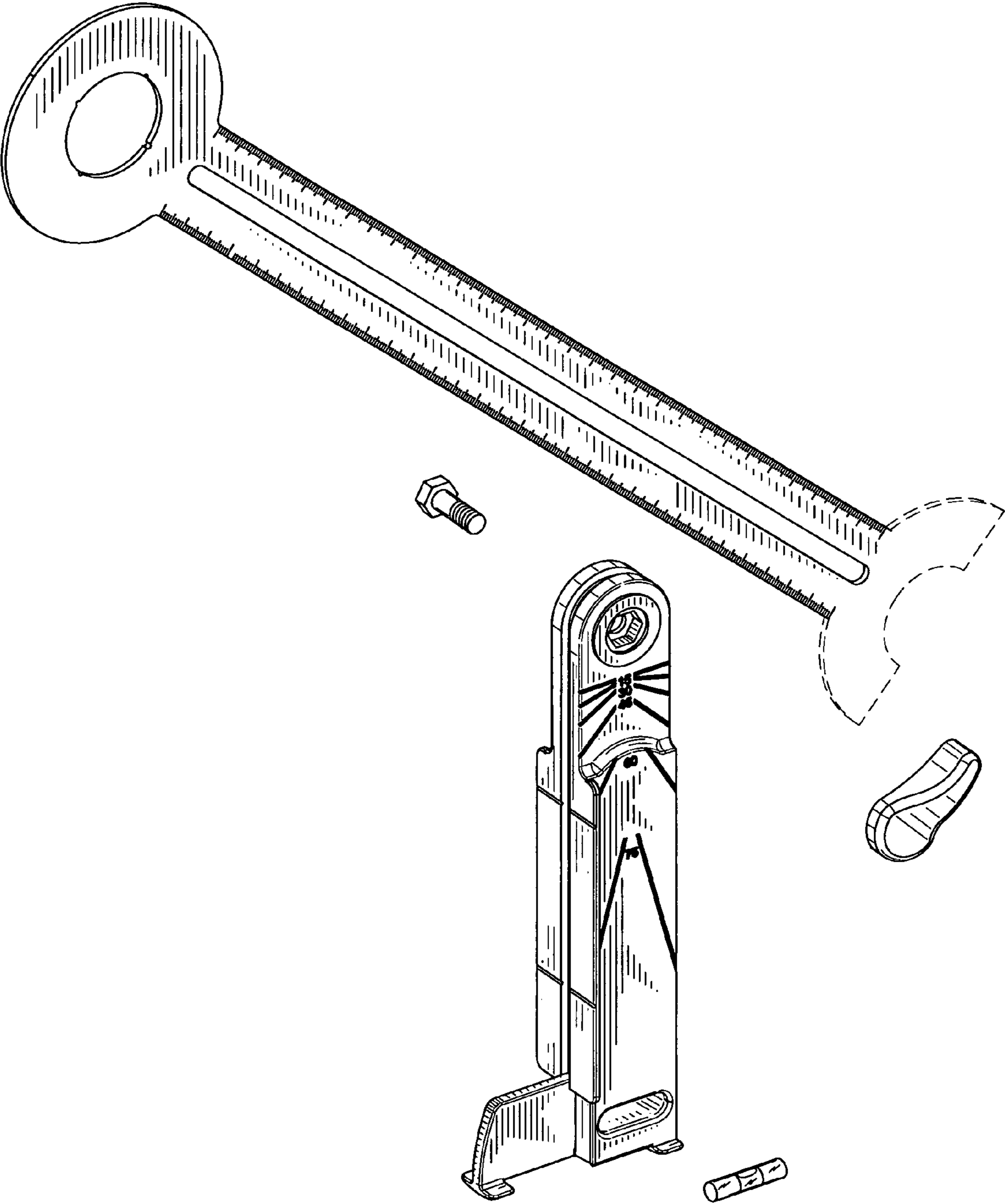


FIG.2

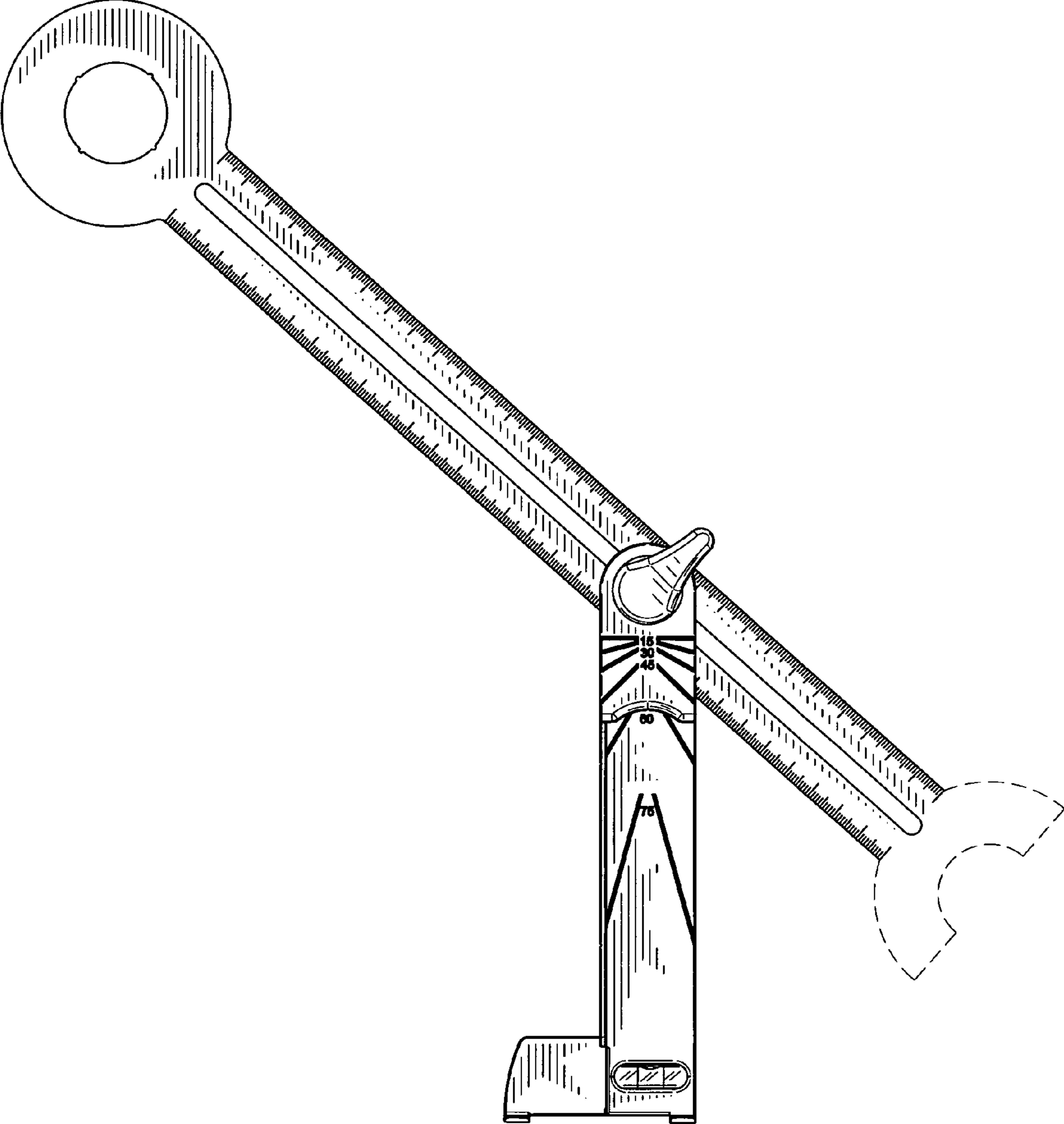


FIG. 3

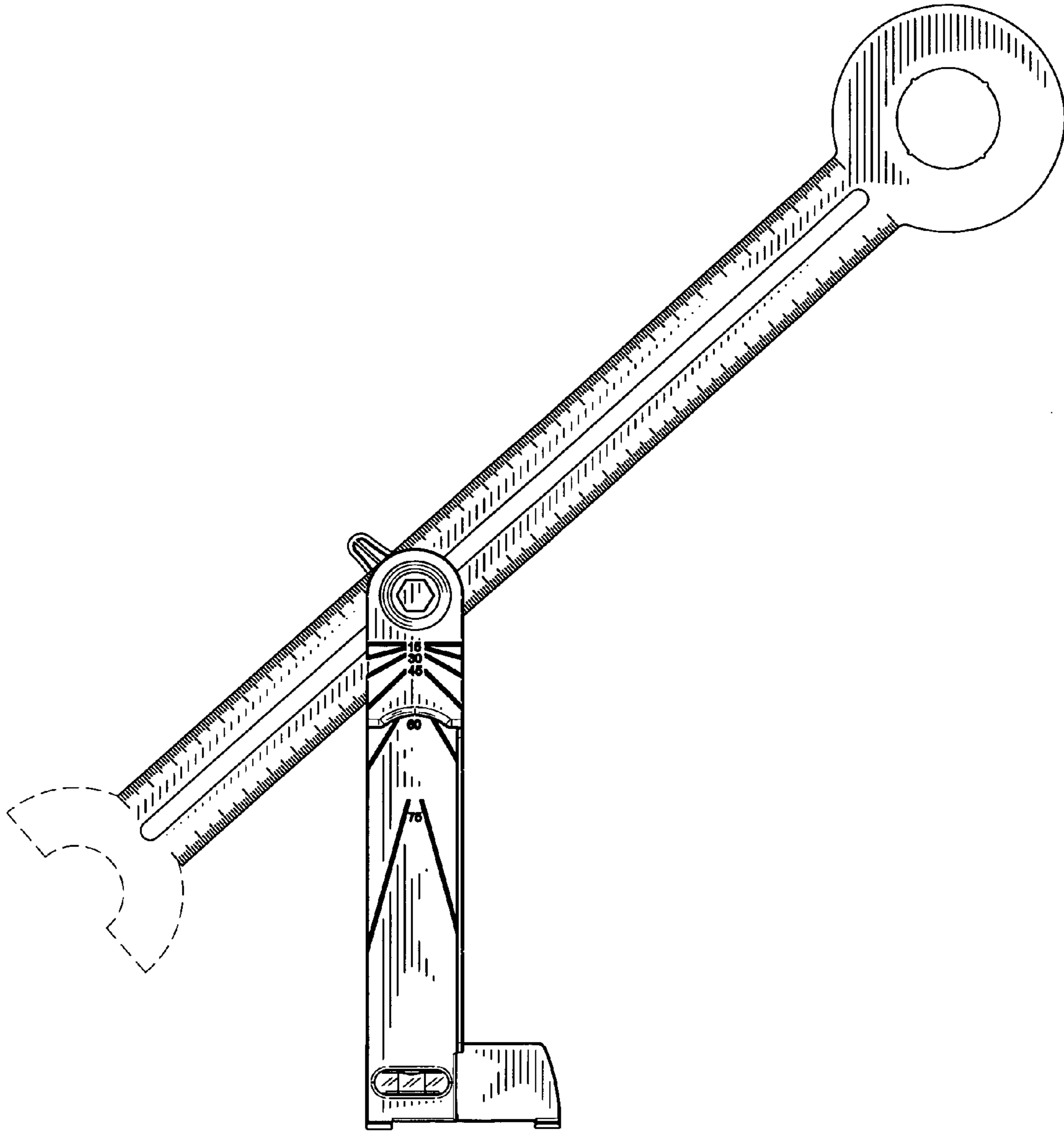


FIG.4

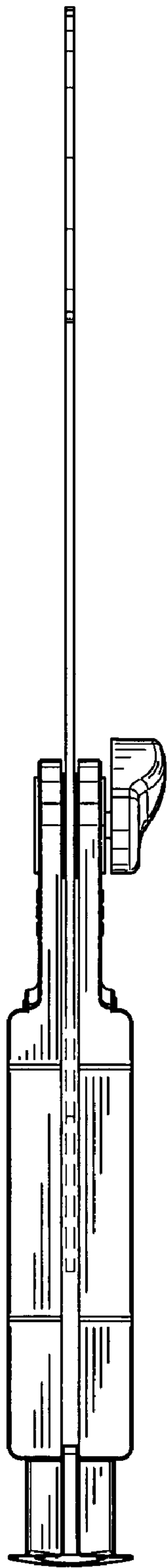


FIG. 5

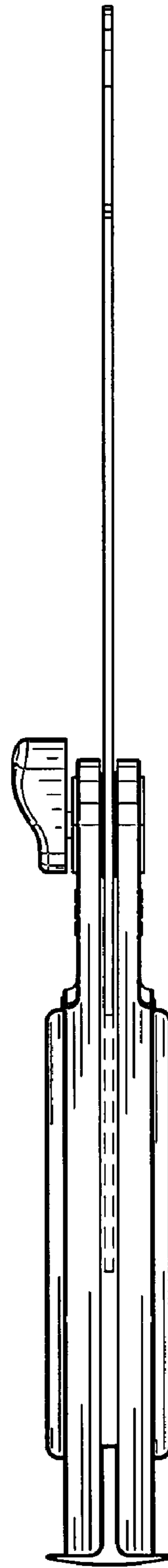


FIG. 6

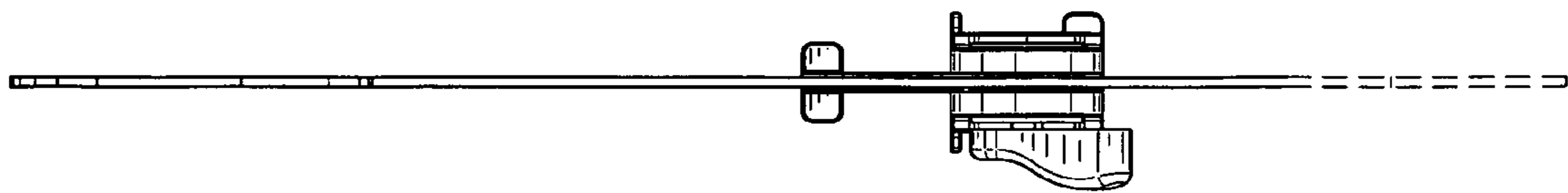


FIG. 7

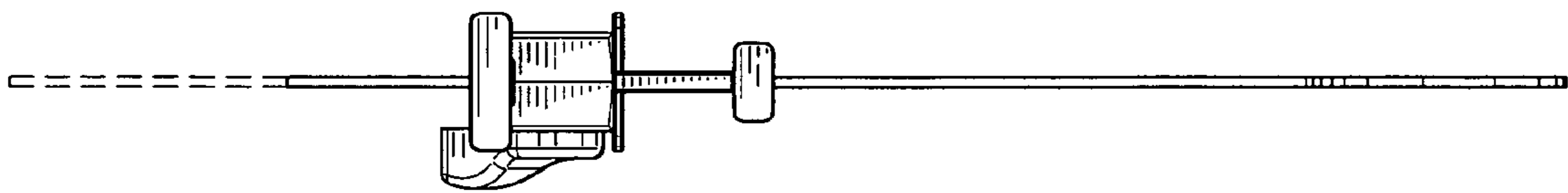


FIG. 8