



US00D584165S

(12) **United States Design Patent**  
**Kerr et al.**

(10) **Patent No.:** **US D584,165 S**

(45) **Date of Patent:** **\*\* Jan. 6, 2009**

(54) **SIDE-GUSSETED BAG**

D489,603 S \* 5/2004 Berman ..... D9/708  
D532,702 S \* 11/2006 Berman ..... D9/708

(75) Inventors: **George Scott Kerr**, Mason, OH (US);  
**Lawrence Andrew Schumacher**,  
Trenton, OH (US); **Barry Stanley**  
**Shantz**, Cincinnati, OH (US)

\* cited by examiner

*Primary Examiner*—Caron Veynar  
*Assistant Examiner*—Abraham Bahta  
(74) *Attorney, Agent, or Firm*—Kristin Kohler; SarahAnn  
Dressel; Roddy M. Bullock

(73) Assignee: **The Iams Company**, Dayton, OH (US)

(\*\*) Term: **14 Years**

(57) **CLAIM**

(21) Appl. No.: **29/289,821**

The ornamental design for a side-gusseted bag, as shown and described.

(22) Filed: **Aug. 2, 2007**

**DESCRIPTION**

(51) **LOC (9) Cl.** ..... **09-05**

(52) **U.S. Cl.** ..... **D9/705**

(58) **Field of Classification Search** ..... D9/702–703,  
D9/705, 442, 707, 709–710; 229/104, 193,  
229/201; 53/134.1, 455–456, 468–469, 459,  
53/133.4; 428/34.1; 220/92, 105, 107, 206,  
220/215; 383/36, 61.1, 97, 104, 120, 105,  
383/107, 114, 61.2, 95, 119; 24/30.5 R,  
24/30.5 L, 585.1, 585.2

See application file for complete search history.

FIG. 1 is a front perspective view of a side-gusseted bag embodying our new design;  
FIG. 2 is a front plan view thereof;  
FIG. 3 is a back plan view thereof;  
FIG. 4 is a left side view thereof;  
FIG. 5 is a right side view thereof;  
FIG. 6 is a top plan view thereof;  
FIG. 7 is a bottom plan view thereof;  
FIG. 8 is a front perspective view of an alternative embodiment of our new design;  
FIG. 9 is a front plan view thereof;  
FIG. 10 is a back plan view thereof;  
FIG. 11 is a left side view thereof;  
FIG. 12 is a right side view thereof;  
FIG. 13 is a top plan view thereof; and,  
FIG. 14 is a bottom plan view thereof.

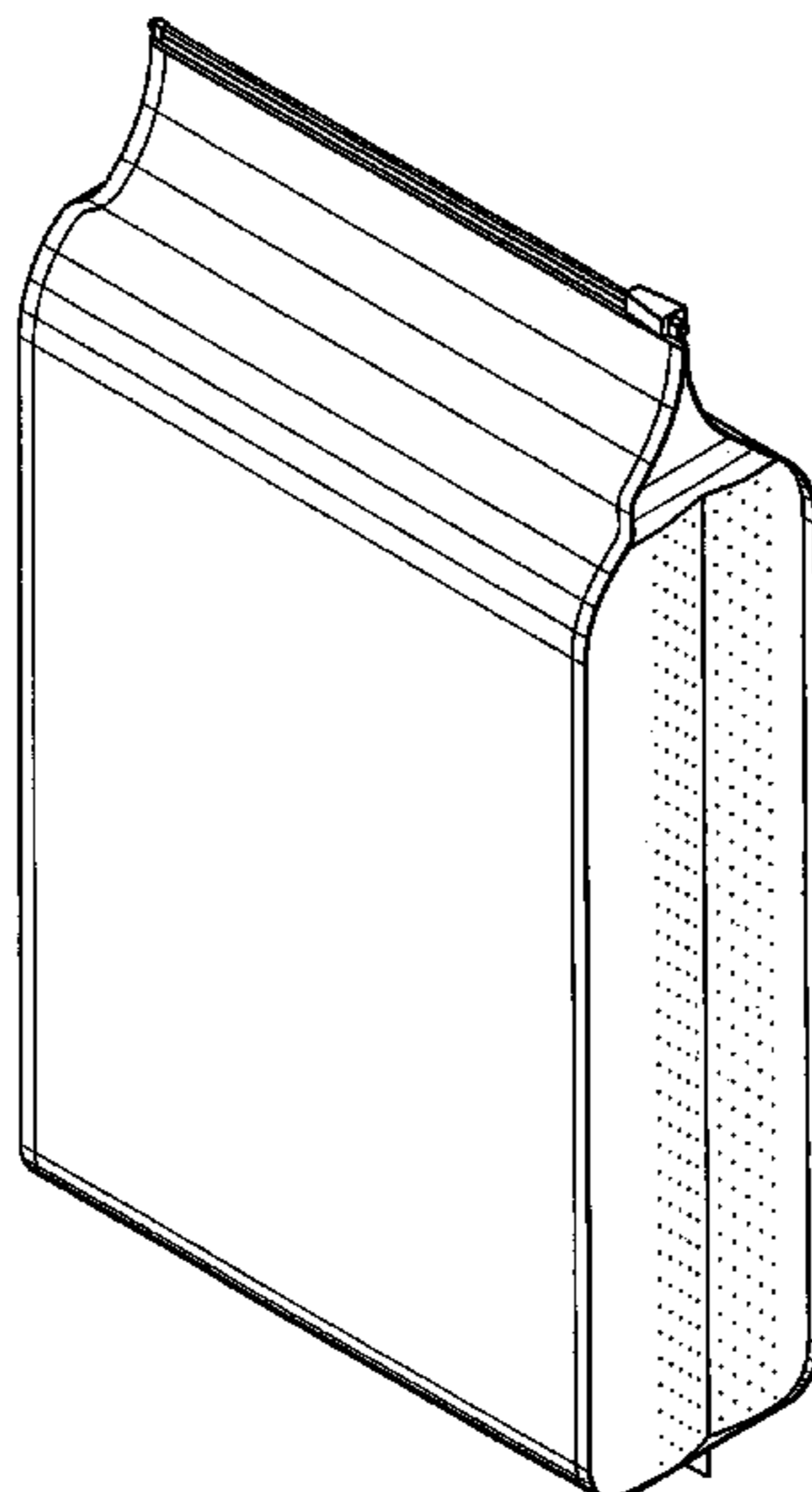
(56) **References Cited**

**U.S. PATENT DOCUMENTS**

- 3,291,374 A \* 12/1966 Lepisto et al. .... 383/200
- 3,663,239 A \* 5/1972 Rowe et al. .... 426/113
- 5,211,975 A \* 5/1993 Mendenhall et al. .... 426/107
- 5,352,466 A \* 10/1994 Delonis ..... 426/123
- 5,417,040 A \* 5/1995 Davoren ..... 53/455
- 5,553,942 A \* 9/1996 Domke et al. .... 383/101
- 5,788,378 A \* 8/1998 Thomas ..... 383/63
- 6,398,412 B2 \* 6/2002 Wedi et al. .... 383/211
- D474,681 S \* 5/2003 Berman ..... D9/708
- 6,592,702 B2 \* 7/2003 Nickell et al. .... 156/244.11
- 6,644,539 B2 \* 11/2003 Boyd et al. .... 229/104

The broken lines in the drawings are for illustrative purposes only and do not form a part of the claimed design. All views are shown with the side-gusseted bag in an expanded or filled form.

**1 Claim, 10 Drawing Sheets**



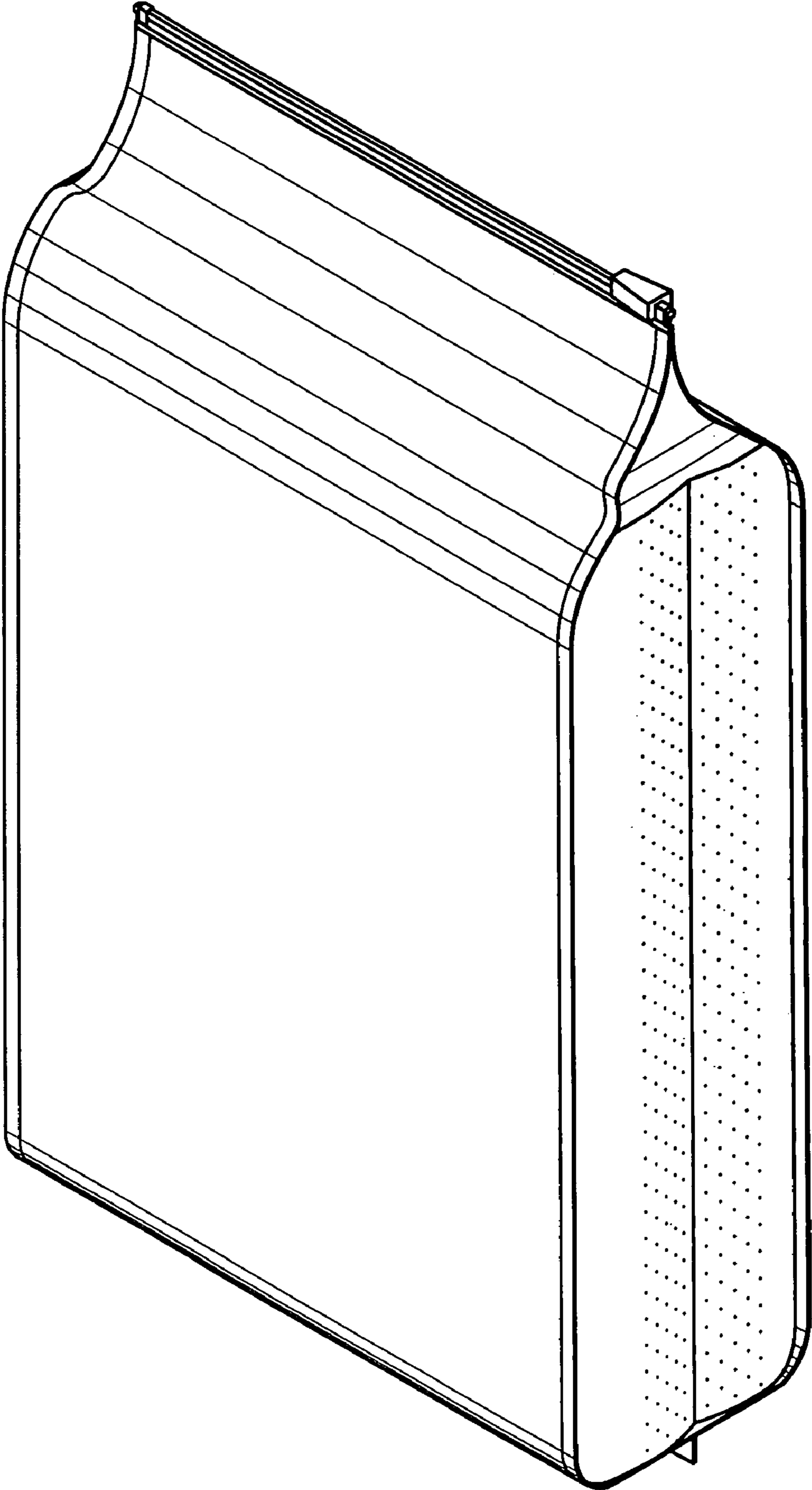
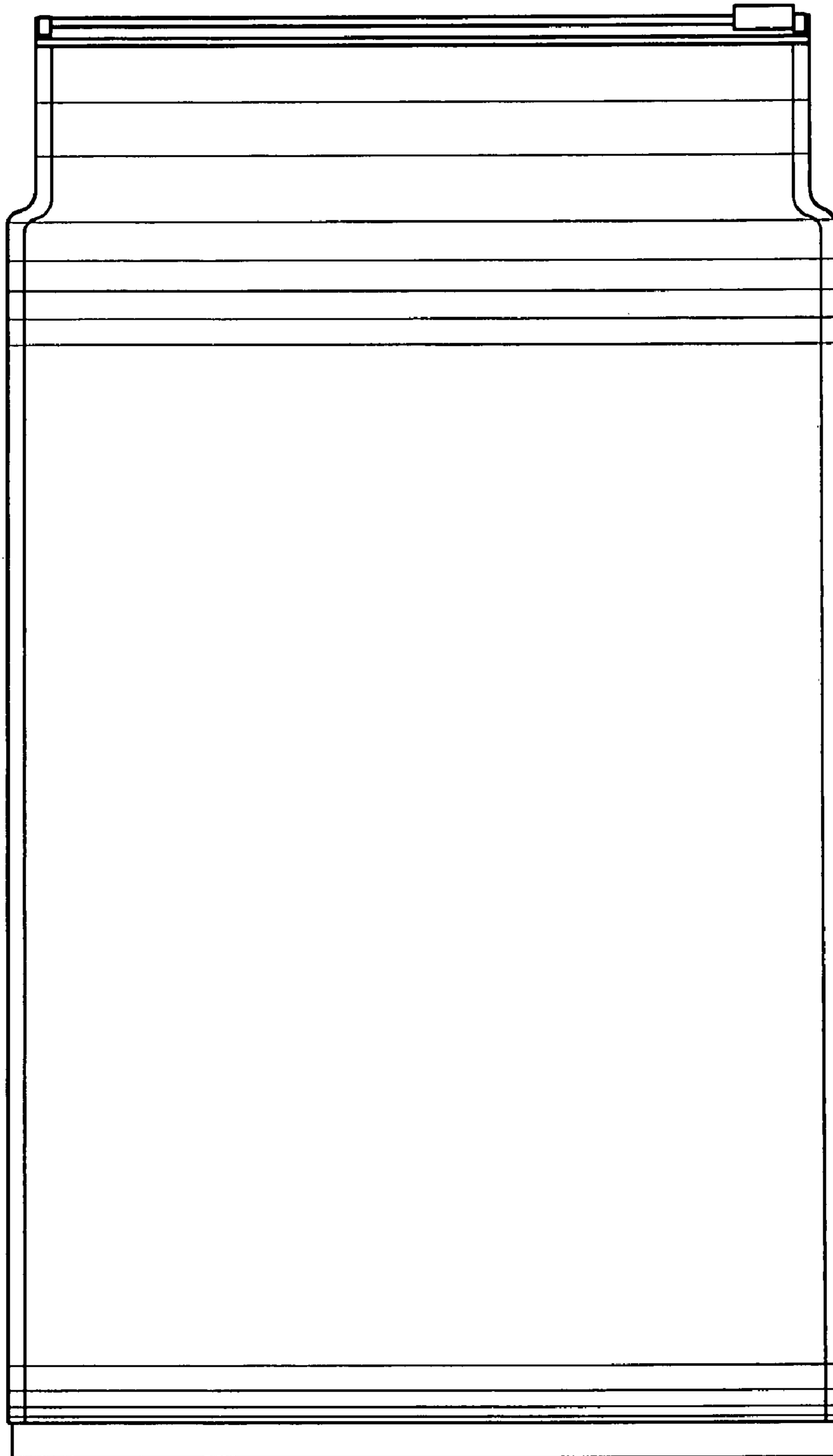
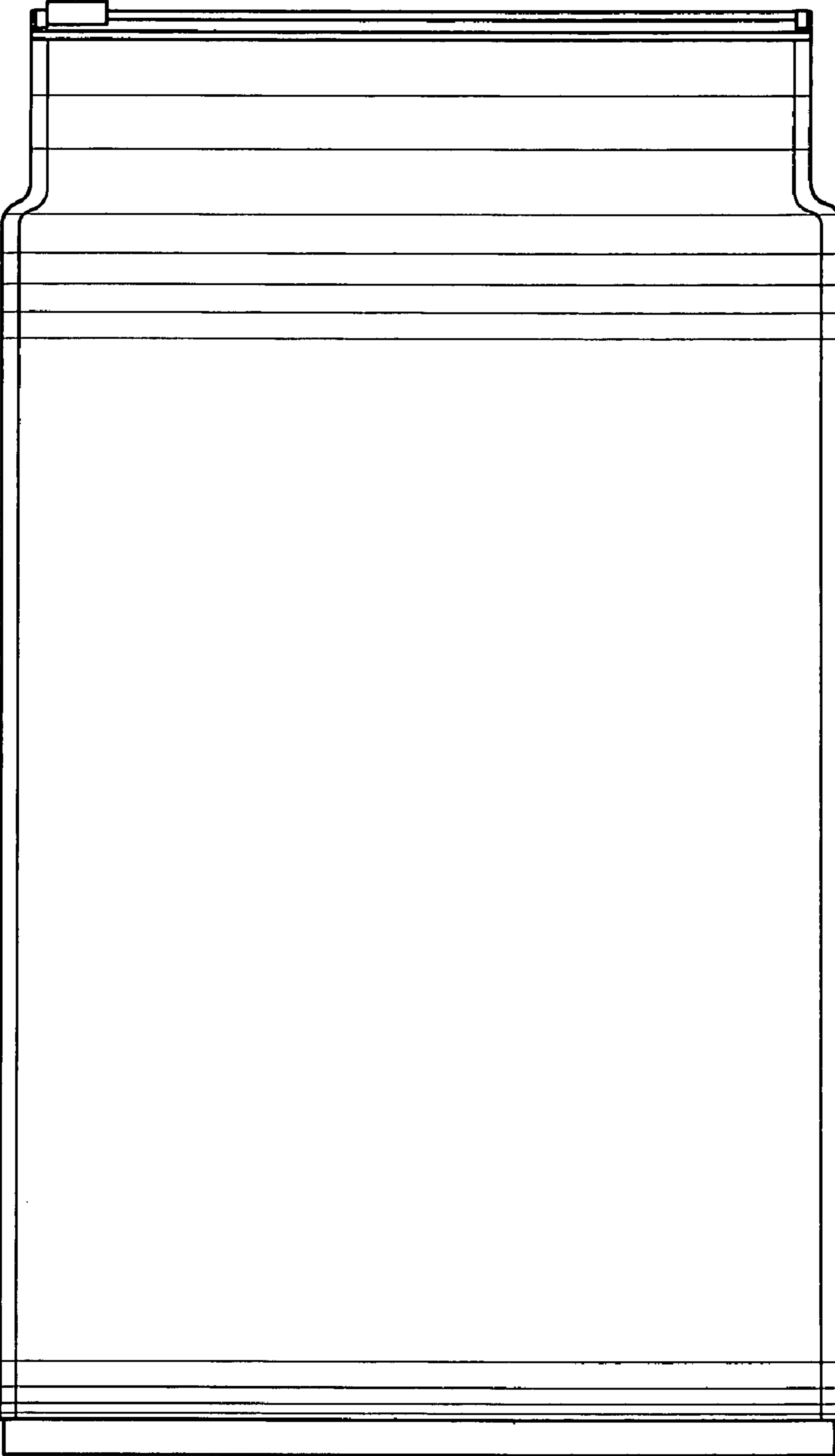


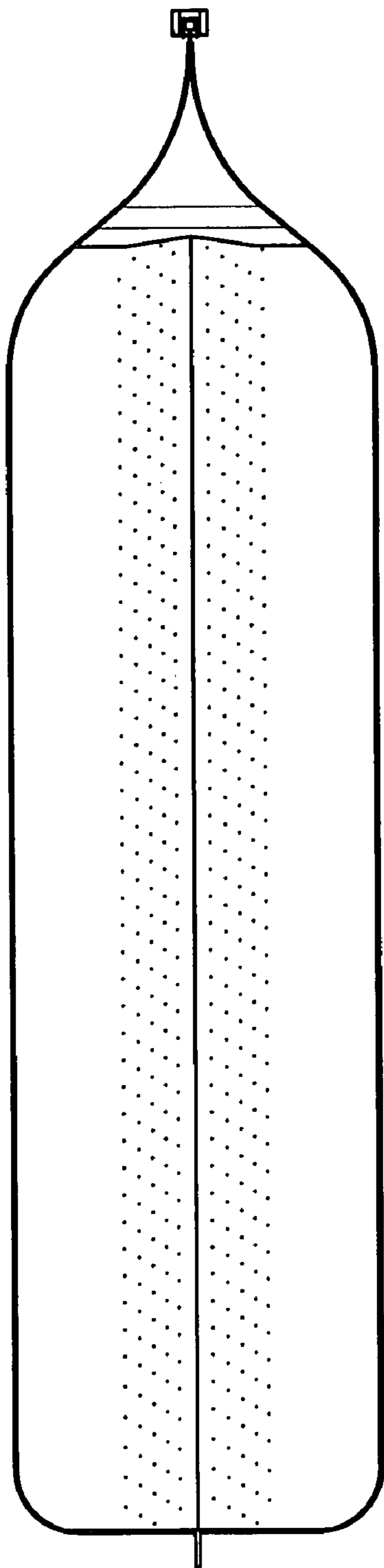
Fig. 1



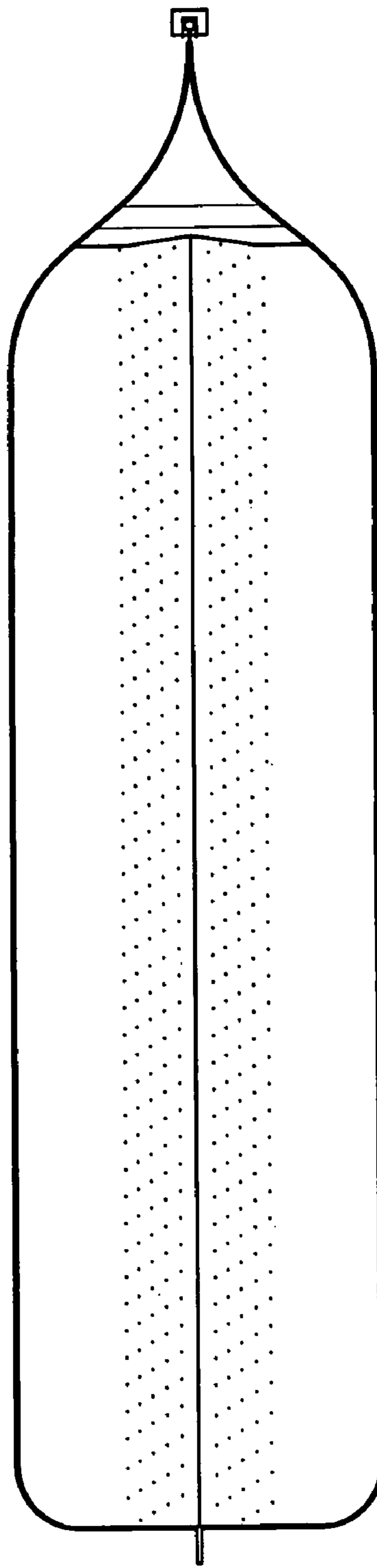
**Fig. 2**



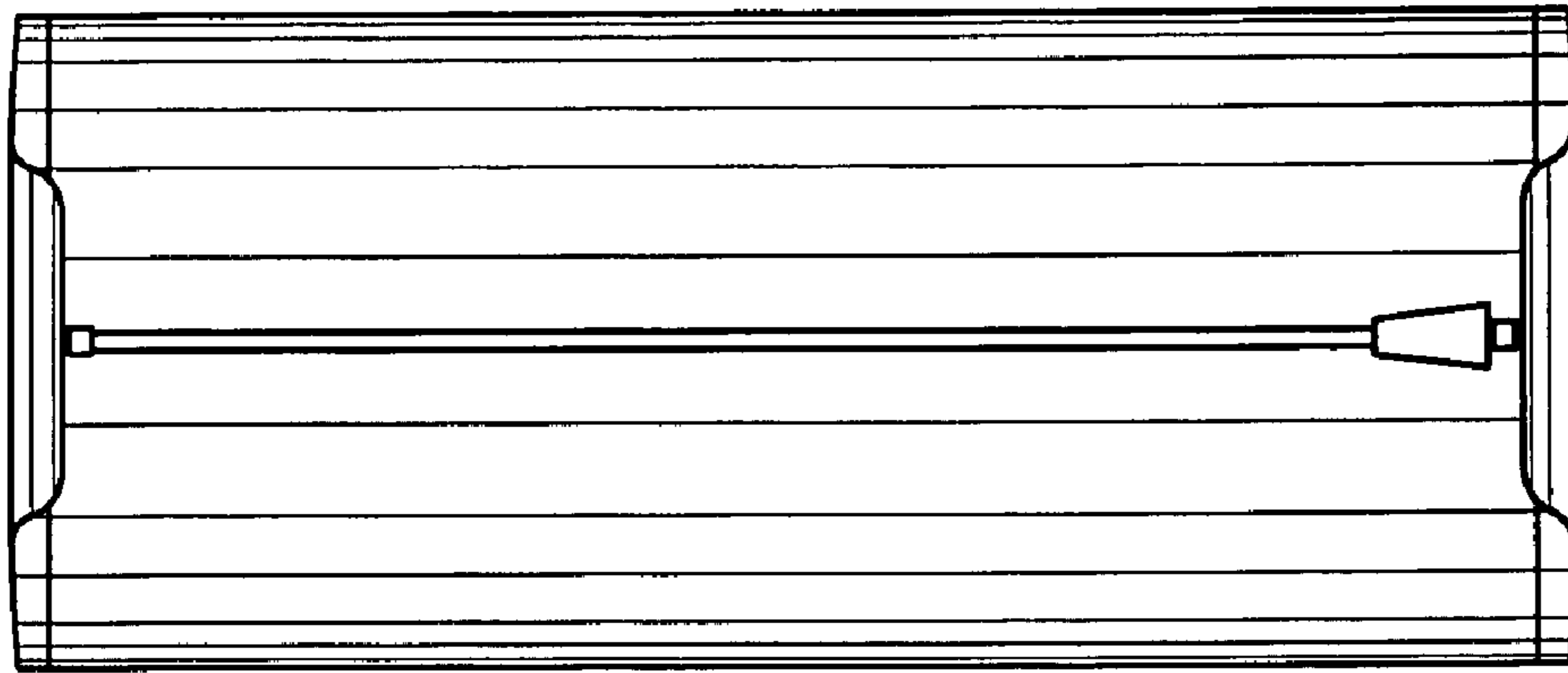
**Fig. 3**



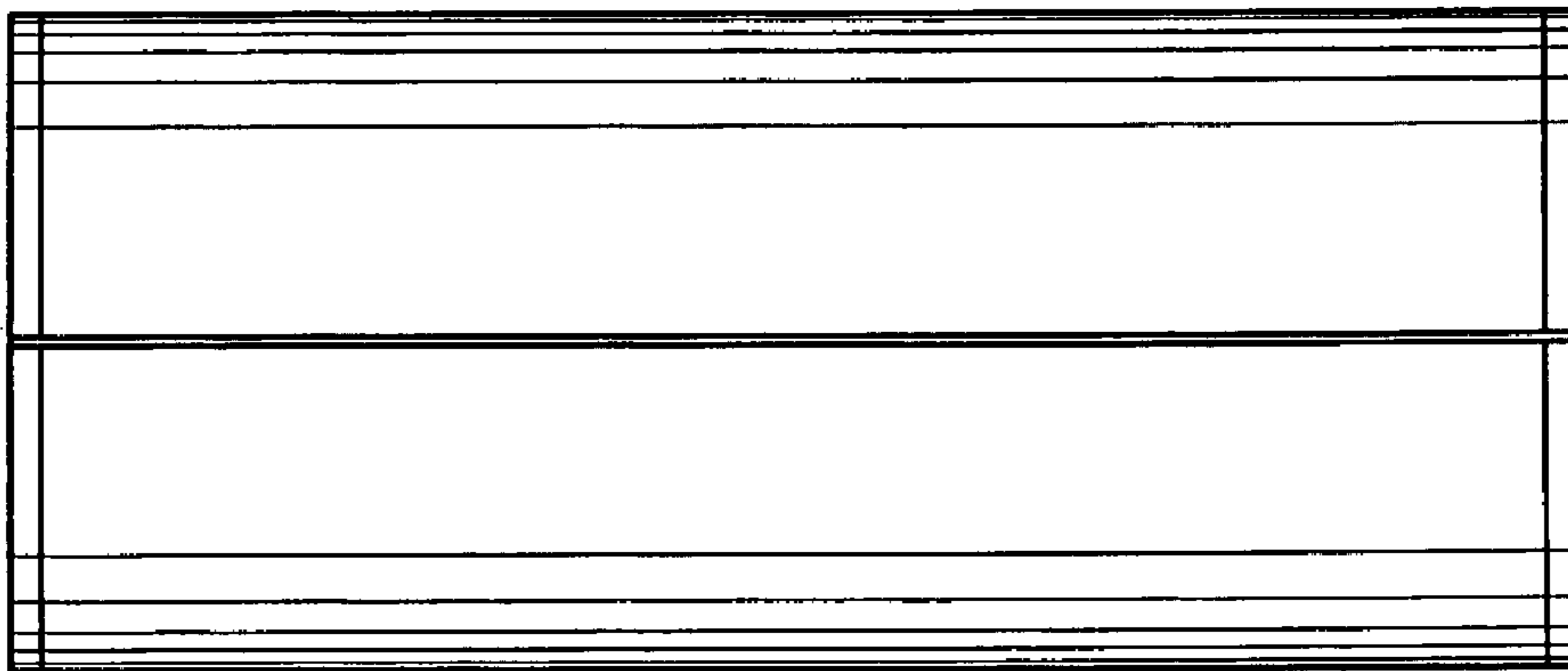
**Fig. 4**



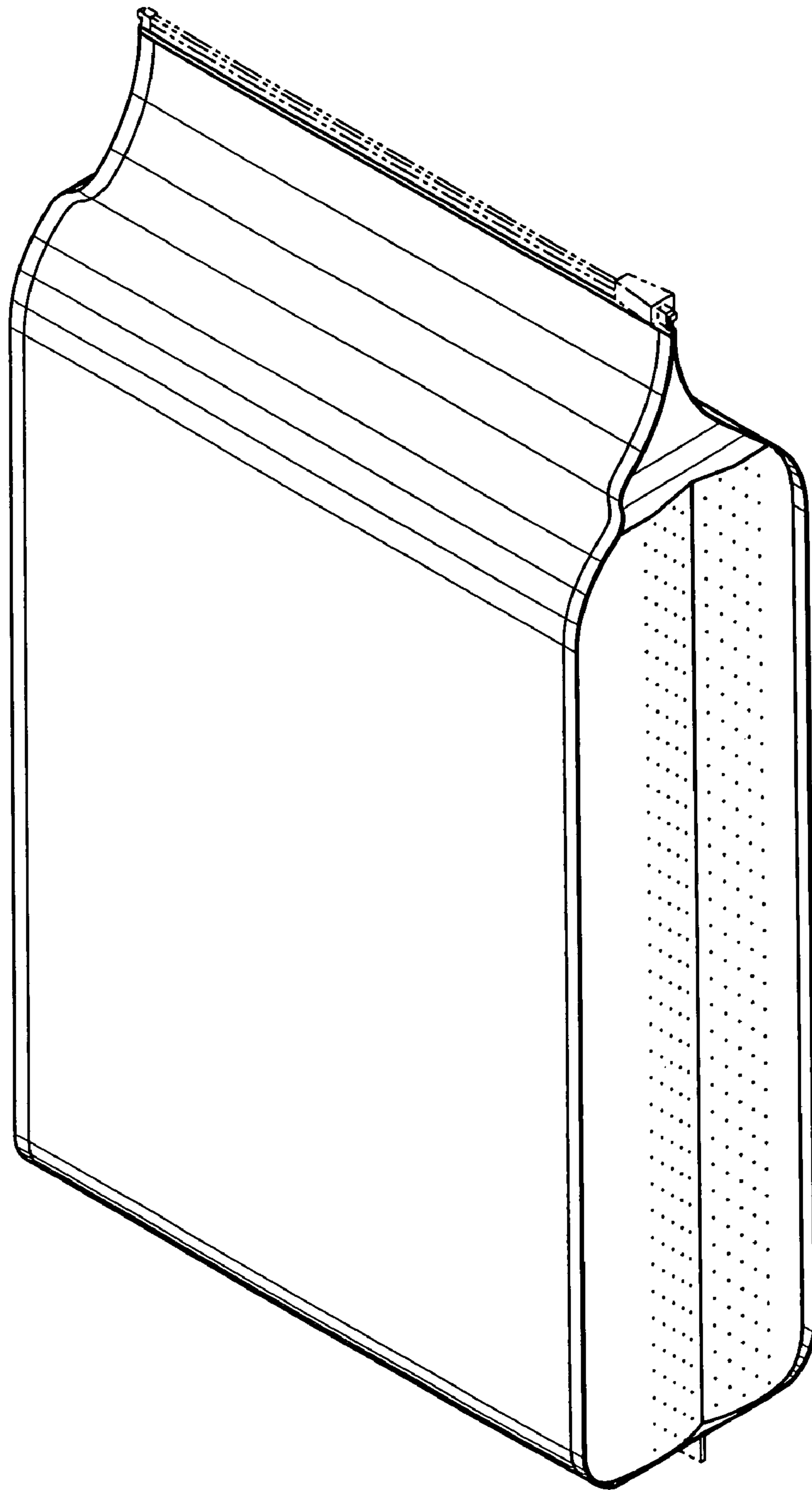
**Fig. 5**



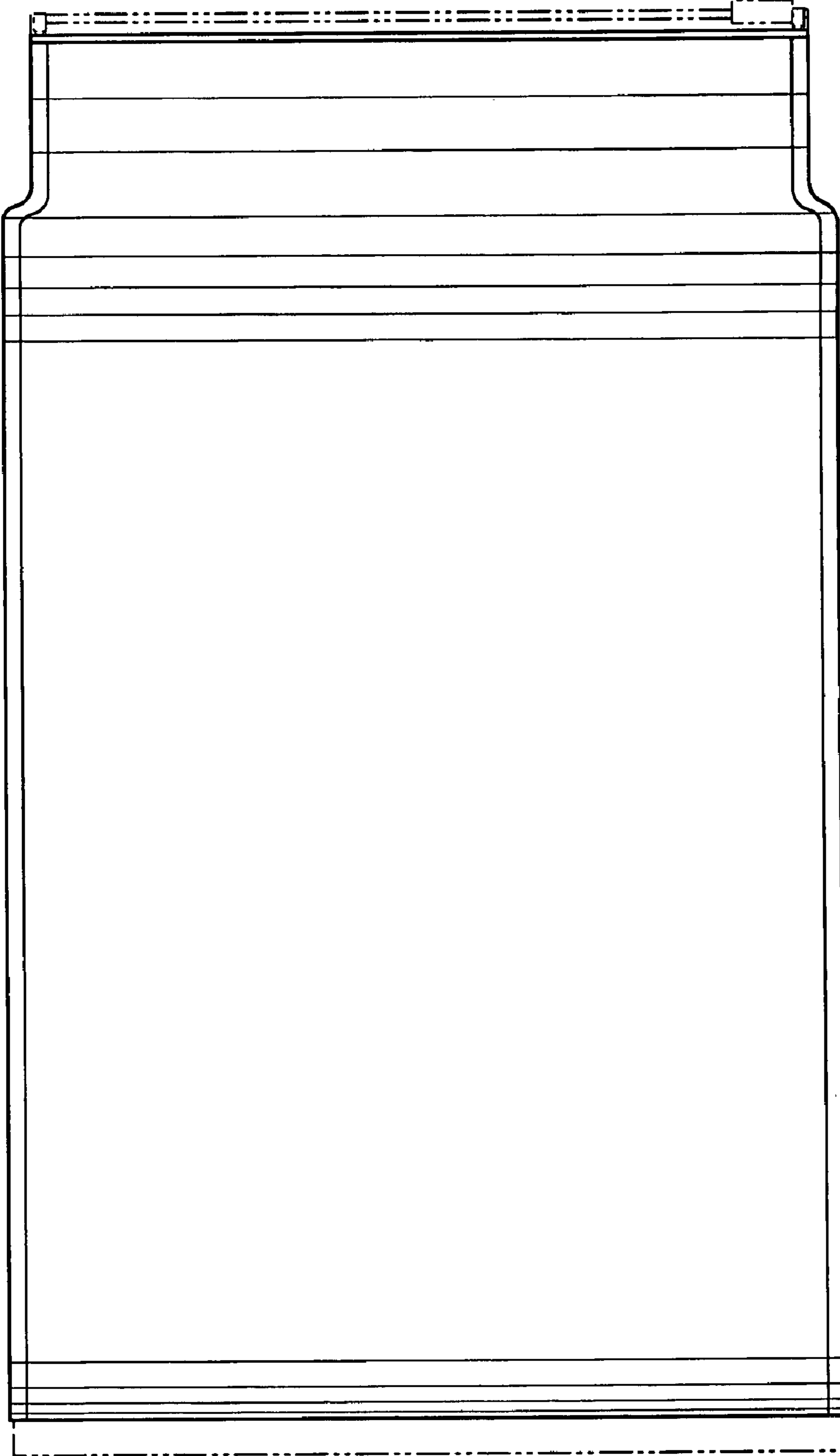
**Fig. 6**



**Fig. 7**

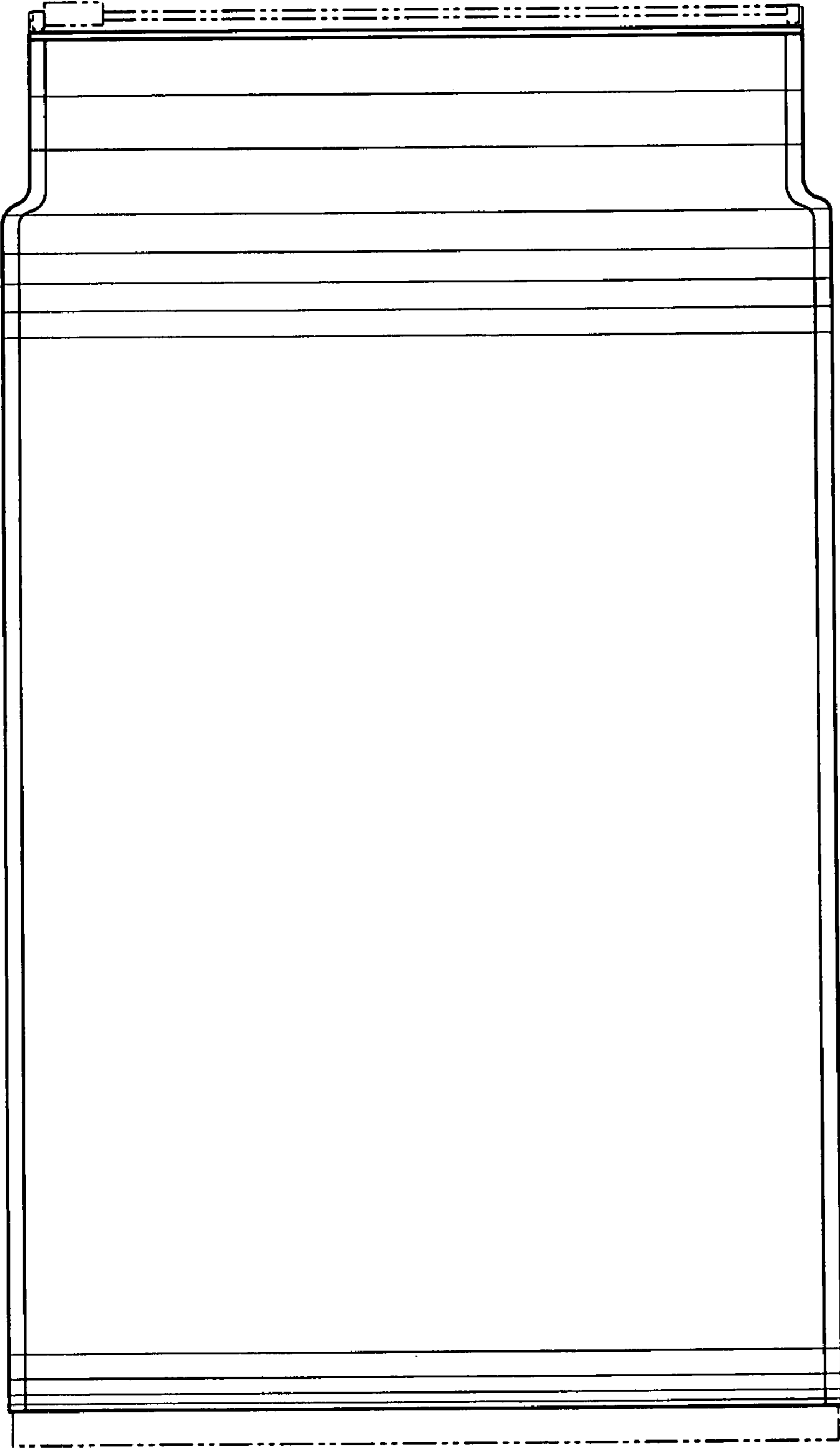


**Fig. 8**

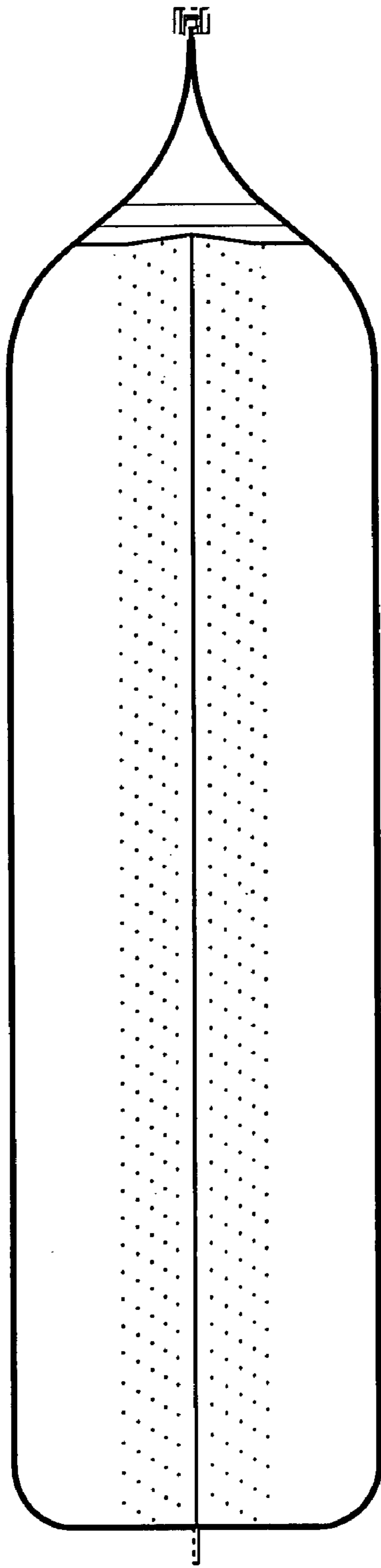


**Fig. 9**

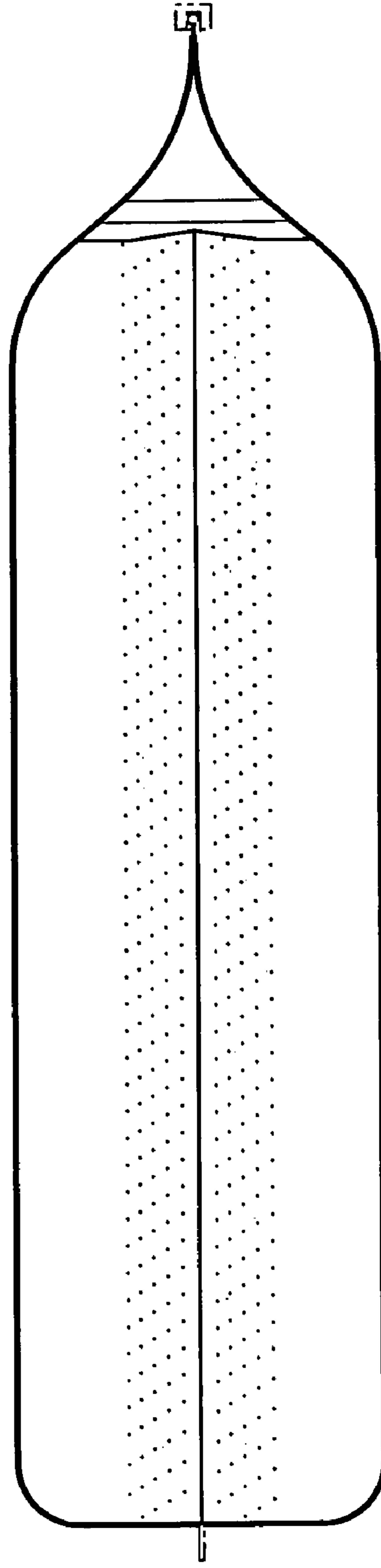




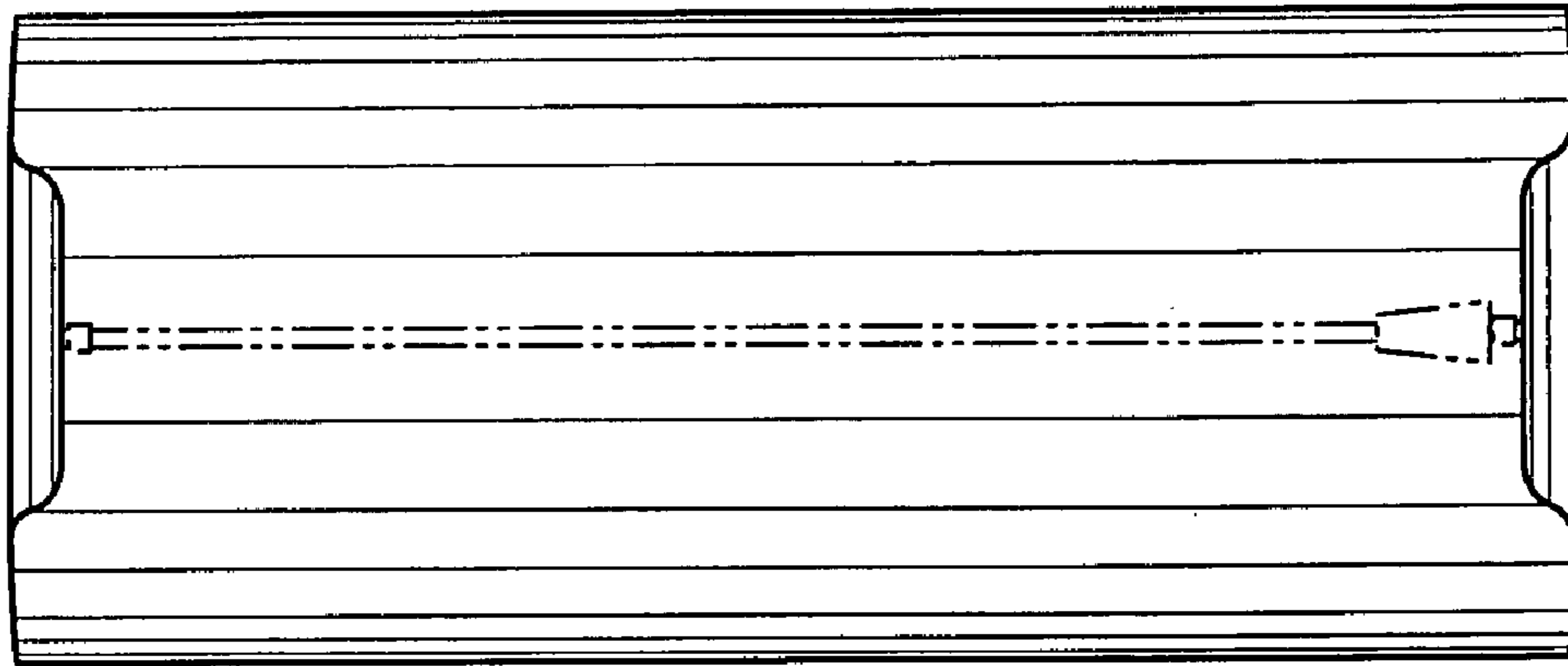
**Fig. 10**



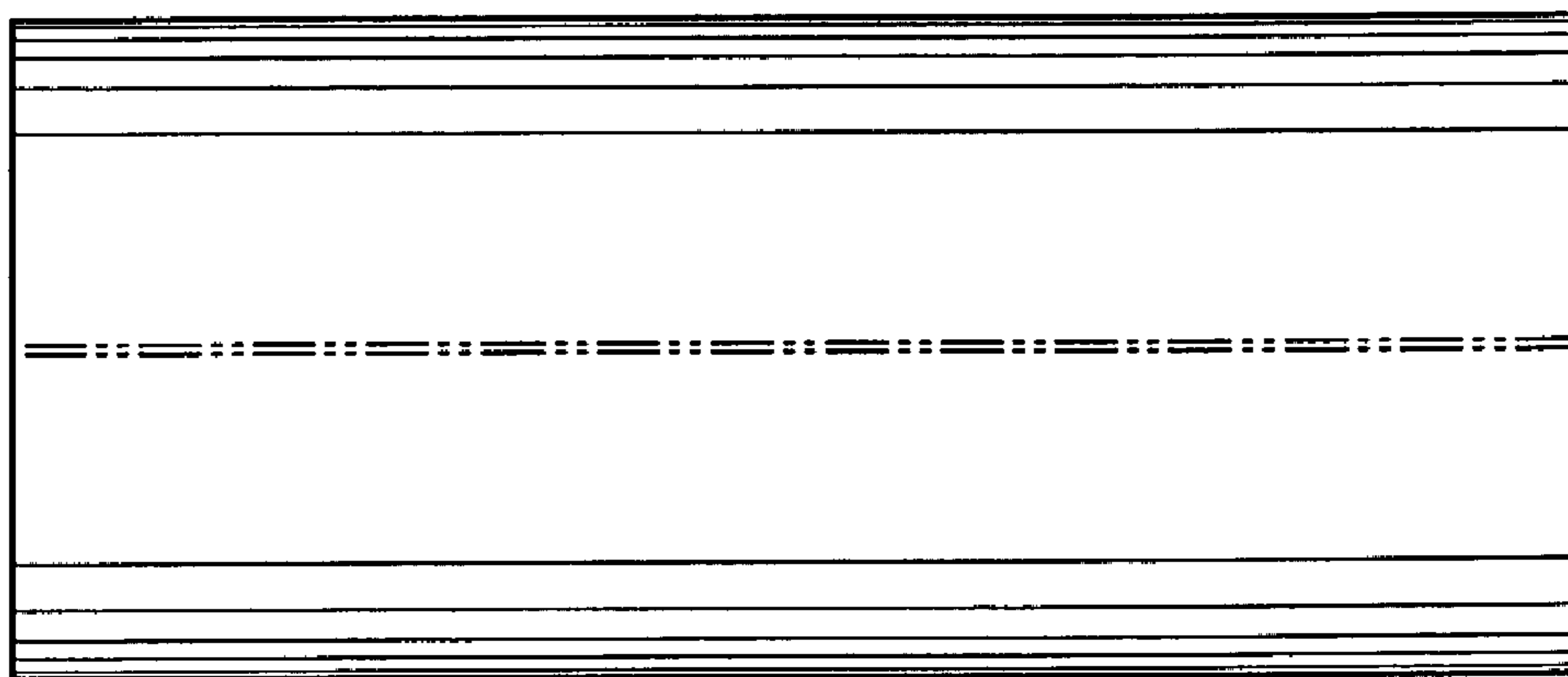
**Fig. 11**



**Fig. 12**



**Fig. 13**



**Fig. 14**