



US00D584164S

(12) **United States Design Patent**
Jin

(10) **Patent No.:** **US D584,164 S**
(45) **Date of Patent:** **** Jan. 6, 2009**

(54) **DIAPER GIFT BAG**

(75) Inventor: **Nan Jin**, Shanghai (CN)

(73) Assignee: **American Greetings Corporation**,
Cleveland, OH (US)

(**) Term: **14 Years**

(21) Appl. No.: **29/304,380**

(22) Filed: **Feb. 29, 2008**

(51) **LOC (9) Cl.** **09-05**

(52) **U.S. Cl.** **D9/703**

(58) **Field of Classification Search** D9/703-709,
D9/720, 631; 383/104, 120, 127, 38, 83,
383/71, 72; 229/923, 87.01, 87.19; 220/666;
D3/303-307, 221, 226, 232, 240; 206/286;
150/100, 107, 112, 118

See application file for complete search history.

(56) **References Cited**

U.S. PATENT DOCUMENTS

| | | | |
|--------------|---------|------------|--------|
| 4,202,472 A | 5/1980 | Lin | |
| D420,511 S | 2/2000 | du Sartel | |
| D423,215 S * | 4/2000 | Furlanetto | D3/303 |
| D423,216 S | 4/2000 | Medeiros | |
| D433,803 S * | 11/2000 | Haapala | D3/246 |
| D441,529 S * | 5/2001 | Guyon | D3/246 |
| D444,297 S * | 7/2001 | Starck | D3/276 |
| D444,945 S * | 7/2001 | Starck | D3/276 |
| D452,074 S * | 12/2001 | Guyon | D3/246 |
| D471,089 S | 3/2003 | Schweky | |
| D480,954 S | 10/2003 | Furuta | |
| D485,166 S | 1/2004 | Clark | |
| D491,354 S * | 6/2004 | Chapelier | D3/246 |
| D510,661 S * | 10/2005 | Suppangig | D3/246 |
| D523,632 S * | 6/2006 | Handley | D3/246 |
| D526,485 S * | 8/2006 | Harvey | D3/289 |
| D530,510 S * | 10/2006 | Suppangig | D3/246 |
| D539,165 S | 3/2007 | Clark | |

| | | | |
|--------------|---------|----------------|--------|
| D552,353 S * | 10/2007 | Fangman et al. | D3/321 |
| D559,541 S * | 1/2008 | Clark et al. | D3/245 |
| D561,605 S | 2/2008 | Zaharakos | |

* cited by examiner

Primary Examiner—Caron D. Veynar

Assistant Examiner—Abraham Bahta

(74) *Attorney, Agent, or Firm*—Roetzel & Andress

(57) **CLAIM**

The ornamental design for a diaper gift bag, as shown and described.

DESCRIPTION

FIG. 1 is a front perspective view of the diaper gift bag invention, which is identical to a rear perspective view thereof;

FIG. 2 is a front elevation view thereof, which is identical to a rear elevation view thereof;

FIG. 3 is a right side elevation view thereof, which is identical to a left side elevation view thereof;

FIG. 4 is a top plan view thereof, and

FIG. 5 is a bottom plan view thereof;

FIG. 6 is a front perspective of an alternate embodiment of the diaper gift bag invention, which is identical to a rear perspective view thereof;

FIG. 7 is a front elevation view thereof, which is identical to a rear elevation view thereof;

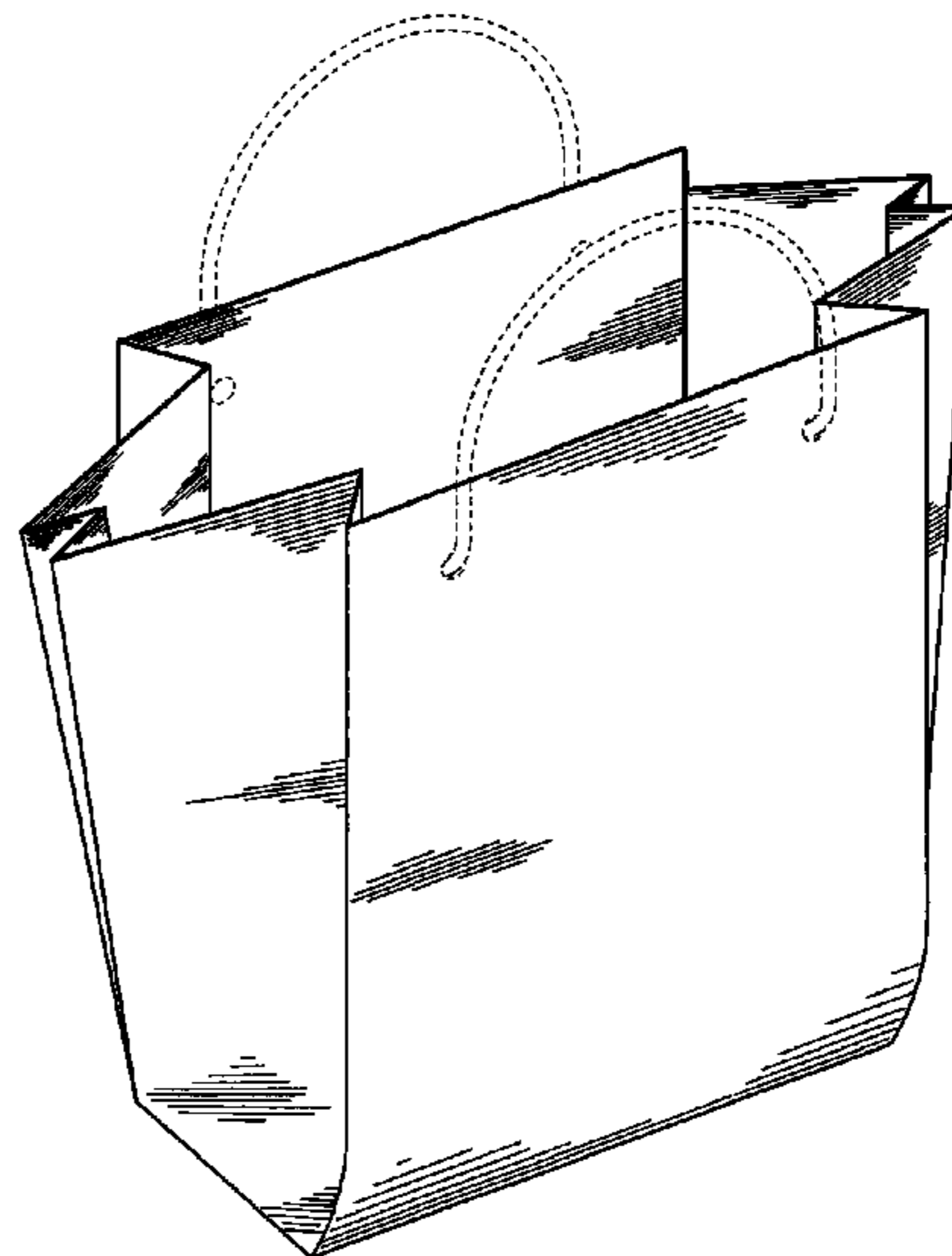
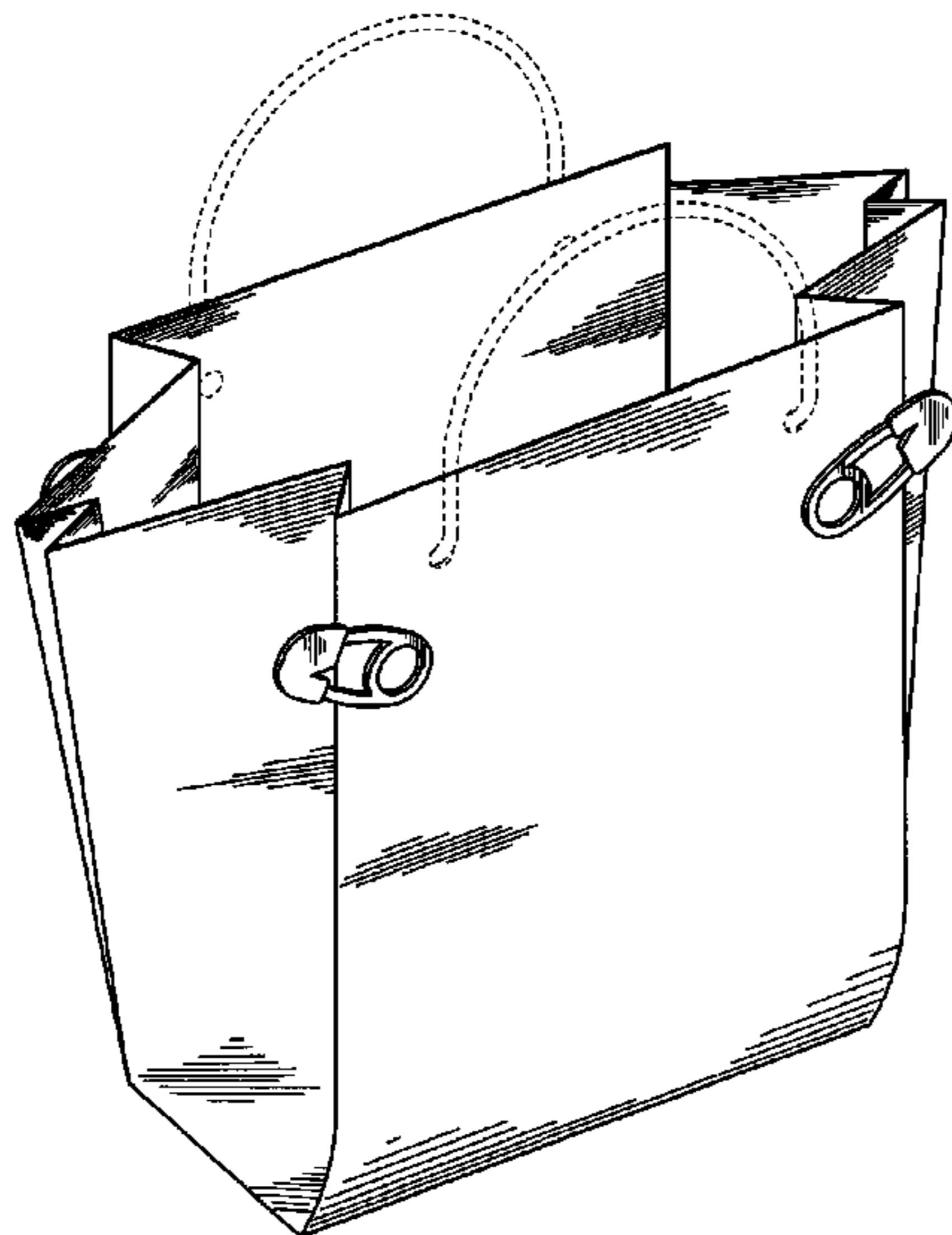
FIG. 8 is a right side view thereof, which is identical to a left side elevation view thereof;

FIG. 9 is a top plan view thereof; and,

FIG. 10 is bottom plan view thereof.

The broken lines shown in the drawing are for illustrative purposes only and form no part of the claimed design.

1 Claim, 6 Drawing Sheets



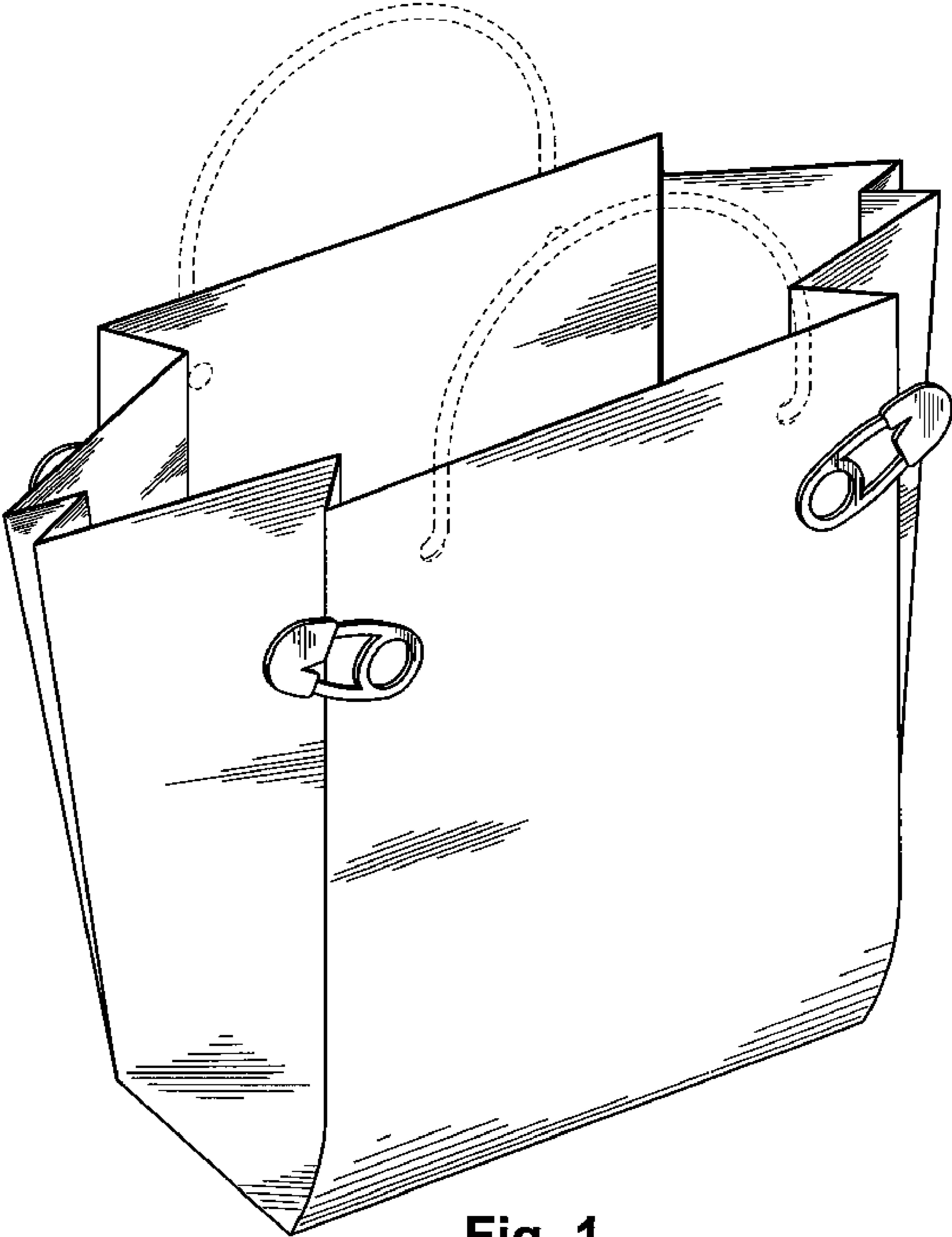


Fig. 1

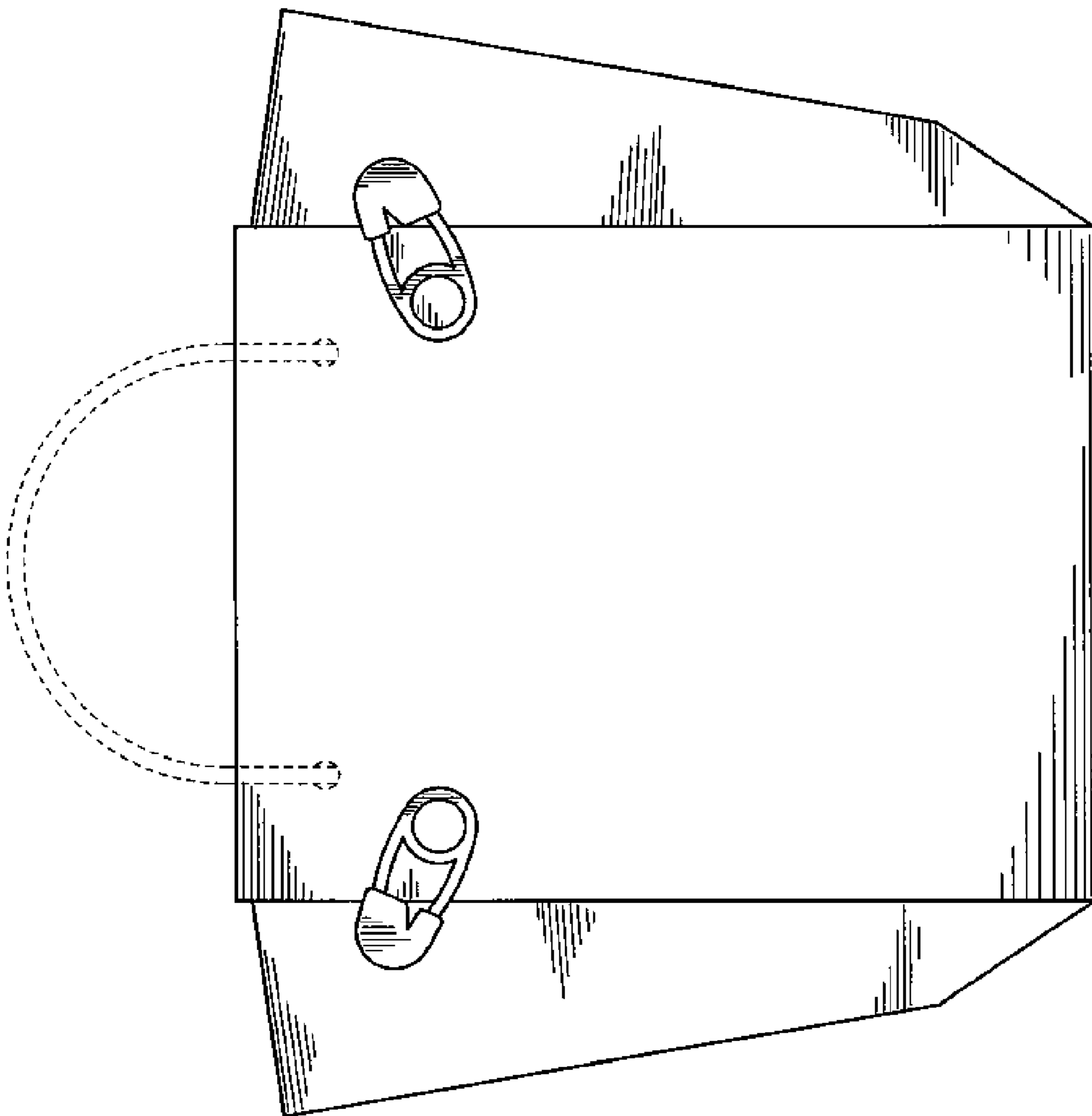


Fig. 2

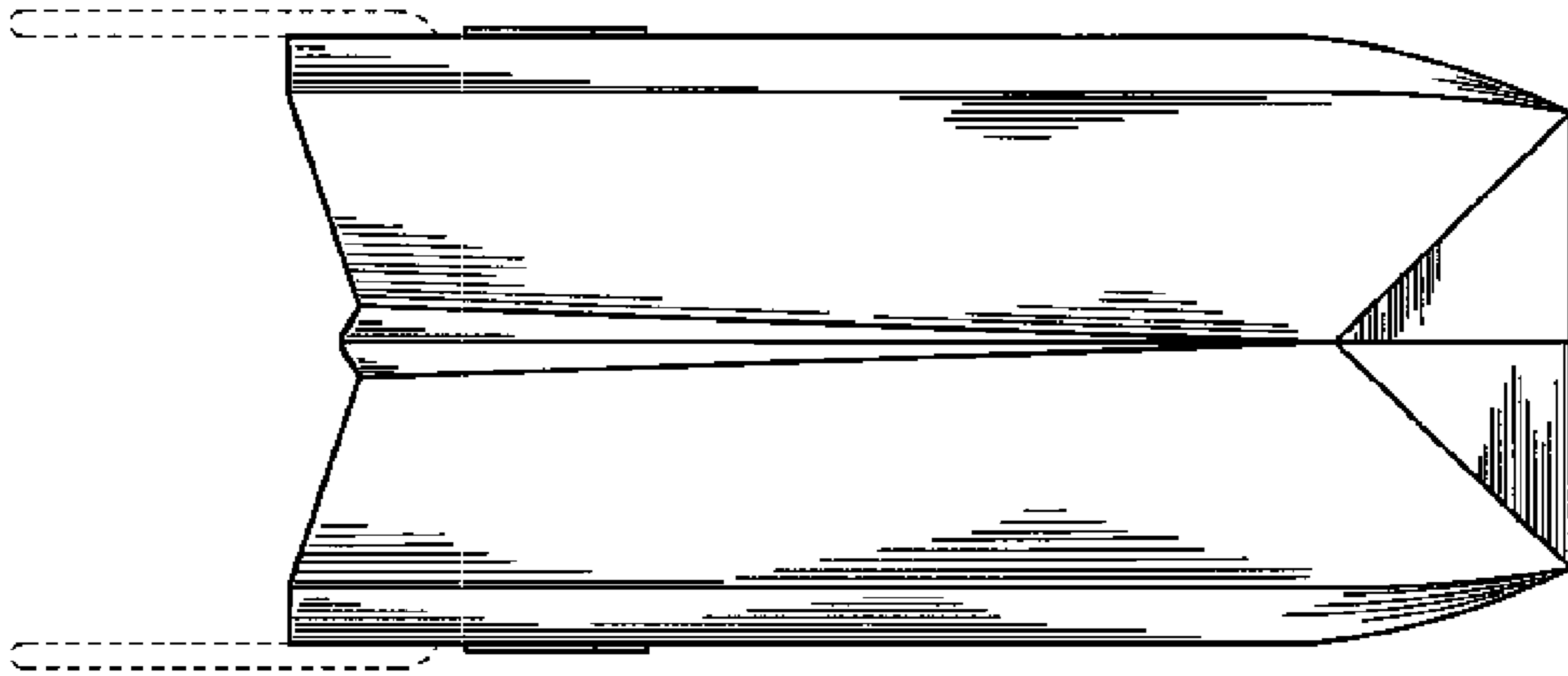


Fig. 3

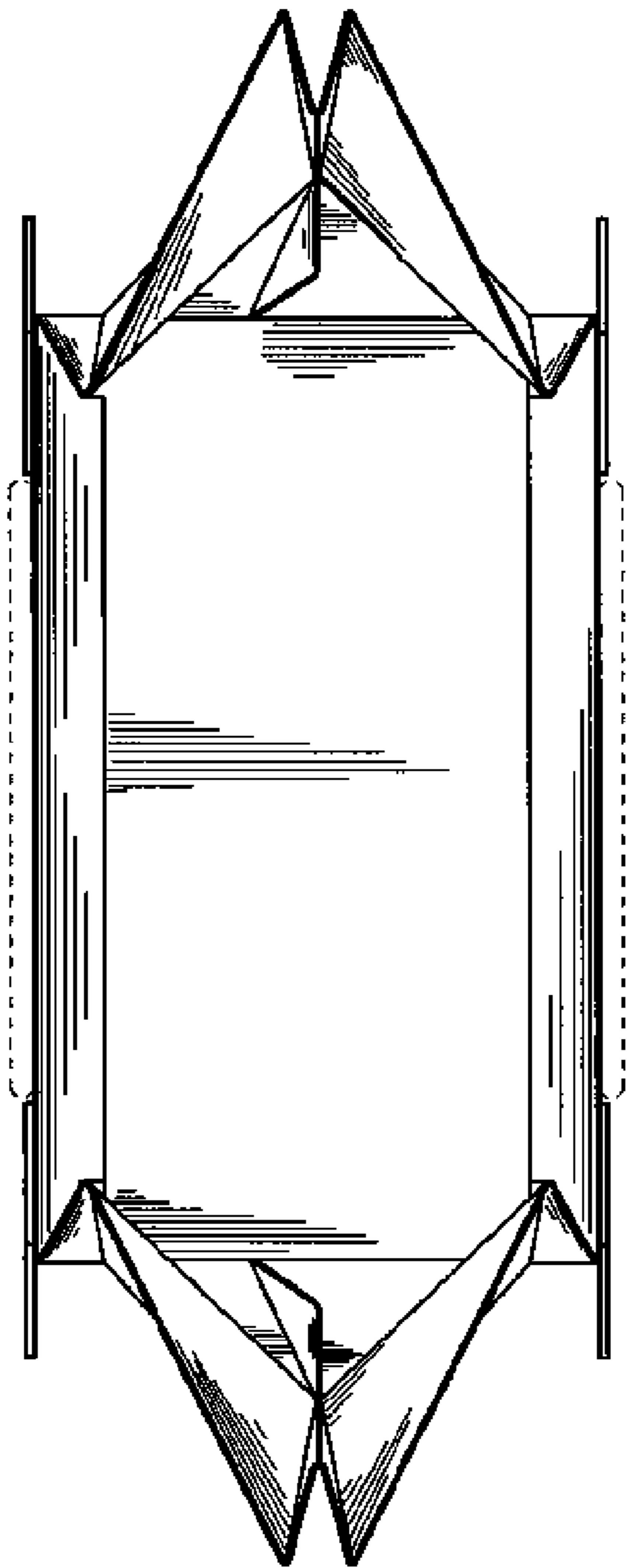


Fig. 4

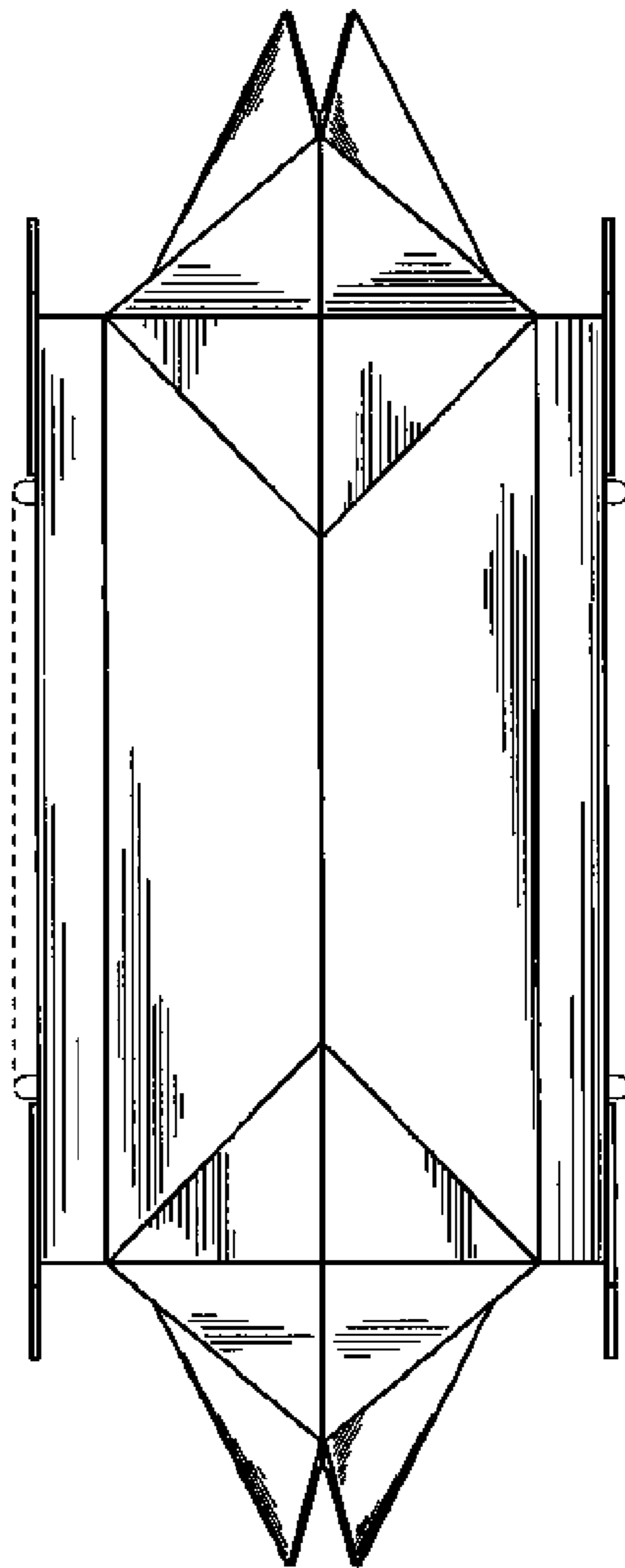


Fig. 5

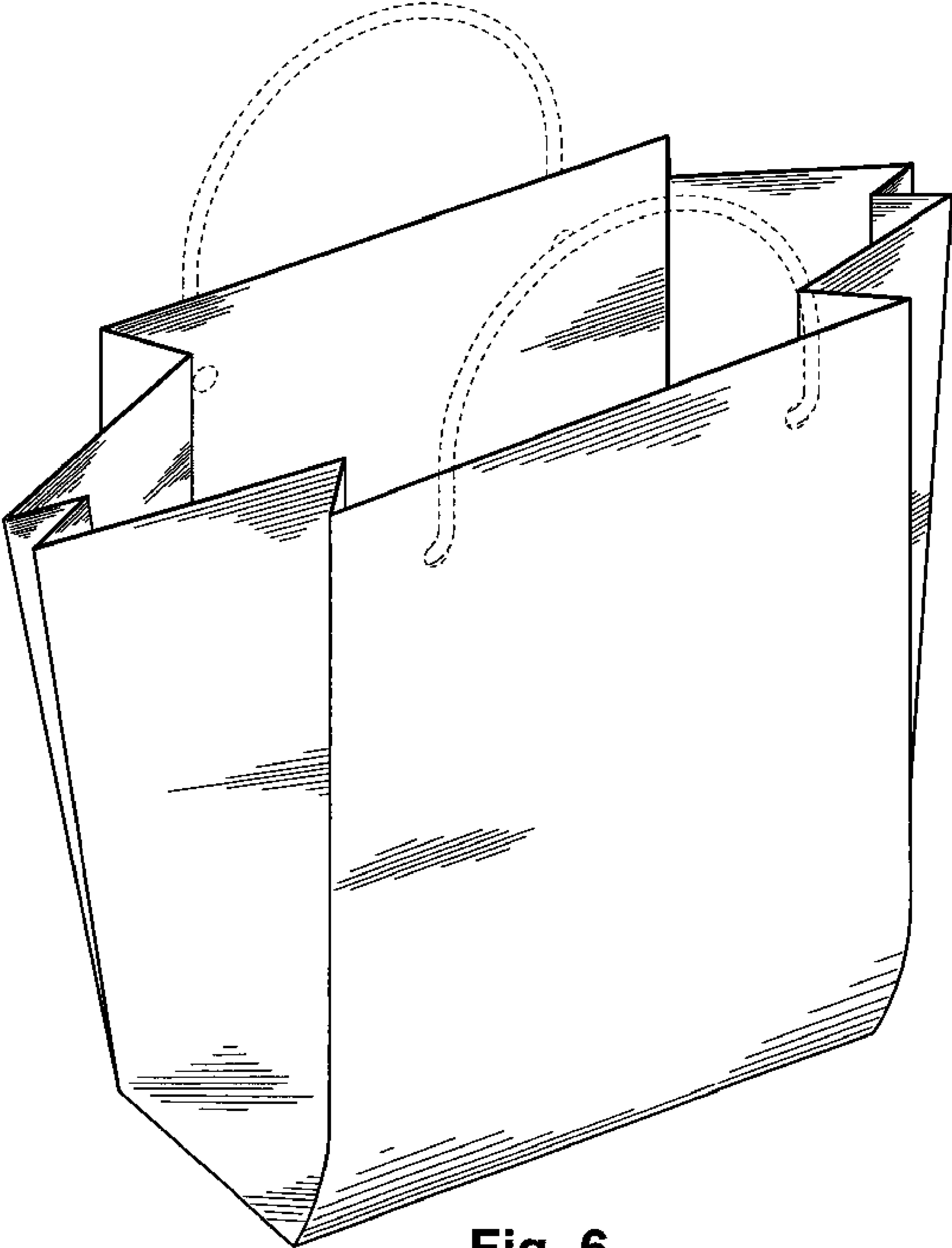


Fig. 6

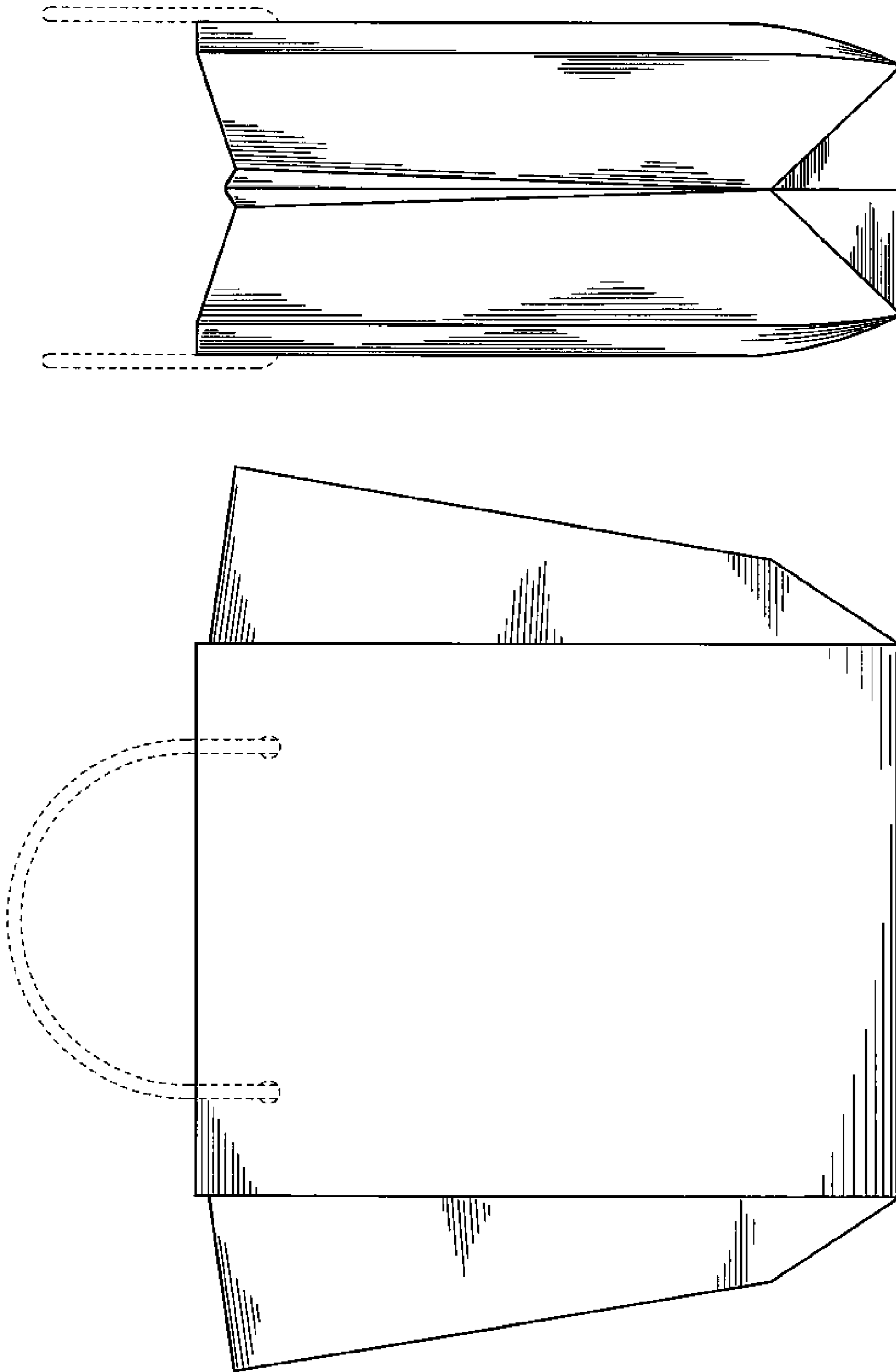


Fig. 8

Fig. 7

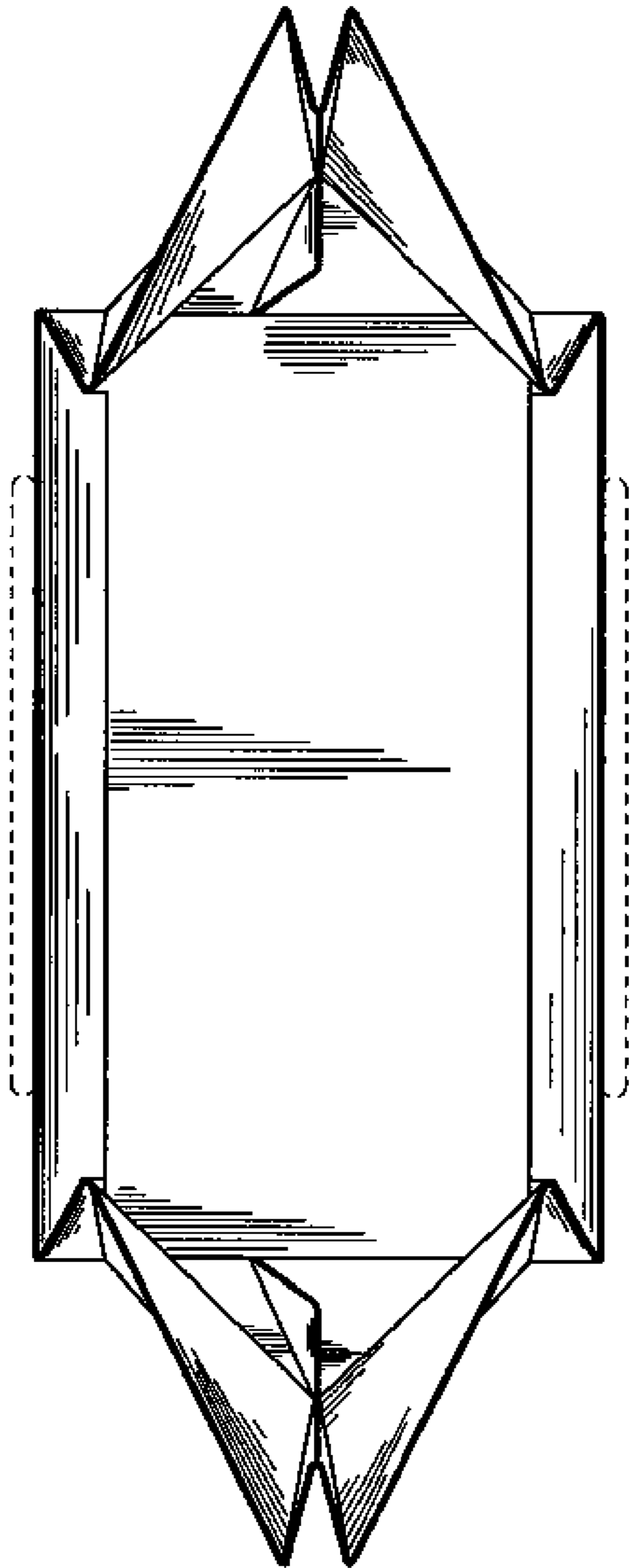


Fig. 9

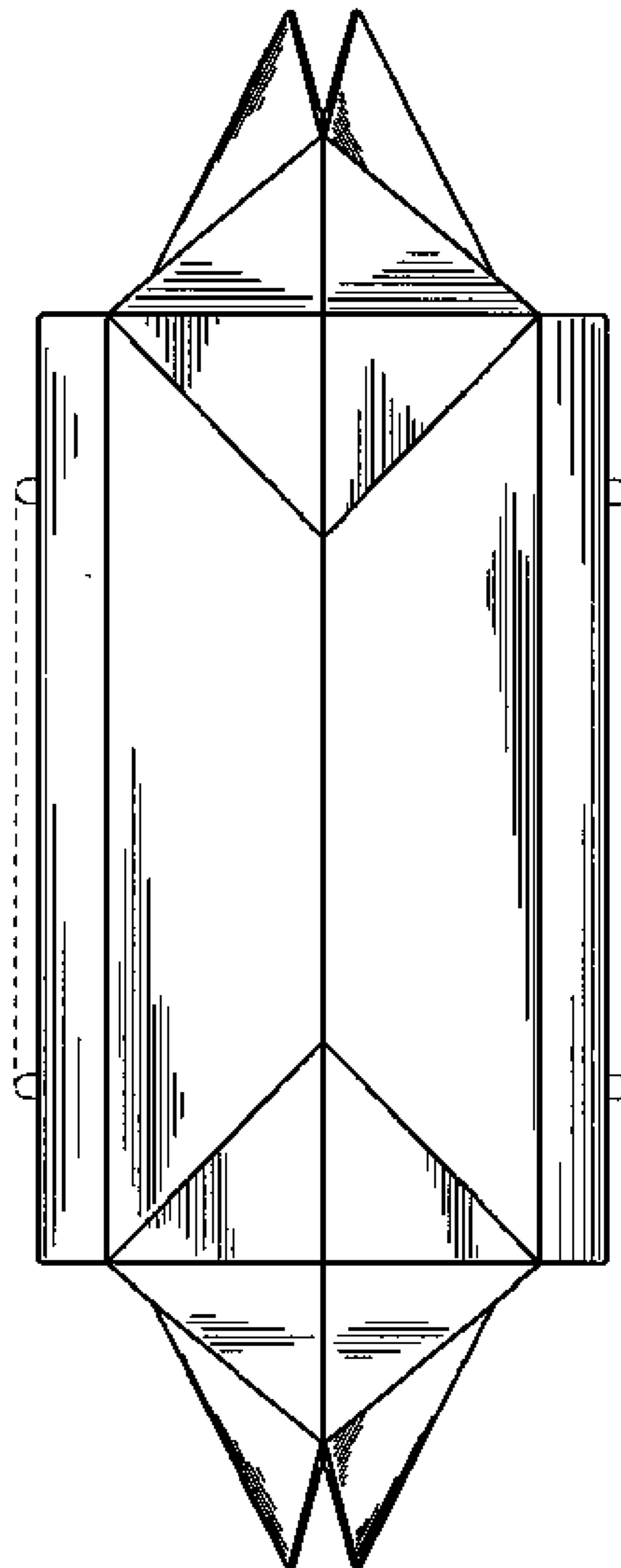


Fig. 10