

US00D584161S

(12) **United States Design Patent**  
**Barker**

(10) **Patent No.:** **US D584,161 S**

(45) **Date of Patent:** **\*\* Jan. 6, 2009**

(54) **BEVERAGE BOTTLE**

D465,151 S \* 11/2002 Mixon ..... D9/668  
D489,001 S \* 4/2004 Martin ..... D9/668

(76) Inventor: **Robert Barker**, 350 Cadiz Rd.,  
Wintersville, OH (US) 43953

\* cited by examiner

(\*\*) Term: **14 Years**

*Primary Examiner*—Sandra Morris

(74) *Attorney, Agent, or Firm*—Fulbright & Jaworski LLP

(21) Appl. No.: **29/302,501**

(57) **CLAIM**

(22) Filed: **Jan. 17, 2008**

The ornamental design for a beverage bottle, as shown and described.

(51) **LOC (9) Cl.** ..... **09-01**

(52) **U.S. Cl.** ..... **D9/668; D21/681**

(58) **Field of Classification Search** ..... D3/270–271.1,  
D3/271.9; D7/514–517; D9/600, 668, 500–504,  
D9/516, 537–538; 206/457, 459.5; 215/379–383,  
215/400; 220/890; D21/681

See application file for complete search history.

**DESCRIPTION**

FIG. 1. is a front perspective view of the beverage bottle;

FIG. 2. is a rear perspective of the beverage bottle;

FIG. 3. is a top view of the beverage bottle;

FIG. 4. is a bottom view of the beverage bottle;

FIG. 5. is a right side view of the beverage bottle; and,

FIG. 6. is an left side view of the beverage bottle.

The broken lines are for illustrative purposes only and from no part of the claimed design.

(56) **References Cited**

U.S. PATENT DOCUMENTS

D255,987 S \* 7/1980 Gentili ..... D9/600  
D317,256 S \* 6/1991 Samuels ..... D9/503  
D337,522 S \* 7/1993 Kingsbury ..... D9/538  
D456,705 S \* 5/2002 Vijn ..... D9/668

**1 Claim, 3 Drawing Sheets**

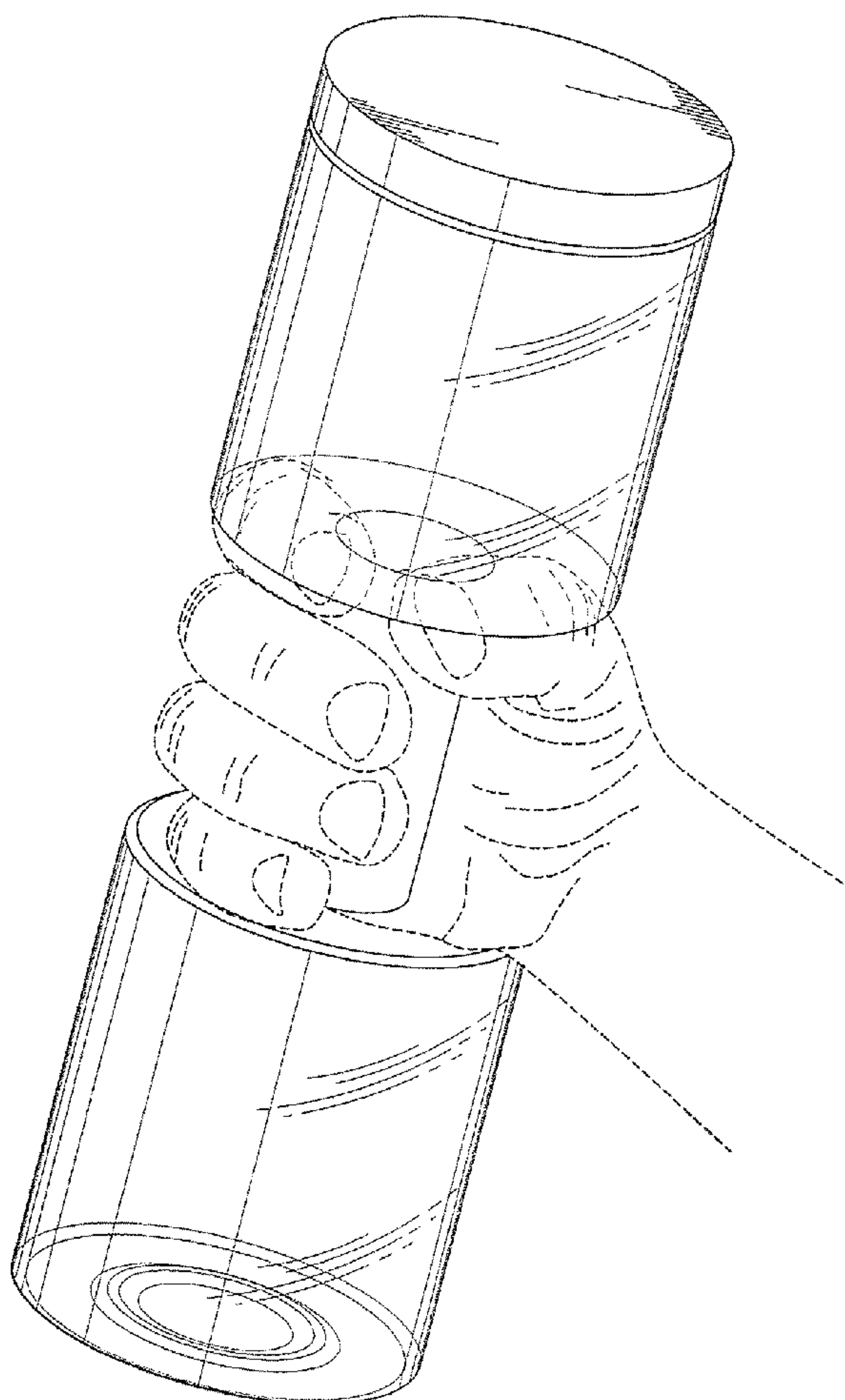


FIG. 1

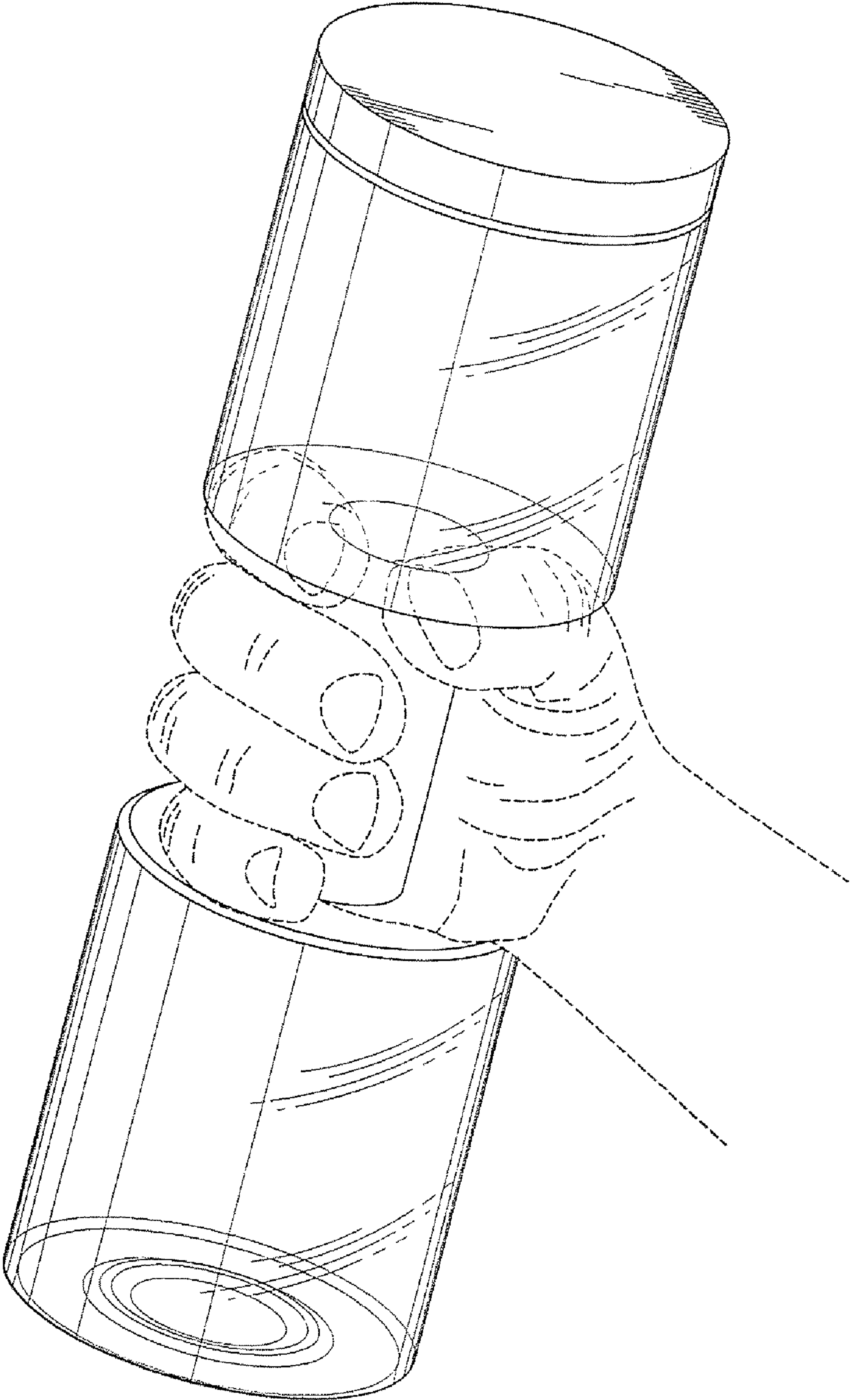


FIG. 2

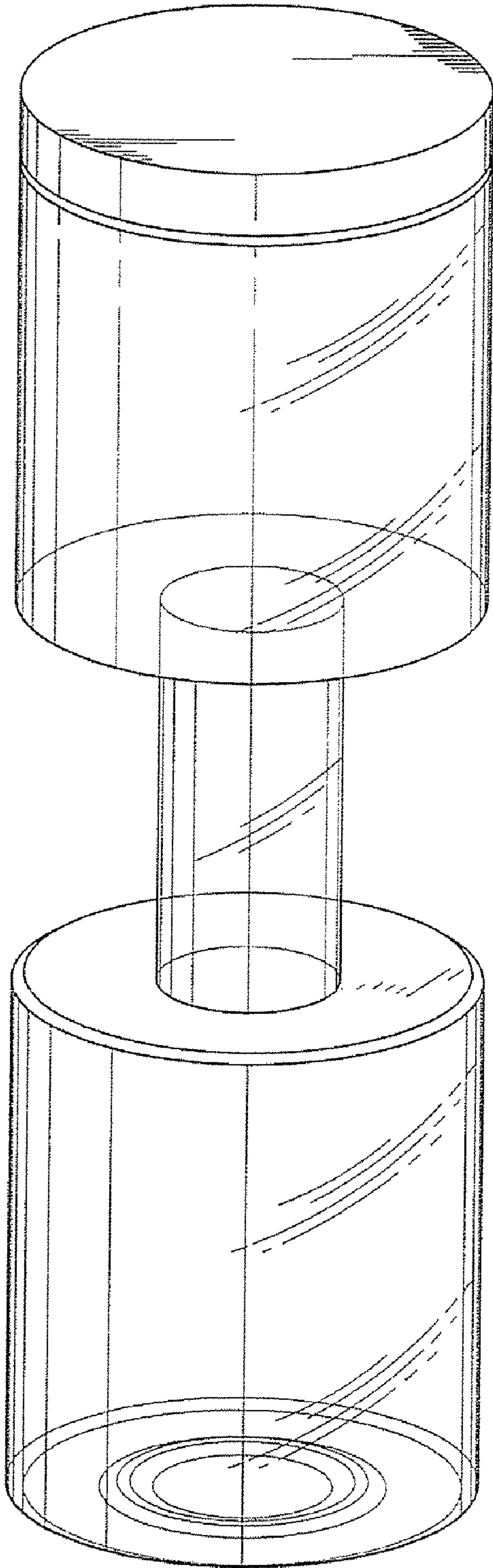


FIG. 3

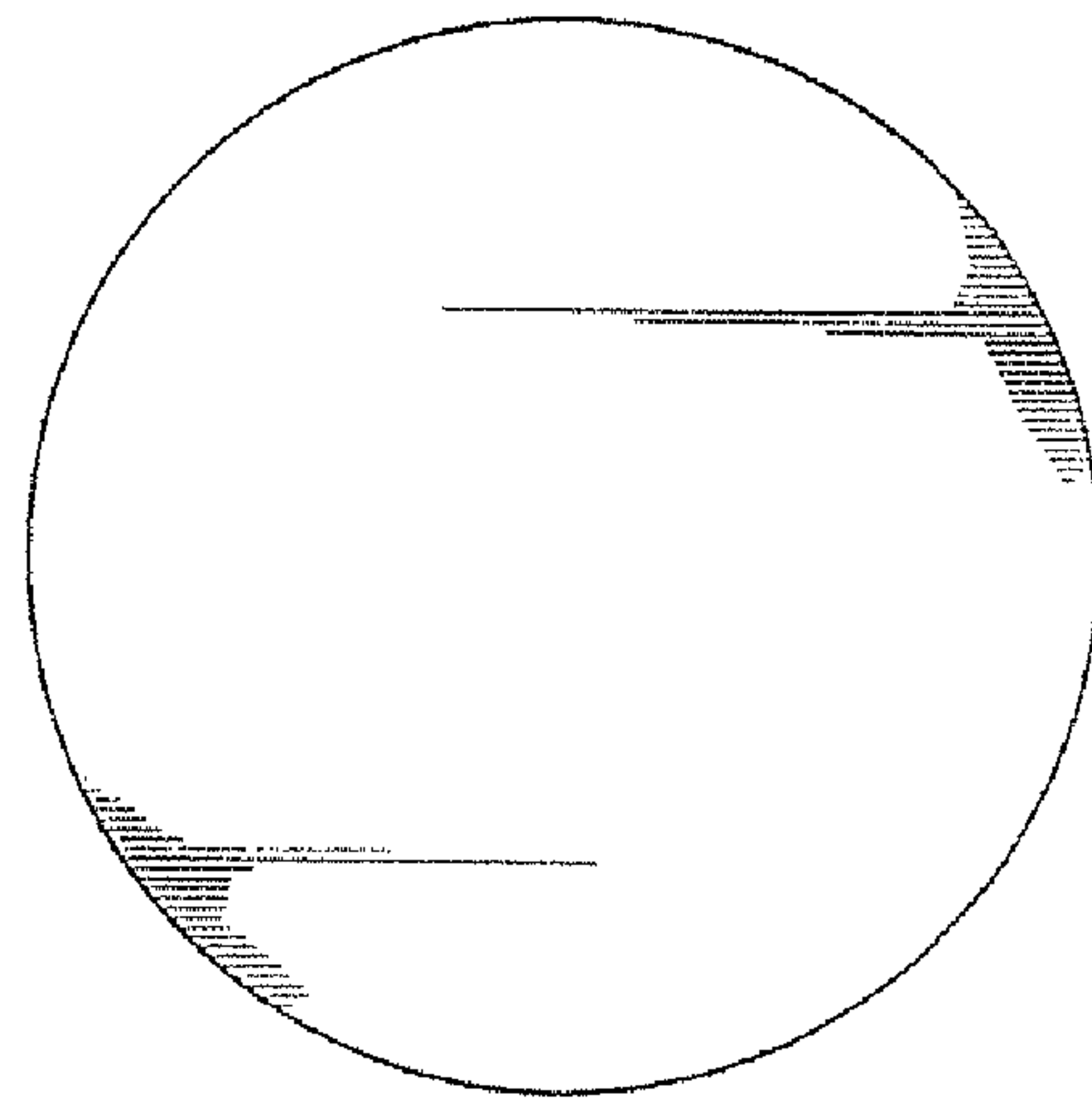


FIG. 4

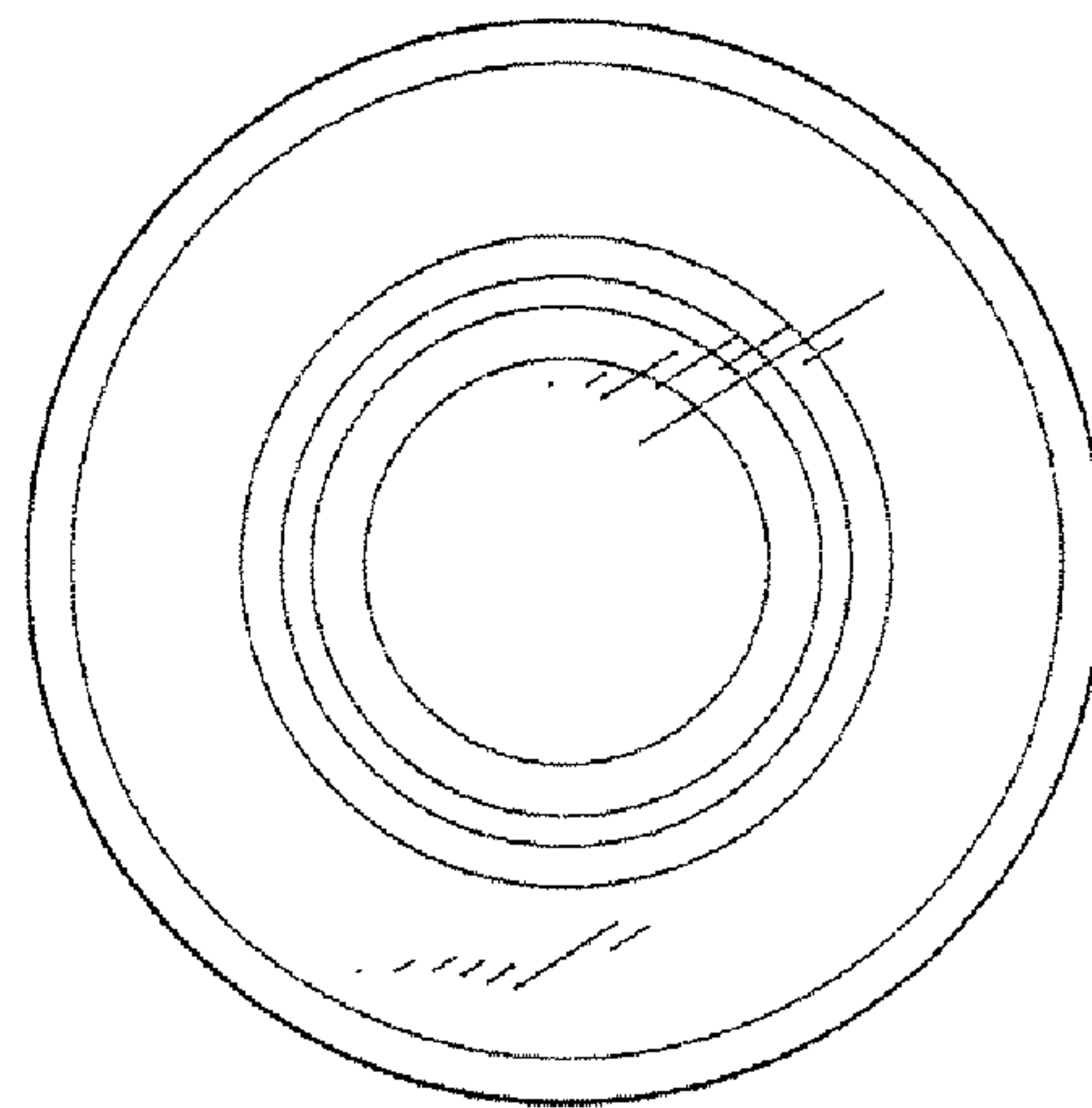




FIG. 5

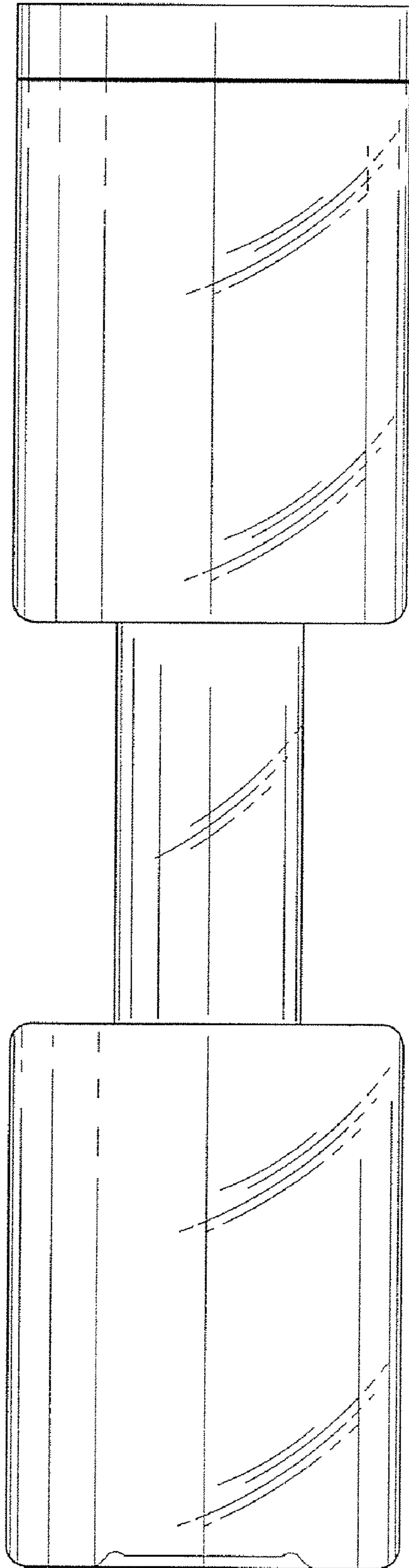


FIG. 6

