



US00D584152S

(12) **United States Design Patent**
VerWeyst et al.

(10) **Patent No.:** **US D584,152 S**
(45) **Date of Patent:** **** Jan. 6, 2009**

(54) **CONTAINER LID**

(75) Inventors: **Gordon E. VerWeyst**, Rockford, IL
(US); **Craig M. Ressler**, North Aurora,
IL (US)

(73) Assignee: **J.L. Clark, Inc.**, Rockford, IL (US)

(**) Term: **14 Years**

(21) Appl. No.: **29/308,224**

(22) Filed: **Jun. 4, 2008**

(51) **LOC (9) Cl.** **09-07**

(52) **U.S. Cl.** **D9/454**

(58) **Field of Classification Search** D9/455,
D9/453, 452, 445, 444, 443, 438, 436, 435,
D9/434; D7/624.3, 624.2, 622, 619.1, 608,
D7/607, 392.1; 220/903, 780; 215/352,
215/328, 256, 253, 252, 243, 237, 228, 223
See application file for complete search history.

(56) **References Cited**

U.S. PATENT DOCUMENTS

136,575	A	*	3/1873	Williams	220/780
1,374,389	A	*	4/1921	Reichenbach	220/780
D353,768	S	*	12/1994	Hayes	D9/435
D401,158	S		11/1998	Bakic		
D403,584	S		1/1999	Bakic		
D403,585	S		1/1999	Bakic et al.		
D403,586	S		1/1999	Bakic		
D411,747	S		6/1999	Kokenge et al.		
D411,800	S		7/1999	Kokenge et al.		
D419,881	S		2/2000	Kokenge et al.		
D424,943	S		5/2000	Kokenge et al.		
D457,433	S		5/2002	Costanzo et al.		

D462,269	S	*	9/2002	Hunter et al.	D9/435
D526,564	S	*	8/2006	Slavin et al.	D9/454
D536,614	S	*	2/2007	Peterson et al.	D9/454
D563,786	S	*	3/2008	Welk et al.	D9/454

* cited by examiner

Primary Examiner—Susan B Hattan

(74) *Attorney, Agent, or Firm*—Leydig, Voit & Mayer, Ltd.

(57) **CLAIM**

We claim the ornamental design for a container lid, as shown and described.

DESCRIPTION

FIG. 1 is a perspective view of a container lid;
 FIG. 2 is a top view thereof;
 FIG. 3 is a left side view thereof;
 FIG. 4 is a right side view thereof;
 FIG. 5 is a front view thereof;
 FIG. 6 is a rear view thereof;
 FIG. 7 is a perspective view of another embodiment of a container lid;
 FIG. 8 is a top view thereof;
 FIG. 9 is a left side view thereof;
 FIG. 10 is a right side view thereof;
 FIG. 11 is a front view thereof; and,
 FIG. 12 is a rear view thereof.

The portions shown in broken lines in the Figures depict environmental structure and do not form any part of the claimed design.

1 Claim, 6 Drawing Sheets

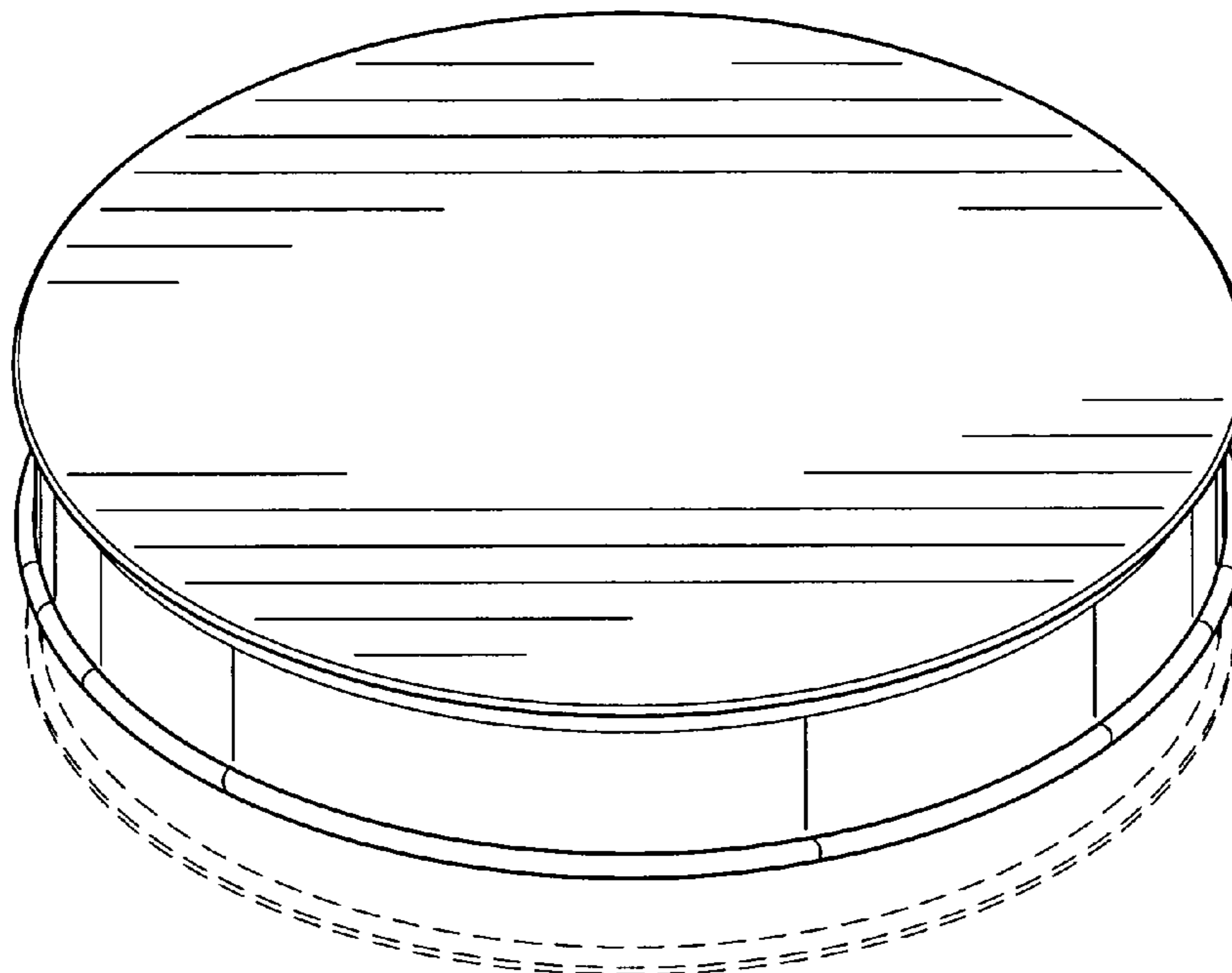


FIG. 1

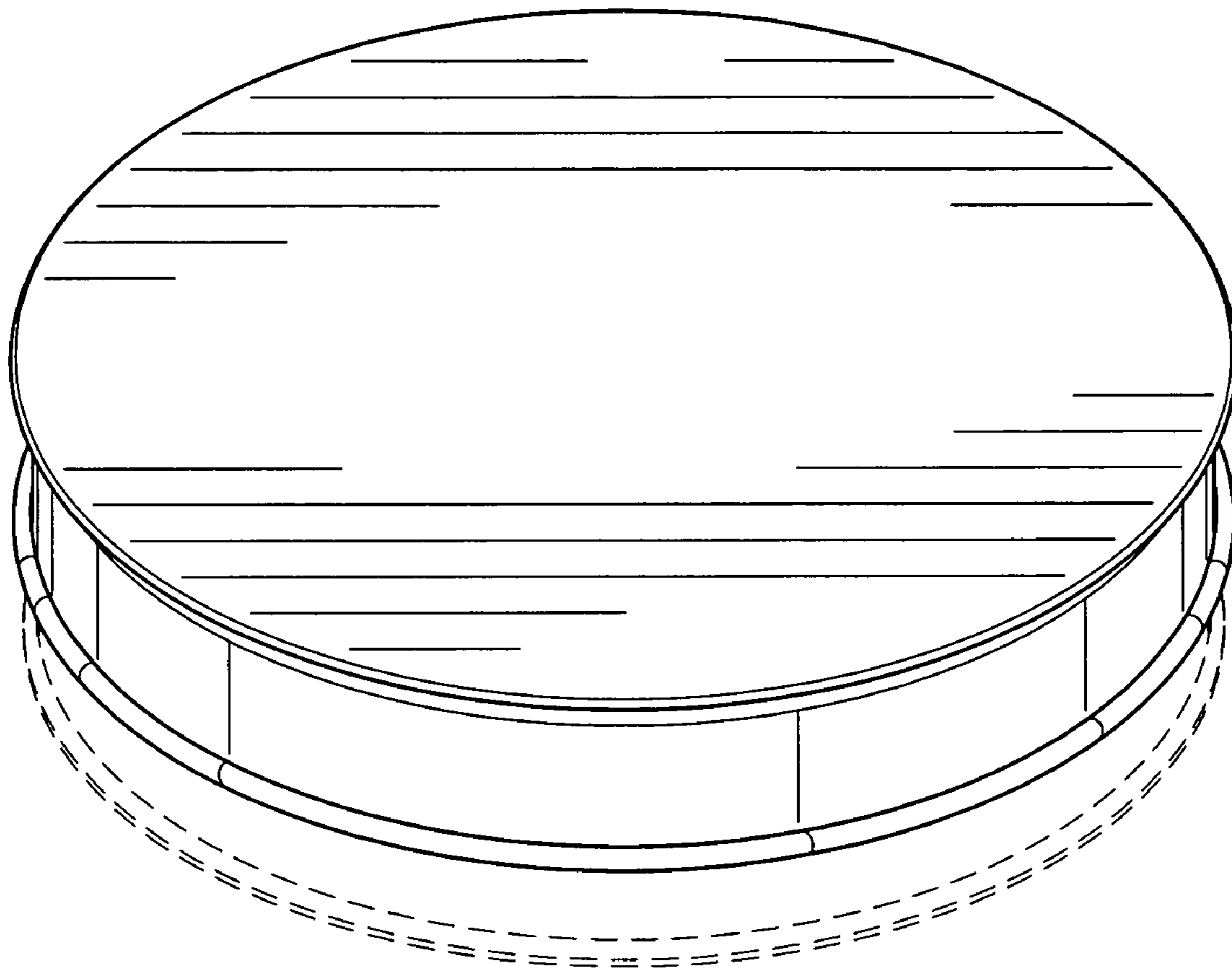


FIG. 4

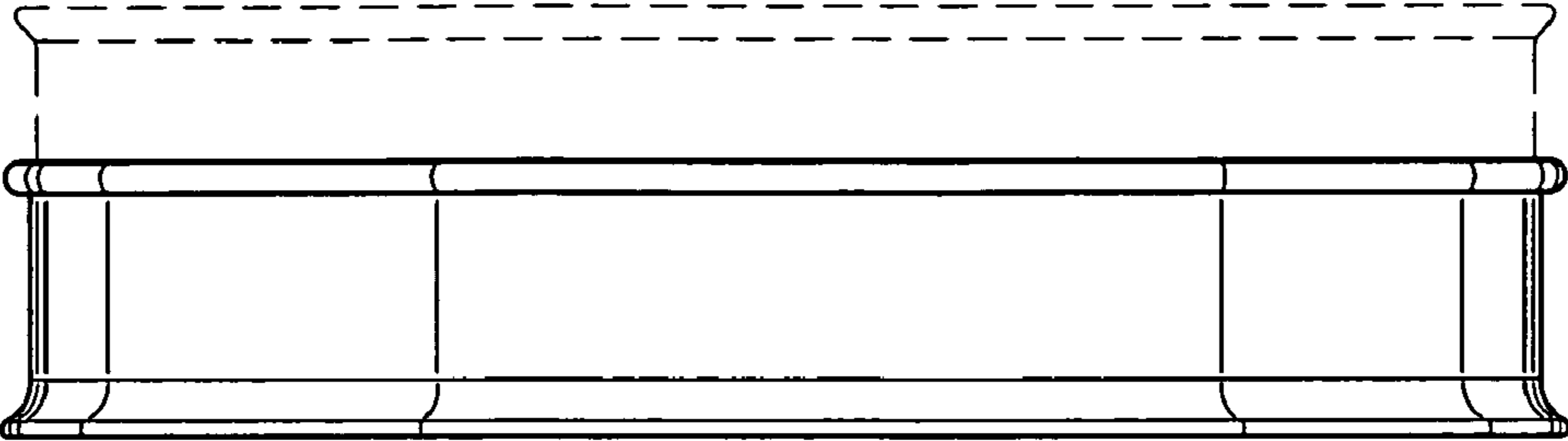


FIG. 2

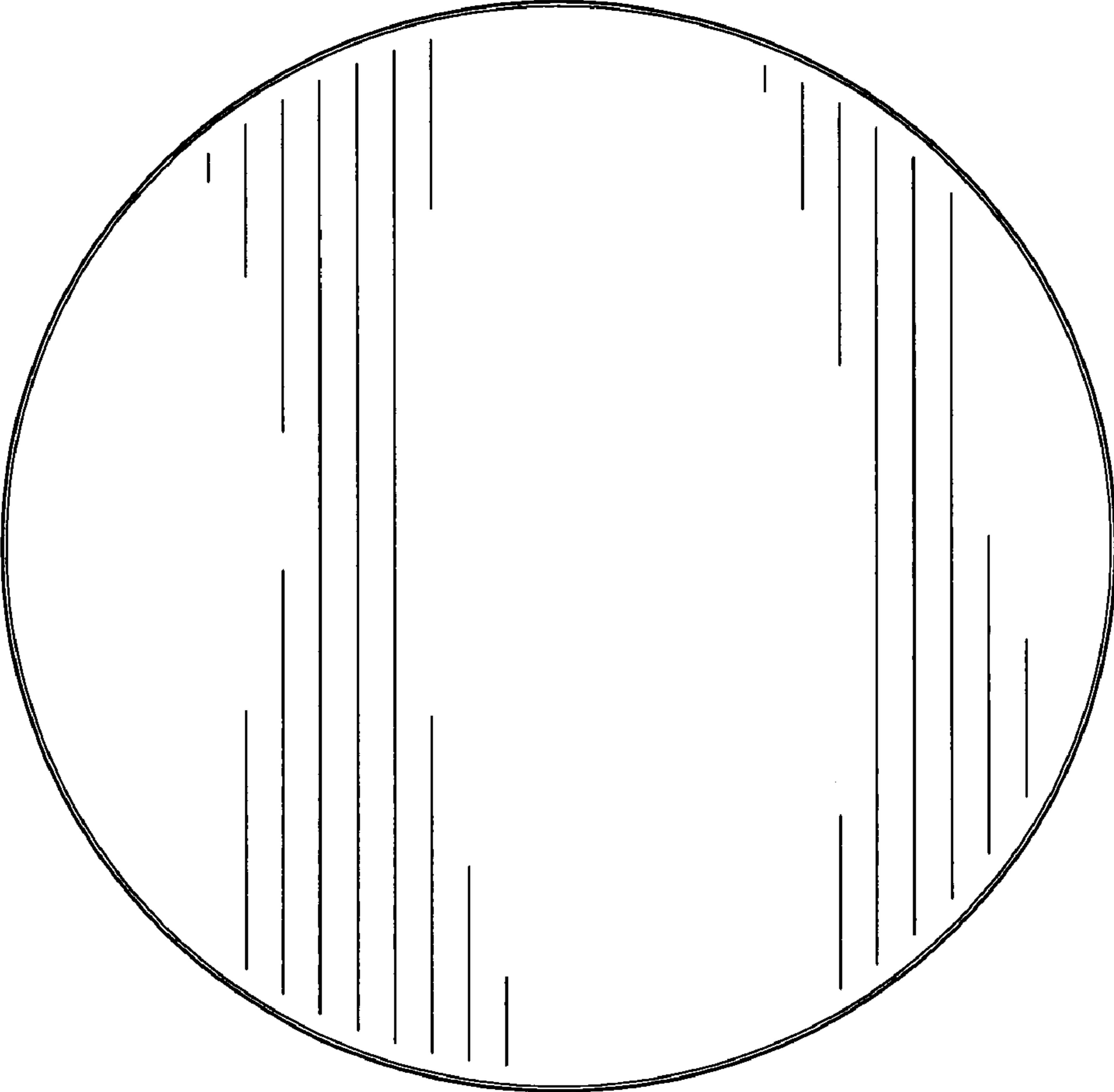


FIG. 3

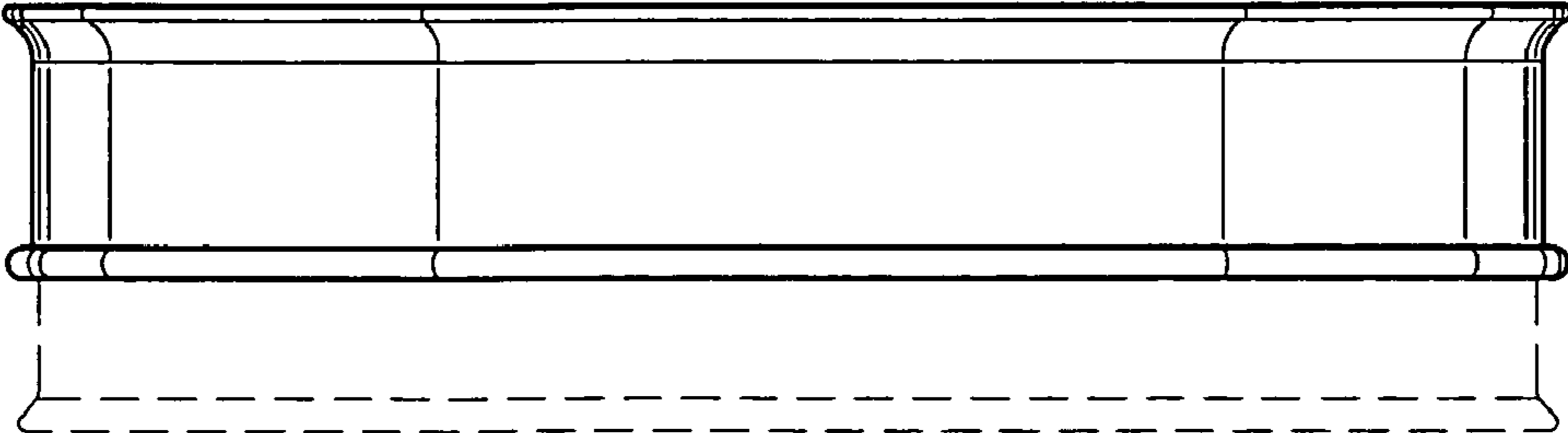


FIG. 6

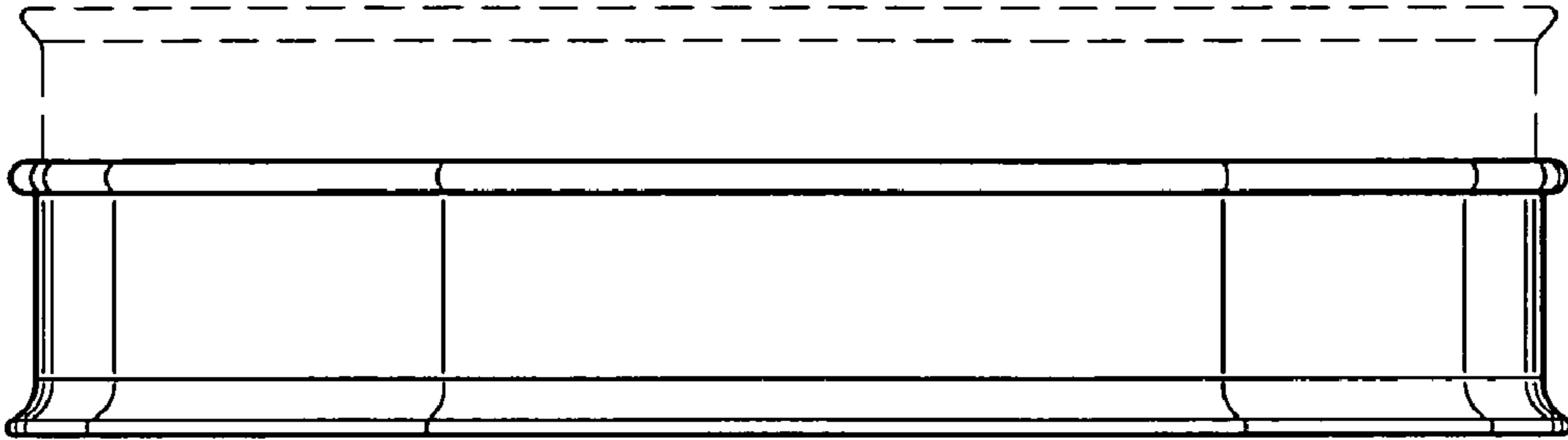


FIG. 5

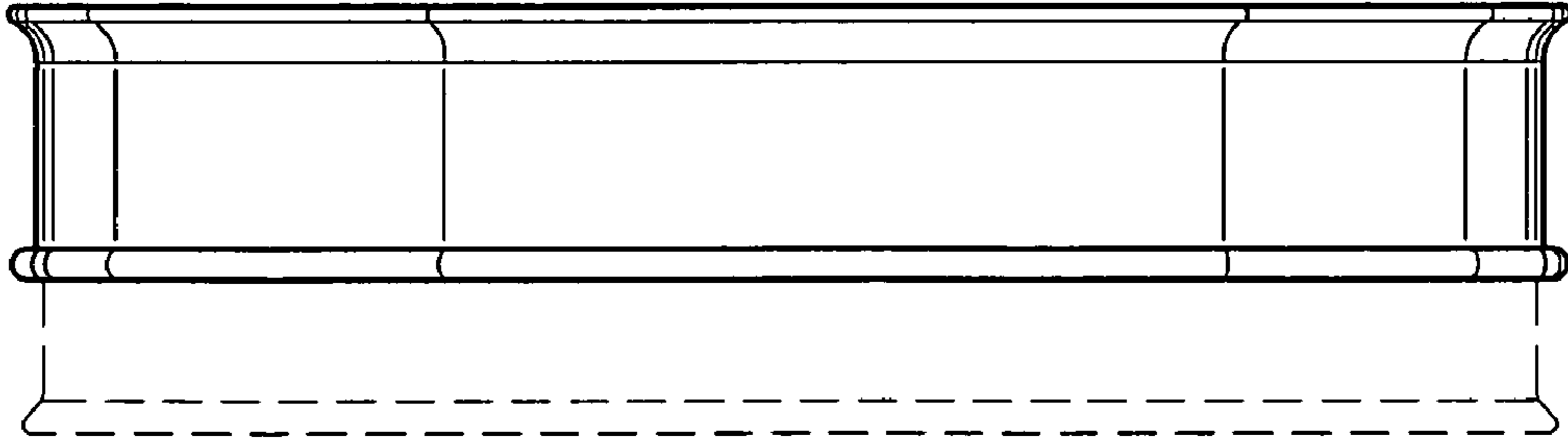


FIG. 7

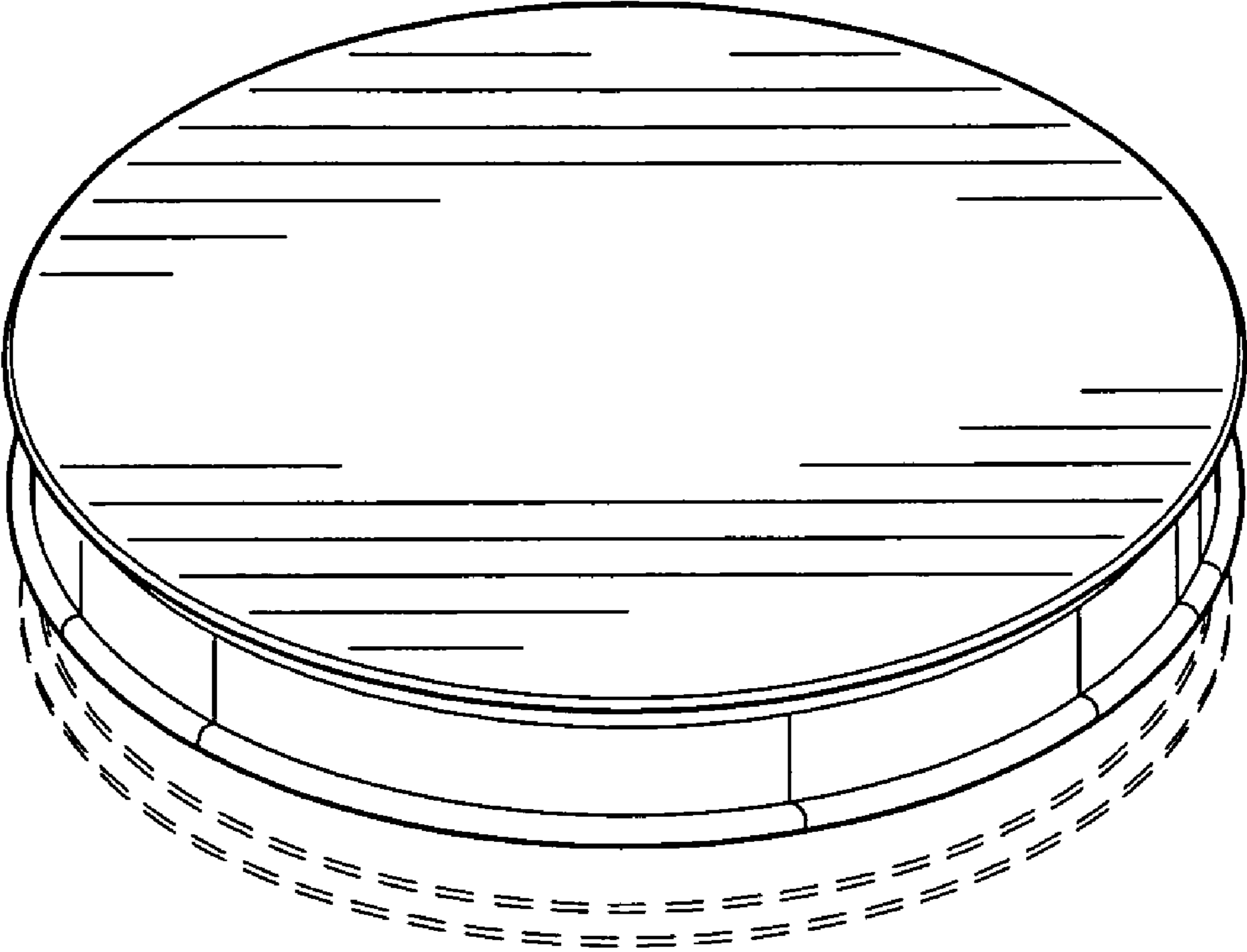


FIG. 10

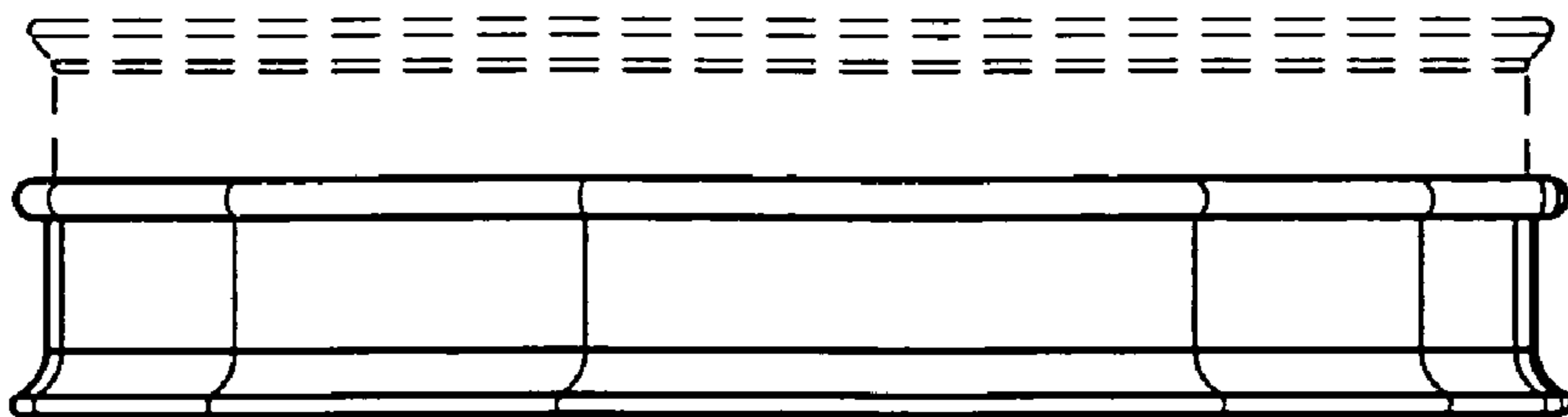


FIG. 8

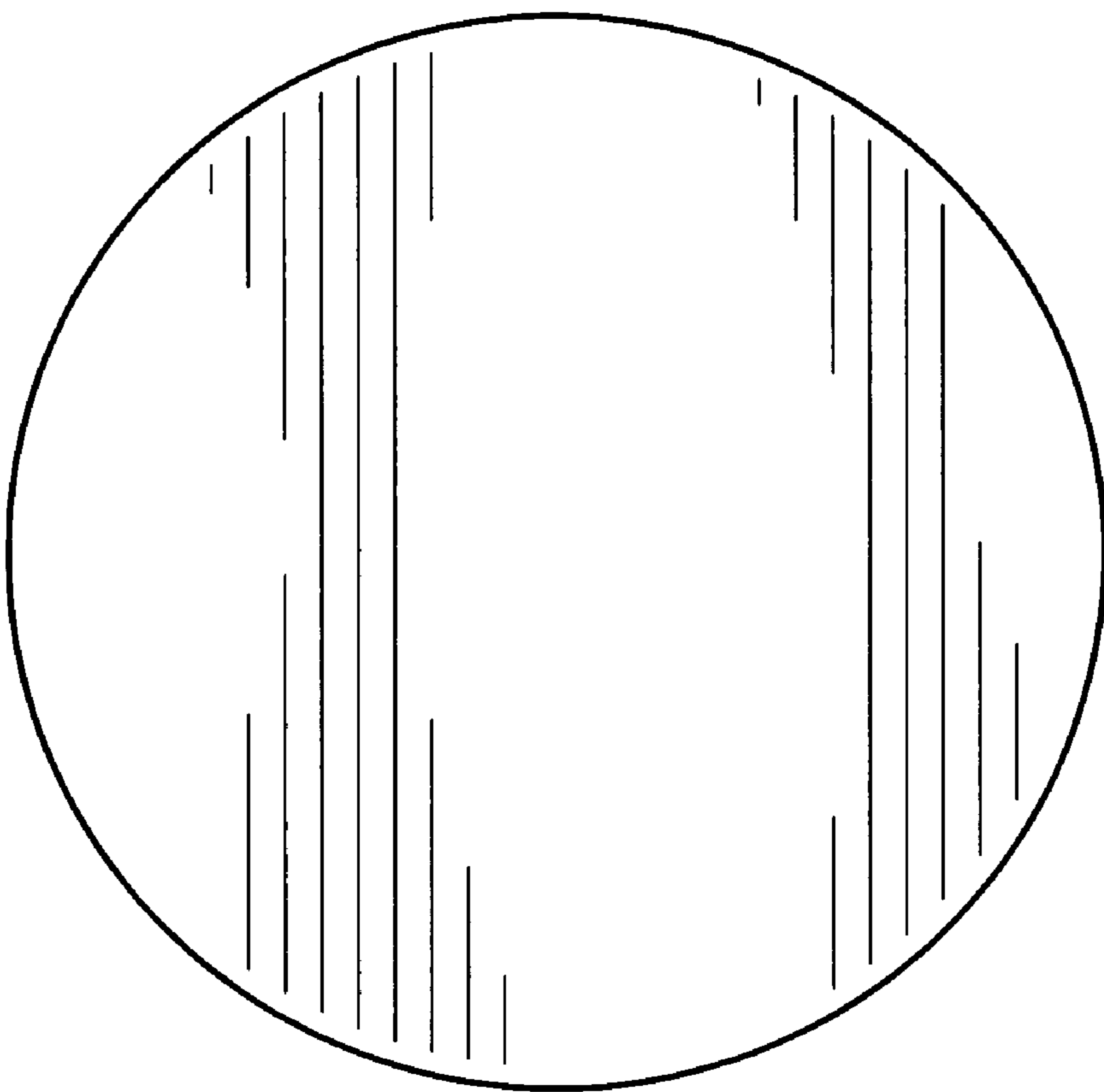


FIG. 9

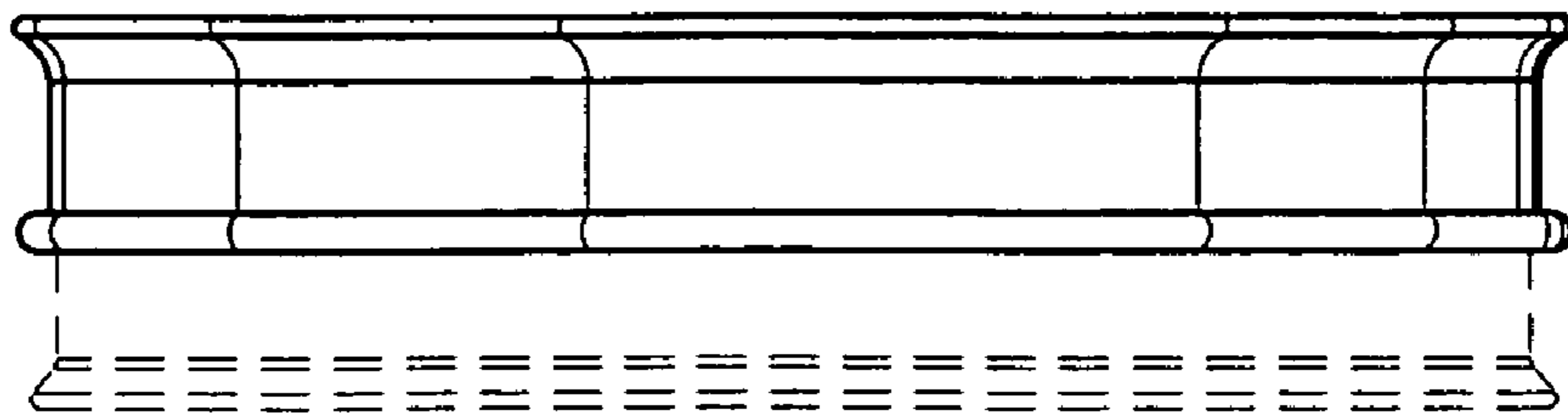


FIG. 12

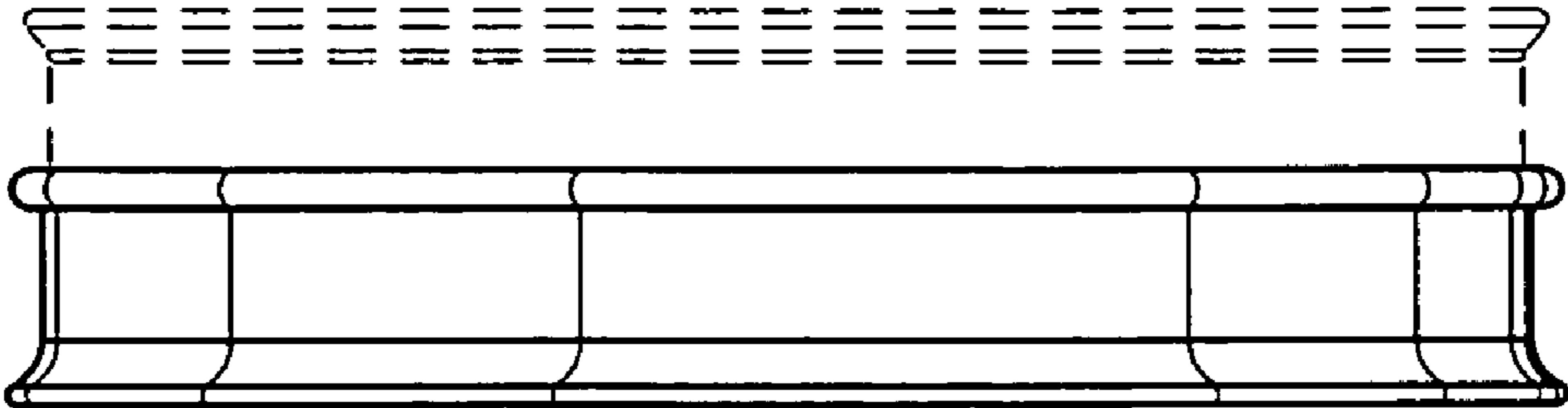


FIG. 11

