



US00D584148S

(12) **United States Design Patent**
Stolle

(10) **Patent No.:** **US D584,148 S**
(45) **Date of Patent:** **** Jan. 6, 2009**

(54) **CLOSURE ELEMENT**

(75) Inventor: **Jens Stolle**, Crailsheim (DE)
(73) Assignee: **SHB GmbH**, Crailsheim (DE)
(**) Term: **14 Years**

(21) Appl. No.: **29/299,792**

(22) Filed: **Jan. 4, 2008**

(30) **Foreign Application Priority Data**

Aug. 28, 2007 (EM) 000780416-0013

(51) **LOC (9) Cl.** **09-07**
(52) **U.S. Cl.** **D9/449**
(58) **Field of Classification Search** D9/453,
D9/450, 449, 446, 438, 574, 529; 222/571,
222/567, 566, 545, 544, 484, 481.5, 480;
220/810; 215/556, 235; D28/82
See application file for complete search history.

(56) **References Cited**

U.S. PATENT DOCUMENTS

6,321,923 B1 * 11/2001 Wood 215/235
D459,996 S * 7/2002 Kuzma et al. D9/574
D504,611 S * 5/2005 Bakic D9/446
D513,987 S * 1/2006 Bansal D9/449
D528,005 S * 9/2006 Bakic D9/529

D529,388 S * 10/2006 Bakic D9/529
D529,393 S * 10/2006 Bakic D9/574
D529,812 S * 10/2006 Ratzlaff D9/449
D539,144 S * 3/2007 Penfold et al. D9/449
2005/0173366 A1 * 8/2005 Baudin 215/235
2006/0006129 A1 * 1/2006 Baudin 215/235
2006/0249473 A1 * 11/2006 Kunz 215/235
2008/0093327 A1 * 4/2008 Stolle 215/235

* cited by examiner

Primary Examiner—Susan Bennett Hattan

(74) *Attorney, Agent, or Firm*—Laurence A. Greenberg;
Werner H. Stemer; Ralph E. Locher

(57) **CLAIM**

I claim the ornamental design for a closure element, as shown and described.

DESCRIPTION

FIG. 1 is a front, top perspective view of the closure element, showing my new design in an open position;

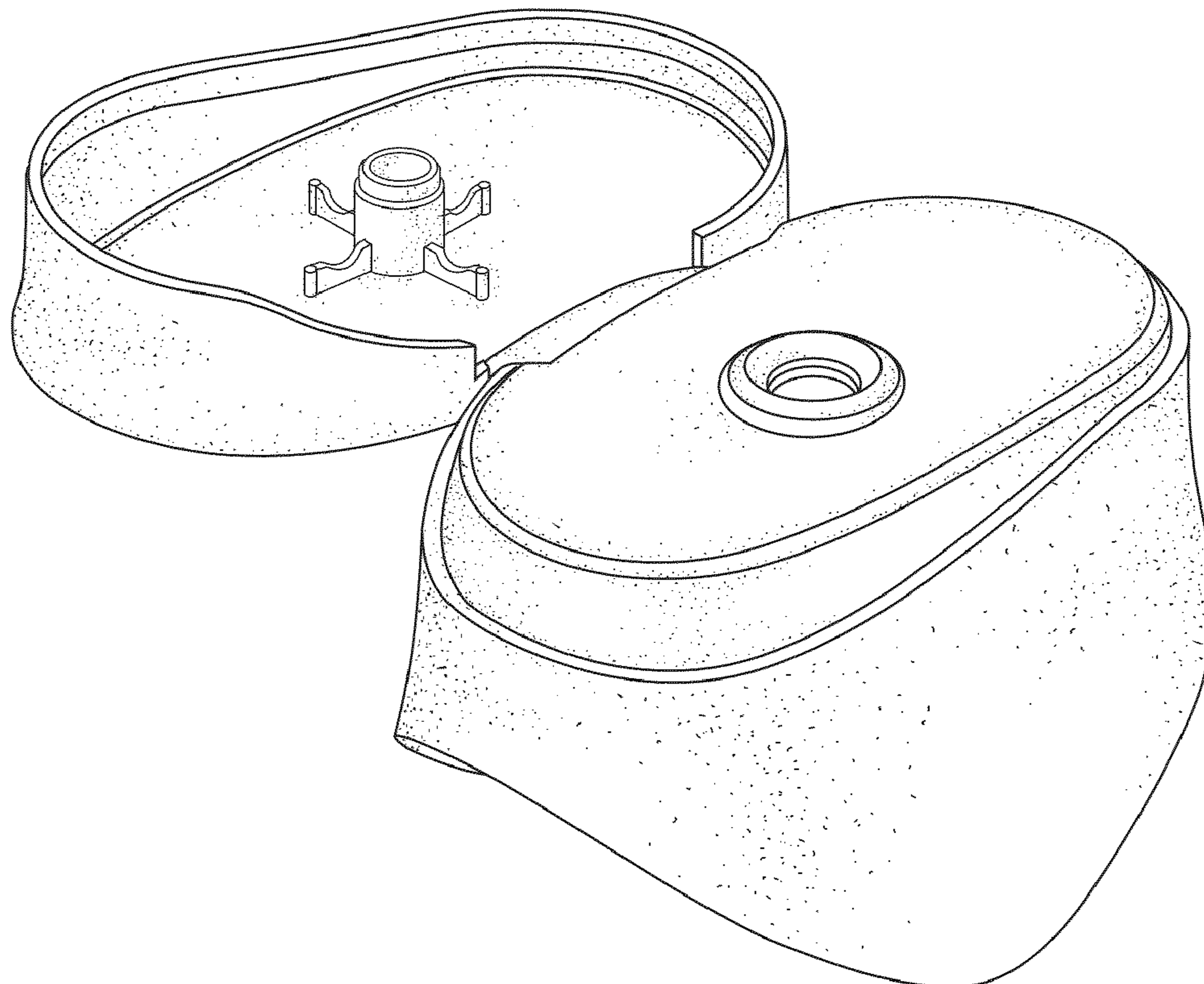
FIG. 2 is a front, top perspective view thereof in a closed position;

FIG. 3 is a front elevational view thereof;

FIG. 4 is a left-side elevational view thereof, the right-side elevational view being a mirror image thereof; and,

FIG. 5 is a rear elevational view thereof.

1 Claim, 2 Drawing Sheets



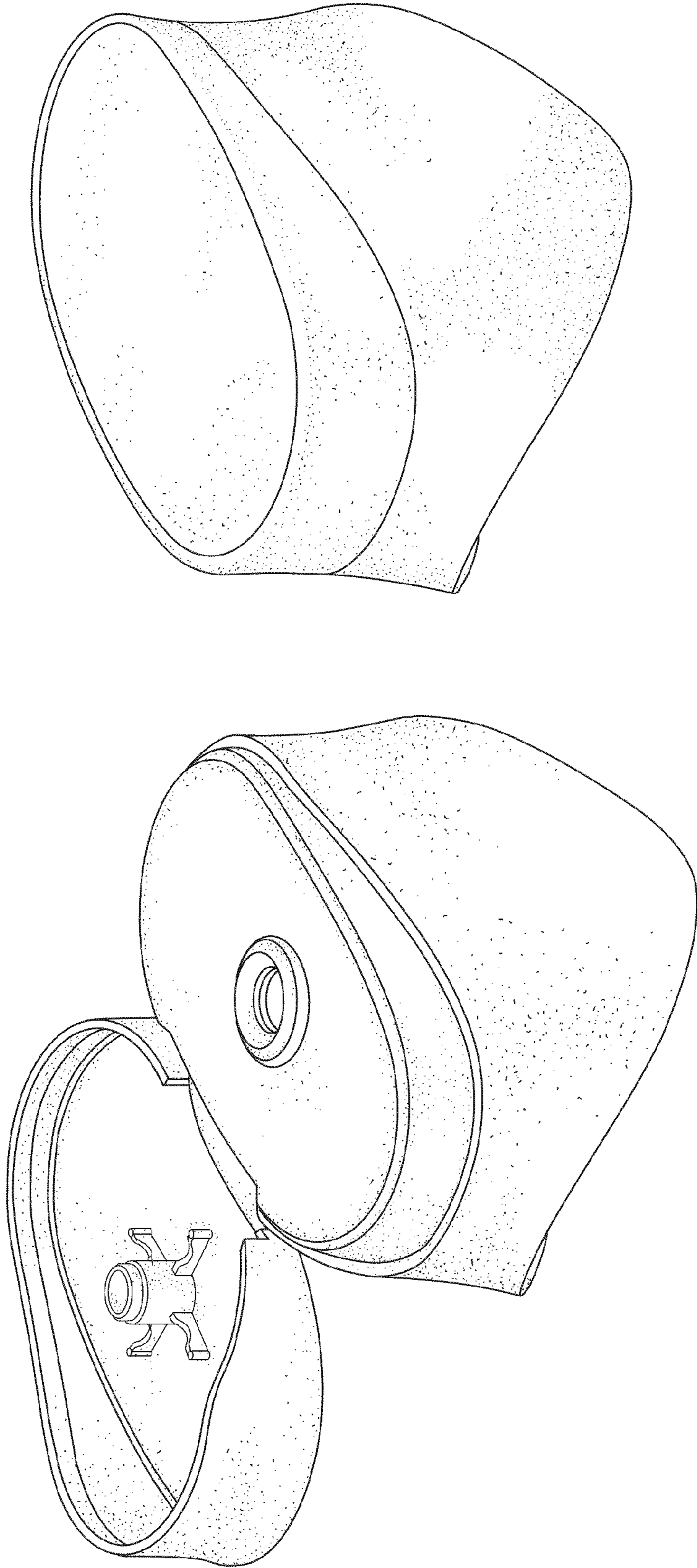


FIG. 2

FIG. 1

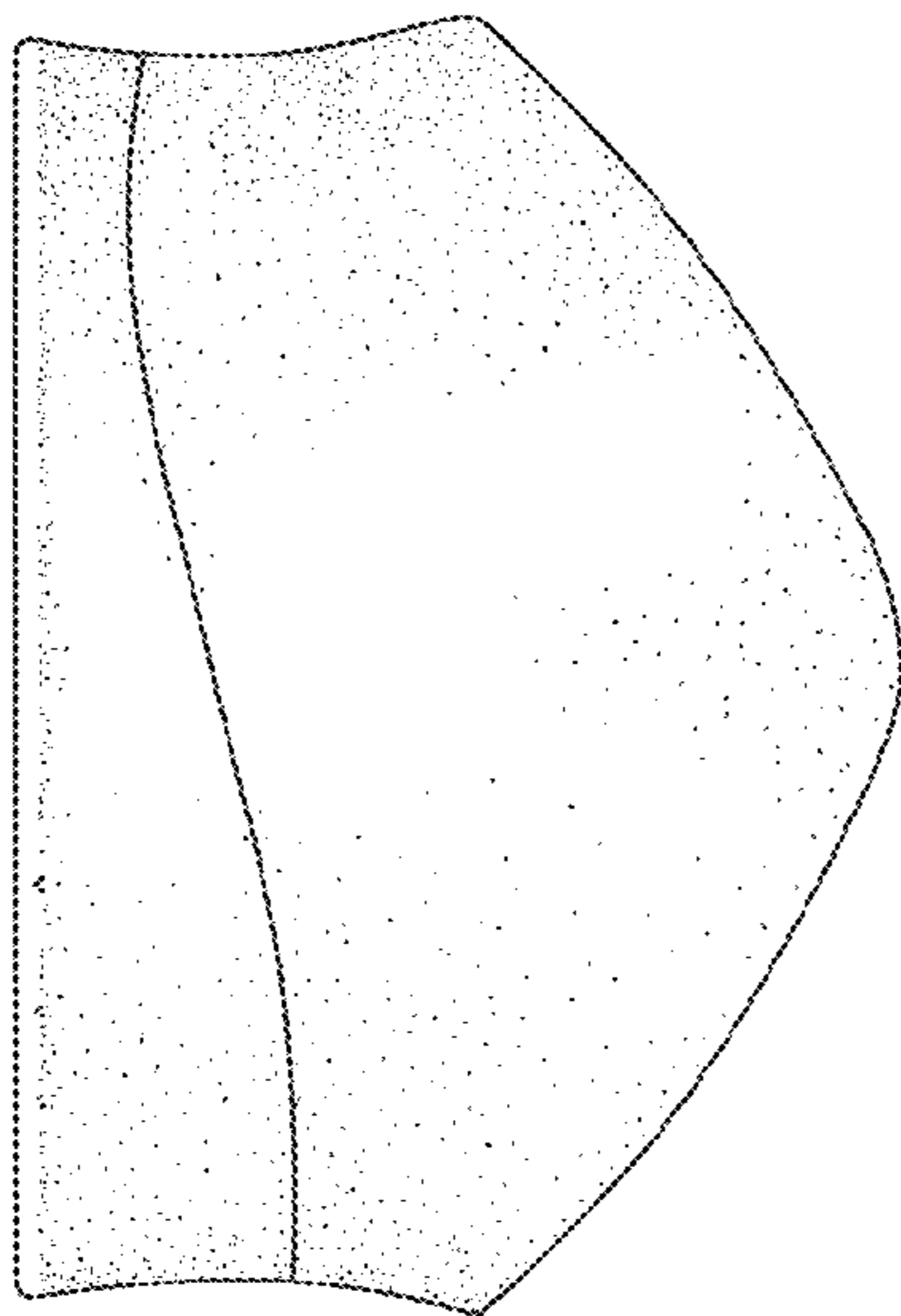


FIG. 3

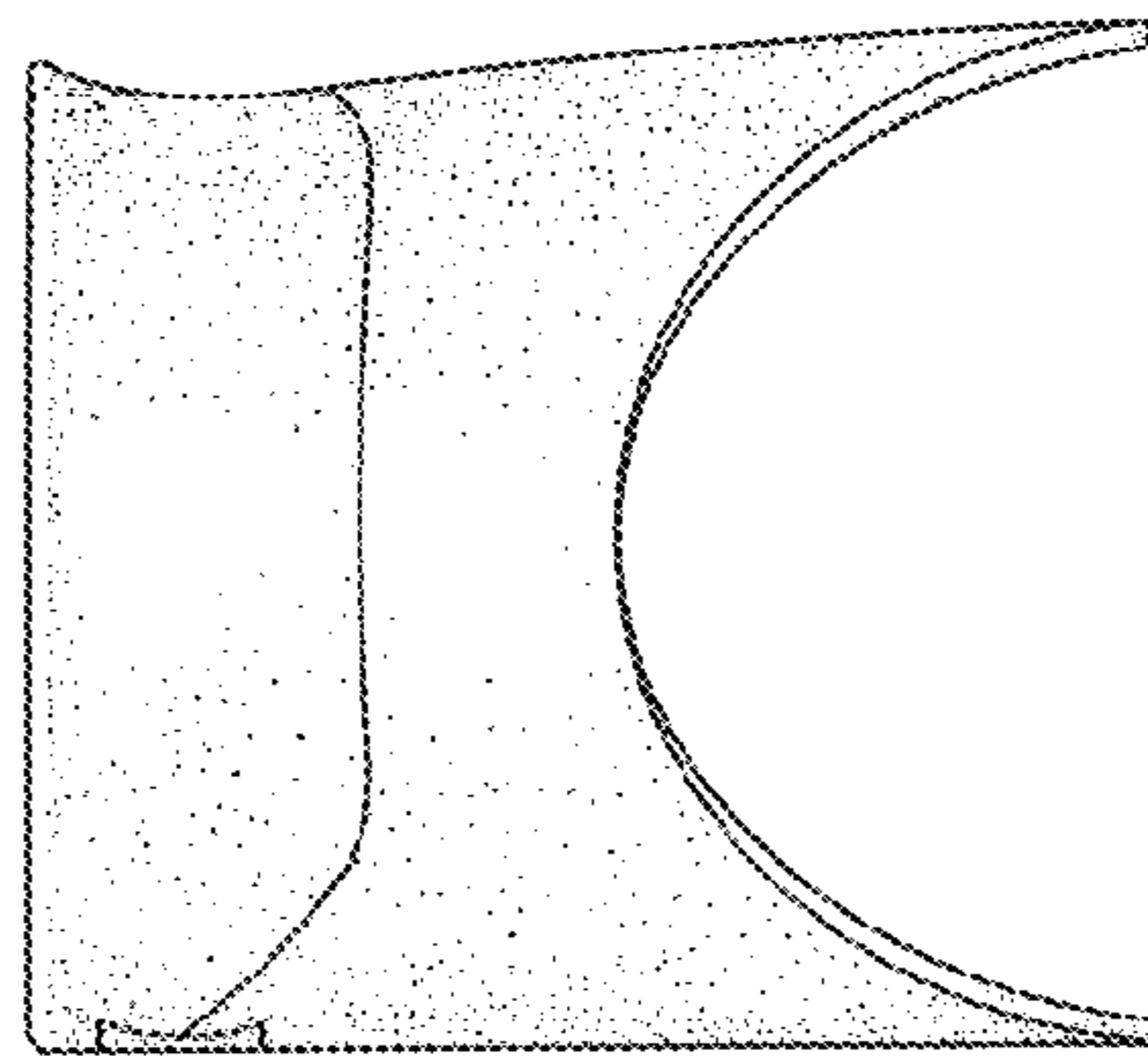


FIG. 4

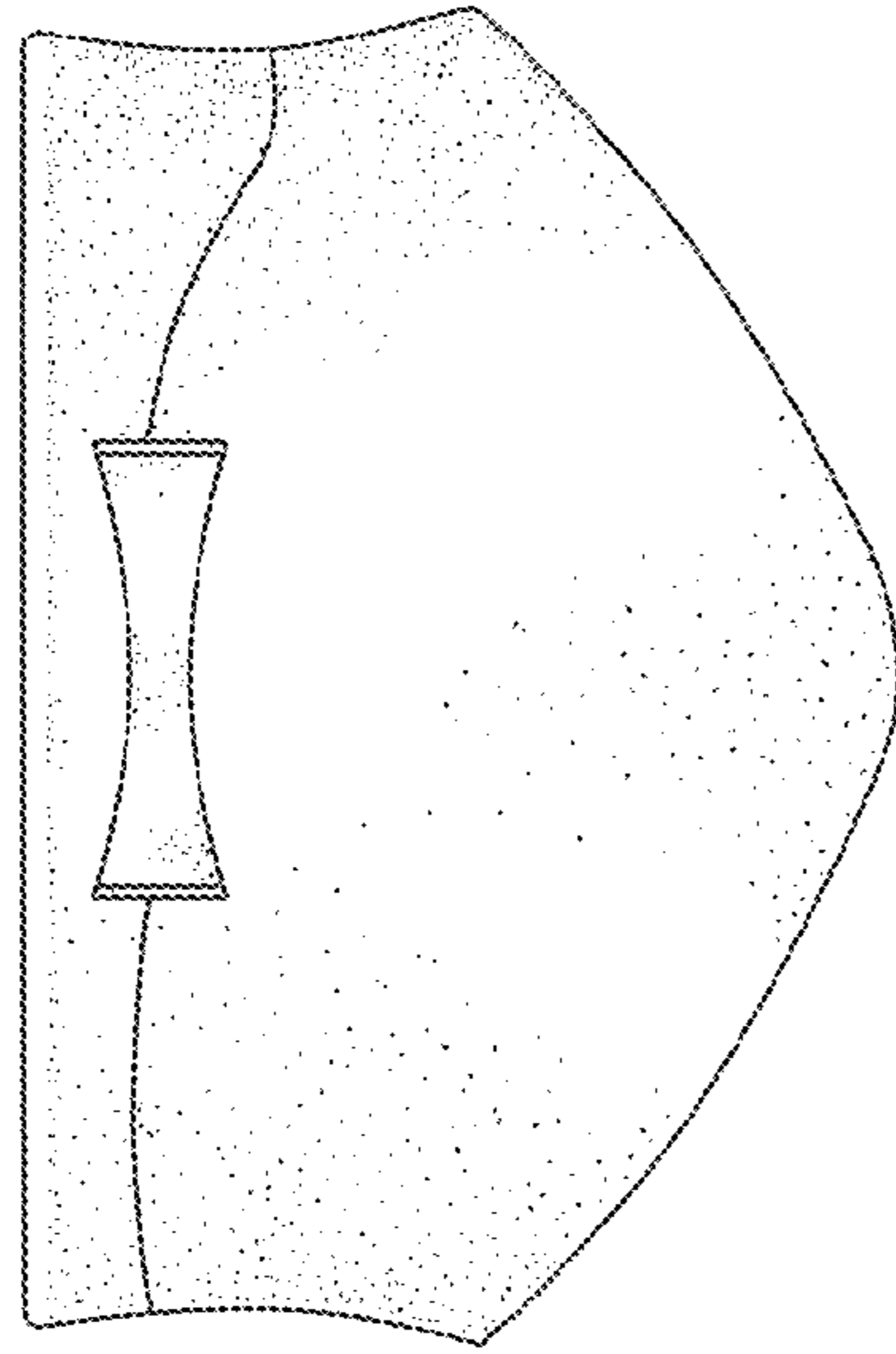


FIG. 5