



US00D584147S

(12) **United States Design Patent**
Lown et al.

(10) **Patent No.:** **US D584,147 S**
(45) **Date of Patent:** **** Jan. 6, 2009**

(54) **CAN COVER**

(75) Inventors: **Aaron Lown**, Tuxedo, NY (US); **John Roscoe Swartz**, Ridgewood, NJ (US)

(73) Assignee: **Built NY**, New York, NY (US)

(**) Term: **14 Years**

(21) Appl. No.: **29/304,550**

(22) Filed: **Mar. 4, 2008**

(51) **LOC (9) Cl.** **09-07**

(52) **U.S. Cl.** **D9/444; D7/619.1; D3/202**

(58) **Field of Classification Search** D9/455,
D9/453, 452, 445, 444, 443, 438, 436, 435,
D9/434; D7/624.3, 624.2, 622, 619.1, 608,
D7/607, 392.1, 629, 553.6, 391; 220/903,
220/780; 215/352, 328, 256, 253, 252, 243,
215/237, 228, 223; D3/202

See application file for complete search history.

(56) **References Cited**

U.S. PATENT DOCUMENTS

3,738,529	A *	6/1973	Rose	220/903
D266,048	S *	9/1982	Zills	220/903
4,401,245	A *	8/1983	Zills	220/903
4,514,995	A *	5/1985	Curtis et al.	220/903
4,796,937	A *	1/1989	Andrea	220/903
5,251,460	A *	10/1993	DeMarco et al.	220/903
D388,663	S *	1/1998	Rausch	D7/624.3
D398,195	S *	9/1998	Rausch	D7/624.3

5,927,524	A *	7/1999	Miller	220/903
D432,873	S *	10/2000	Fair	D7/624.3
6,164,487	A *	12/2000	Hicks	220/903
D476,858	S *	7/2003	Slater et al.	D7/608
6,655,543	B2 *	12/2003	Beuke	220/903
D538,113	S *	3/2007	Maxey	D7/624.2
D540,125	S *	4/2007	Hicks	D7/624.2
D541,596	S *	5/2007	Hicks	D7/624.2
D543,790	S *	6/2007	Szymanski	D7/607
D567,031	S *	4/2008	Zacharias et al.	D7/624.3

* cited by examiner

Primary Examiner—Susan B Hattan

(74) *Attorney, Agent, or Firm*—Fish & Richardson P.C.

(57) **CLAIM**

The ornamental design for a can cover, substantially as shown and described.

DESCRIPTION

FIG. 1 is a front perspective view of a can cover, the broken line showing of a can depicting environmental subject matter only and forming no part of the claimed design.

FIG. 2 is a front view of the can cover.

FIG. 3 is a back view of the can cover.

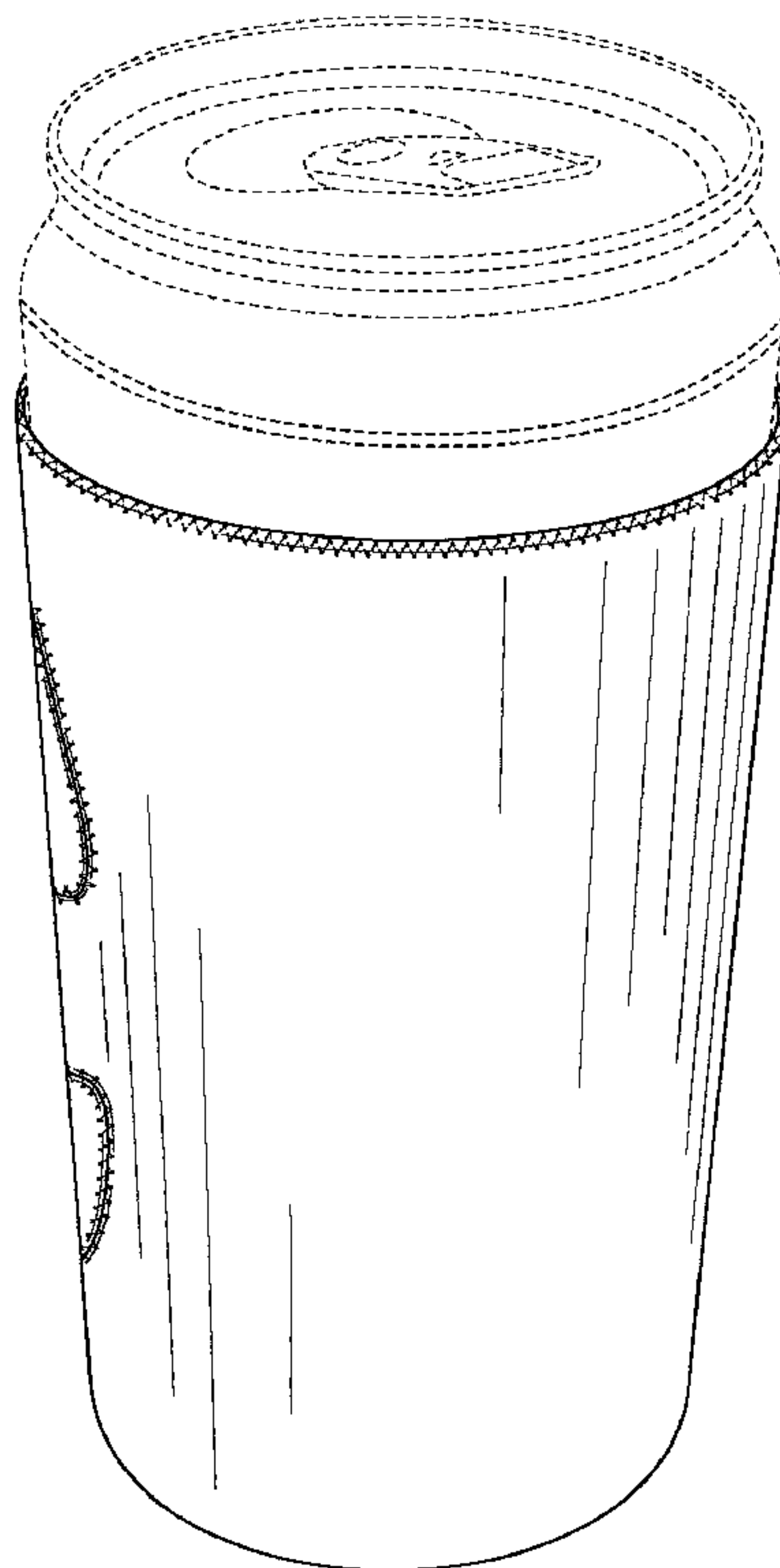
FIG. 4 is a left view of the can cover.

FIG. 5 is a right view of the can cover.

FIG. 6 is a top view of the can cover; and,

FIG. 7 is a bottom view of the can cover.

1 Claim, 4 Drawing Sheets



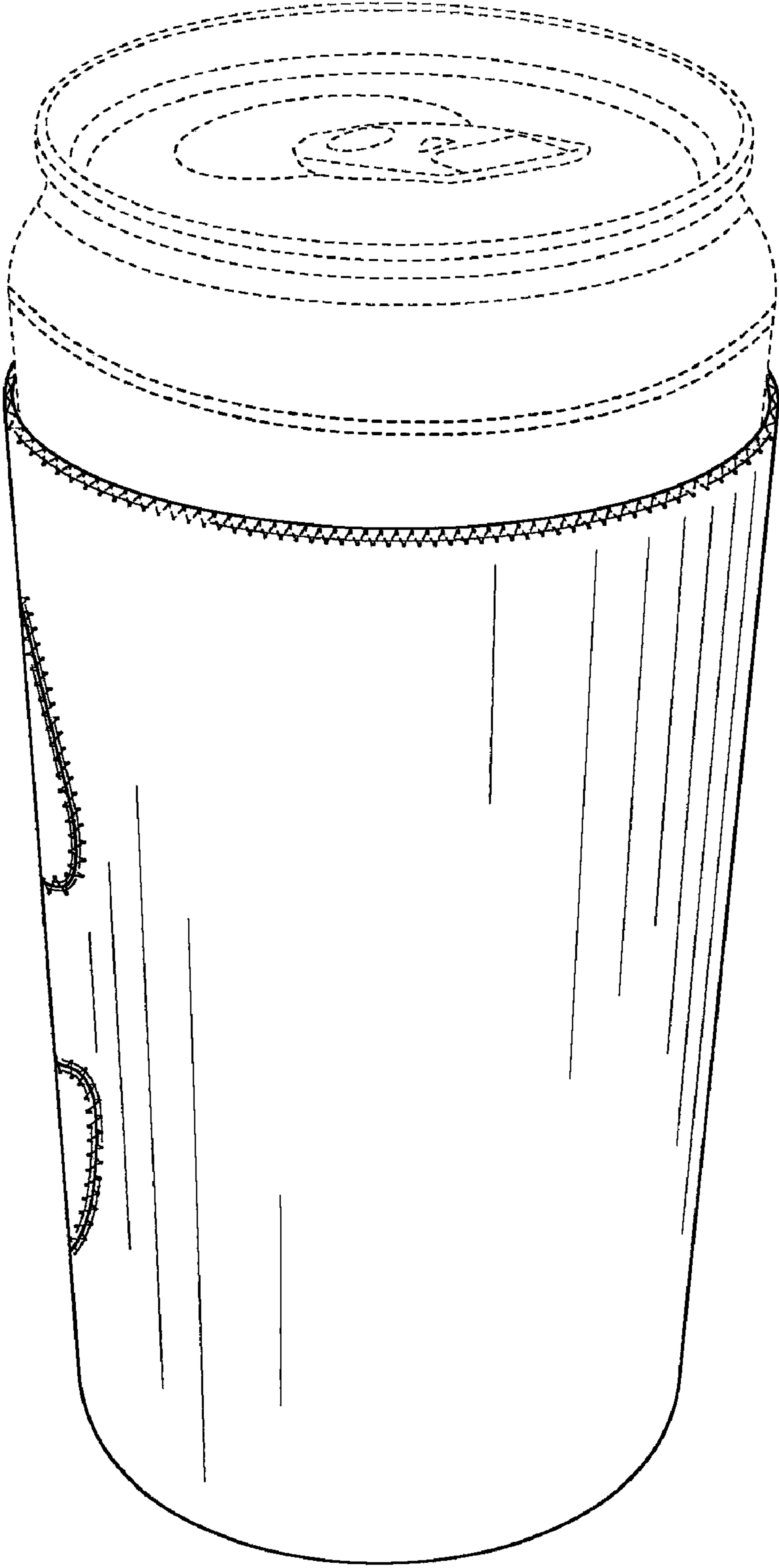


FIG. 1

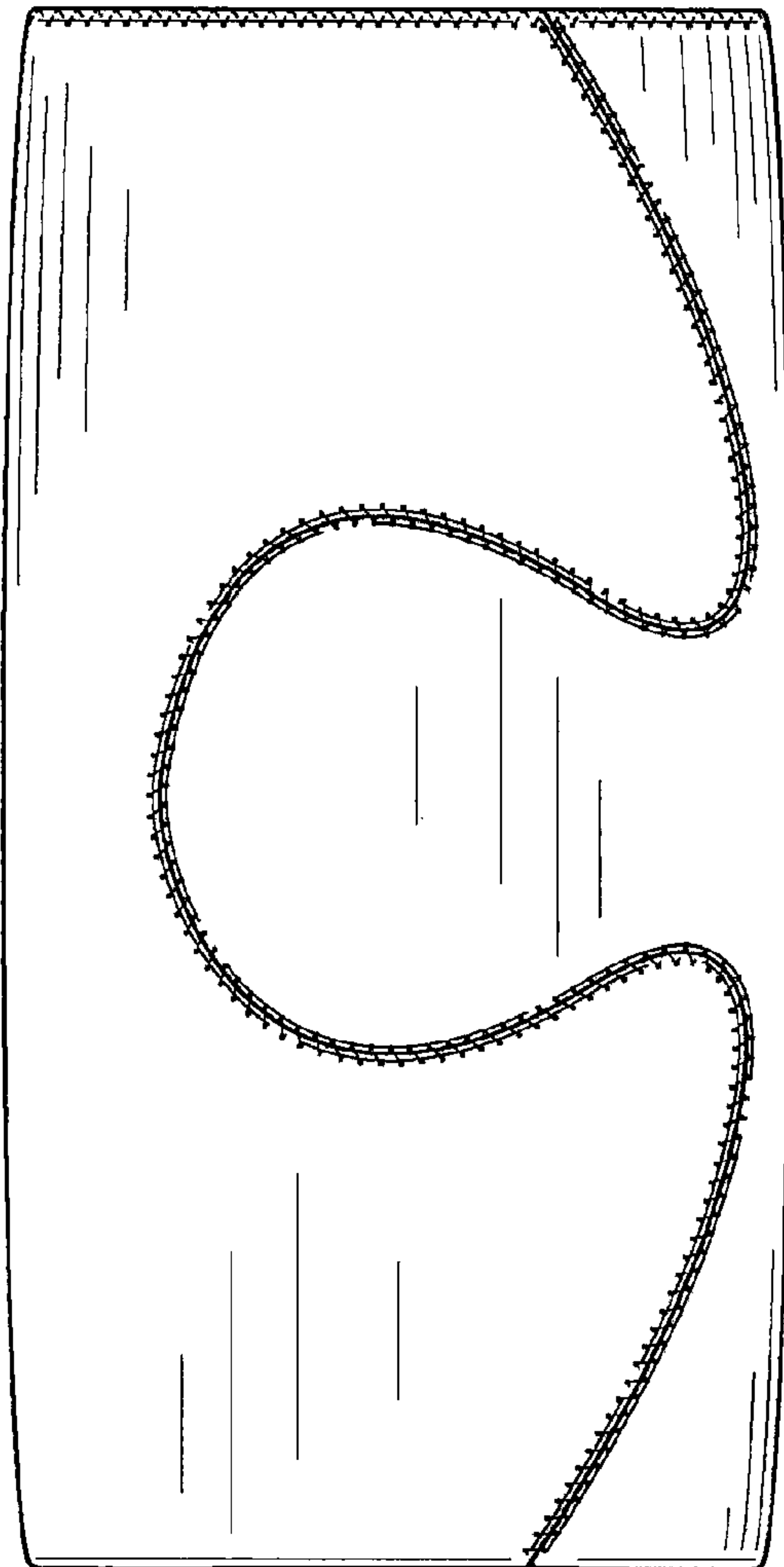


FIG. 2

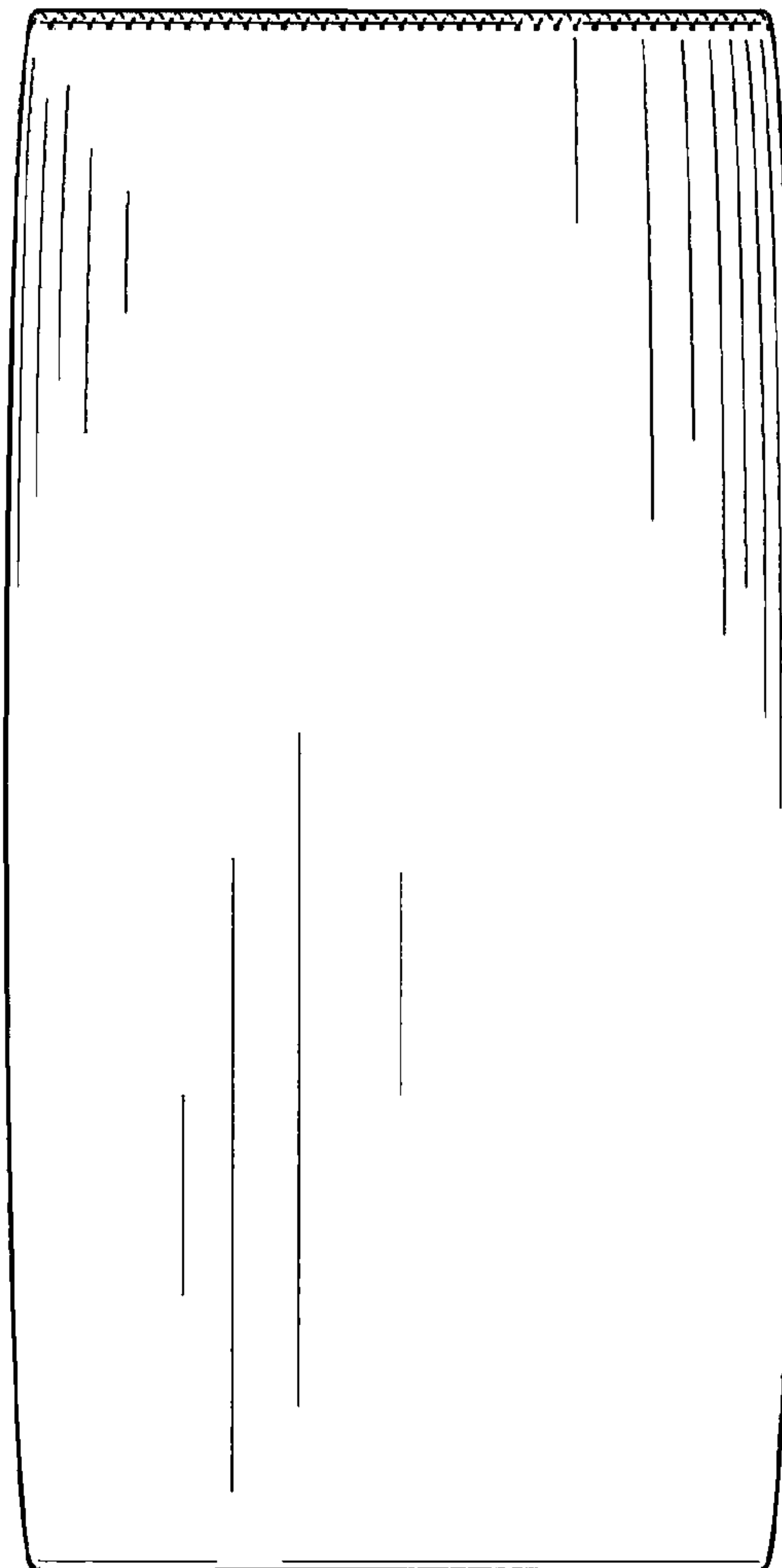


FIG. 3

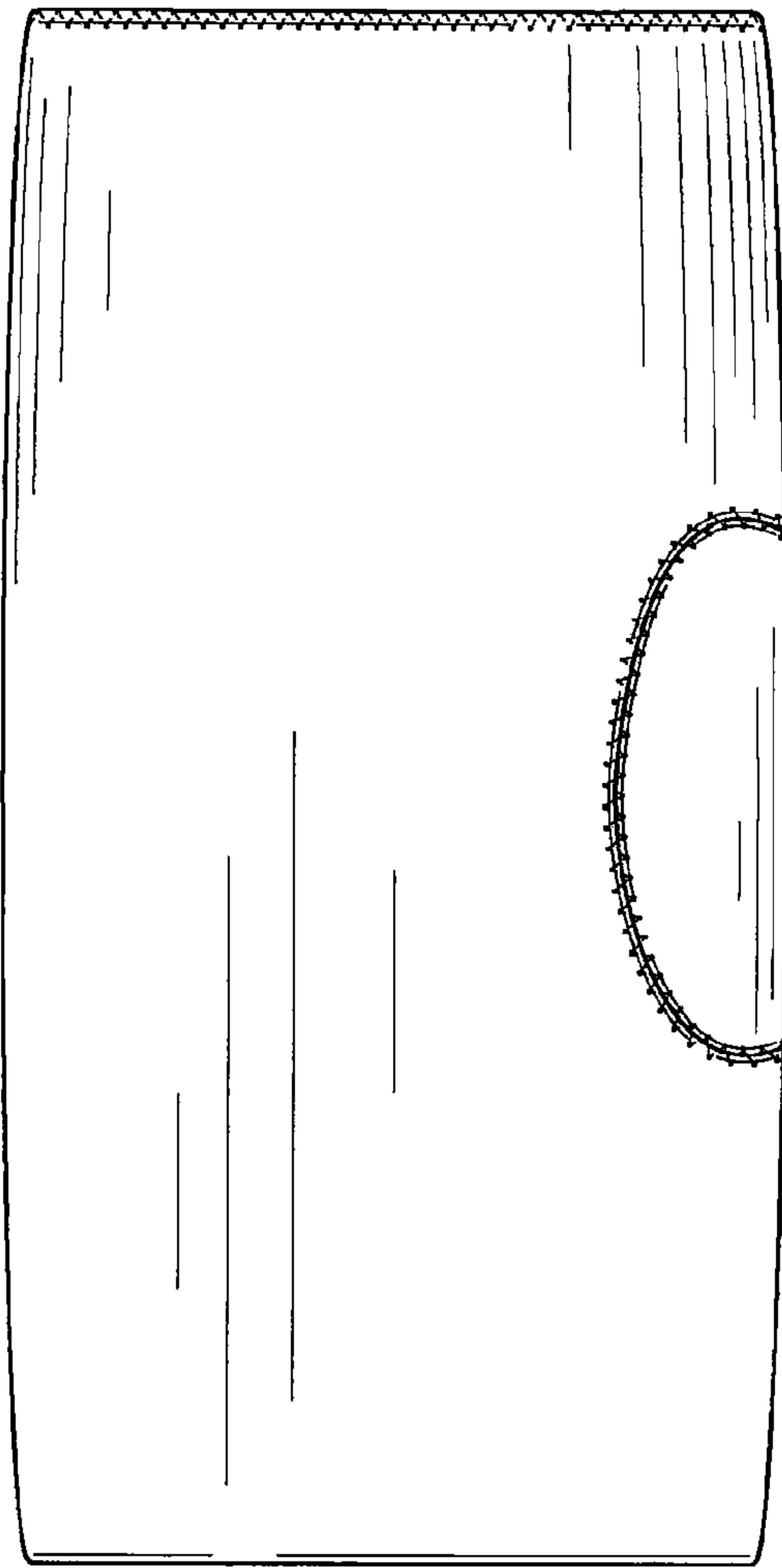


FIG. 4

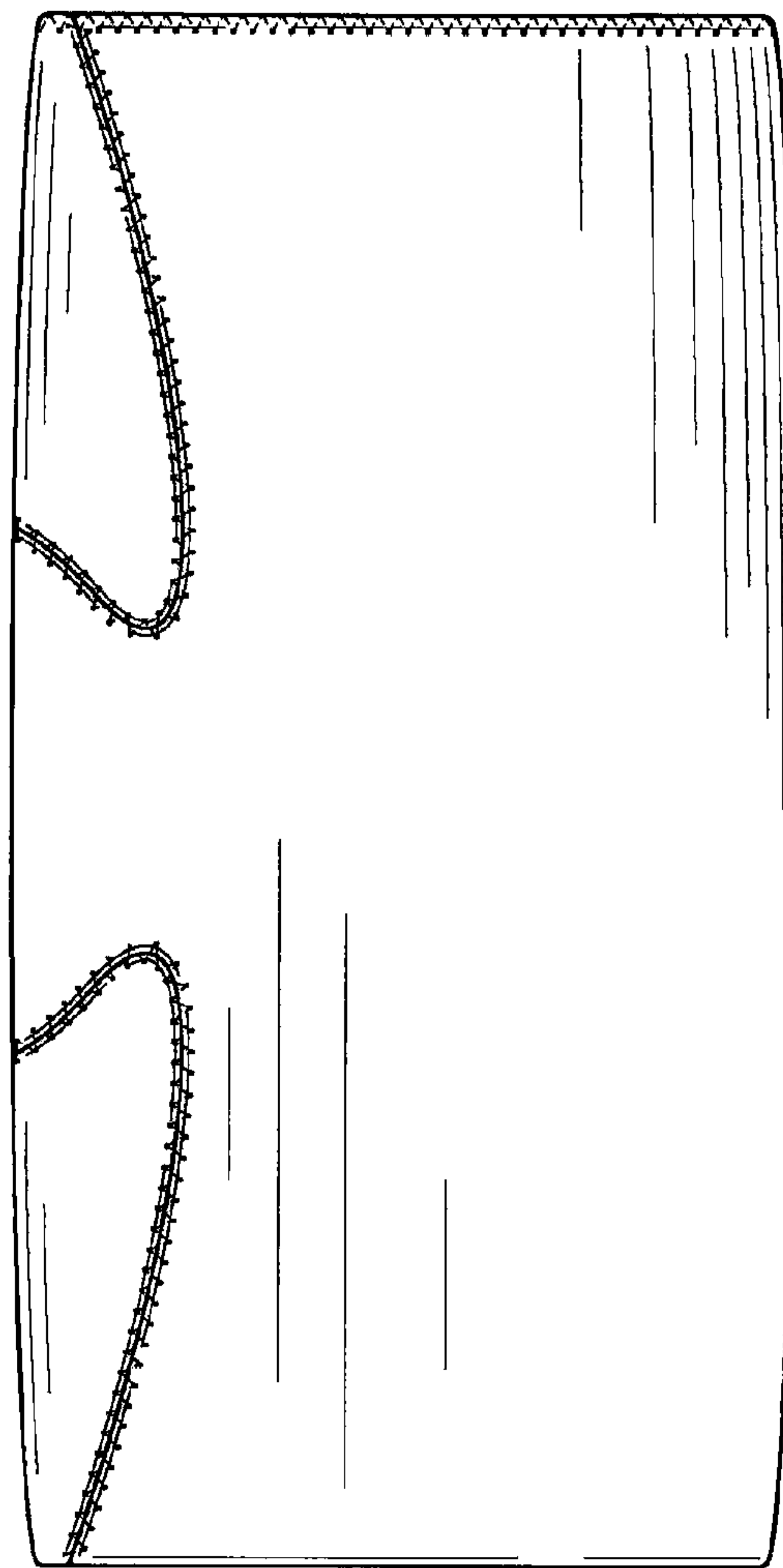


FIG. 5

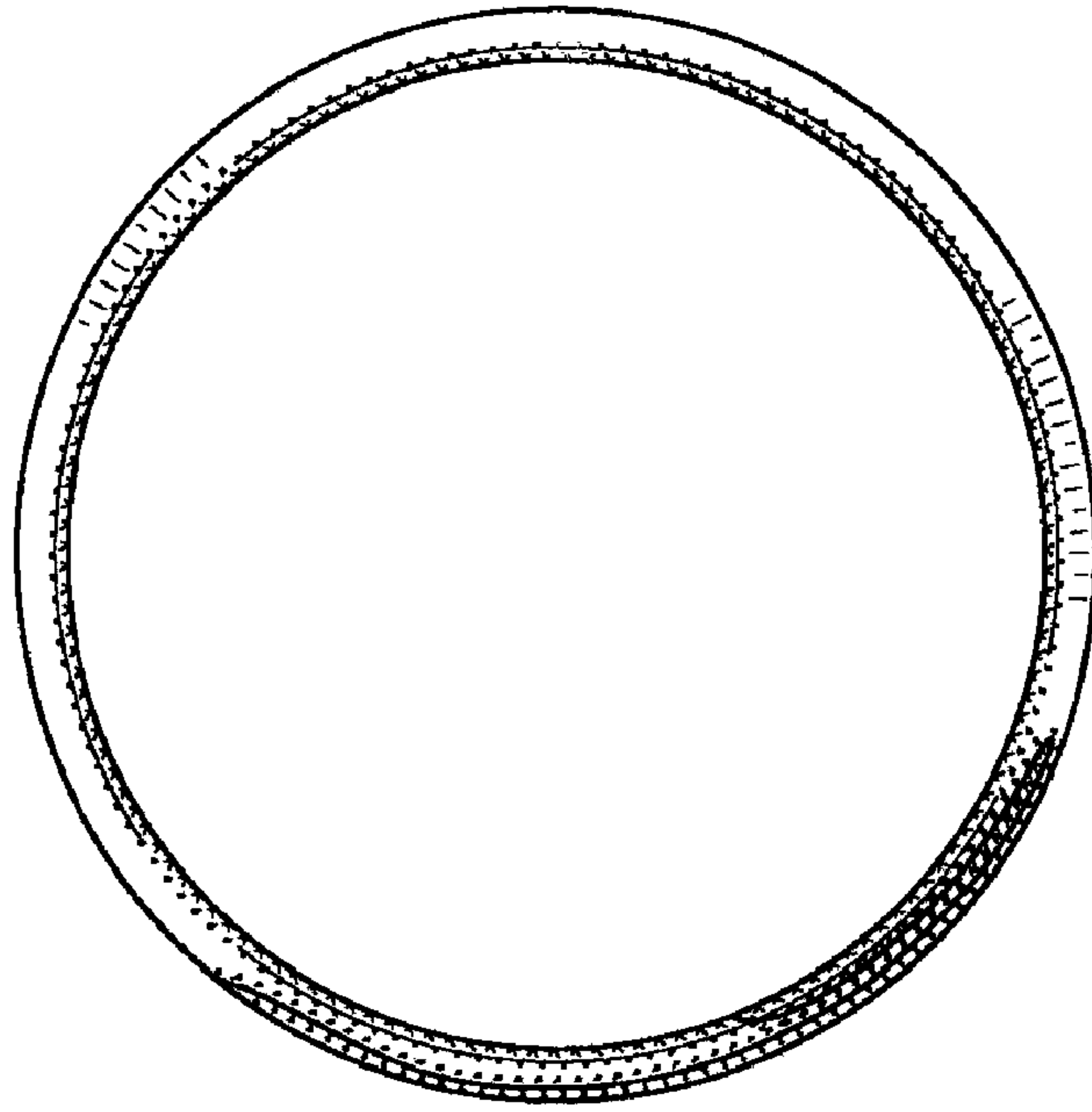


FIG. 6

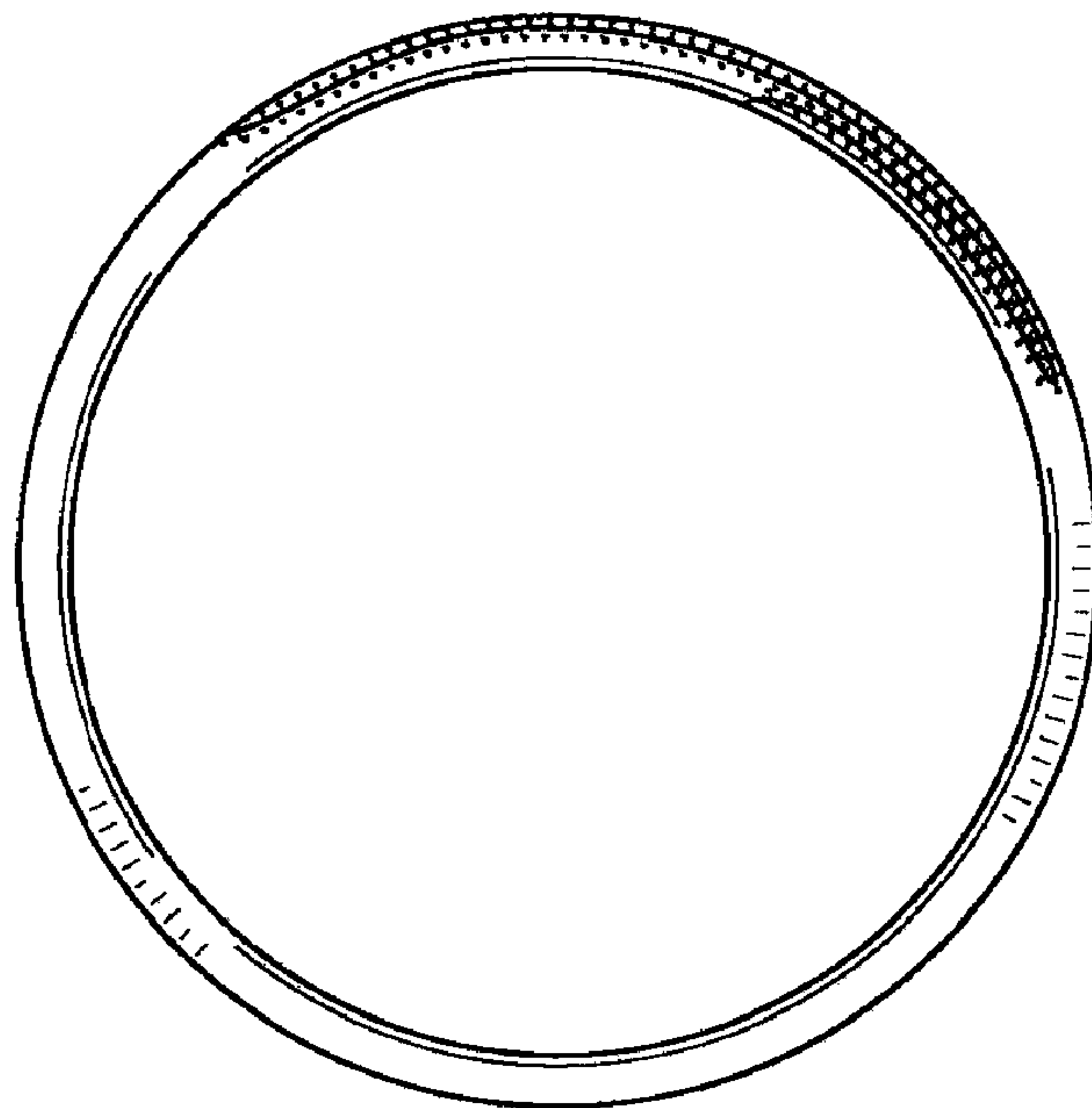


FIG. 7