



US00D584143S

(12) **United States Design Patent**
Lee

(10) **Patent No.:** **US D584,143 S**
(45) **Date of Patent:** **** Jan. 6, 2009**

(54) **TISSUE CASE**

(76) Inventor: **Bok Woo Lee**, No. 1807, Beomeo-tower,
#45-4, Beomeo-dong, Suseong-gu,
Daegu (KR)

(**) Term: **14 Years**

(21) Appl. No.: **29/284,529**

(22) Filed: **Sep. 10, 2007**

(30) **Foreign Application Priority Data**

Mar. 9, 2007 (KR) 30-2007-0010320

(51) **LOC (9) Cl.** **09-03**

(52) **U.S. Cl.** **D9/433**

(58) **Field of Classification Search** D9/430-433,
D9/414, 417, 420-423, 759, 416, 734; 206/45.21,
206/45.29, 476, 525.1, 526, 750, 763, 774,
206/784, 233; 229/100, 101, 103.3, 117,
229/117.01, 117.03-117.08, 120.02, 120.08,
229/120.13-120.18, 120.31, 120.37, 125.09,
229/125.15, 125.29, 126, 138, 155, 170,
229/221, 222, 247, 902, 904, 917, 933-937,
229/942; 221/25, 48, 63, 303, 305, 309

See application file for complete search history.

(56) **References Cited**

U.S. PATENT DOCUMENTS

1,890,295 A * 12/1932 Jacobs 221/45
2,841,276 A * 7/1958 Schwimmer et al. 206/449
3,024,958 A * 3/1962 Loderhose 229/242
3,197,062 A * 7/1965 Day et al. 221/48
3,239,097 A * 3/1966 Bates et al. 221/48
3,243,078 A * 3/1966 Pherson 221/48
3,254,793 A * 6/1966 Palmer 221/63
3,482,734 A * 12/1969 Mierson 221/63
3,940,054 A * 2/1976 Goebel et al. 206/449
D255,779 S * 7/1980 Clatterbuck D9/432
D265,890 S * 8/1982 Fallen et al. D9/433
4,574,952 A * 3/1986 Masui 206/494
4,623,074 A * 11/1986 Dearwester 221/48
D320,557 S * 10/1991 Schuster D9/418

5,065,936 A * 11/1991 King 229/101
5,219,421 A * 6/1993 Tipping 221/63
5,275,331 A * 1/1994 Chung-Piao 229/117.15
5,316,177 A * 5/1994 Boldt 221/63
5,332,117 A * 7/1994 Yadegar 221/33
5,501,323 A * 3/1996 Denesha et al. 206/278
5,542,598 A * 8/1996 Capo 229/242
D374,360 S * 10/1996 Angermeir D6/518
6,349,849 B1 * 2/2002 Pehr 221/33

(Continued)

Primary Examiner—T. Chase Nelson

Assistant Examiner—Karen Acker

(74) *Attorney, Agent, or Firm*—John K. Park; Park Law Firm

(57) **CLAIM**

The ornamental design for a tissue case, as shown and described.

DESCRIPTION

FIG. 1 is a top perspective view of a tissue case in blank form.

FIG. 2 is a front elevation view thereof.

FIG. 3 is a left side elevation view thereof.

FIG. 4 is a top plan view thereof.

FIG. 5 is a bottom plan view thereof.

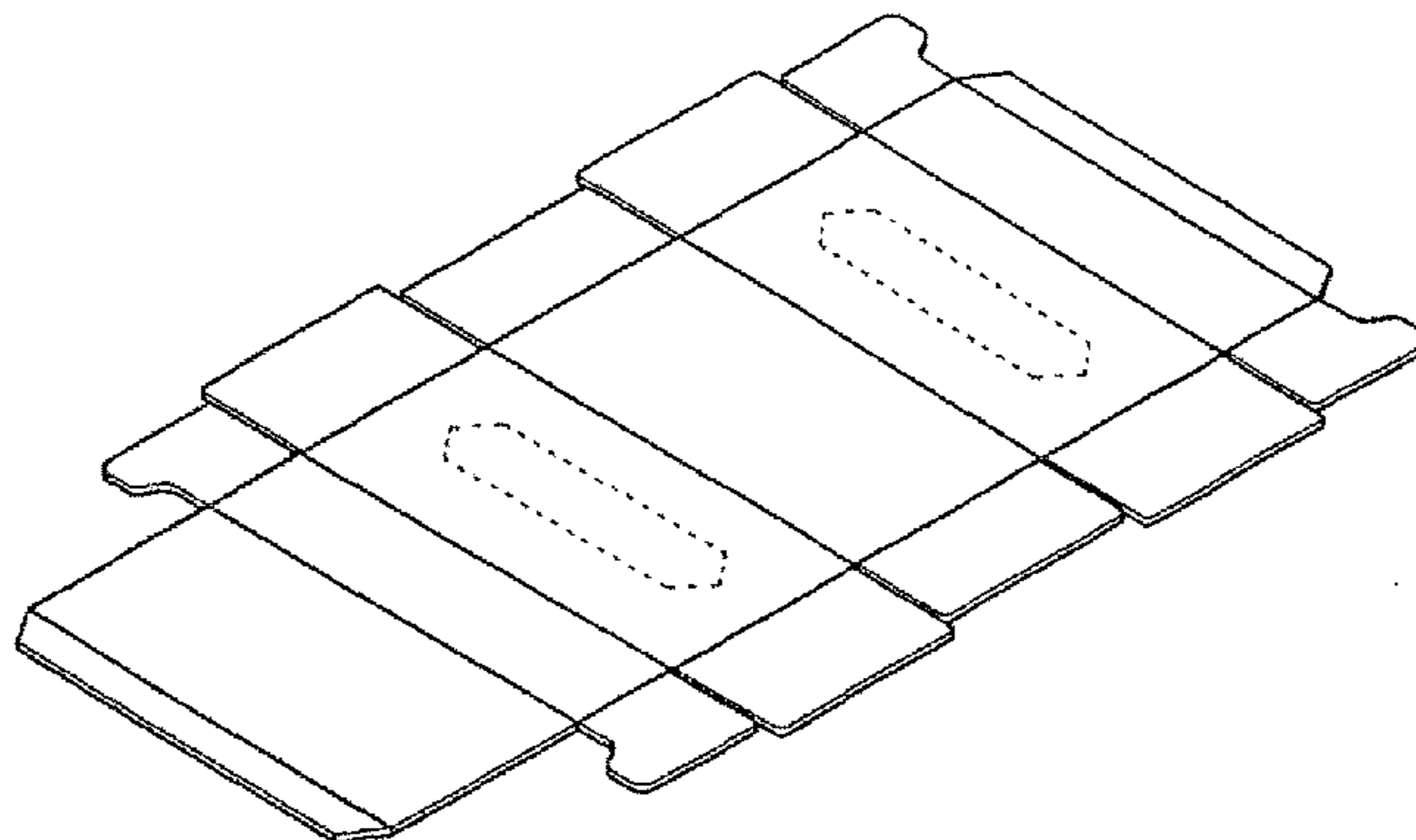
FIG. 6 is a cross-sectional view taken along the line 6—6 of FIG. 7 of the tissue case of FIG. 1 in an assembled form; and,

FIG. 7 is a top perspective view of the tissue case of FIG. 1 in an assembled form.

The broken lines in FIGS. 6 and 7 show environmental structures included to illustrate the design in an environment of use and form no part of the claimed design.

The broken lines in FIGS. 1, 4 and 5 represent perforations and are part of the claimed design. The part enclosed by perforations in FIGS. 1, 4 and 5 is shown removed in FIG. 7 in order to show the design in a condition of use.

1 Claim, 4 Drawing Sheets



US D584,143 S

Page 2

U.S. PATENT DOCUMENTS

D482,615 S *	11/2003	Morin	D9/433	D546,675 S *	7/2007	Keberlein	D9/433
D484,047 S *	12/2003	Hirschey	D9/433	7,273,156 B2 *	9/2007	Gao et al.	221/47
D485,177 S *	1/2004	Hoffman et al.	D9/433	2003/0146231 A1 *	8/2003	Sarbo et al.	221/63
6,672,475 B1 *	1/2004	Ho et al.	221/45	2004/0256404 A1 *	12/2004	Morin	221/48
D504,314 S *	4/2005	Kim	D9/416	2007/0170197 A1 *	7/2007	Decker et al.	221/63
D505,069 S *	5/2005	Keberlein	D9/416	2007/0257095 A1 *	11/2007	Molinare et al.	229/222
7,100,794 B2 *	9/2006	Sakamoto	221/63				

* cited by examiner

FIG. 1

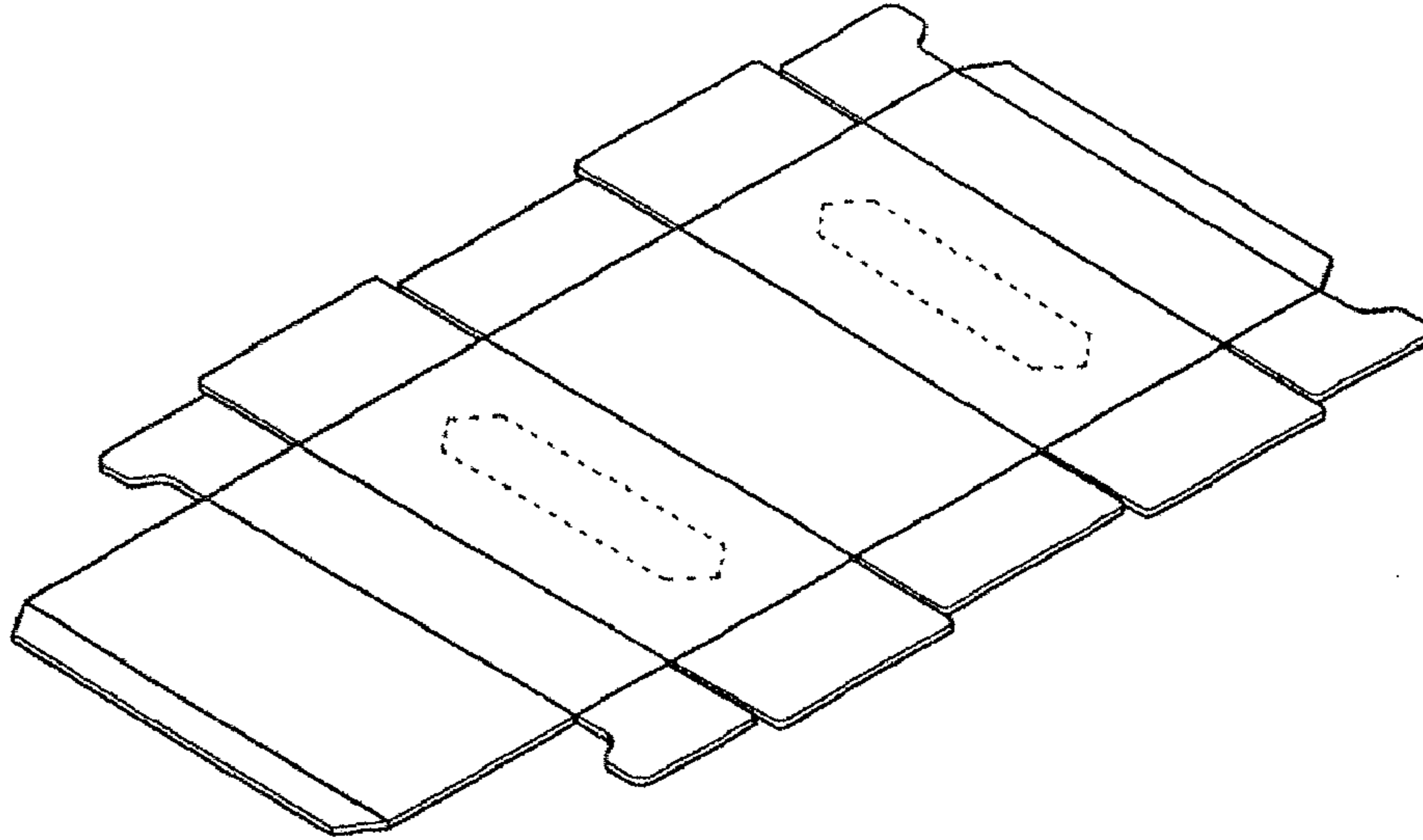


FIG. 2



FIG. 3

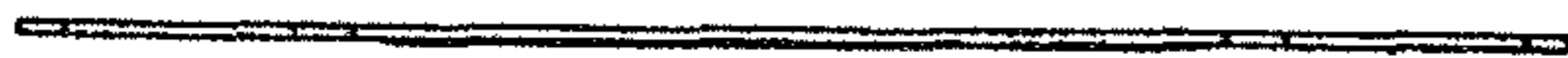


FIG. 4

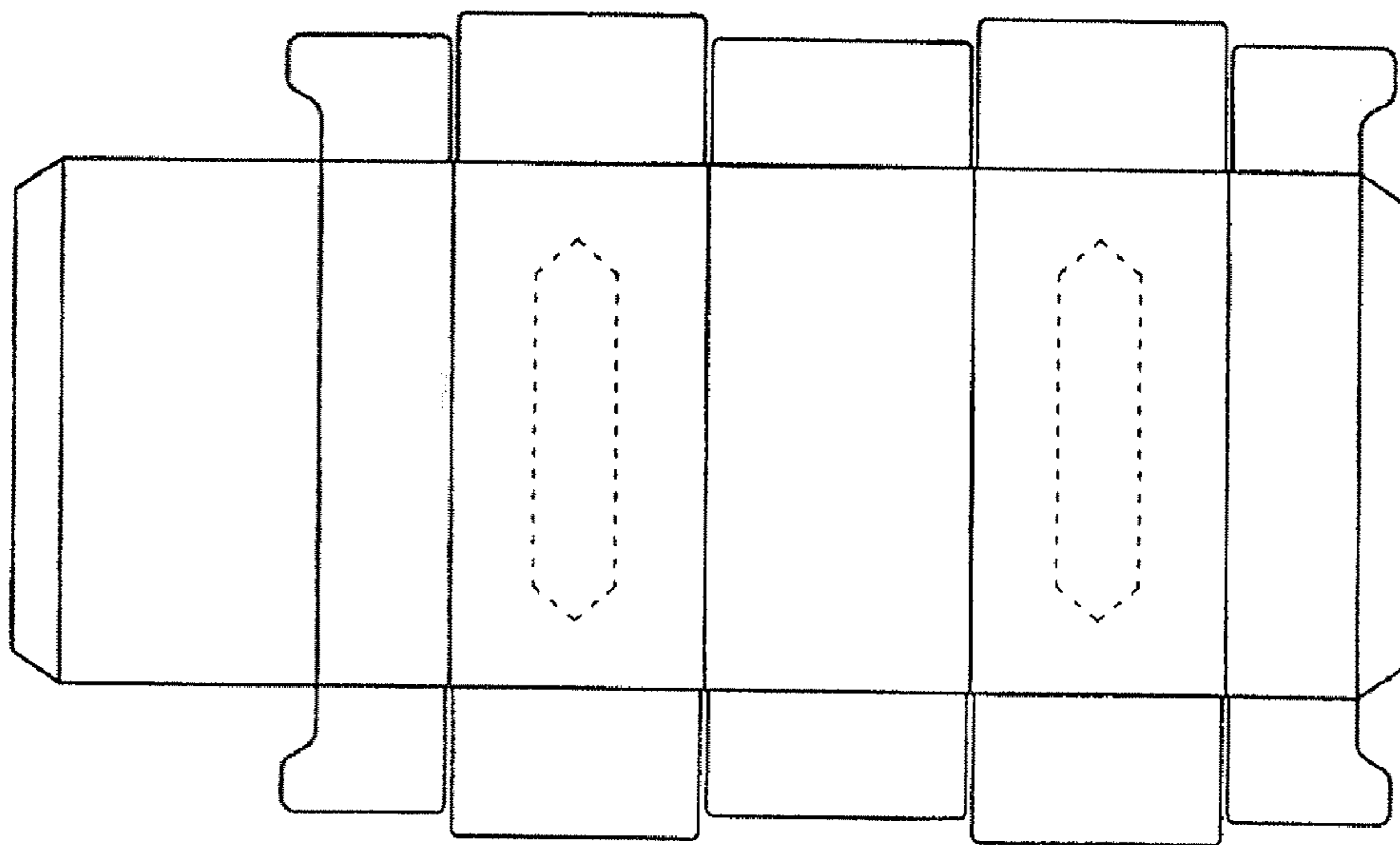


FIG. 5

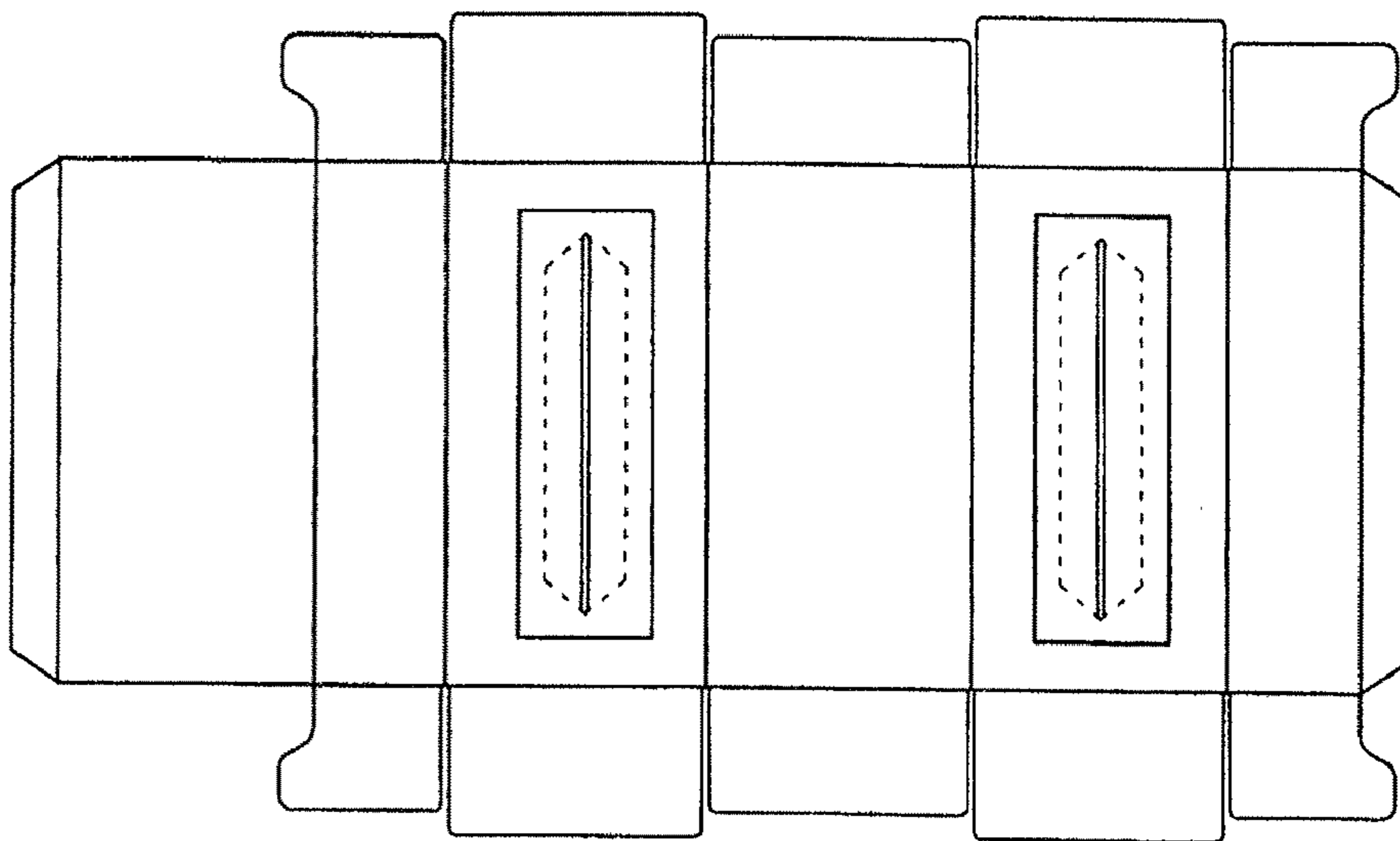


FIG. 6

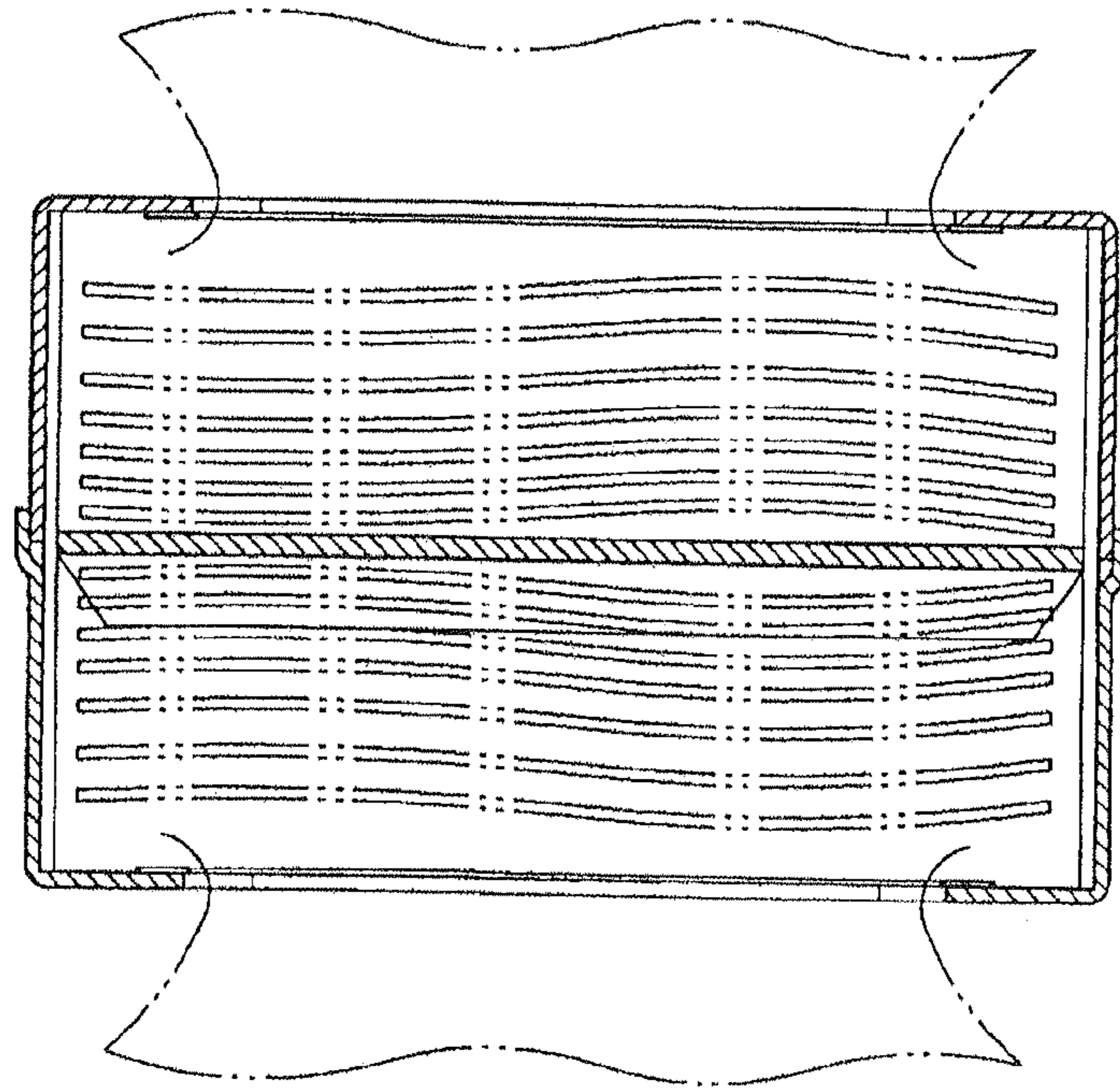


FIG. 7

