



US00D584141S

(12) **United States Design Patent**  
**Smith et al.**

(10) **Patent No.:** **US D584,141 S**  
(45) **Date of Patent:** **\*\* Jan. 6, 2009**

(54) **PACKAGE**

(75) Inventors: **Barry Smith**, Hopewell, VA (US); **Xuan Minh Pham**, Glen Allen, VA (US); **Cary Longest**, Midlothian, VA (US); **Carl G. Miller**, Richmond, VA (US); **James D. Evans**, Chesterfield, VA (US)

(73) Assignee: **Philip Morris USA Inc.**, Richmond, VA (US)

(\*\*) Term: **14 Years**

(21) Appl. No.: **29/287,109**

(22) Filed: **Jun. 28, 2007**

(51) **LOC (9) Cl.** ..... **09-03**

(52) **U.S. Cl.** ..... **D9/425; D9/414**

(58) **Field of Classification Search** ..... D9/414-416, D9/418, 420, 424-432, 433, 435, 438, 440, D9/443, 527-530, 704, 730-734, 751-757; D7/354, 360, 505, 553.1, 540-545, 554, 565-567, D7/570, 574, 584-586, 590, 604, 629; D30/123, D30/129-133; 426/115, 122, 394; 206/162, 206/170, 193, 195, 216, 469, 471, 497, 508, 206/536, 557, 804, 815; 220/4.21-4.22, 220/266, 350, 406, 470, 471, 495.01, 557, 220/574, 618, 756, 793; 229/117.14, 117.18, 229/123.1, 125.35, 161, 220, 230, 406, 362.4; D3/203.1-203.3, 273, 276, 304, 314, 294, D3/323; 221/250, 260, 267, 281, 299, 807; 40/310, 665

See application file for complete search history.

(56) **References Cited**

**U.S. PATENT DOCUMENTS**

- D144,403 S \* 4/1946 Lippincott ..... D9/418
- D226,285 S \* 2/1973 Bateman ..... D7/554.3
- D240,597 S \* 7/1976 Pearson ..... D9/425
- D254,360 S \* 3/1980 Seda ..... D9/415
- 4,197,947 A \* 4/1980 Zaidi ..... 206/438

- D266,829 S \* 11/1982 Yoshizawa et al. .... D9/415
- D276,286 S \* 11/1984 Evans ..... D3/321

(Continued)

*Primary Examiner*—Robert M Spear  
*Assistant Examiner*—Susan E Krakower  
(74) *Attorney, Agent, or Firm*—Buchanan Ingersoll & Rooney PC

(57) **CLAIM**

The ornamental design for a package, as shown and described

**DESCRIPTION**

FIG. 1 is a front, right side and top perspective view of a package showing a first embodiment of our new design.

FIG. 2 is a rear, right side and bottom perspective view thereof.

FIG. 3 is a top plan view thereof.

FIG. 4 is a bottom plan view thereof.

FIG. 5 is a front elevational view thereof, the rear view being a mirror image thereof.

FIG. 6 is a side elevational view thereof, the other side being a mirror image thereof.

FIG. 7 is a front, right side and top perspective view of a package showing a second embodiment of our new design.

FIG. 8 is a rear, right side and bottom perspective view thereof.

FIG. 9 is a top plan view thereof.

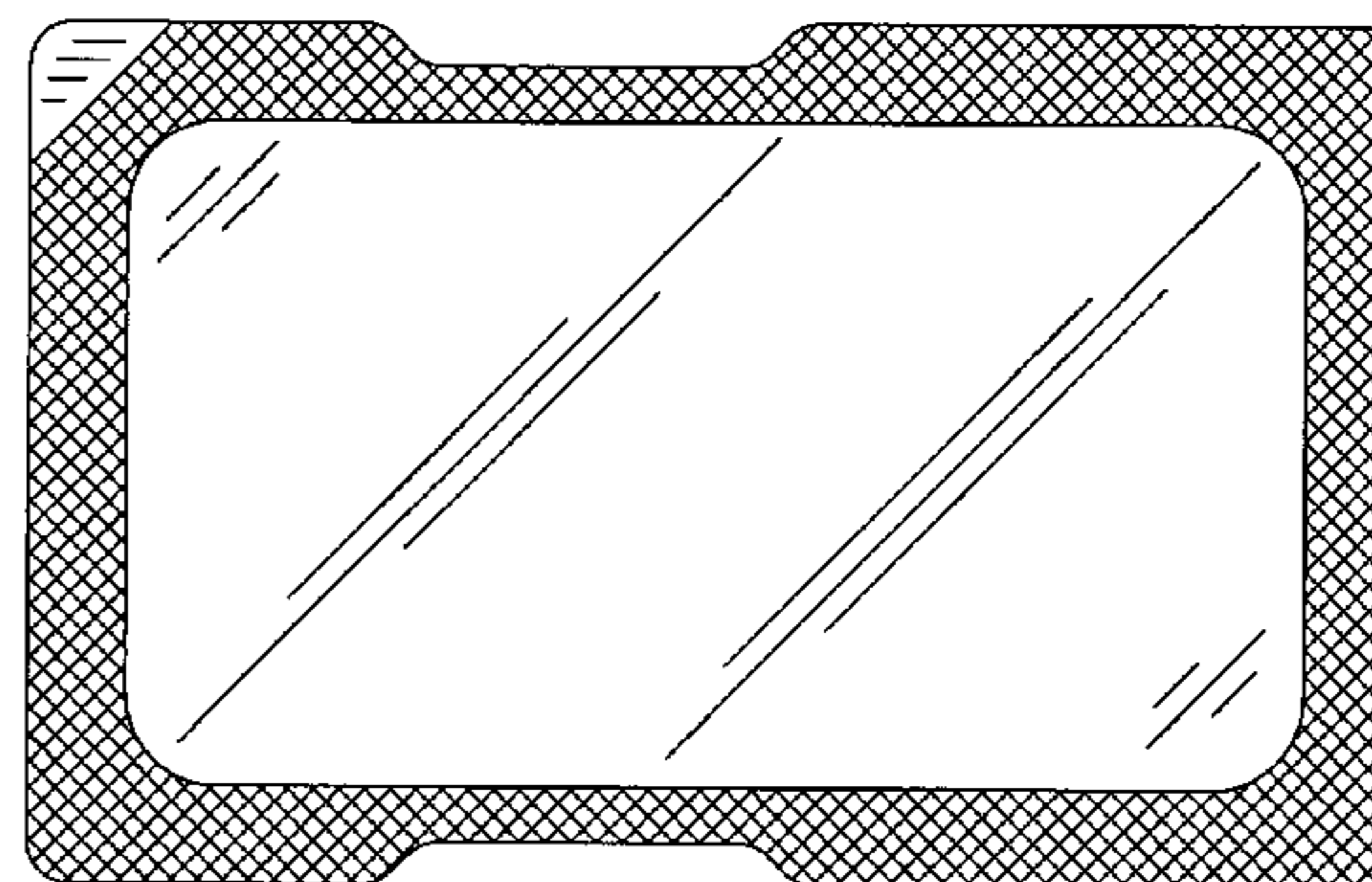
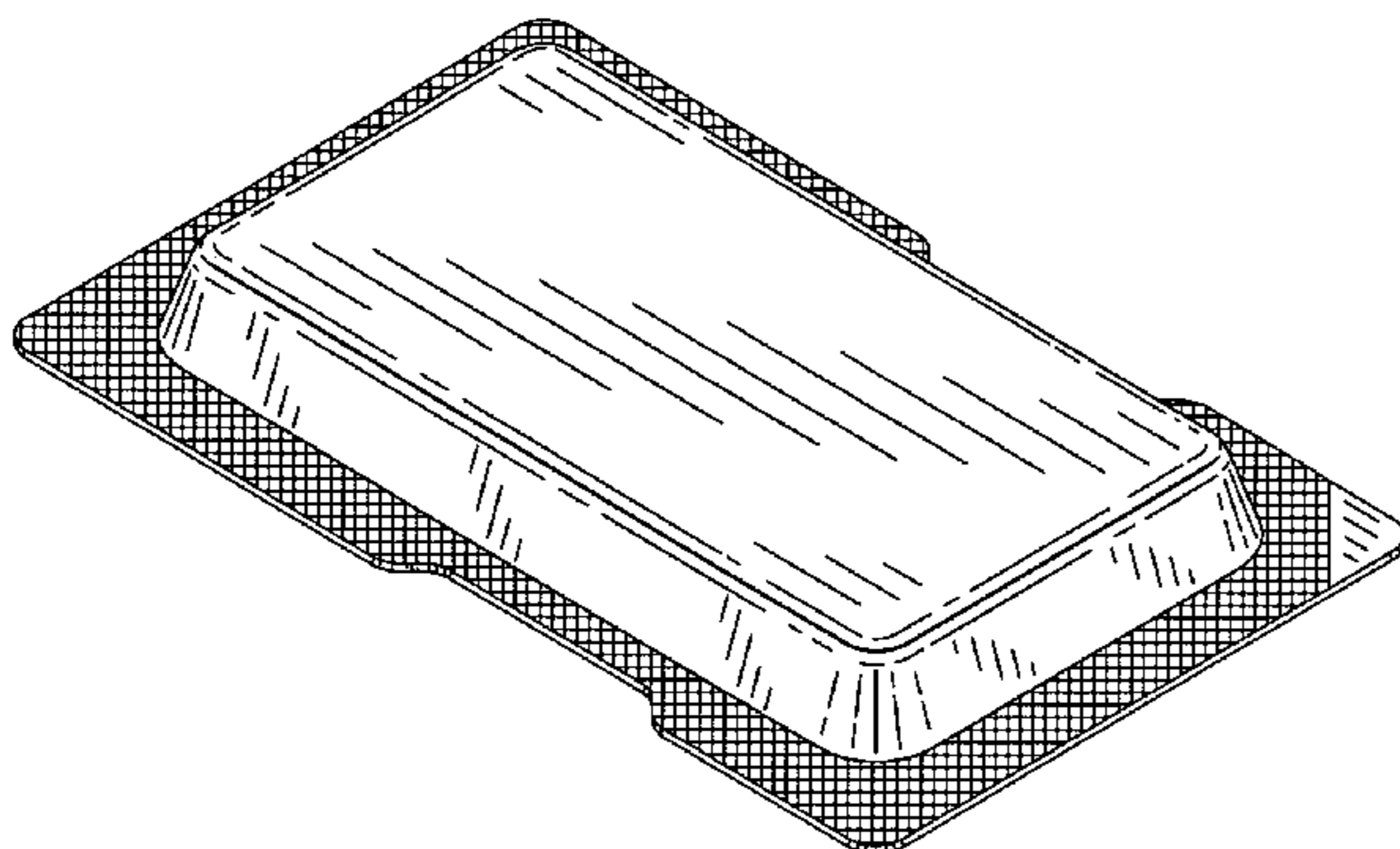
FIG. 10 is a bottom plan view thereof.

FIG. 11 is a front elevational view thereof, the rear view being a mirror image thereof; and,

FIG. 12 is a side elevational view thereof, the other side being a mirror image thereof.

The oblique line shading shown in FIGS. 2, 4, 7 and 8 is used to portray a reflective surface on the package.

**1 Claim, 6 Drawing Sheets**



# US D584,141 S

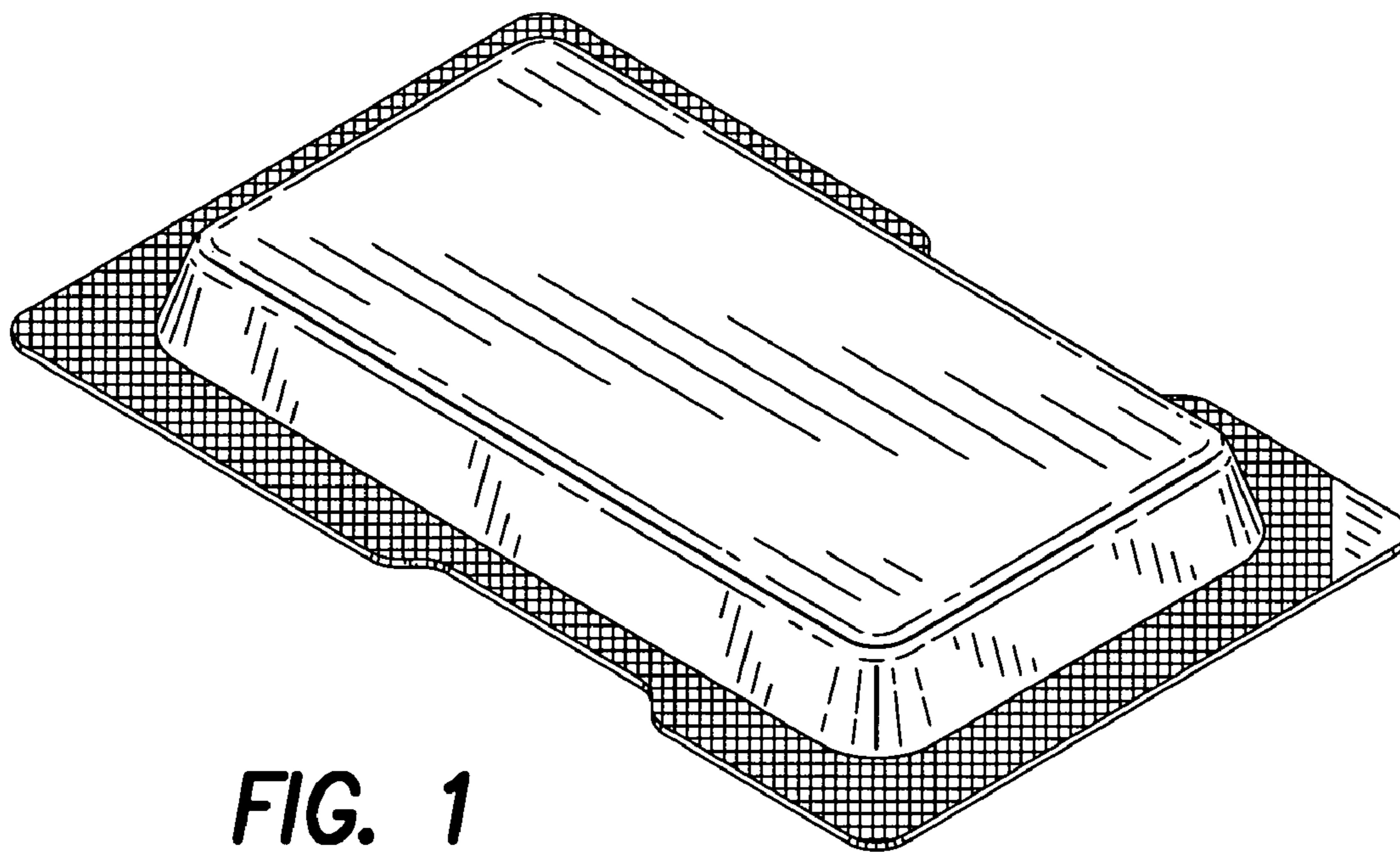
Page 2

---

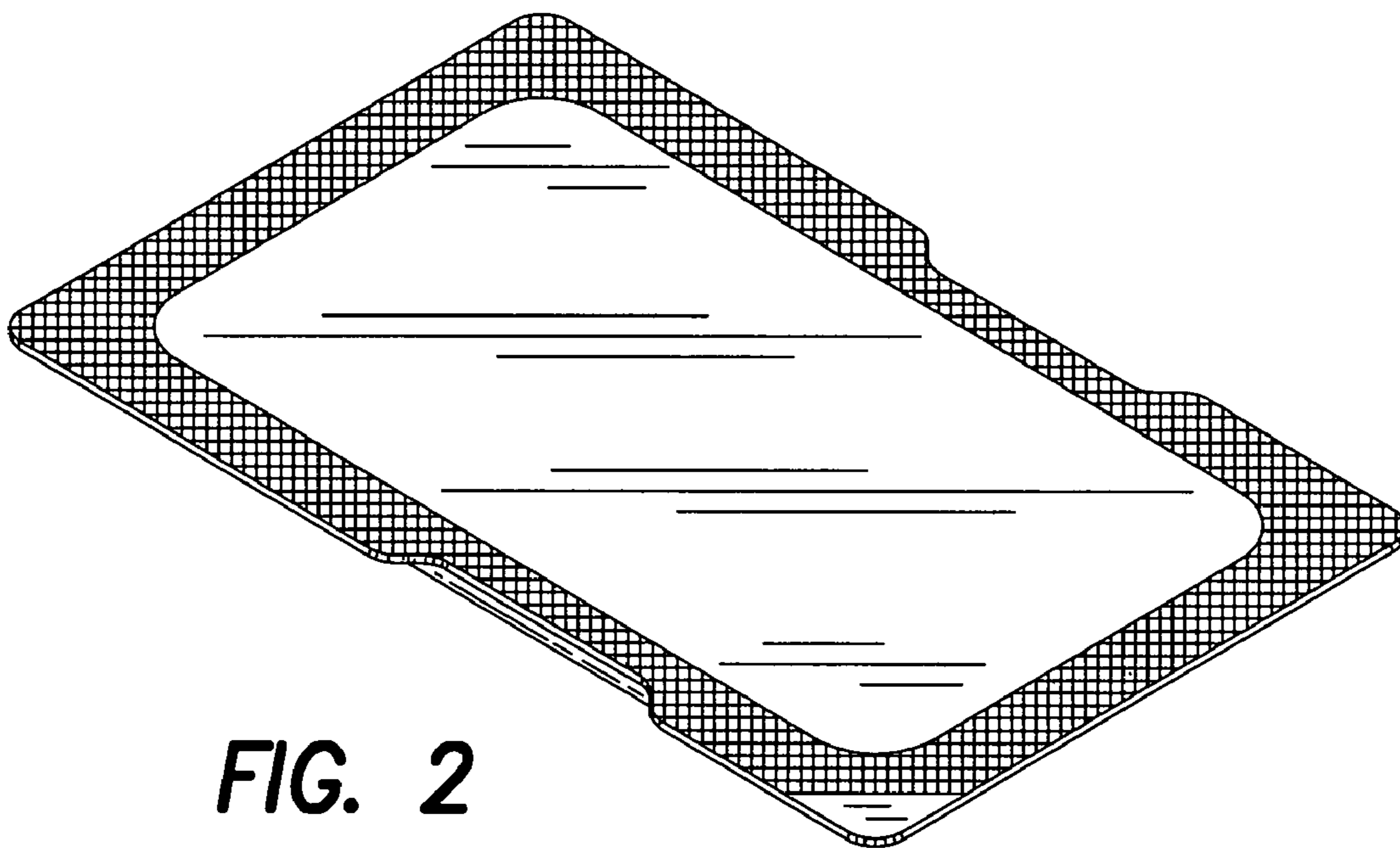
## U.S. PATENT DOCUMENTS

4,694,960	A *	9/1987	Phipps et al. ....	206/469	D309,569	S *	7/1990	Grazi .....	D9/415
D292,776	S *	11/1987	Cugley .....	D9/415	D311,683	S *	10/1990	Diba et al. ....	D9/415
D296,988	S *	8/1988	Yamada .....	D9/415	D346,067	S *	4/1994	Bell et al. ....	D6/300
D304,685	S *	11/1989	Hadtke .....	D9/415	D375,681	S *	11/1996	Liebermann .....	D9/414
D305,000	S *	12/1989	Hernandez .....	D9/415	D380,962	S *	7/1997	Trigger .....	D9/415
D305,732	S *	1/1990	Hadtke .....	D9/415	D525,864	S *	8/2006	Hiolin .....	D9/415
					7,322,473	B2 *	1/2008	Fux .....	206/459.1

\* cited by examiner

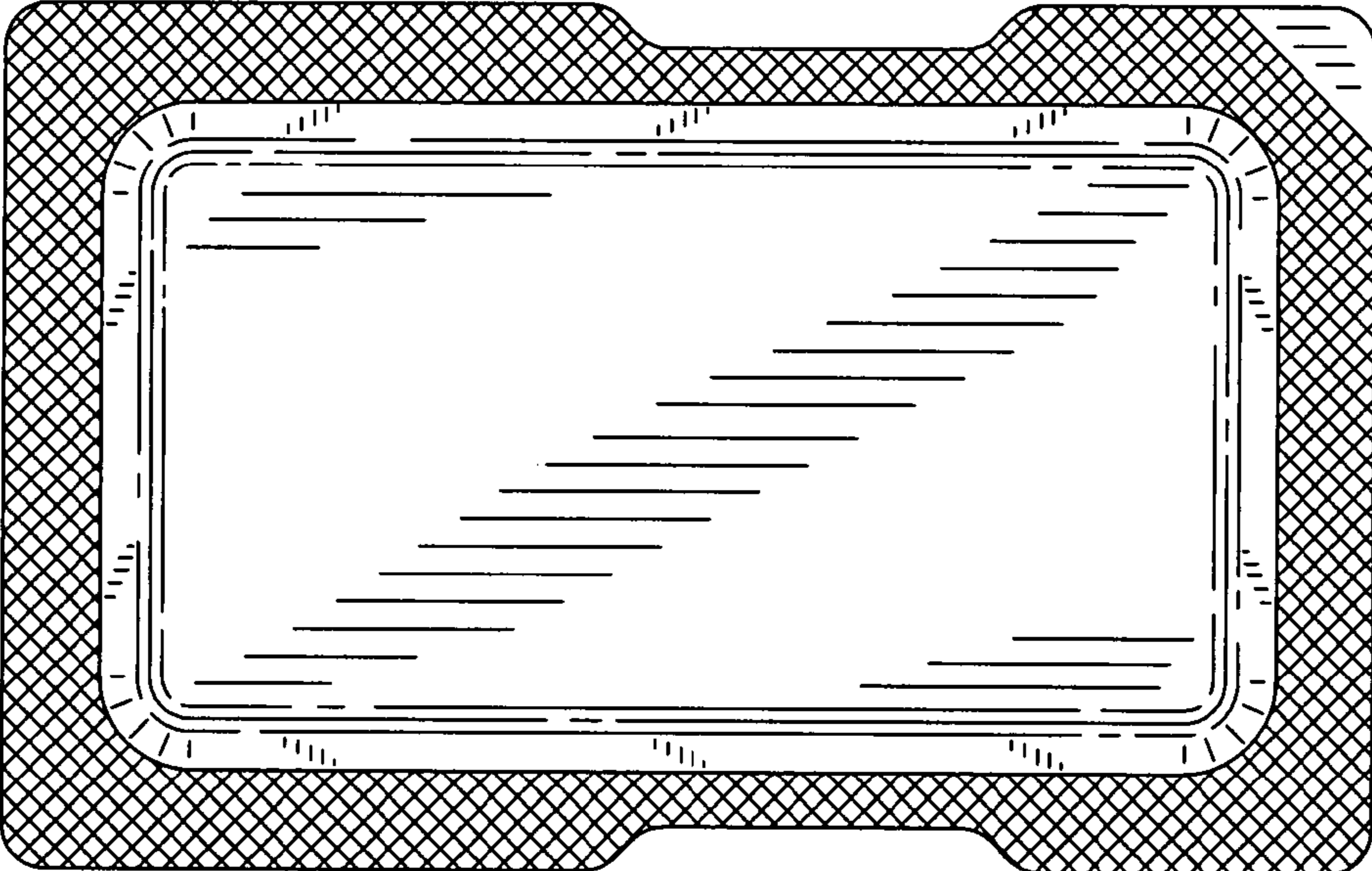


**FIG. 1**

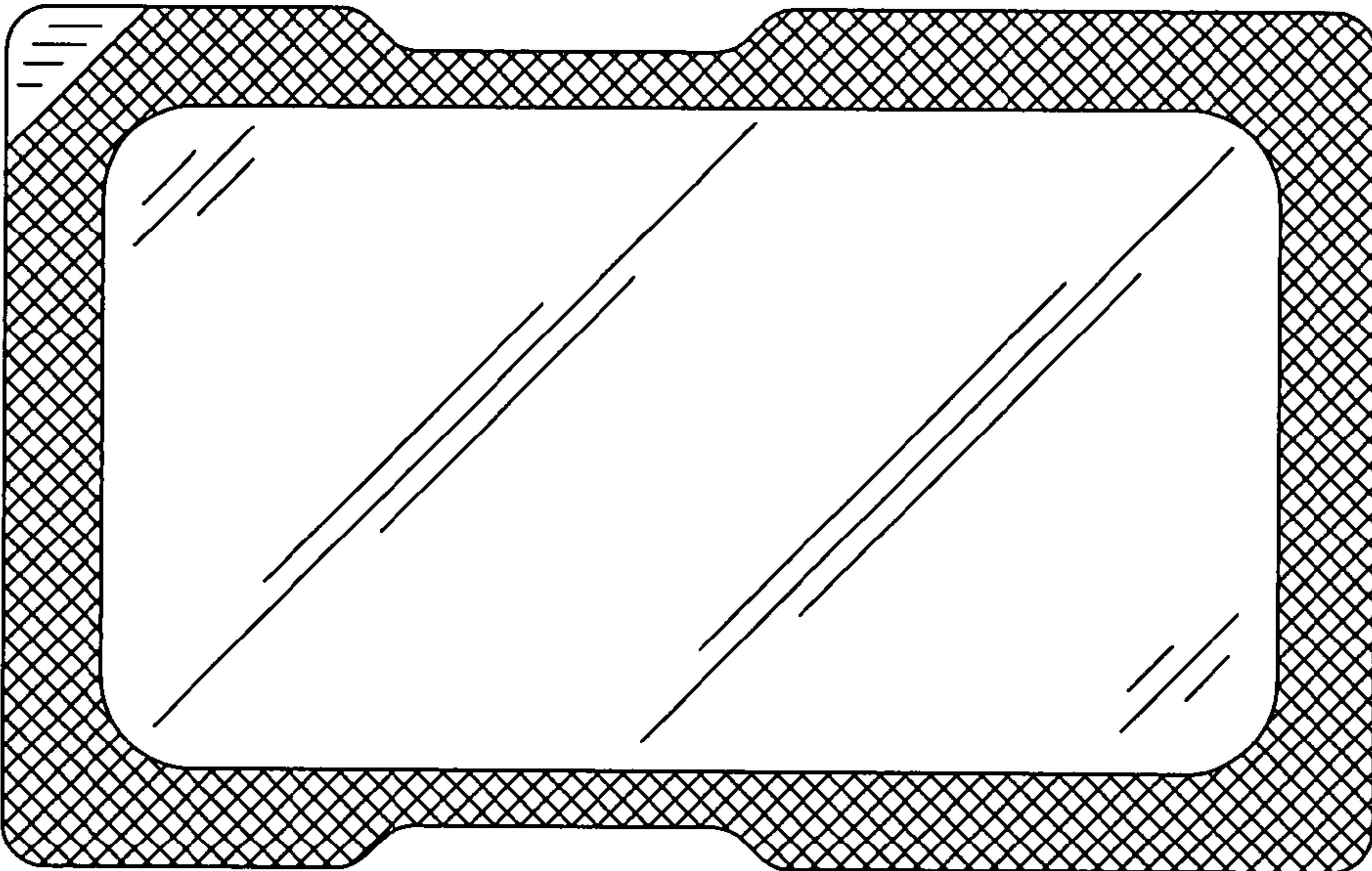


**FIG. 2**





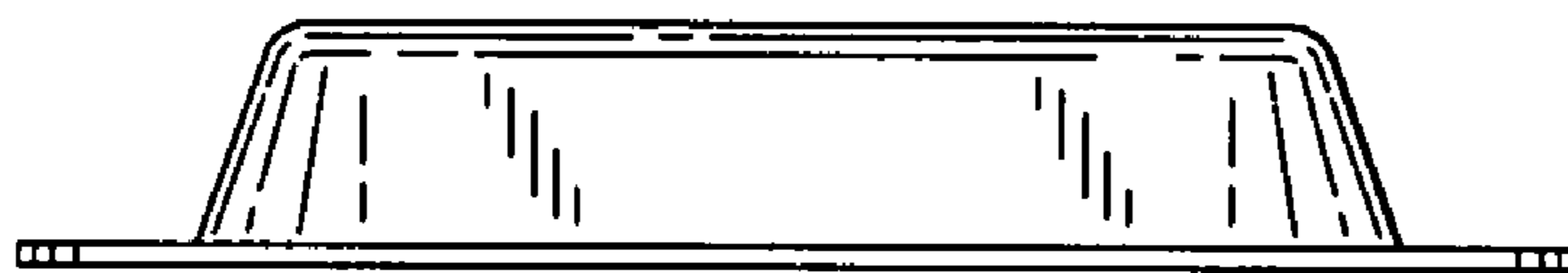
**FIG. 3**



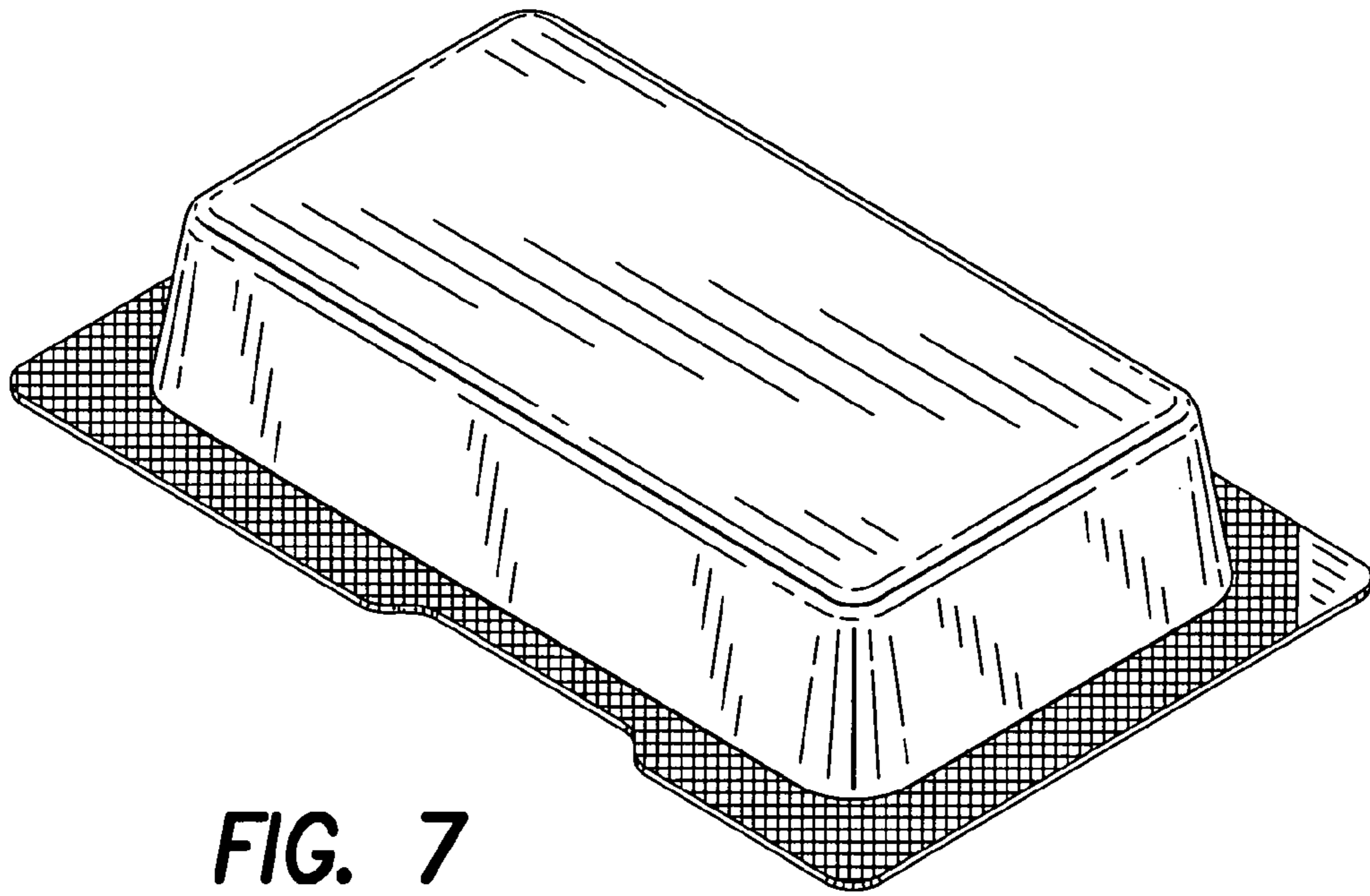
**FIG. 4**



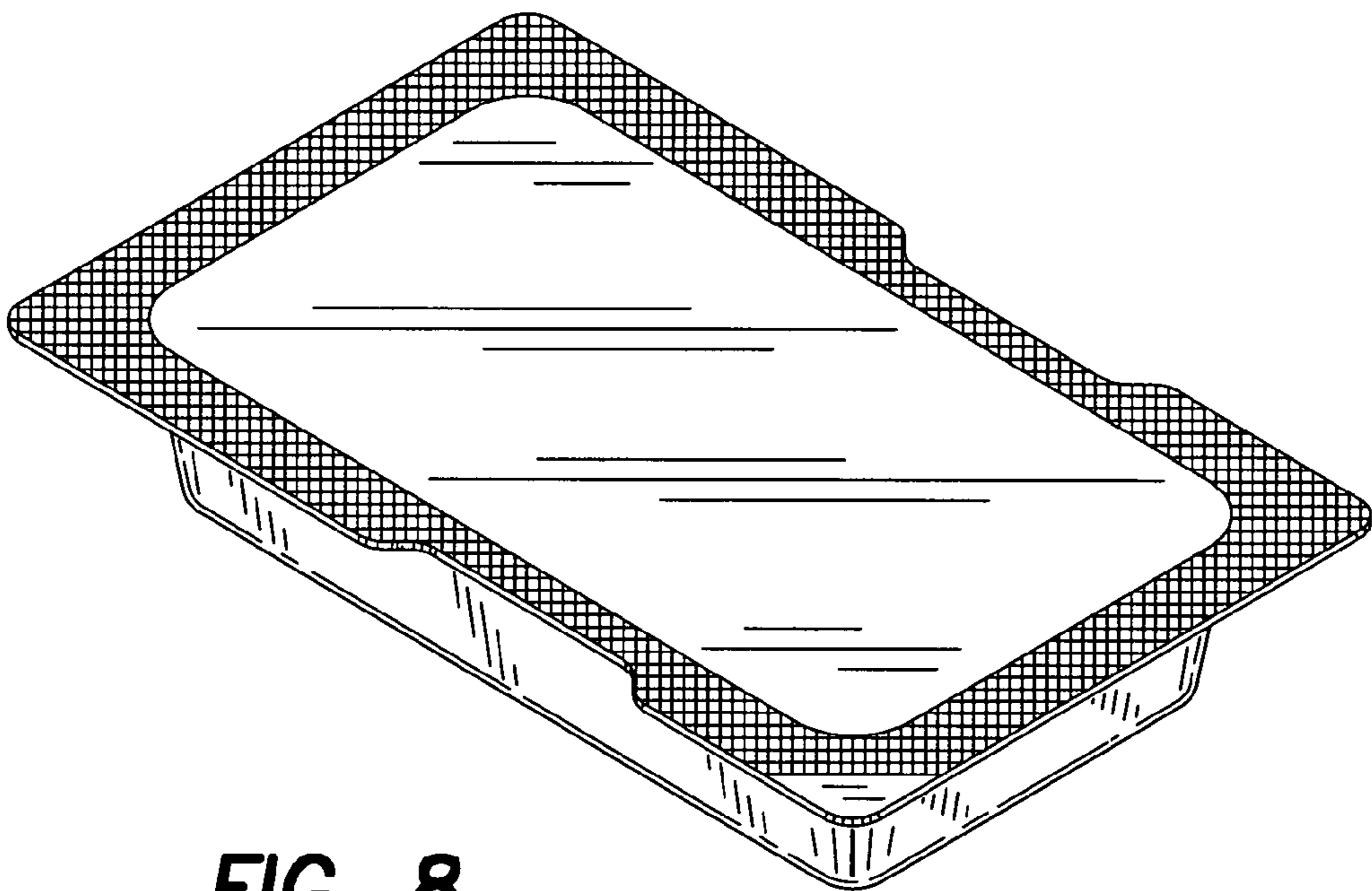
**FIG. 5**



**FIG. 6**

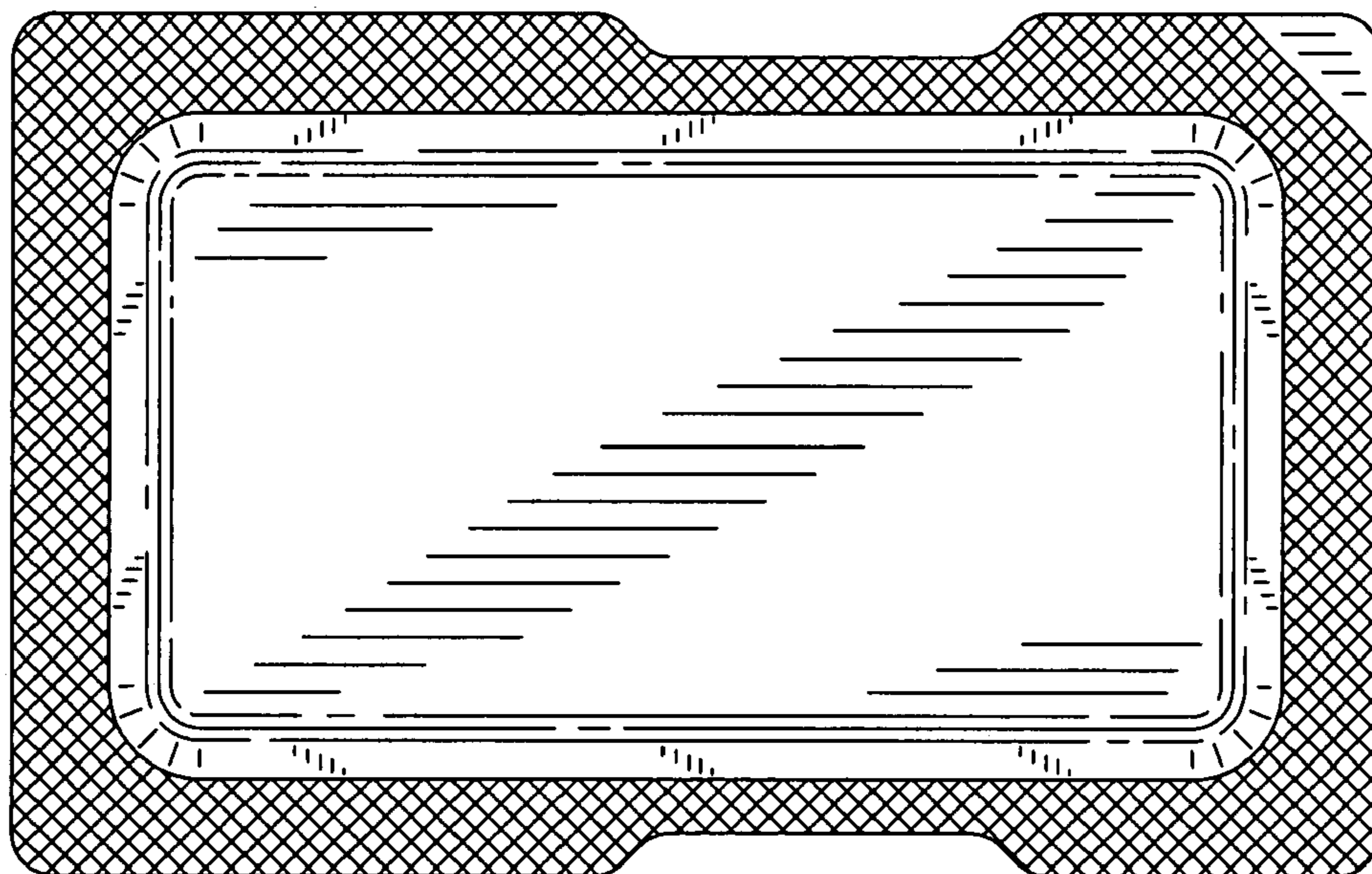


**FIG. 7**

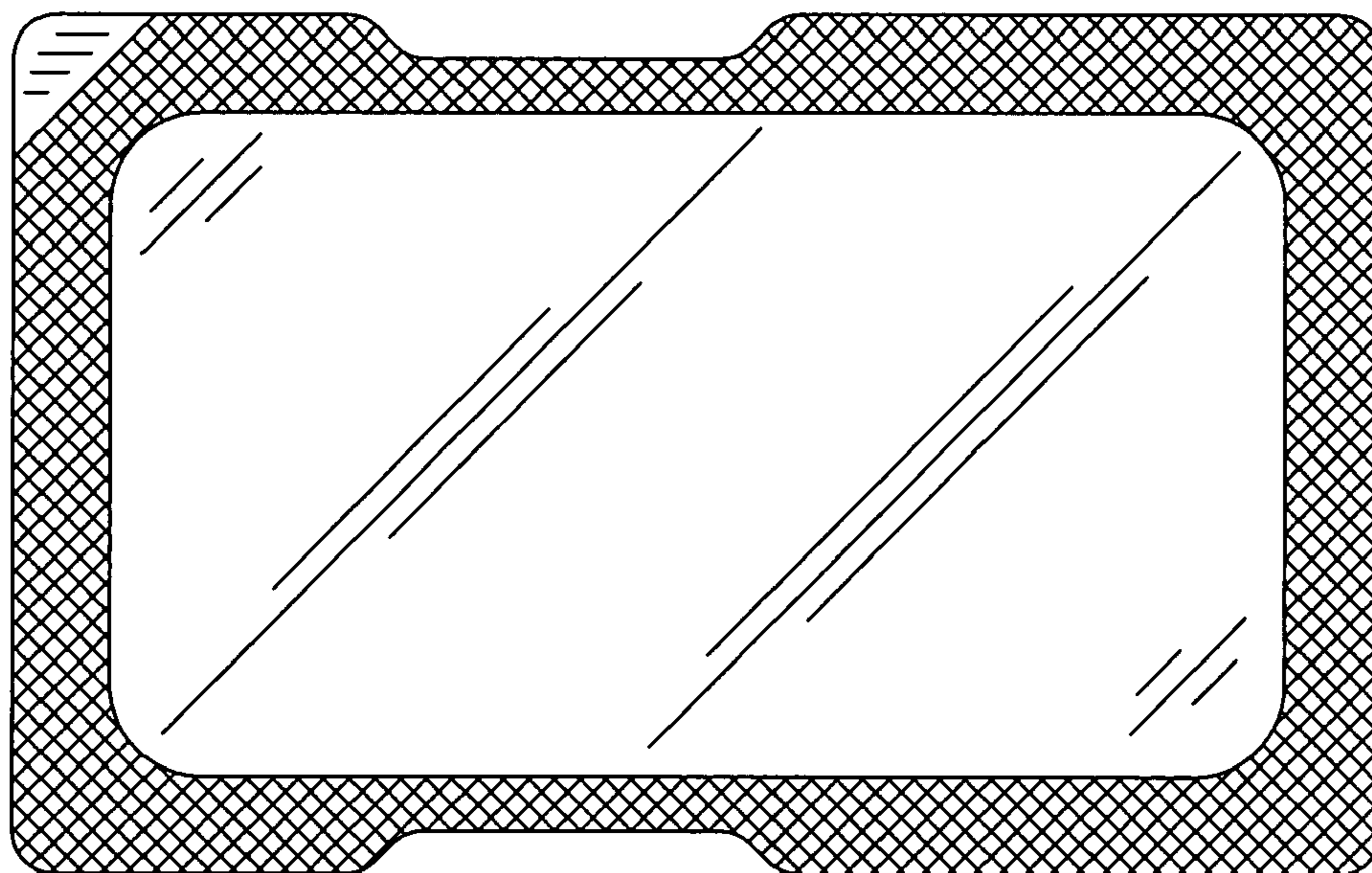


**FIG. 8**

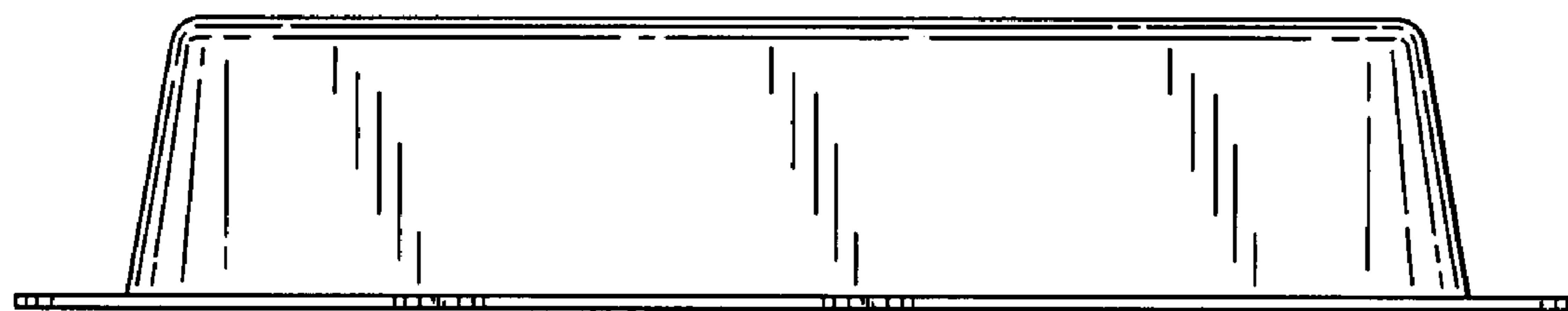




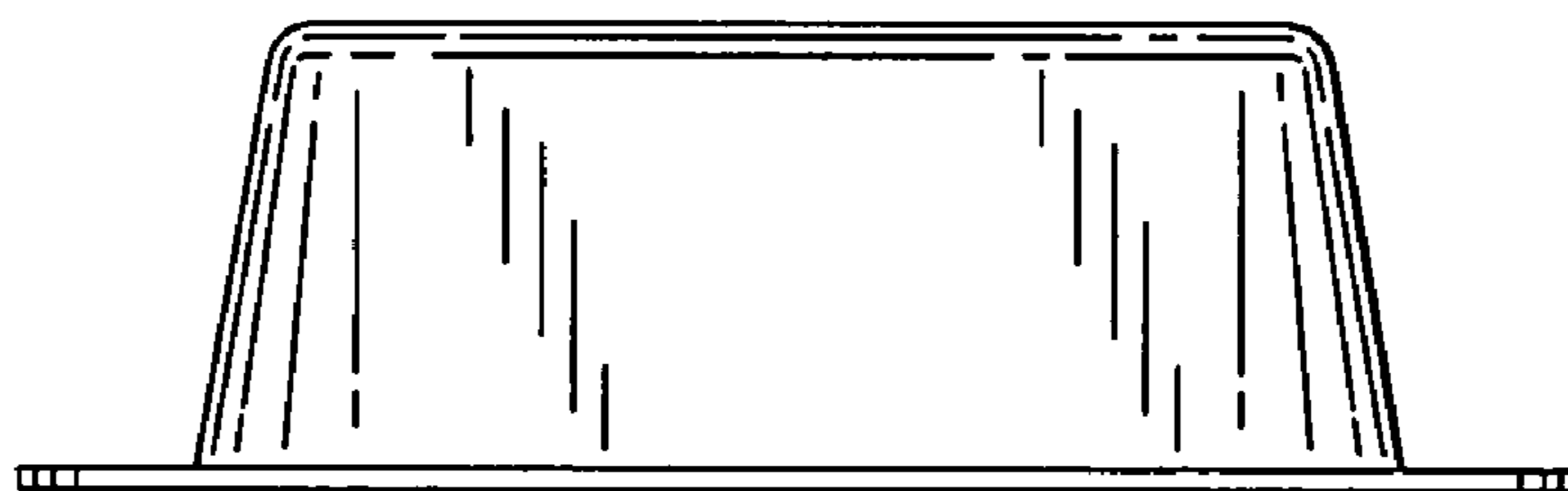
**FIG. 9**



**FIG. 10**



**FIG. 11**



**FIG. 12**