



US00D584140S

(12) **United States Design Patent**
Roe et al.

(10) **Patent No.:** **US D584,140 S**
(45) **Date of Patent:** **** Jan. 6, 2009**

(54) **FRESH FRUIT SNACK PACKAGE**

(76) Inventors: **Quentin J. Roe**, 829 Hwy 50th West,
Winter Haven, FL (US) 33880; **Dan Fosse**, 31950 Quincy Ct. NE.,
Cambridge, MN (US) 55008

(**) Term: **14 Years**

(21) Appl. No.: **29/303,894**

(22) Filed: **Feb. 20, 2008**

(51) **LOC (9) Cl.** **09-03**

(52) **U.S. Cl.** **D9/424**

(58) **Field of Classification Search** D9/424,
D9/414, 416, 419, 420, 421, 425, 428, 432,
D9/757, 761; D7/538, 540, 601, 602, 615,
D7/629; 206/508, 518, 519, 521.1, 822;
220/4.23, 608, 657, 659, 675, 839; 229/406
See application file for complete search history.

(56) **References Cited**

U.S. PATENT DOCUMENTS

D197,092 S *	12/1963	Swanson	D9/757
4,556,147 A	12/1985	Magnussen, Jr.		
D282,245 S *	1/1986	Yeung	D9/425
5,045,331 A	9/1991	Antoon, Jr.		
5,165,947 A *	11/1992	Colucci et al.	426/124
D361,036 S *	8/1995	Krupa	D9/424
D363,879 S *	11/1995	Krupa et al.	D9/423
5,515,993 A *	5/1996	McManus	220/4.23
D376,314 S *	12/1996	Krupa	D9/425
D439,160 S *	3/2001	Abayhan et al.	D9/429
6,261,616 B1 *	7/2001	Simpson et al.	426/119
D484,797 S *	1/2004	Kipperman et al.	D9/424
D490,309 S *	5/2004	Hayes et al.	D9/425
D536,611 S *	2/2007	Peck	D9/428

* cited by examiner

Primary Examiner—Prabhakar Deshmukh

Assistant Examiner—Derrick Holland

(74) *Attorney, Agent, or Firm*—Allen, Dyer, Doppelt,
Milbrath & Gilchrist, P.A.

(57) **CLAIM**

The ornamental design for a fresh fruit snack package, as shown and described.

DESCRIPTION

FIG. 1 is a front, top and right perspective view of a fresh fruit snack package showing my new design;

FIG. 2 is a front, bottom and left perspective view thereof;

FIG. 3 is a front elevation view thereof;

FIG. 4 is a top plan view thereof;

FIG. 5 is a rear elevation view thereof;

FIG. 6 is a bottom plan view thereof;

FIG. 7 is a left side view thereof;

FIG. 8 is a right side view thereof;

FIG. 9 is a front, top and right perspective view of an alternate embodiment of FIG. 1;

FIG. 10 is a front, bottom and left perspective view thereof;

FIG. 11 is a front elevation view thereof;

FIG. 12 is a top plan view thereof;

FIG. 13 is a rear elevation view thereof;

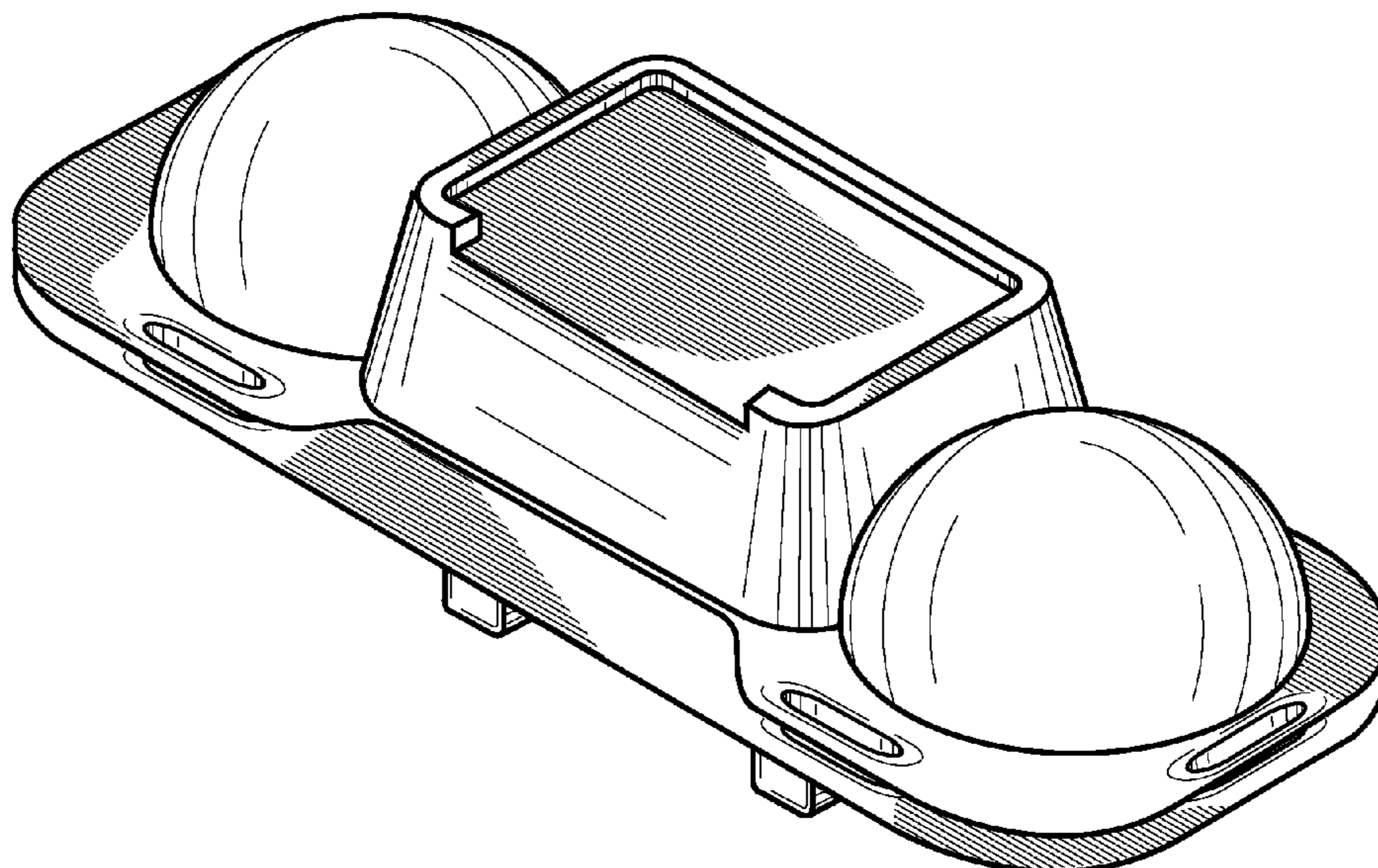
FIG. 14 is a bottom plan view thereof;

FIG. 15 is a left side view thereof; and,

FIG. 16 is a right side view thereof.

The broken lines showing in the attached drawings are for illustrative purposes only and form no part of the claimed design.

1 Claim, 6 Drawing Sheets



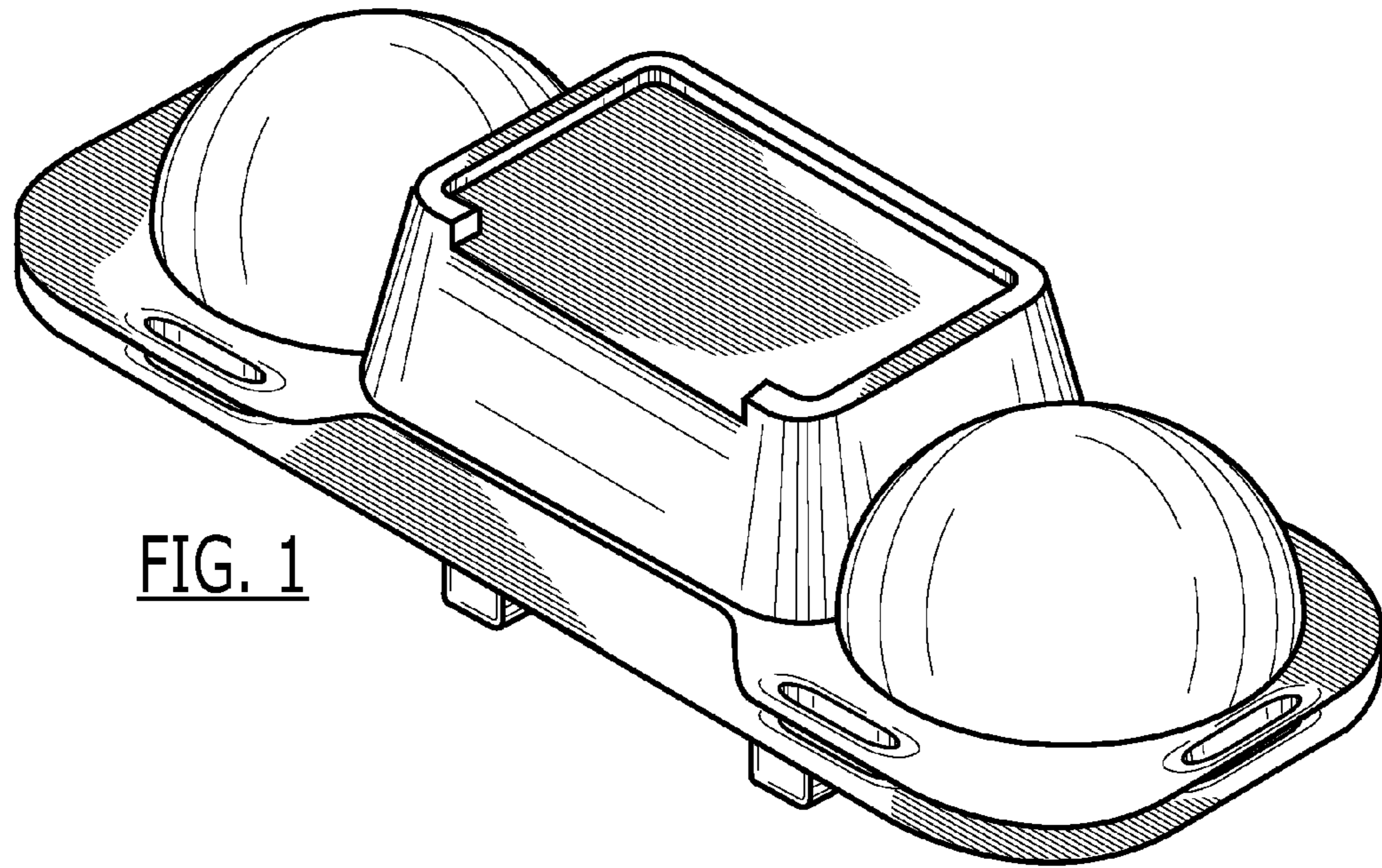


FIG. 1

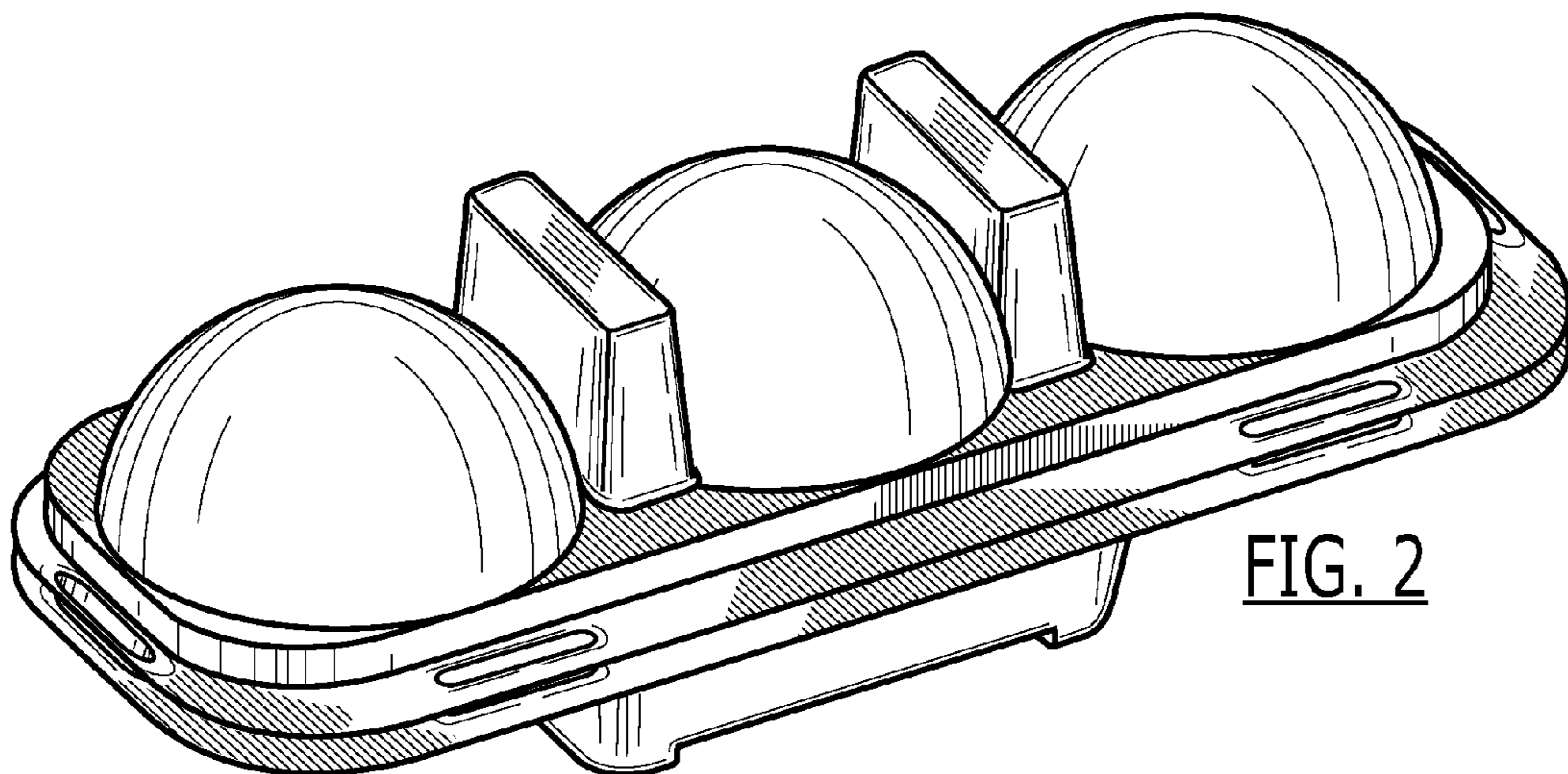


FIG. 2

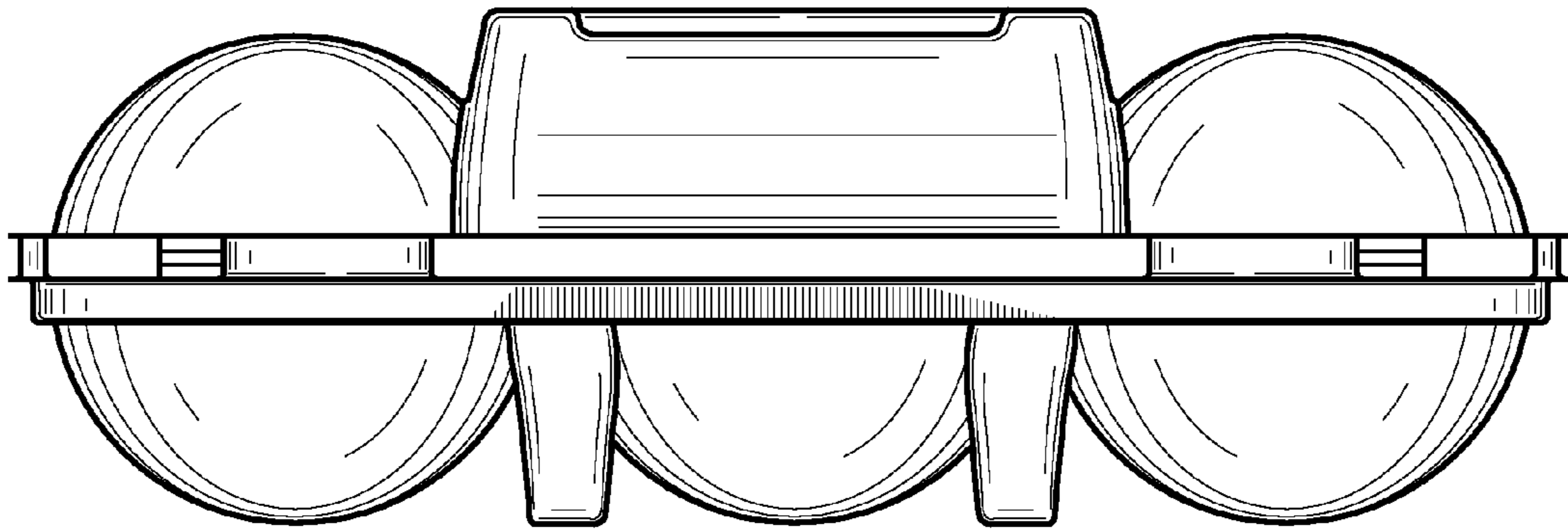


FIG. 3

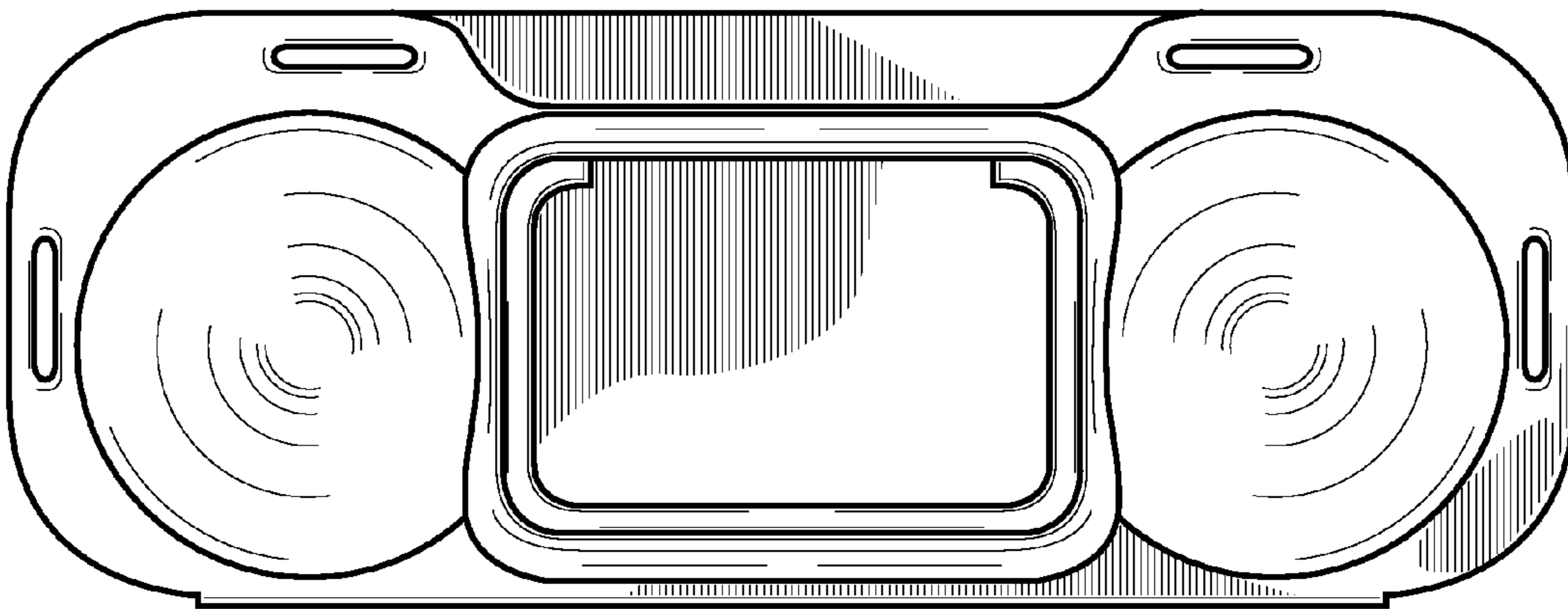


FIG. 4

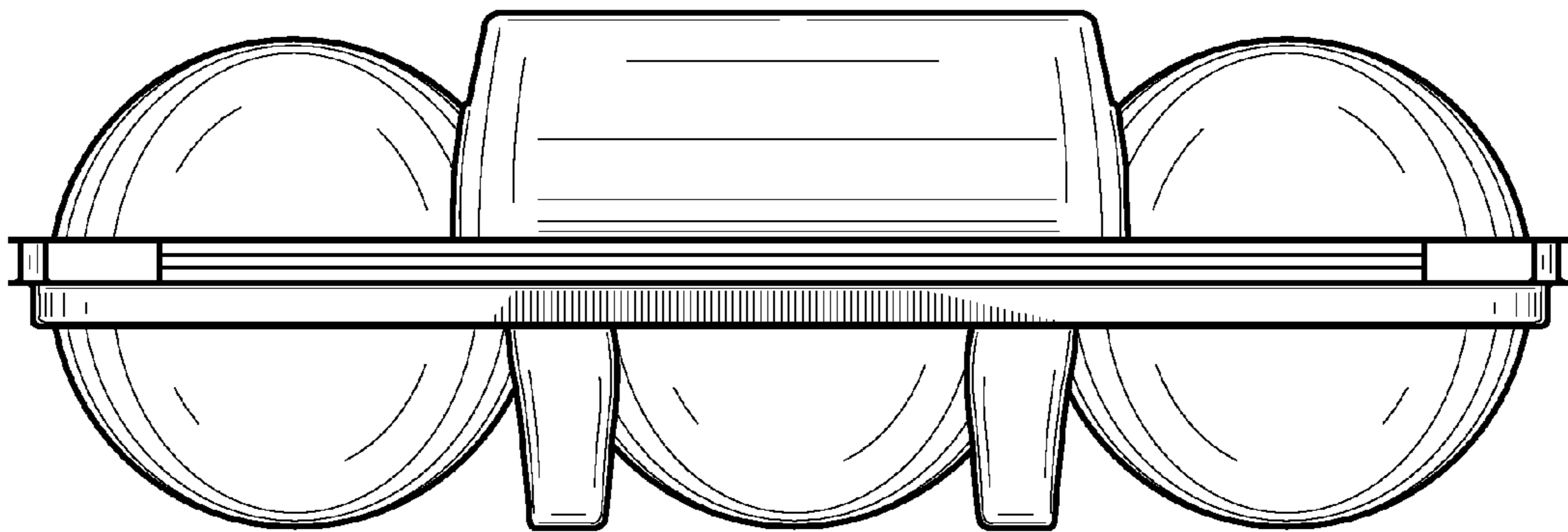


FIG. 5

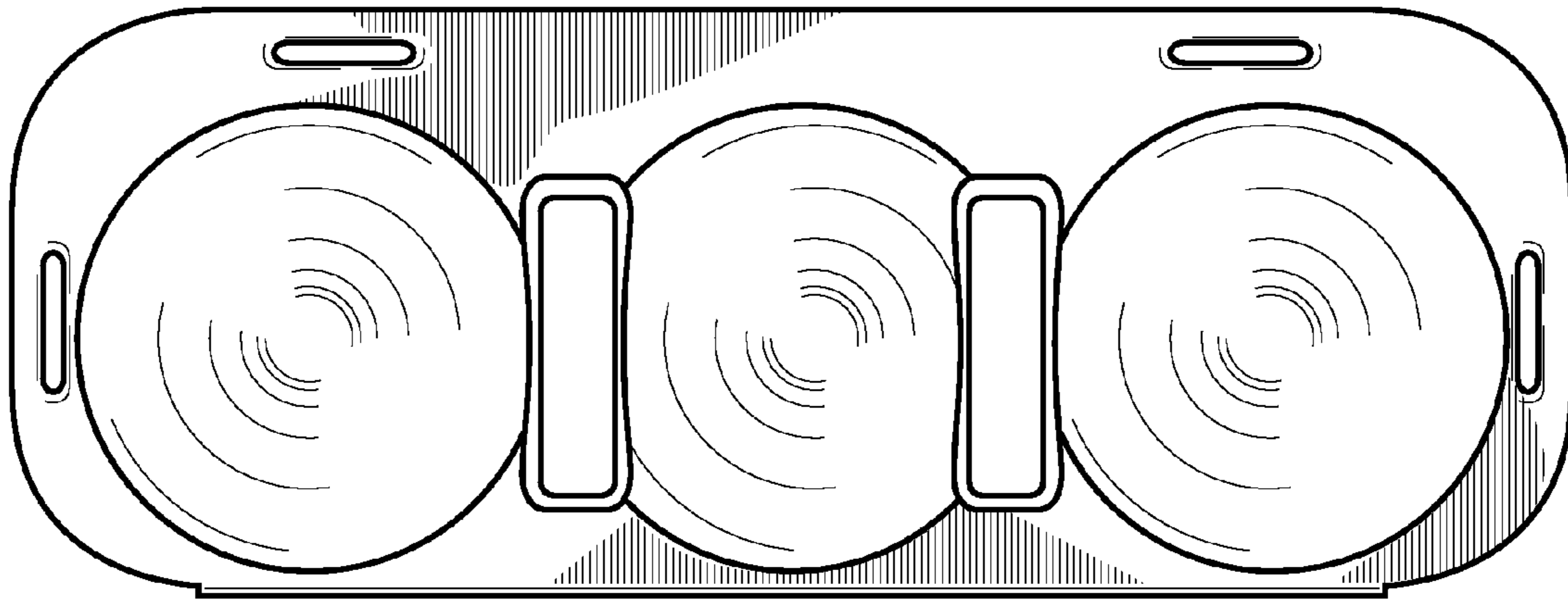


FIG. 6

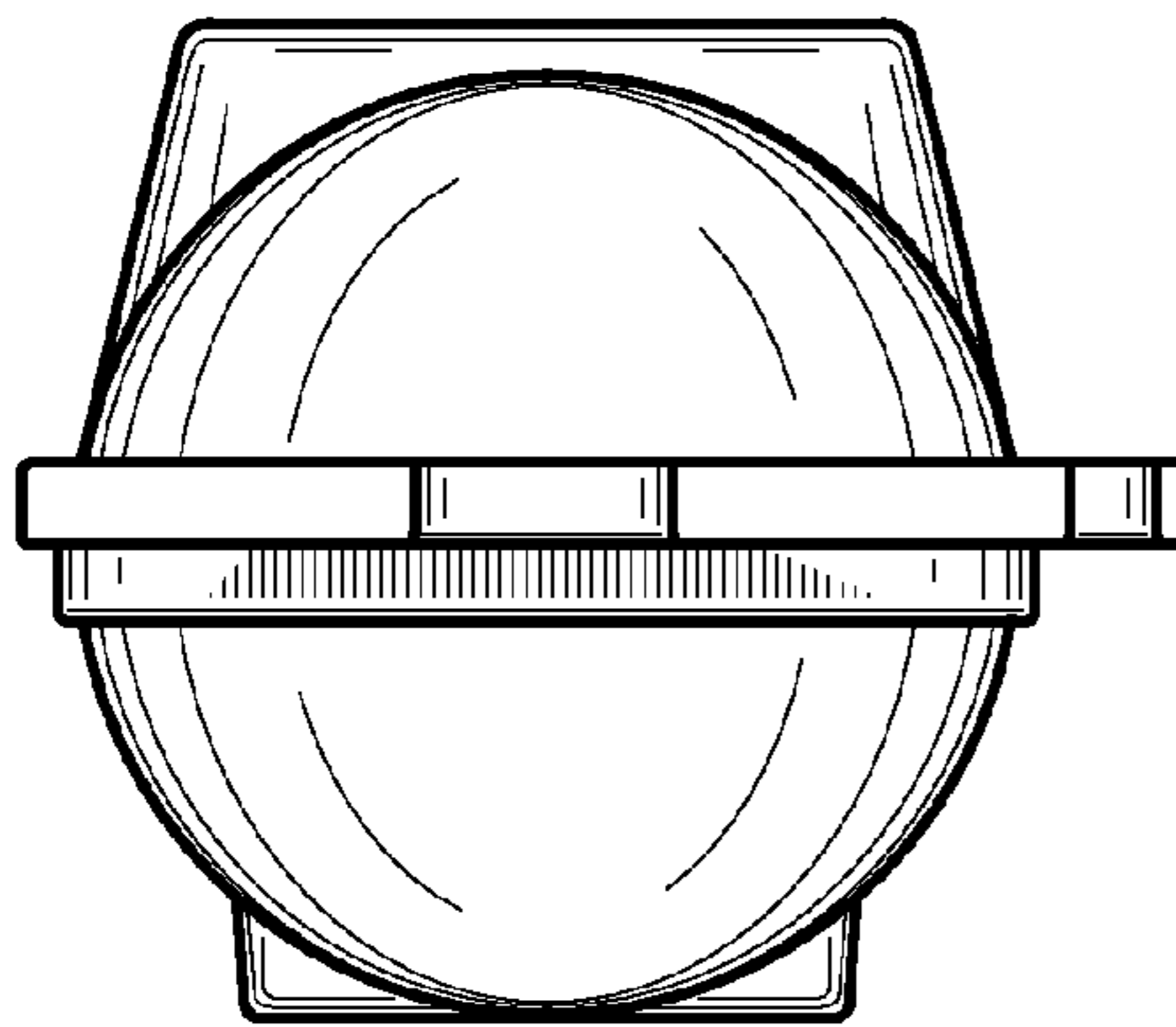


FIG. 7

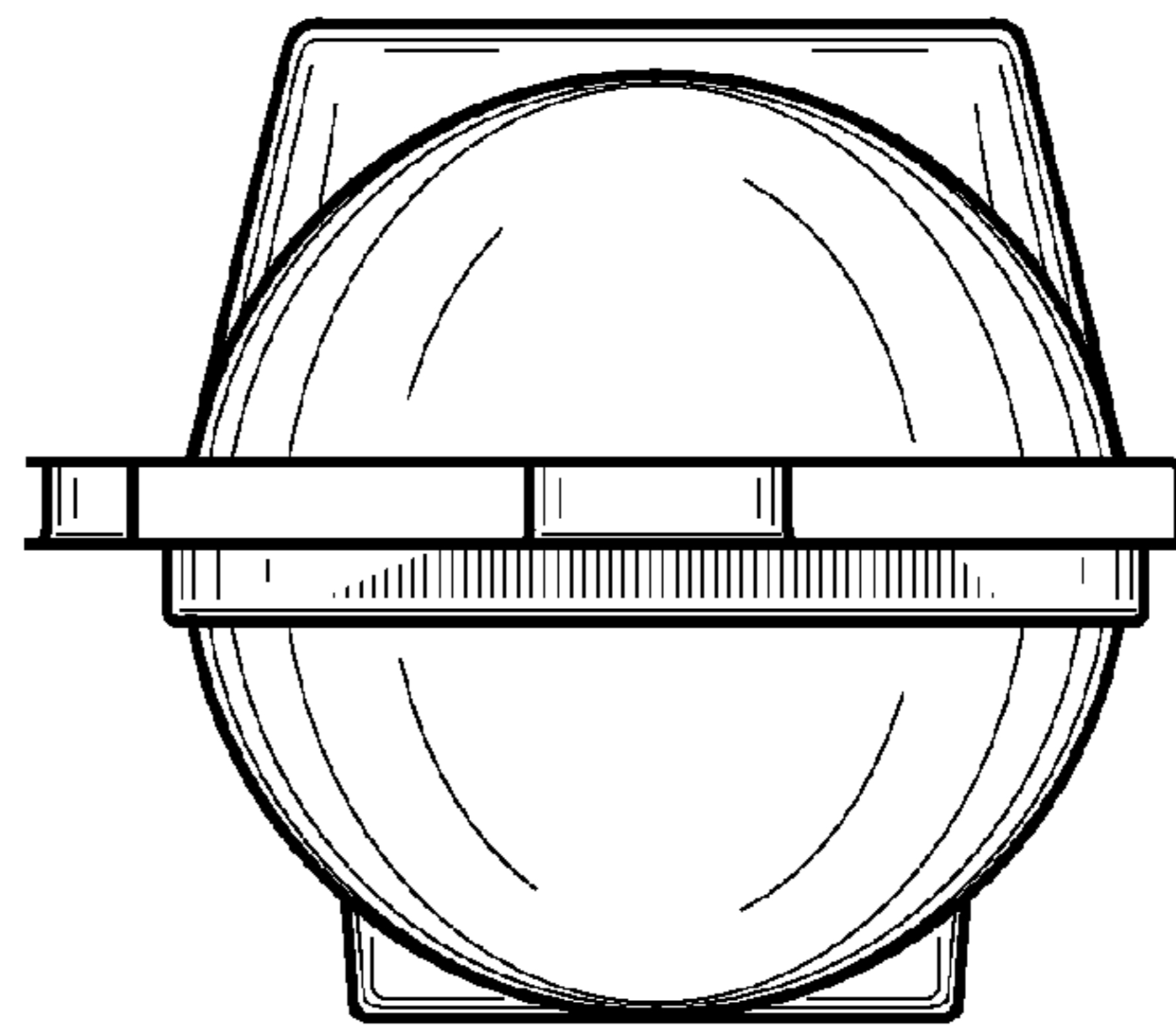


FIG. 8

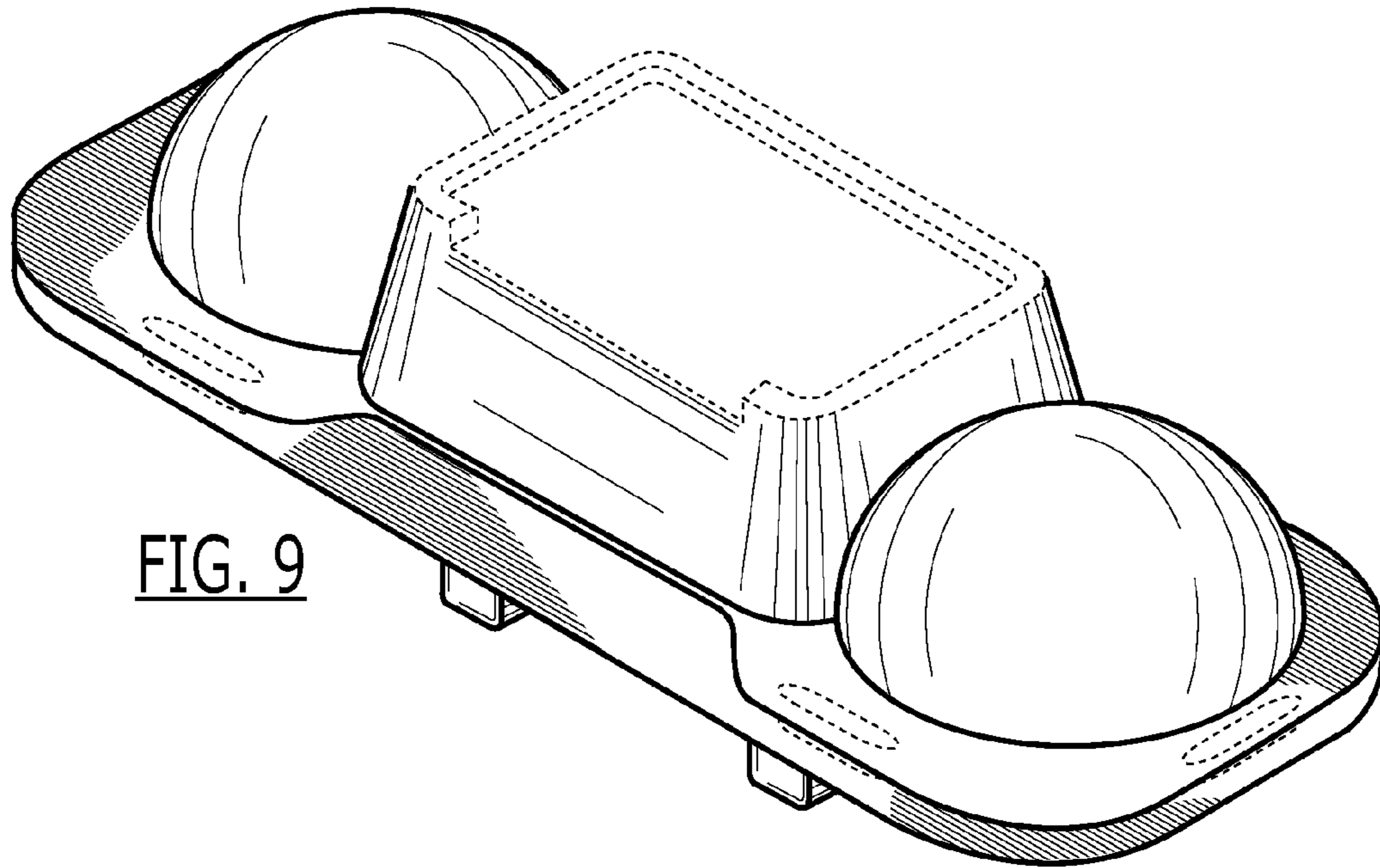


FIG. 9

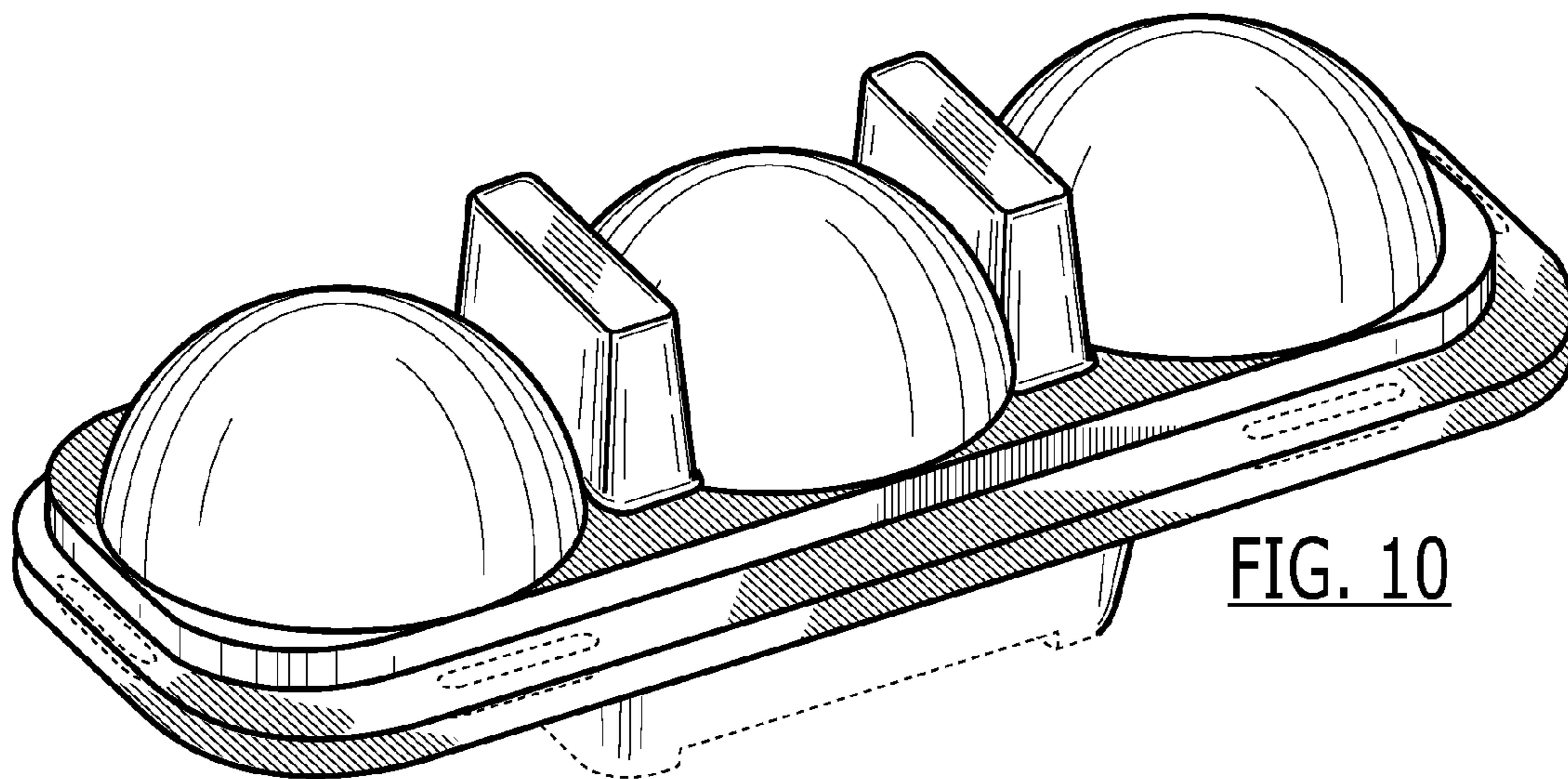


FIG. 10

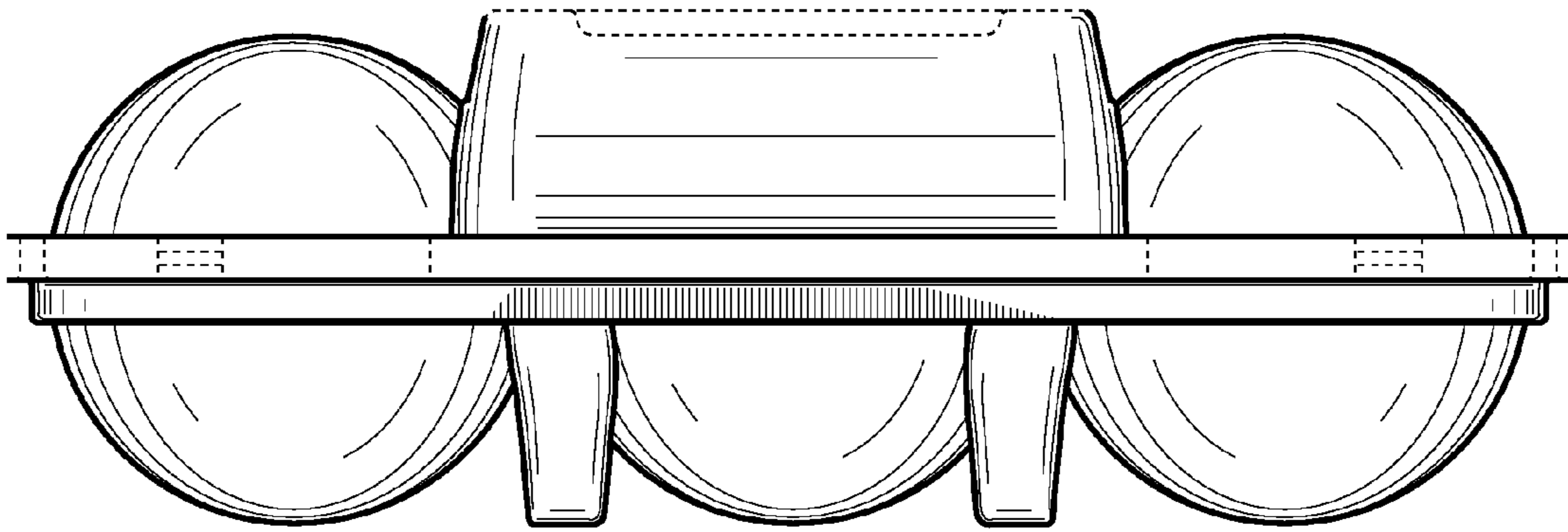


FIG. 11

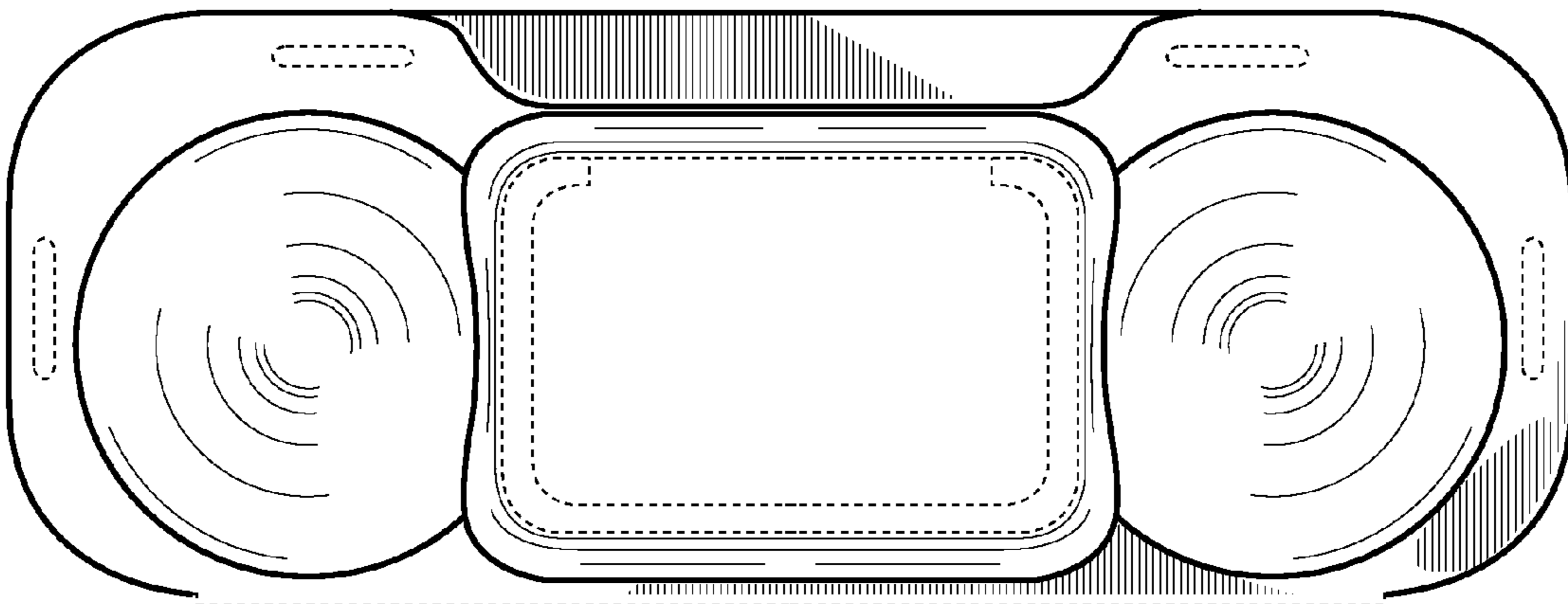


FIG. 12

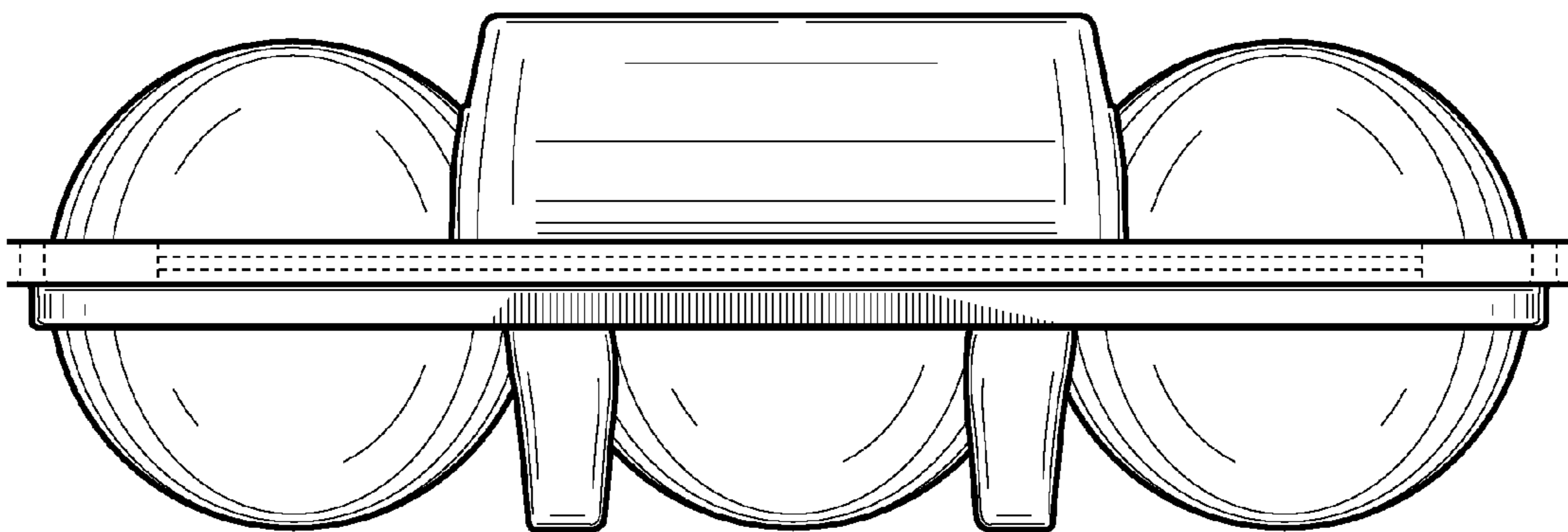


FIG. 13

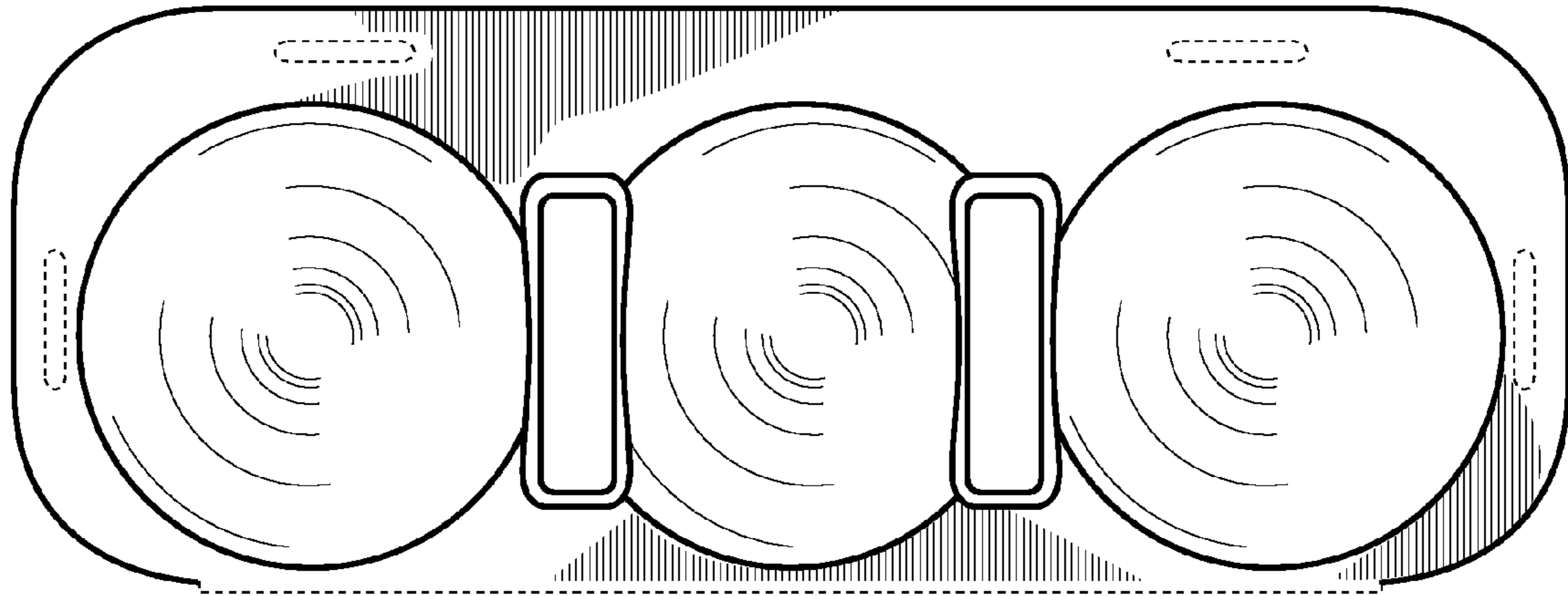


FIG. 14

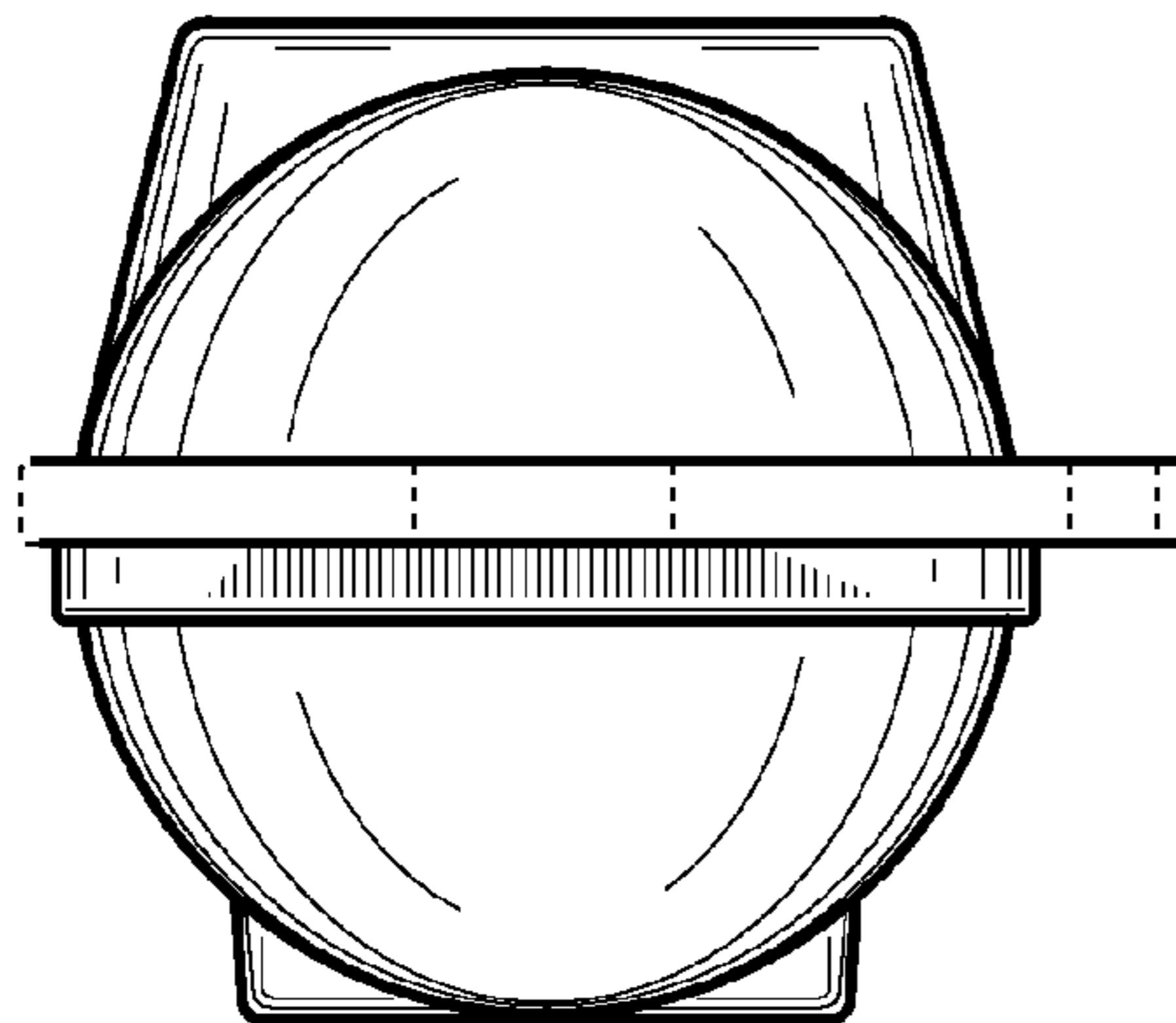


FIG. 15

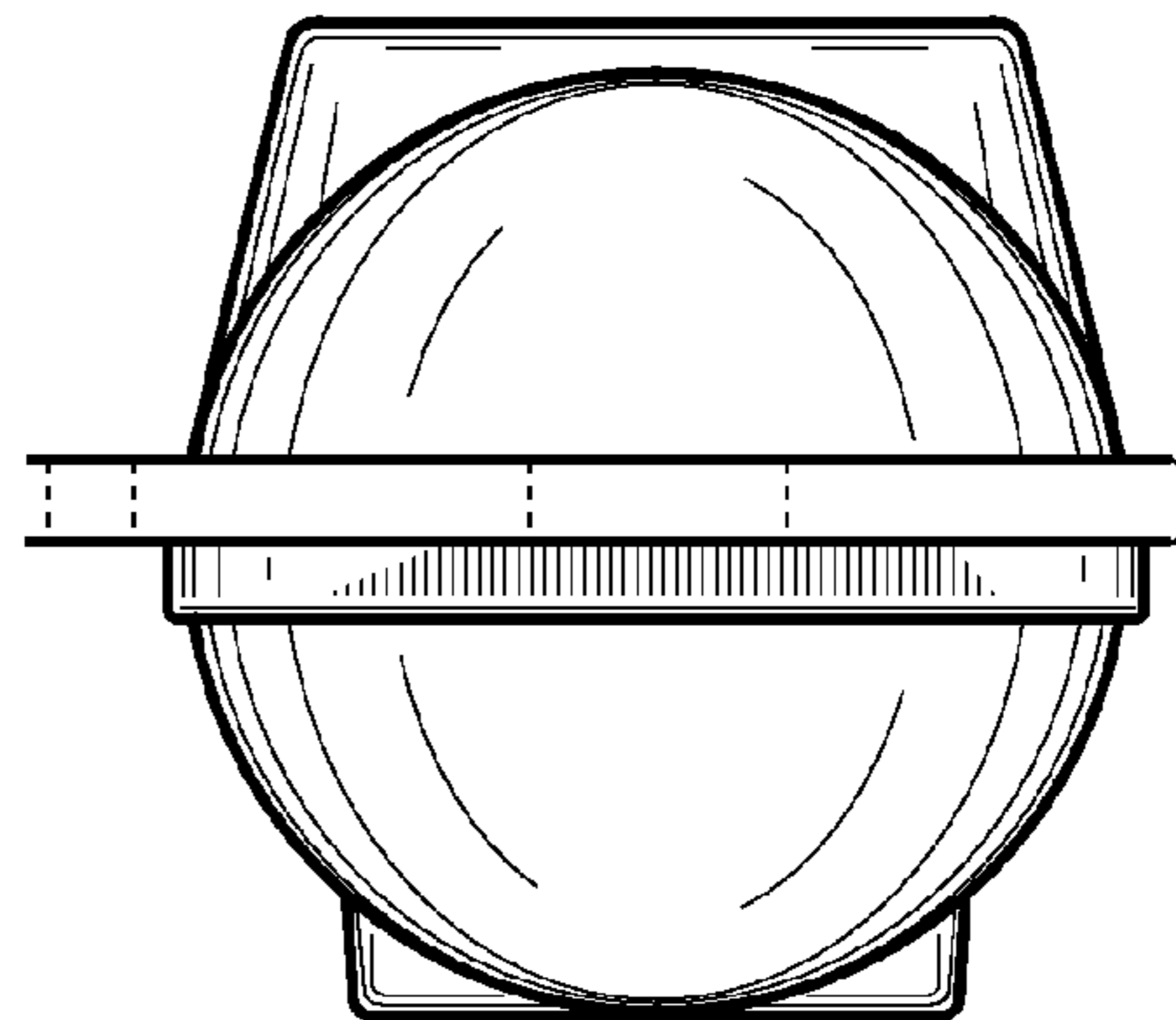


FIG. 16