



US00D584139S

(12) **United States Design Patent**  
**Himeda et al.**

(10) **Patent No.:** **US D584,139 S**  
(45) **Date of Patent:** **\*\* Jan. 6, 2009**

(54) **PACKAGING CONTAINER**

(75) Inventors: **Noriko Himeda**, Osaka (JP); **Yuji Matsumoto**, Osaka (JP); **Sayuri Nakata**, Osaka (JP)

(73) Assignee: **Panasonic Corporation**, Osaka (JP)

(\*\*) Term: **14 Years**

(21) Appl. No.: **29/308,611**

(22) Filed: **Jun. 26, 2008**

(51) **LOC (9) Cl.** ..... **09-03**

(52) **U.S. Cl.** ..... **D9/415**

(58) **Field of Classification Search** ..... D9/721,  
D9/722, 414-419, 430-433, 457; 206/294,  
206/299, 703-705, 722, 779, 781, 784, 457;  
229/100, 102.5, 106, 116.1, 117.09, 117.12,  
229/117.18, 117.23, 162.1, 162.5, 87.06,  
229/87.04, 922

See application file for complete search history.

(56) **References Cited**

**U.S. PATENT DOCUMENTS**

- D197,737 S 3/1964 Schultheiss
- 3,516,585 A 6/1970 Inwood
- D222,581 S 11/1971 Nakakuma
- 3,964,606 A \* 6/1976 Hogg et al. .... 206/395
- 4,004,565 A 1/1977 Fischer et al.
- D249,639 S 9/1978 Hogg et al.
- 4,415,084 A 11/1983 Hauser et al.
- 4,450,961 A 5/1984 Bies et al.
- 4,531,637 A 7/1985 Cusmano
- D280,466 S 9/1985 Seltzer et al.
- D302,661 S 8/1989 Calcerano et al.
- D302,662 S 8/1989 Calcerano et al.
- D308,784 S 6/1990 Liptak
- 4,958,731 A 9/1990 Calcerano
- 5,005,701 A \* 4/1991 Dutcher ..... 206/775

- 5,029,705 A 7/1991 Schmidt et al.
- 5,143,215 A 9/1992 Hartley et al.
- 5,145,062 A \* 9/1992 Crispi ..... 206/233
- D332,744 S 1/1993 McCooley

(Continued)

**FOREIGN PATENT DOCUMENTS**

JP D823133 11/1991

(Continued)

*Primary Examiner*—Catherine Tuttle

(74) *Attorney, Agent, or Firm*—Brinks Hofer Gilson & Lione

(57) **CLAIM**

We claim the ornamental design for a packaging container, as shown and described.

**DESCRIPTION**

The file of this patent contains at least one drawing/photograph executed in color. Copies of this patent with color drawing(s)/photograph(s) will be provided by the United States Patent and Trademark Office upon request and payment of the necessary fee.

FIG. 1 is a front perspective view of a packaging container showing my new design;

FIG. 2 is a front elevation view thereof;

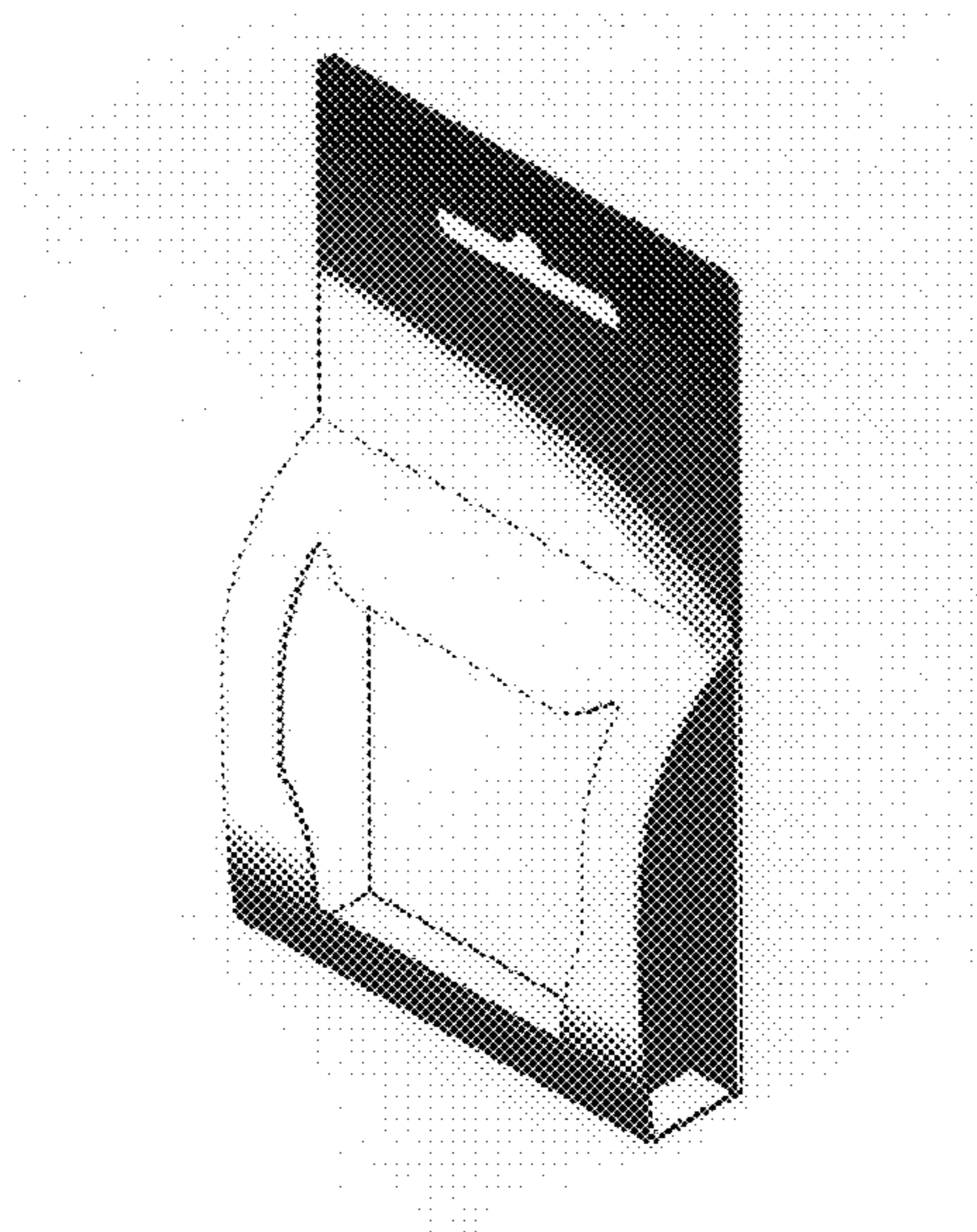
FIG. 3 is a rear elevation view thereof;

FIG. 4 is a right elevation view thereof, wherein the left view is a mirror image thereof;

FIG. 5 is a top plan view thereof; and,

FIG. 6 is a bottom plan view thereof.

**1 Claim, 3 Drawing Sheets**  
**(3 of 3 Drawing Sheet(s) Filed in Color)**



# US D584,139 S

Page 2

## U.S. PATENT DOCUMENTS

5,429,233 A 7/1995 Juaristi  
5,697,502 A \* 12/1997 Linz ..... 206/779  
5,735,404 A 4/1998 Kumakura et al.  
D394,207 S 5/1998 Waterbury et al.  
5,816,408 A 10/1998 Indelicato  
D408,732 S 4/1999 Gaffney et al.  
D410,384 S 6/1999 Gaffney et al.  
D411,102 S \* 6/1999 Planchard ..... D9/415  
5,947,297 A 9/1999 Aoki et al.  
6,029,818 A 2/2000 Kumakura et al.  
6,050,415 A 4/2000 Lind et al.  
D426,041 S 5/2000 Boghossian  
6,070,724 A 6/2000 McCool  
D427,523 S 7/2000 Calcerano  
D428,335 S \* 7/2000 Toyota et al. .... D9/432  
D429,637 S 8/2000 Kumakura et al.  
D430,488 S \* 9/2000 Ito et al. .... D9/415  
D433,936 S 11/2000 Pirro et al.  
D434,654 S 12/2000 McCool  
D443,204 S 6/2001 Garrant et al.  
D450,239 S 11/2001 Otto  
D480,963 S 10/2003 Lee  
D489,253 S 5/2004 Kumakura et al.

D494,464 S 8/2004 Kumakura et al.  
D497,547 S 10/2004 Kumakura et al.  
6,854,597 B1 \* 2/2005 Ali et al. .... 206/349  
D520,868 S 5/2006 Tada  
D524,652 S \* 7/2006 Harada et al. .... D9/457  
D524,654 S \* 7/2006 Harada et al. .... D9/457  
D562,692 S \* 2/2008 Norton et al. .... D9/649  
2006/0113215 A1 \* 6/2006 Clements et al. .... 206/779

## FOREIGN PATENT DOCUMENTS

JP D859296 1/1993  
JP D859297 1/1993  
JP D859298 1/1993  
JP D859299 1/1993  
JP D859296/1 4/1993  
JP D866658 4/1993  
JP D866658/1 5/1993  
JP D866658/3 9/1993  
JP D969072 11/1996  
JP D1001716 1/1998  
JP D1238296 5/2005  
JP D1245780 7/2005

\* cited by examiner

FIG. 1

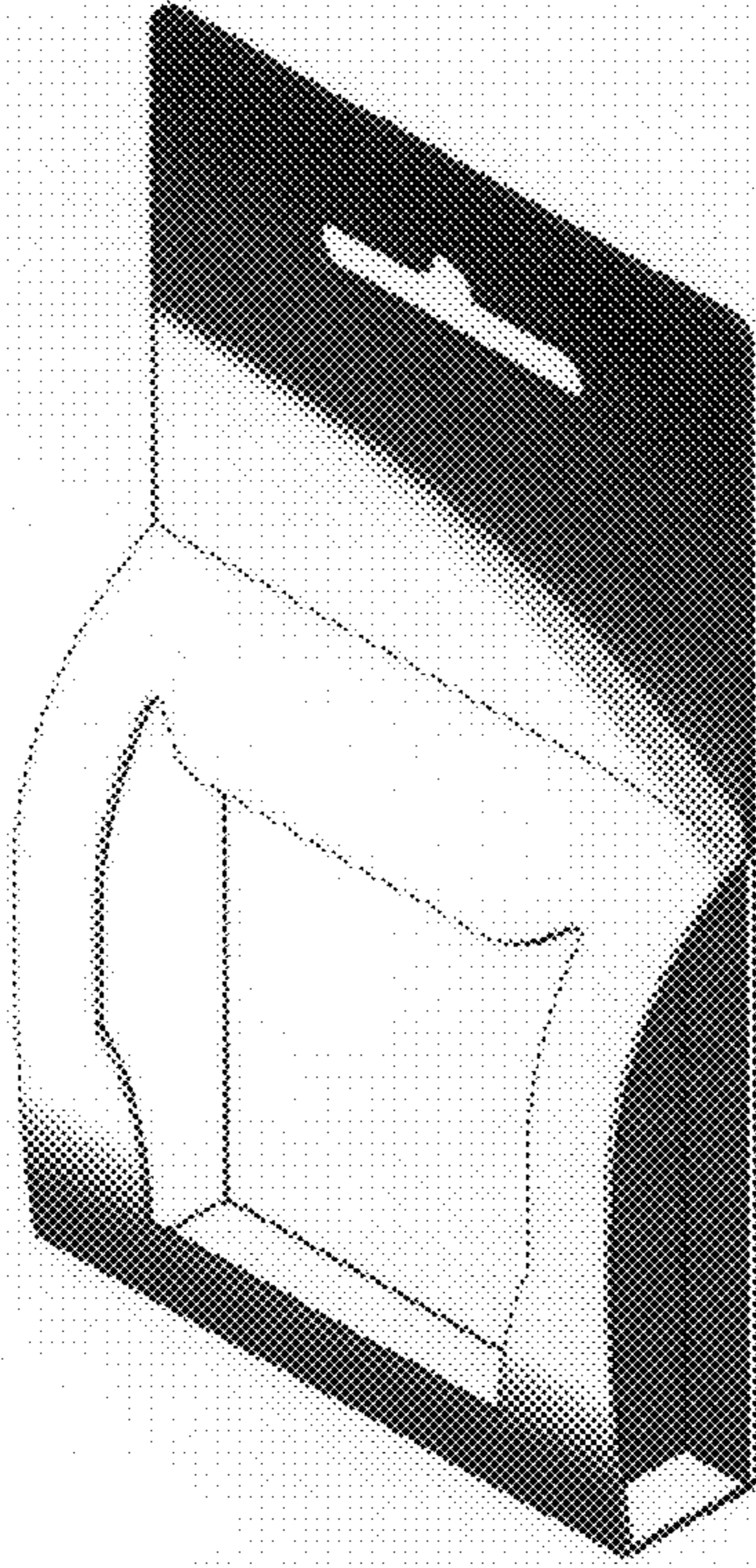


FIG. 2

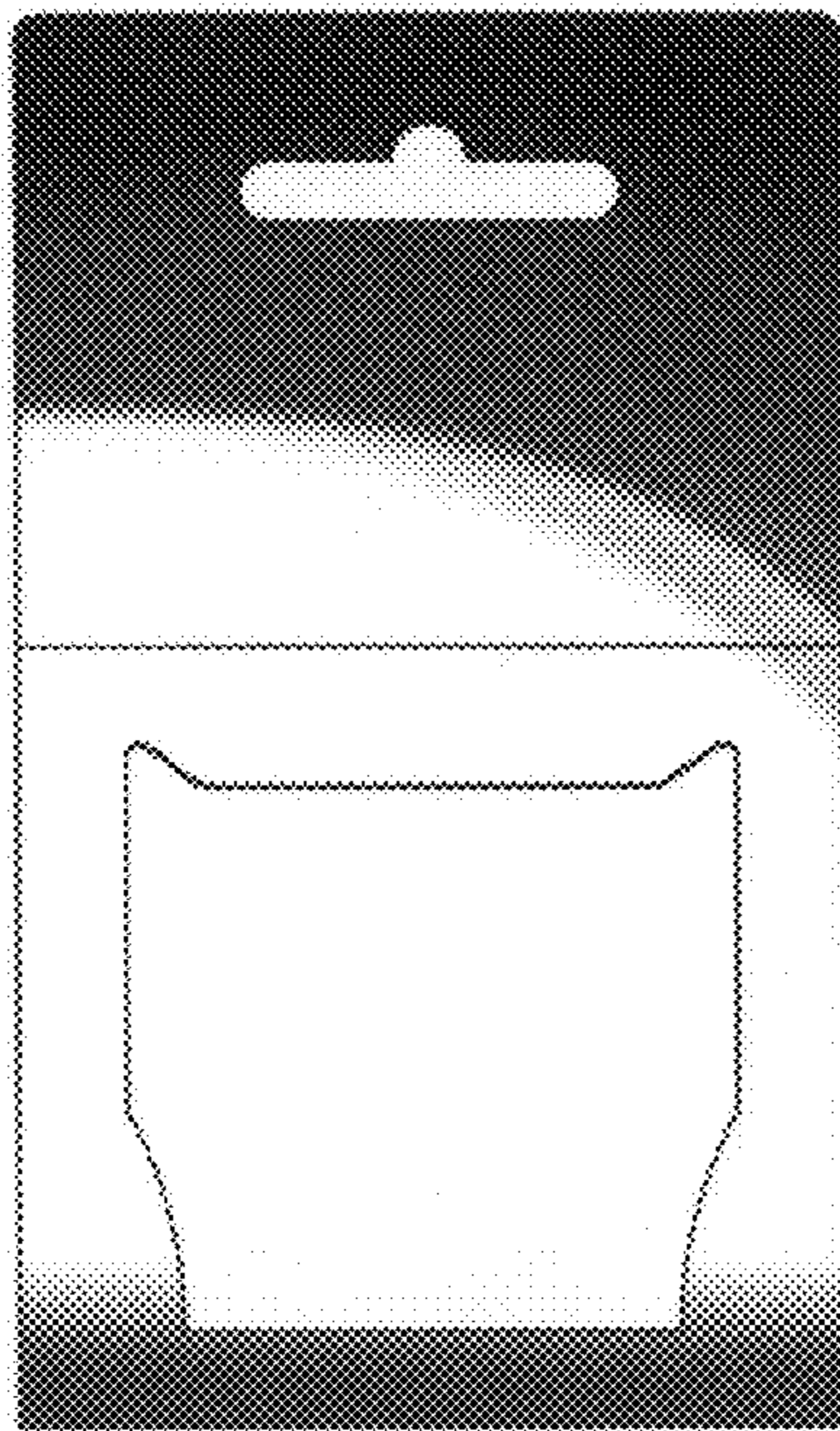


FIG. 3

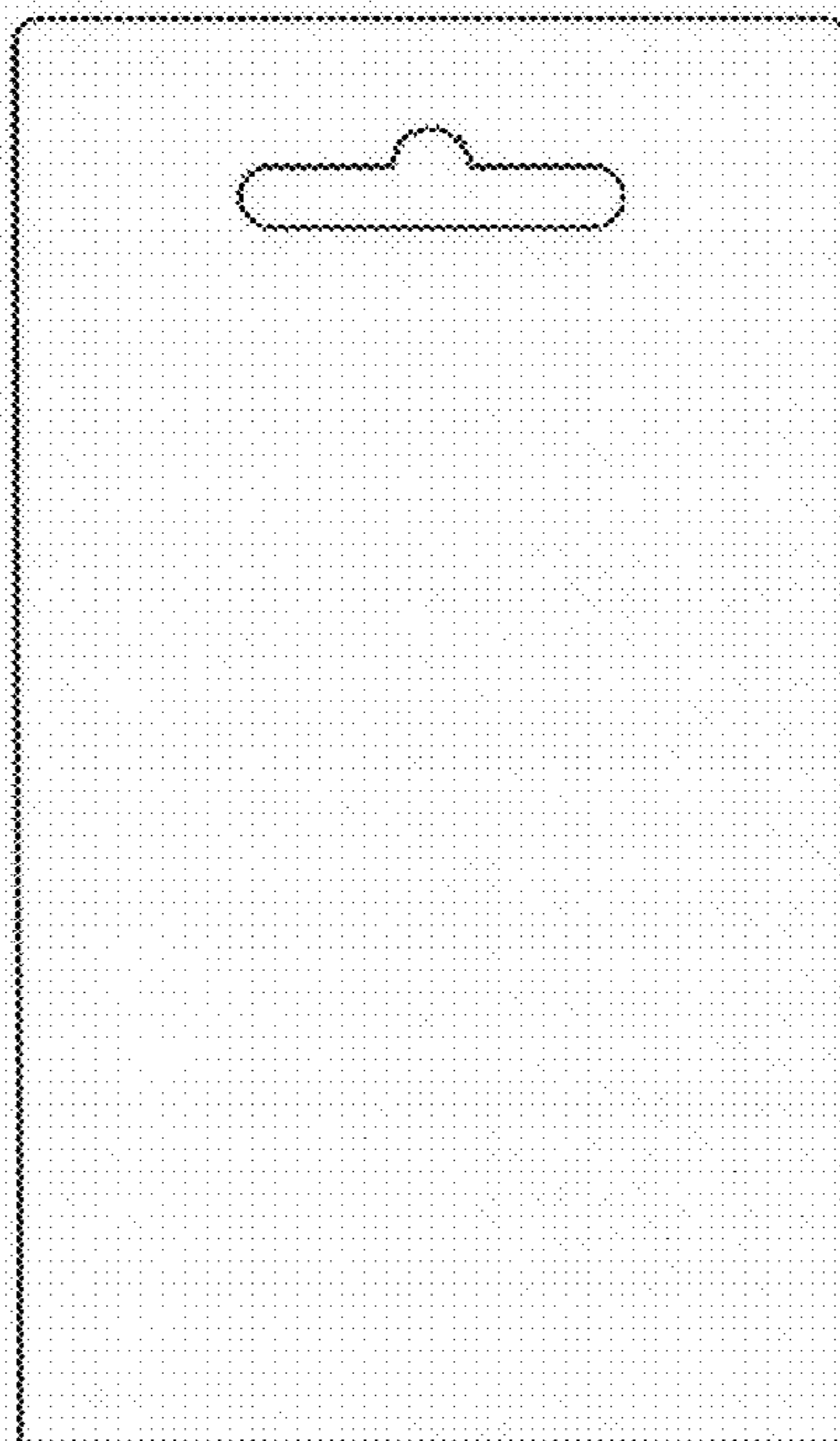


FIG. 4



FIG. 5

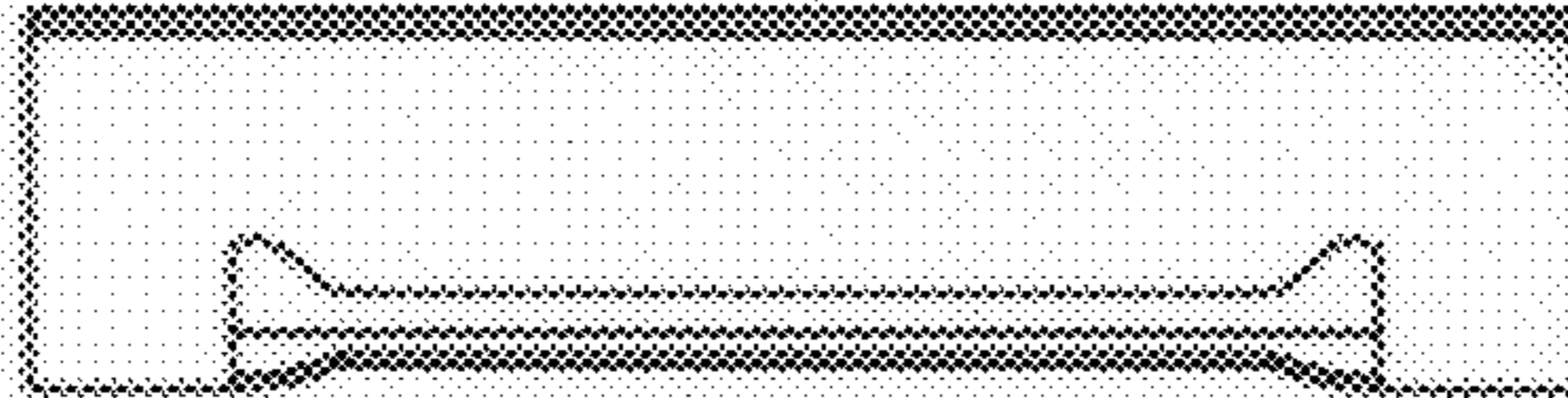


FIG. 6

