



US00D584138S

(12) **United States Design Patent**
Laforteza et al.

(10) **Patent No.:** **US D584,138 S**
(45) **Date of Patent:** **** Jan. 6, 2009**

(54) **FLASHLIGHT PACKAGE**

(75) Inventors: **Paul Laforteza**, New York, NY (US);
Joann Jablonski, Mamaroneck, NY
(US); **Jana Frankova**, Norwalk, CT
(US); **David Genna**, Thiells, NY (US);
Brad Fountain, New York, NY (US);
David Moy, Putnam Valley, NY (US)

(73) Assignee: **The Gillette Company**, Boston, MA
(US)

(**) Term: **14 Years**

(21) Appl. No.: **29/308,129**

(22) Filed: **May 29, 2008**

(51) **LOC (9) Cl.** **09-03**

(52) **U.S. Cl.** **D9/415**

(58) **Field of Classification Search** D9/653,
D9/722, 414, 415, 416, 418, 419, 424, 425;
206/461-471, 316.1, 327, 349-553, 576,
206/207, 446, 806

See application file for complete search history.

(56) **References Cited**

U.S. PATENT DOCUMENTS

2,983,368	A *	5/1961	Lugt, Jr.	206/470
3,338,400	A *	8/1967	Edgworth et al.	206/363
4,046,251	A *	9/1977	Bruml	206/780
4,171,050	A *	10/1979	Murray et al.	206/463
4,354,598	A	10/1982	Schillinger	
4,549,654	A *	10/1985	Tiesman	206/486
D282,822	S	3/1986	Noyes	
D298,607	S *	11/1988	Didia	D9/415
5,048,677	A	9/1991	Pedracine	
5,289,917	A	3/1994	Chabria	

5,392,919	A	2/1995	Passamoni	
D434,315	S *	11/2000	Clarke	D9/415
D456,252	S	4/2002	Weil	
6,398,026	B1	6/2002	Parsons	
D462,615	S	9/2002	Weil	
D504,811	S *	5/2005	Haingaertner	D9/415
D511,680	S	11/2005	Zaborski	
D519,026	S *	4/2006	Shing	D9/415
7,111,726	B1	9/2006	Parsons	
7,392,906	B2 *	7/2008	Yu	206/471
2007/0125672	A1 *	6/2007	Epling	206/316.1
2007/0206385	A1 *	9/2007	Opolka	362/394

* cited by examiner

Primary Examiner—Catherine Tuttle

(74) *Attorney, Agent, or Firm*—Kevin C. Johnson

(57) **CLAIM**

The ornamental design for a flashlight package, as shown and described.

DESCRIPTION

FIG. 1 is a perspective view of a flashlight package showing our new design;

FIG. 2 is a front elevational view thereof;

FIG. 3 is a rear elevational view thereof;

FIG. 4 is a right side elevational view thereof;

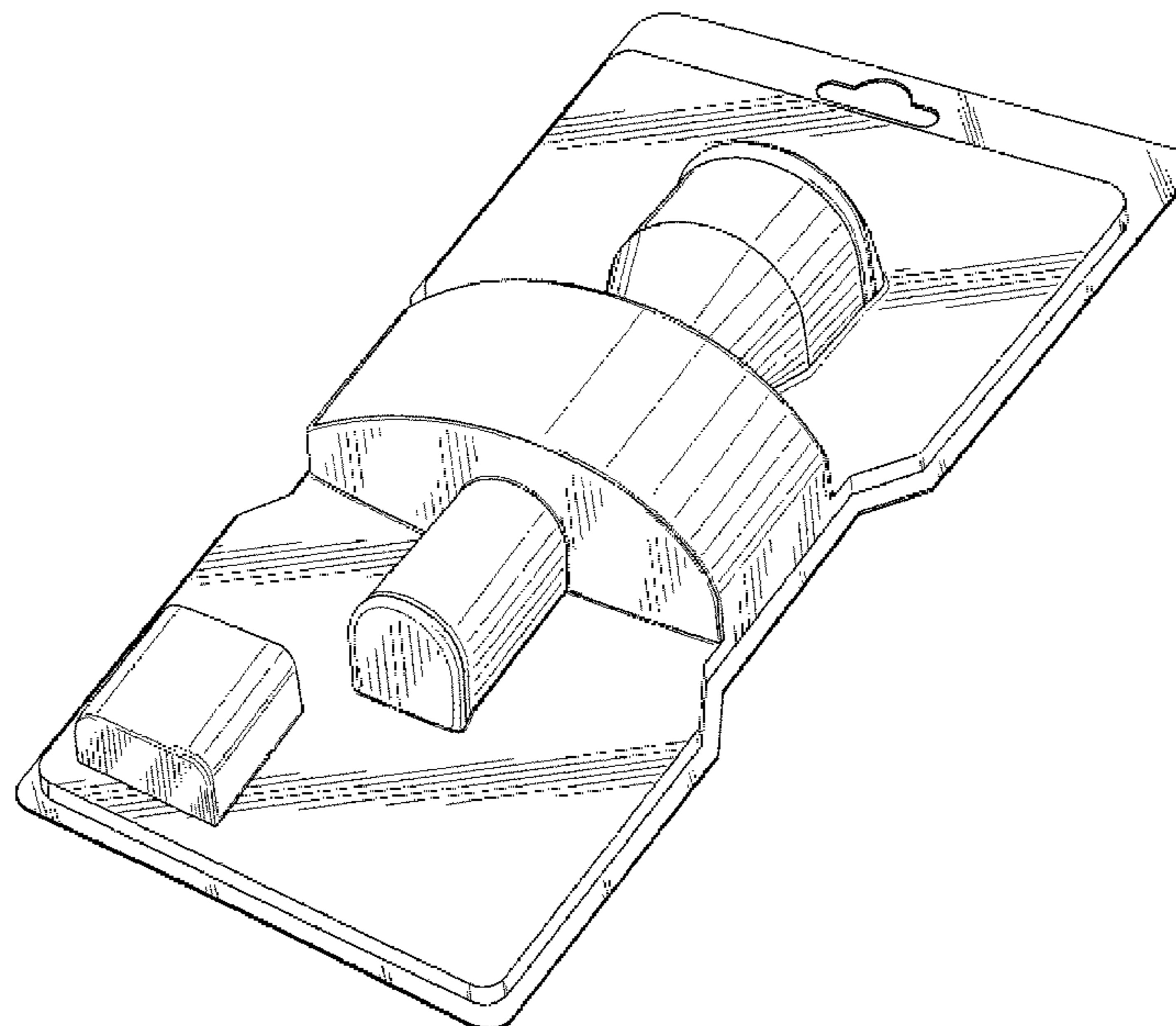
FIG. 5 is a left side elevational view thereof

FIG. 6 is a top plan view thereof; and,

FIG. 7 is a bottom plan view thereof.

The broken lines in FIG. 3 are included for the purpose of illustrating portions of the flashlight package that form no part of the claimed design.

1 Claim, 5 Drawing Sheets



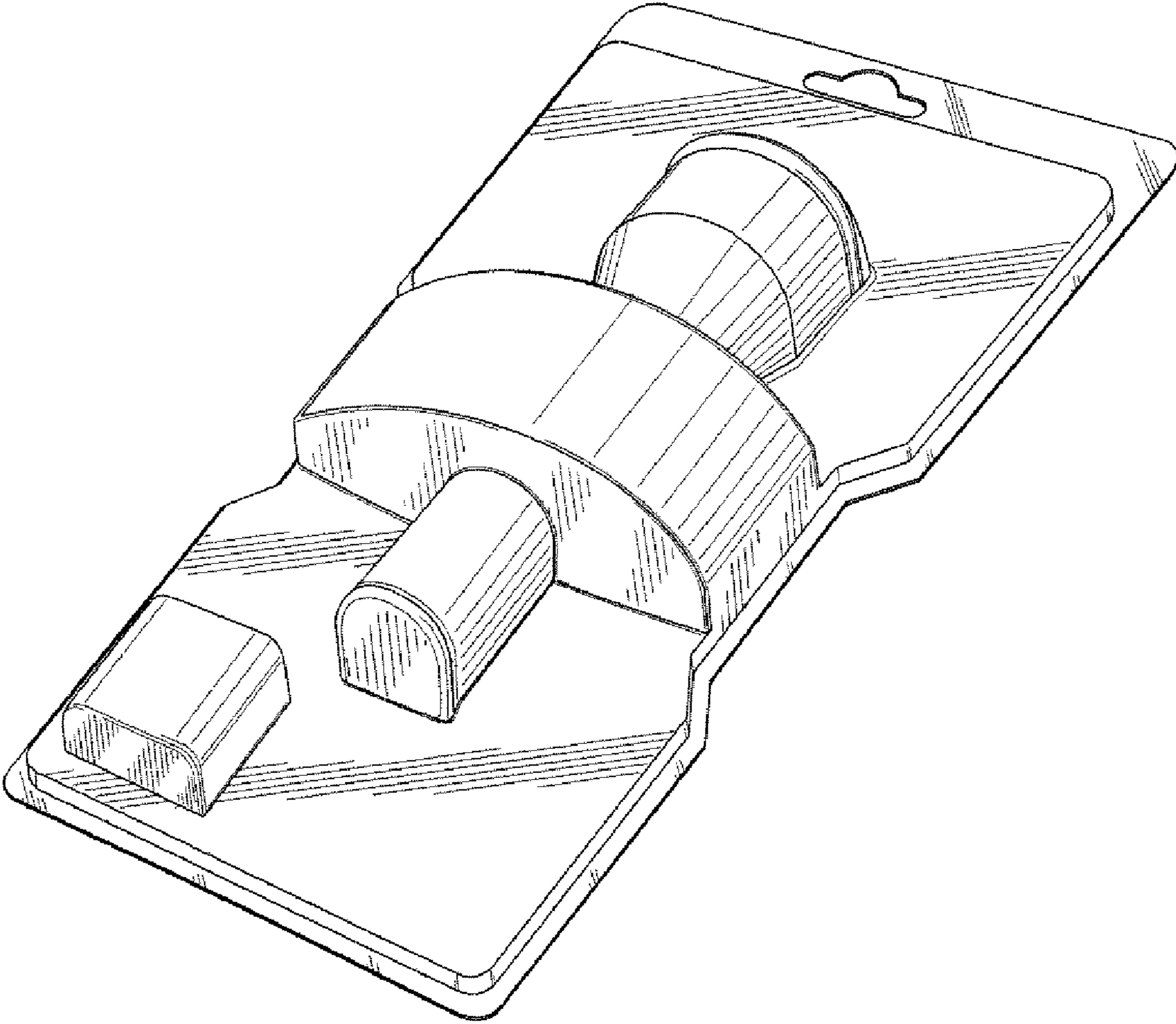


Fig. 1

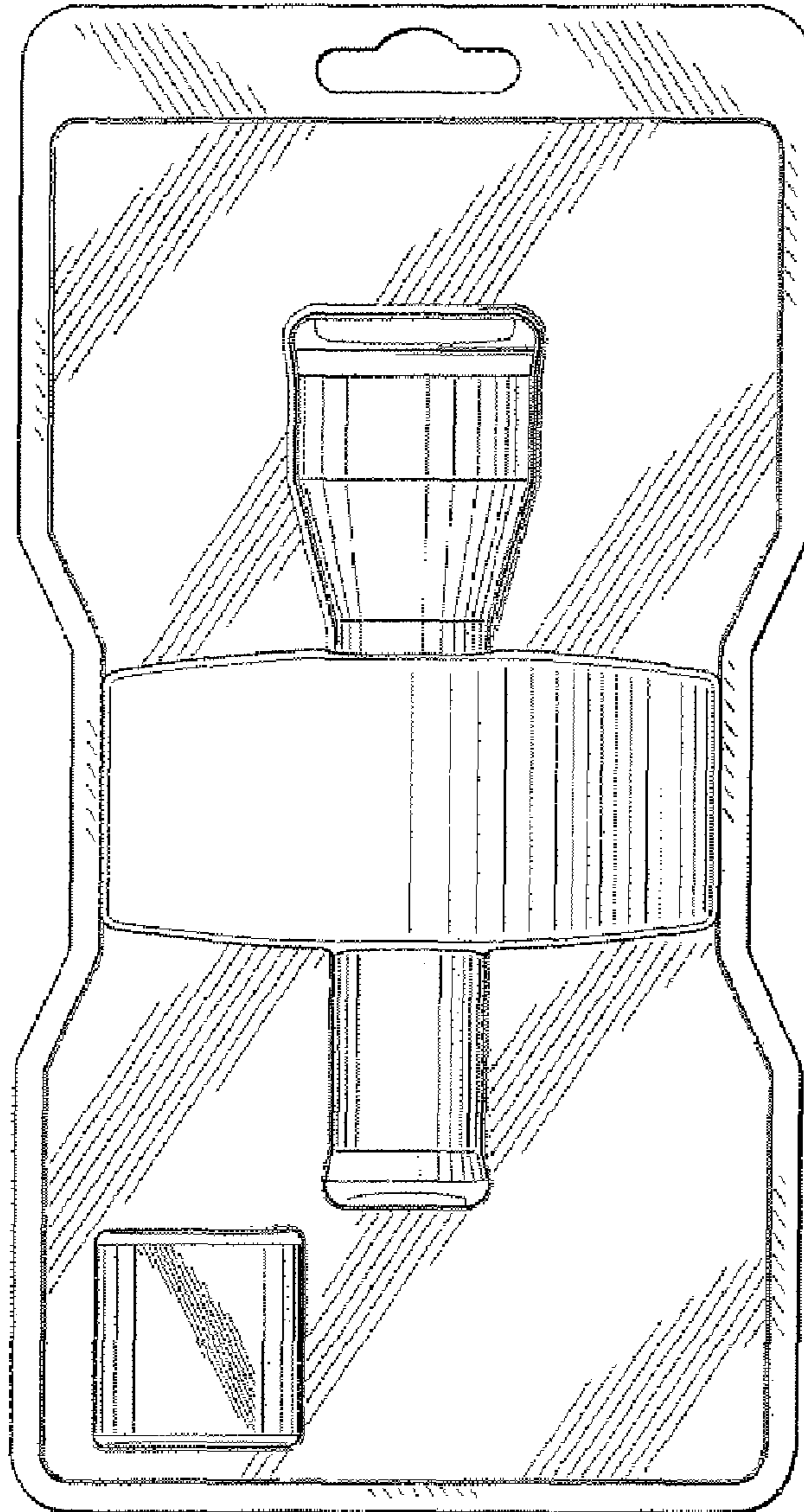


Fig. 2

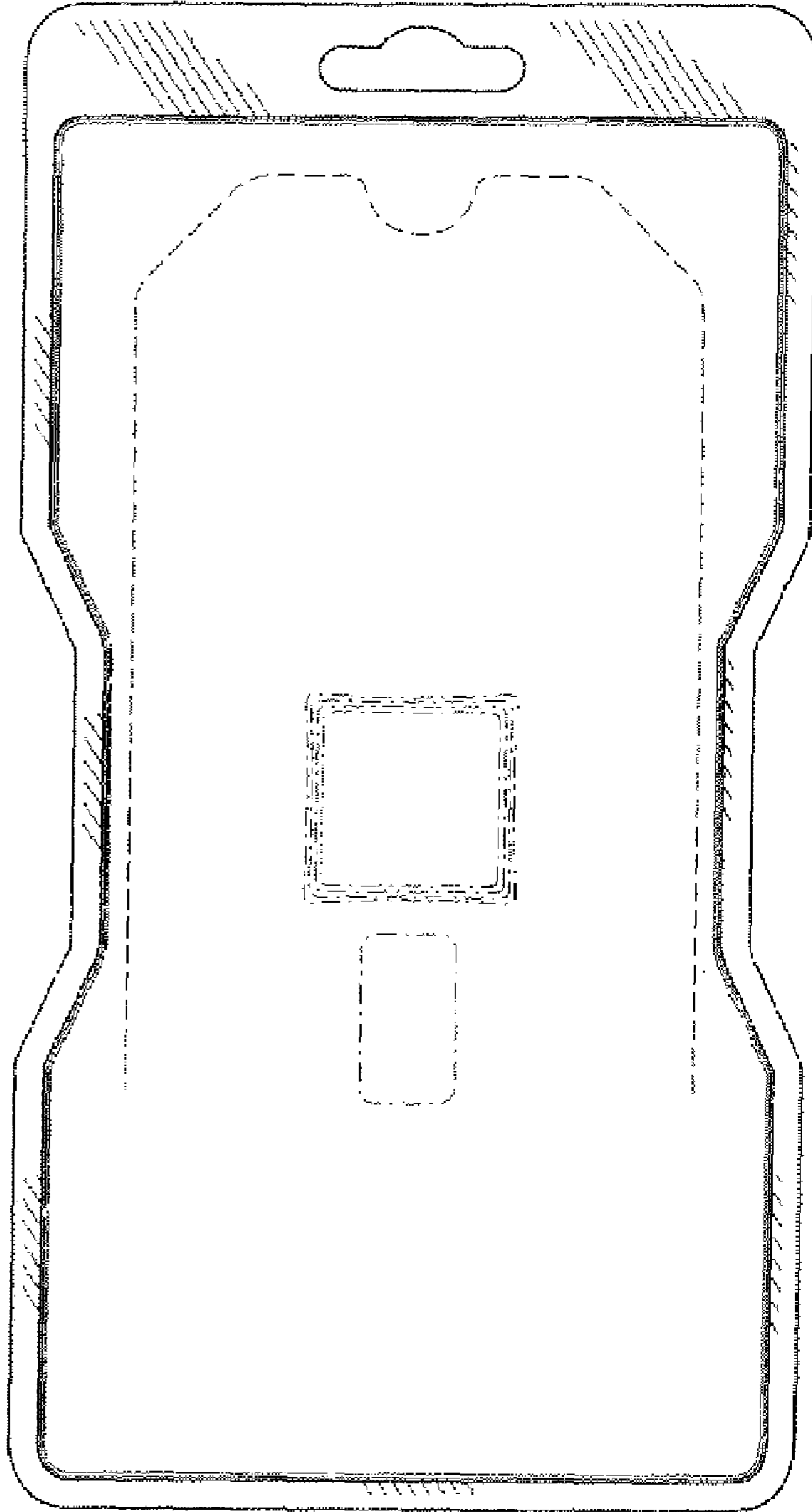


Fig. 3

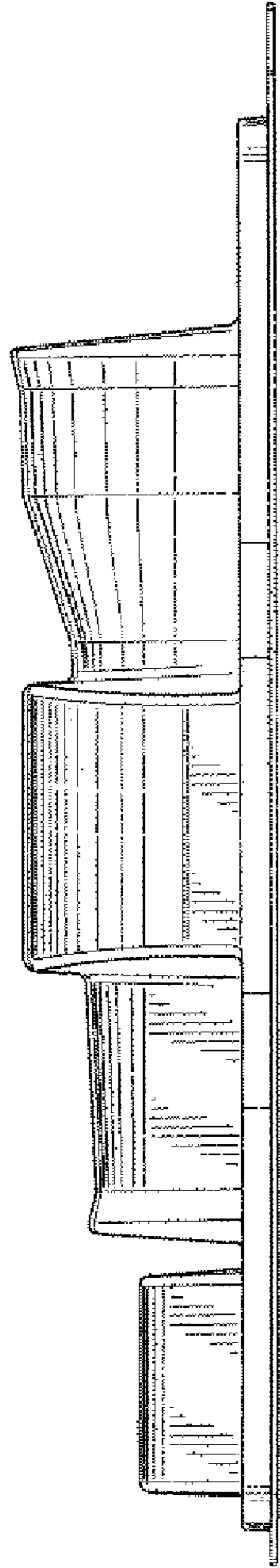


Fig. 4

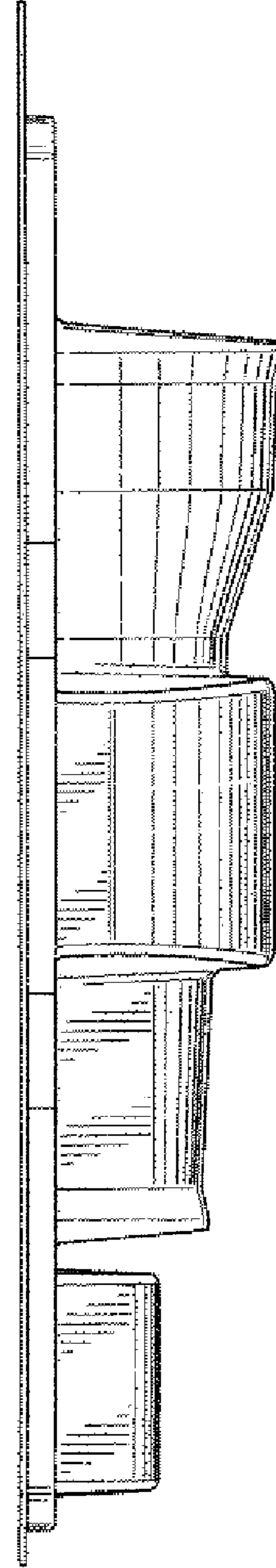


Fig. 5

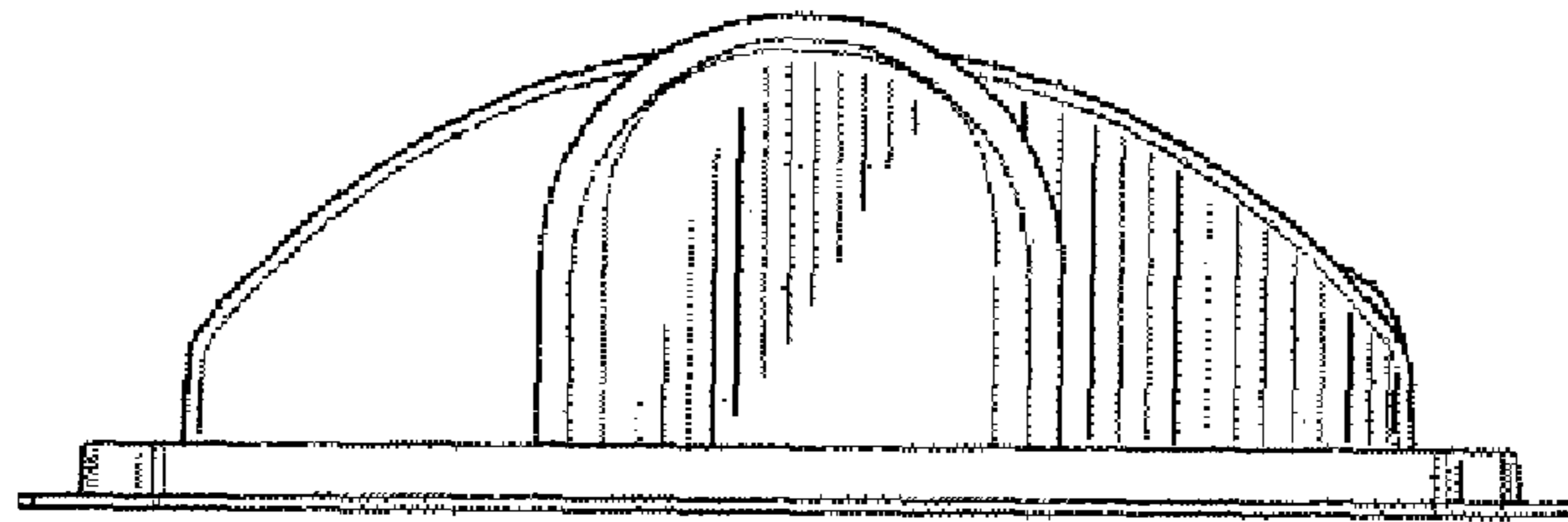


Fig. 6

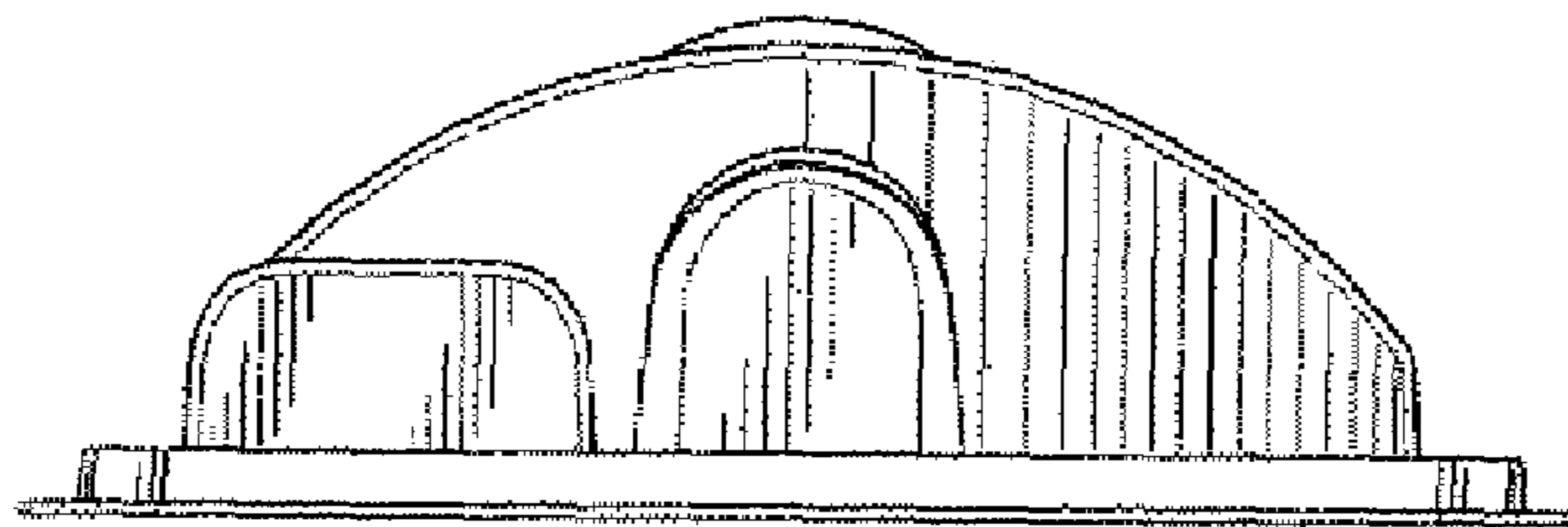


Fig. 7