



US00D584137S

(12) **United States Design Patent**
Edge, Jr.

(10) **Patent No.:** **US D584,137 S**

(45) **Date of Patent:** **** Jan. 6, 2009**

(54) **BOLT**

(76) **Inventor:** **James W. Edge, Jr.**, 314 Drew St.,
Baltimore, MD (US) 21224

(**) **Term:** **14 Years**

(21) **Appl. No.:** **29/292,238**

(22) **Filed:** **Oct. 3, 2007**

(51) **LOC (9) Cl.** **08-08**

(52) **U.S. Cl.** **D8/387**

(58) **Field of Classification Search** D8/387,
D8/388; 411/378, 393, 402, 411
See application file for complete search history.

(56) **References Cited**

U.S. PATENT DOCUMENTS

- 2,322,811 A * 6/1943 Ball 411/378
- D233,735 S * 11/1974 Yamamoto D8/387
- D242,117 S * 11/1976 Ono D8/387
- D242,118 S * 11/1976 Ono D8/387

- D242,232 S * 11/1976 Ono D8/387
- 4,238,165 A * 12/1980 Wagner 403/408.1
- 5,499,896 A * 3/1996 Cafarelli 411/387.2
- D374,814 S * 10/1996 Saito D8/387
- D418,048 S * 12/1999 Chan D8/387
- D482,957 S * 12/2003 Lajeunesse et al. D8/387
- D552,977 S * 10/2007 He et al. D8/387

* cited by examiner

Primary Examiner—Holly H Baynham
Assistant Examiner—Sheryl Lane

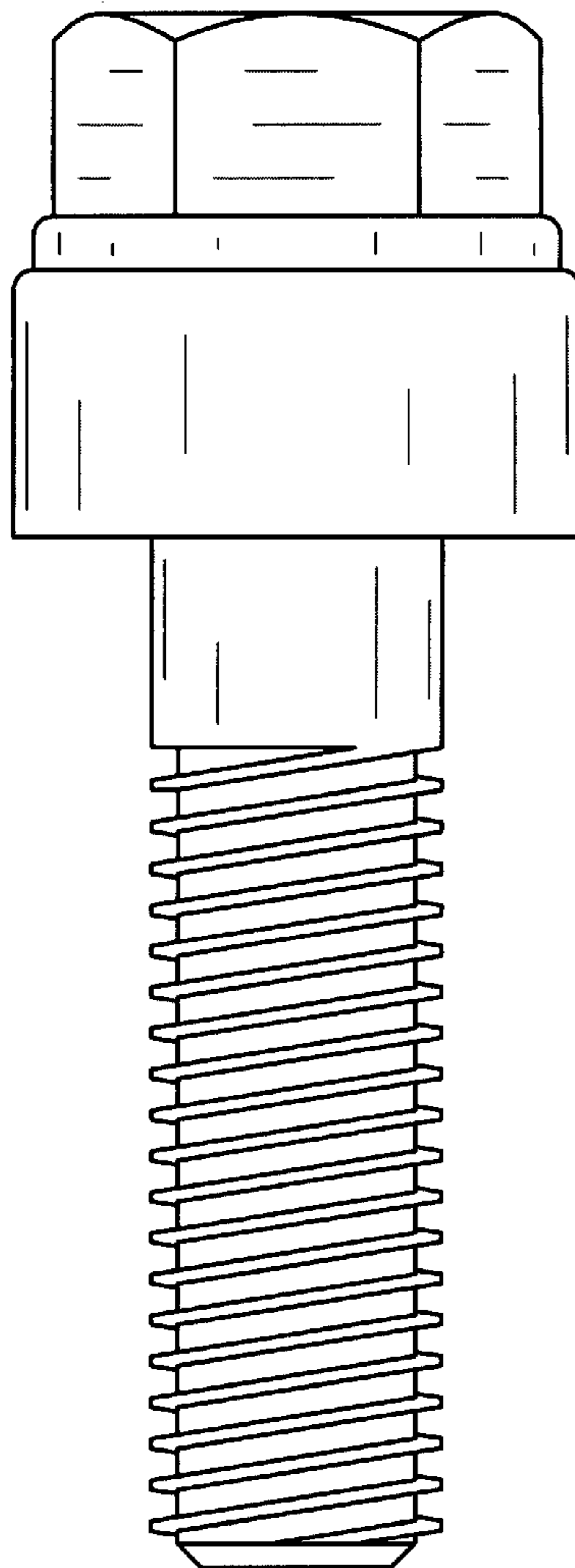
(57) **CLAIM**

The ornamental design for a bolt, as shown and described.

DESCRIPTION

FIG. 1 is a top plan view of a bolt showing my new design;
FIG. 2 is a front elevational view thereof; and,
FIG. 3 is a bottom plan view thereof.

1 Claim, 3 Drawing Sheets



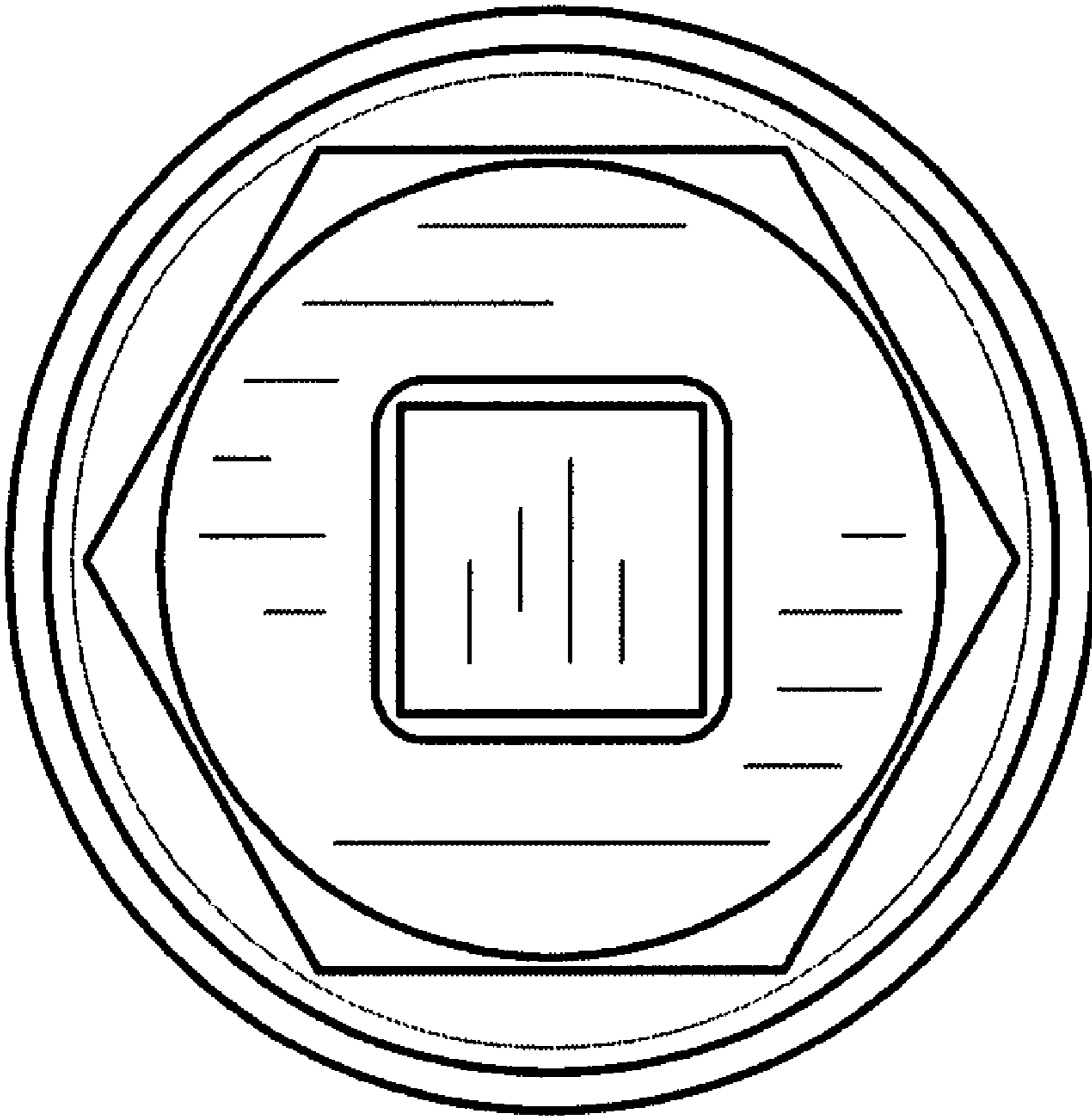


FIG. 1

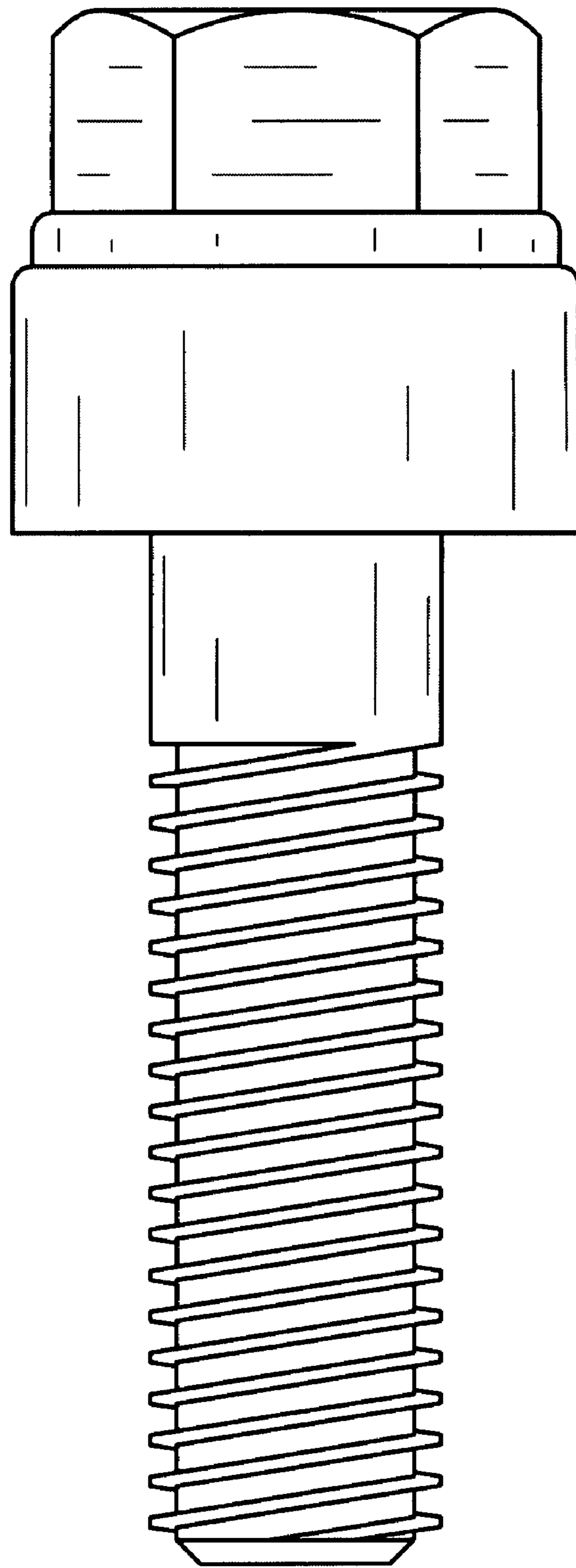


FIG. 2

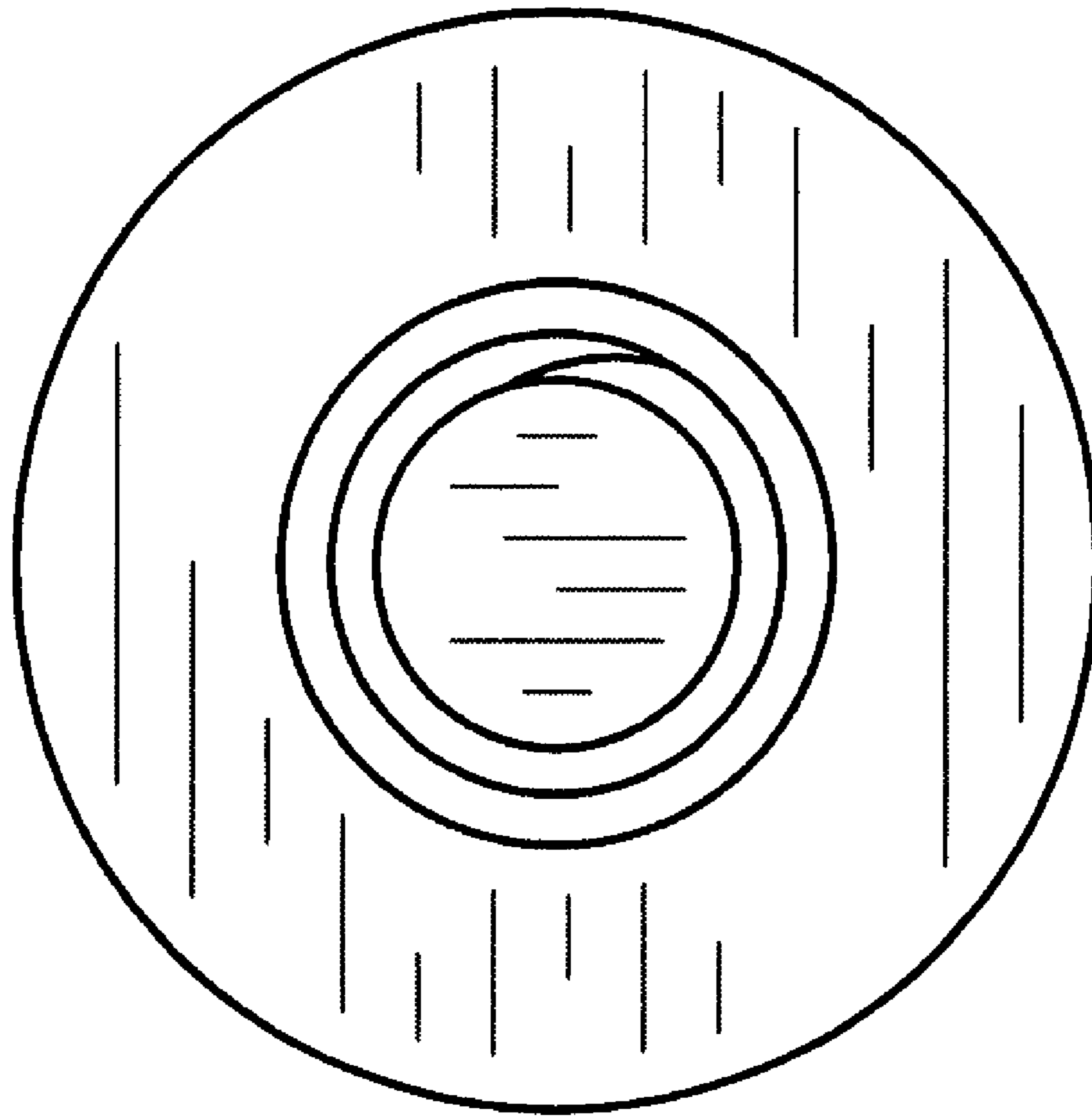


FIG. 3