



US00D584136S

(12) **United States Design Patent**
Irvin

(10) **Patent No.:** **US D584,136 S**
(45) **Date of Patent:** **** Jan. 6, 2009**

(54) **REMOVABLE GRIP FOR STAIR HAND RAIL**

D560,819 S * 1/2008 Thelwell D25/38

(76) Inventor: **Patricia N. Irvin**, 7517 Standard,
Centerline, MI (US) 48015

* cited by examiner

Primary Examiner—Holly H Baynham

Assistant Examiner—Sheryl Lane

(**) Term: **14 Years**

(74) *Attorney, Agent, or Firm*—The Weintraub Group, PLC

(21) Appl. No.: **29/264,236**

(57) **CLAIM**

(22) Filed: **Aug. 4, 2006**

The ornamental design for a removable grip for stair hand rail,
as shown and described.

Related U.S. Application Data

DESCRIPTION

(62) Division of application No. 60/705,740, filed on Aug.
4, 2005.

FIG. 1 is a perspective view of a removable grip for stair hand
rail showing my new design;

(51) **LOC (9) Cl.** **08-08**

FIG. 2 is a first side elevational view thereof;

(52) **U.S. Cl.** **D8/382**

FIG. 3 is a first end elevational view thereof;

(58) **Field of Classification Search** D25/38,
D25/199

FIG. 4 is a second side elevational view as seen from the side
opposite that of FIG. 2;

See application file for complete search history.

FIG. 5 is a top view thereof; and,

(56) **References Cited**

FIG. 6 is a bottom view thereof.

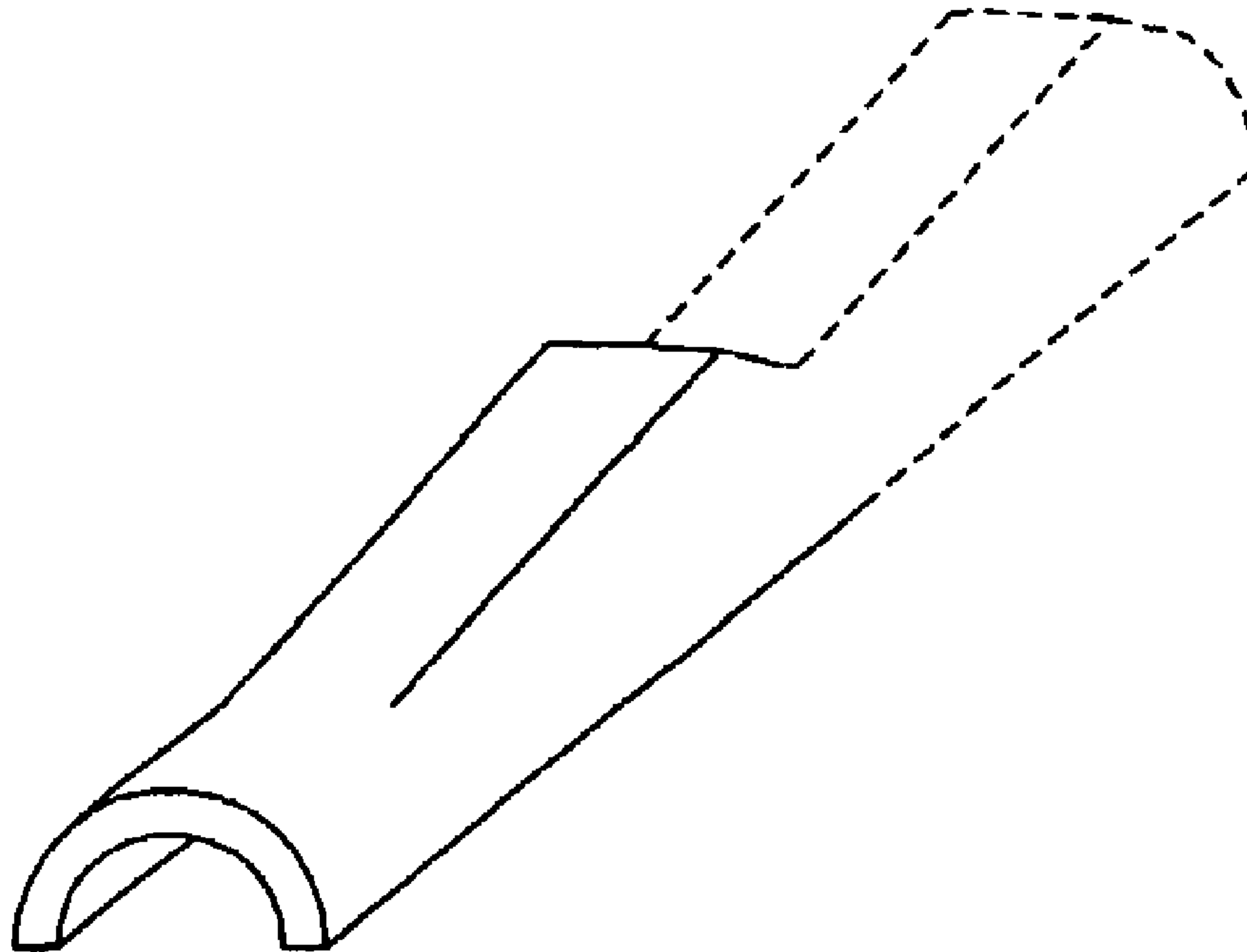
U.S. PATENT DOCUMENTS

The broken lines are included for illustrative purposes only
and form no part of the claimed design.

D454,207 S * 3/2002 Bussler D25/38

D521,156 S * 5/2006 Hsieh D25/38

1 Claim, 1 Drawing Sheet



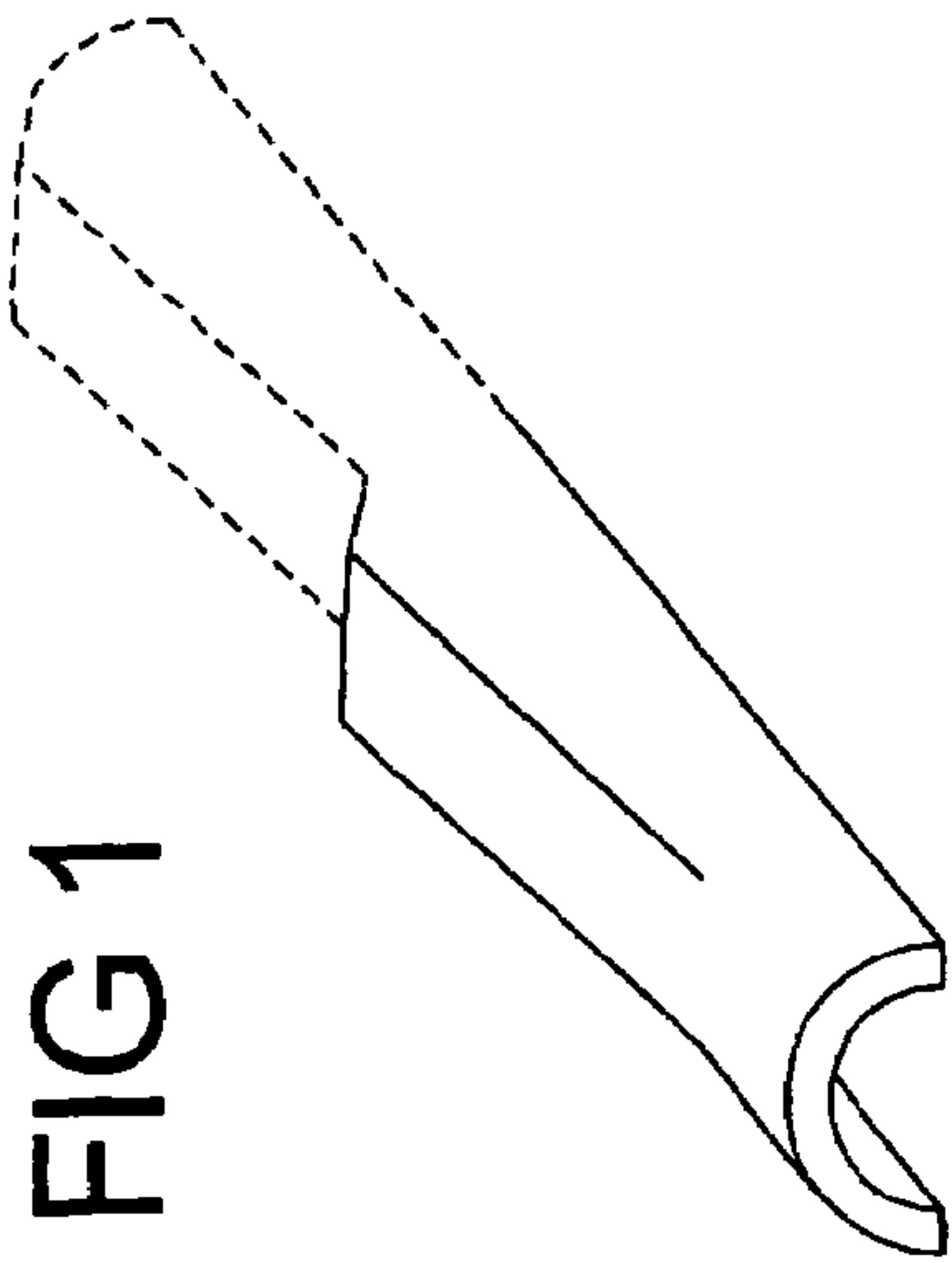


FIG 1

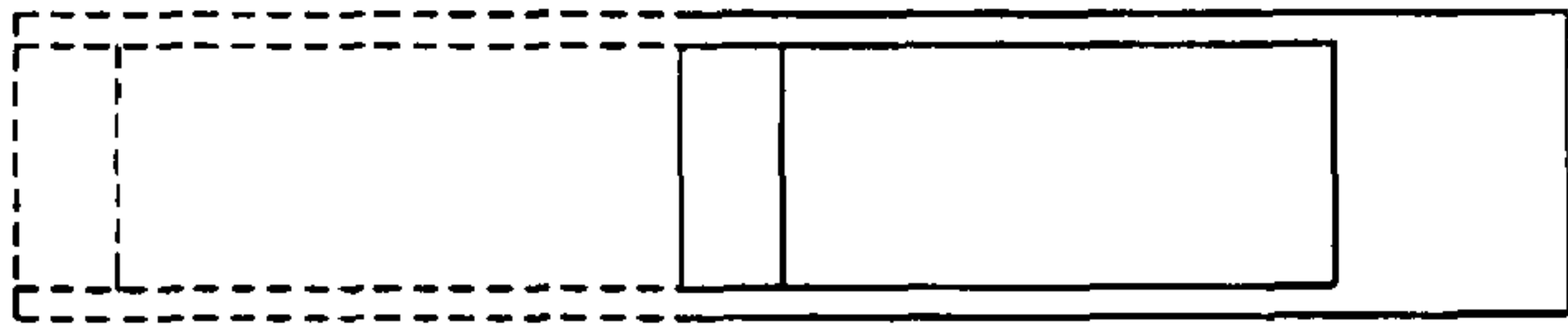


FIG 5

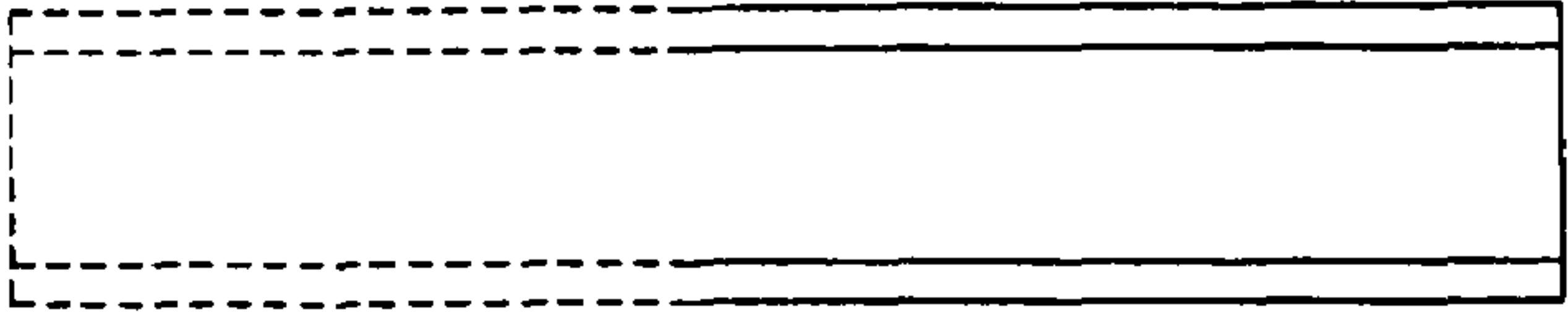


FIG 6



FIG 2

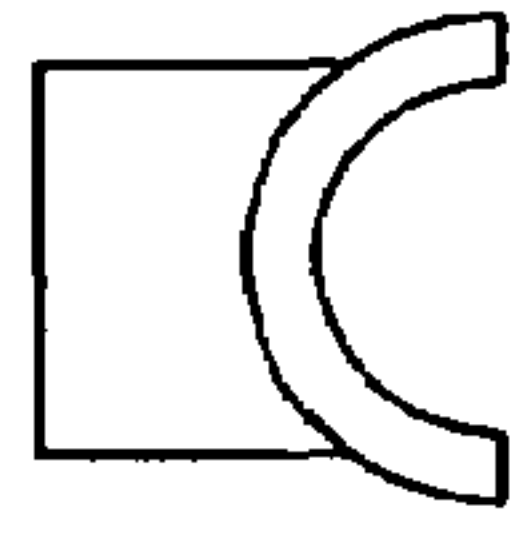


FIG 3

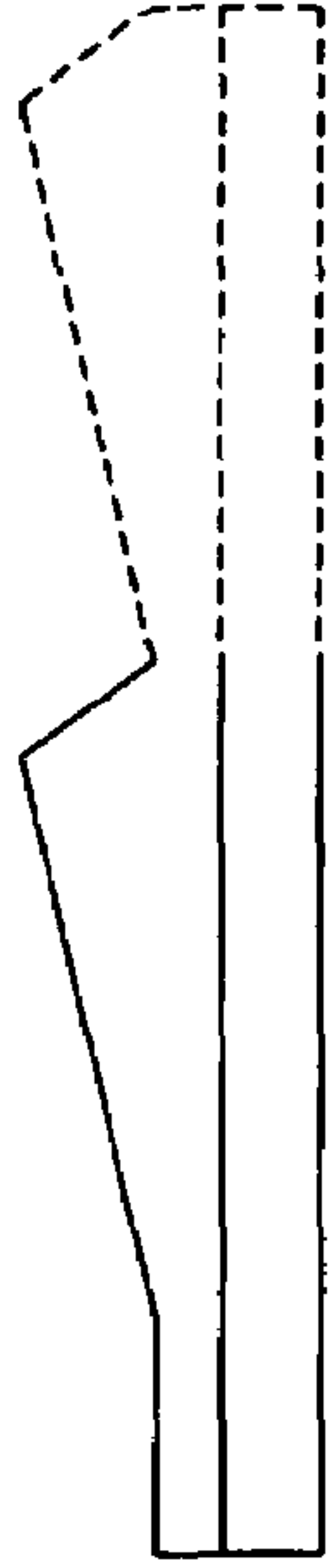


FIG 4