



US00D584135S

(12) **United States Design Patent**
Brassard

(10) **Patent No.:** **US D584,135 S**

(45) **Date of Patent:** **** Jan. 6, 2009**

(54) **MOUNT ANCHOR**

(76) Inventor: **Paul Brassard**, 20 La Porte, Arcadia,
CA (US) 91006

(**) Term: **14 Years**

(21) Appl. No.: **29/307,129**

(22) Filed: **Apr. 1, 2008**

(51) **LOC (9) Cl.** **08-05**

(52) **U.S. Cl.** **D8/380**

(58) **Field of Classification Search** D8/381,
D8/380, 373, 363, 359, 358, 354, 350, 349;
D34/17; D14/253; D13/154; D12/211;
D10/72; 33/769; 248/264, 251, 916; 242/608.8,
242/608.4, 601, 600, 570, 395, 370; 137/355.27,
137/355.23; 104/113

See application file for complete search history.

(56) **References Cited**

U.S. PATENT DOCUMENTS

328,562 A * 10/1885 Beckman 248/264
805,570 A * 11/1905 Maldaner 248/264
1,235,476 A * 7/1917 Hoff 248/251
D207,403 S * 4/1967 Schulke D14/253
D236,213 S * 8/1975 Paterson D14/253

4,653,714 A * 3/1987 Andrasko, Jr. 248/251
4,700,918 A * 10/1987 Andrasko, Jr. 248/251
D319,573 S * 9/1991 Rogers D8/380
D439,140 S * 3/2001 Jokinen et al. D8/363
D470,038 S * 2/2003 Lapp et al. D8/380
D547,165 S * 7/2007 Barrese et al. D8/380

* cited by examiner

Primary Examiner—Susan B Hattan

(57) **CLAIM**

The ornamental design for “mount anchor,” as shown and described.

DESCRIPTION

FIG. 1 is a perspective view of a “mount anchor” showing my new design;

FIG. 2 is a front view thereof;

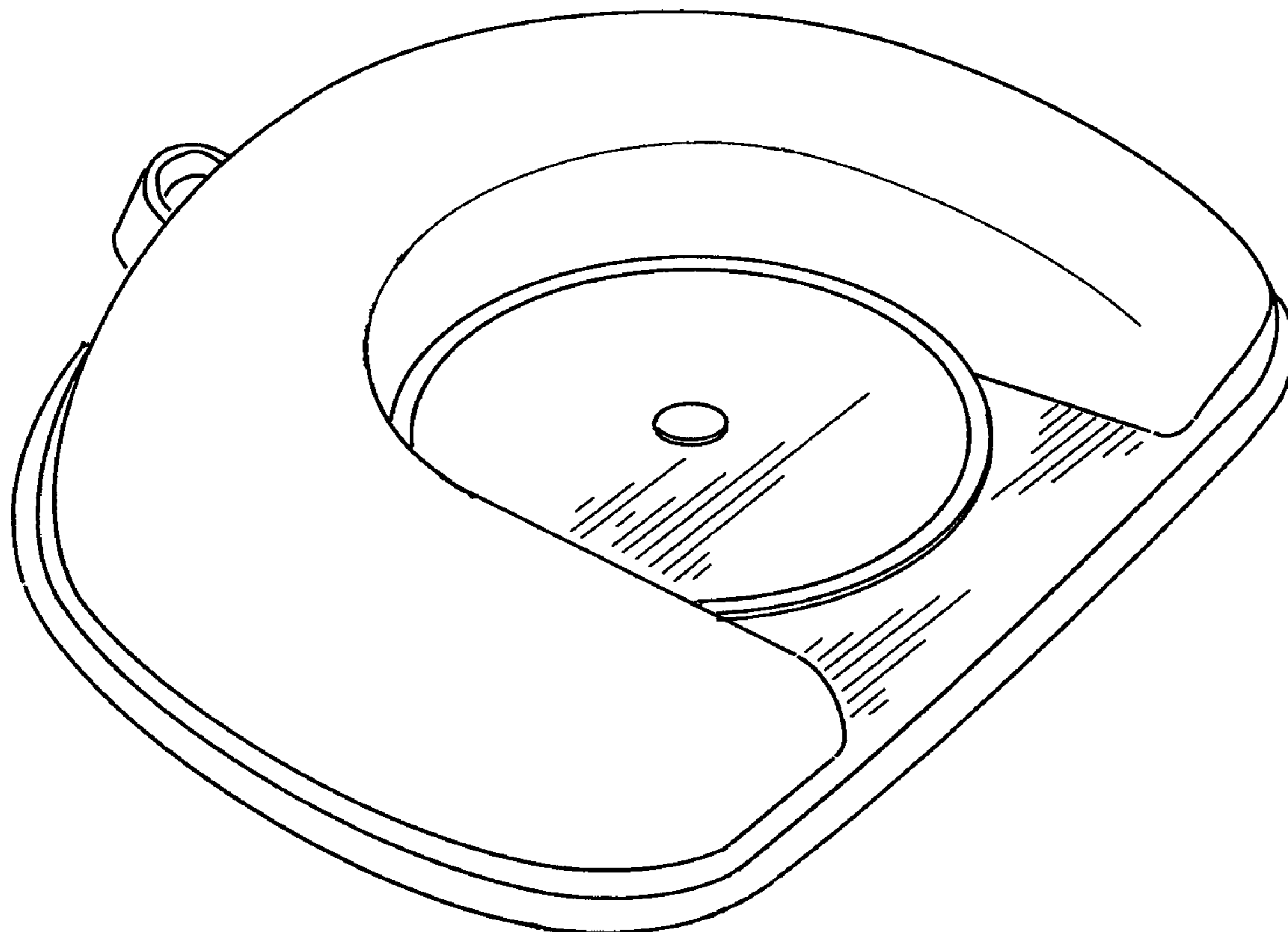
FIG. 3 is a rear view thereof;

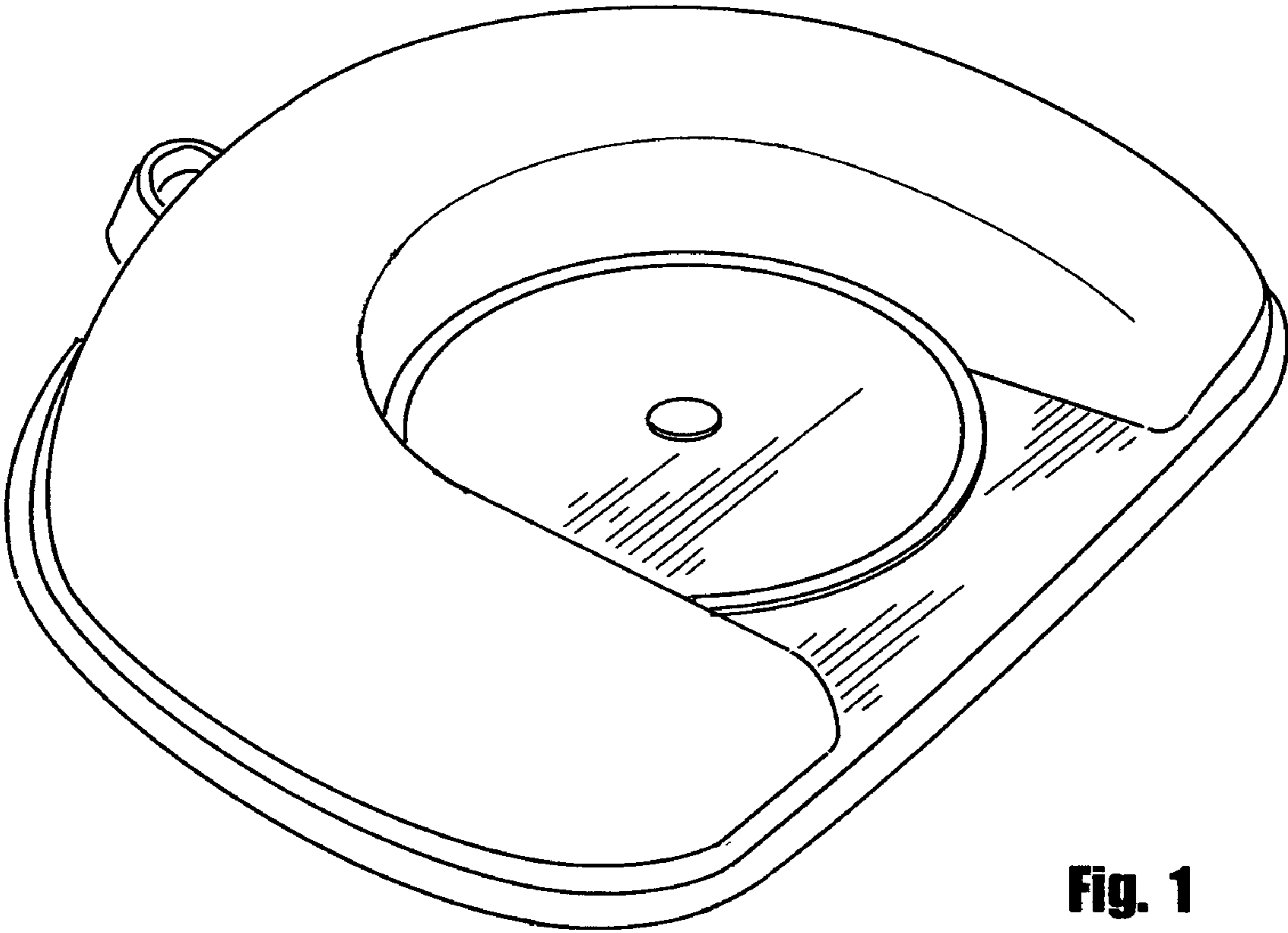
FIG. 4 is a right side view thereof the opposite side being identical thereto;

FIG. 5 is a top plan view thereof; and,

FIG. 6 is a bottom plan view thereof.

1 Claim, 3 Drawing Sheets





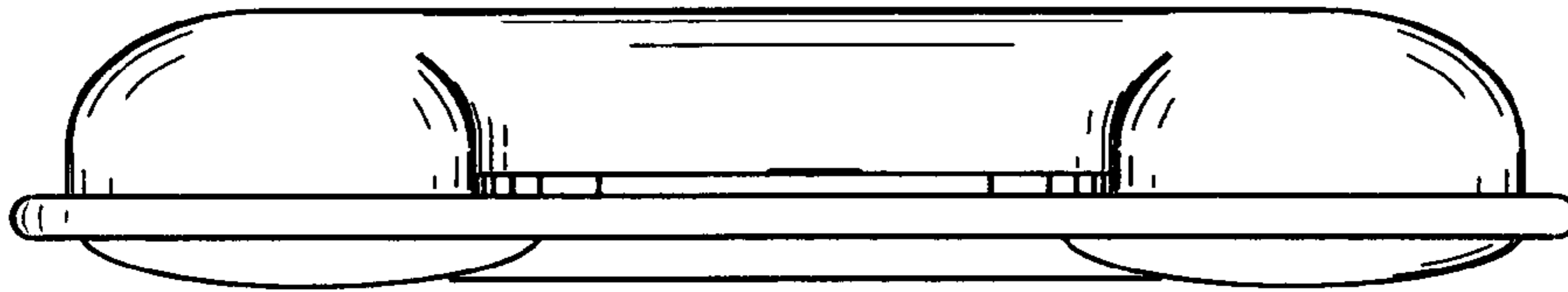


Fig. 2

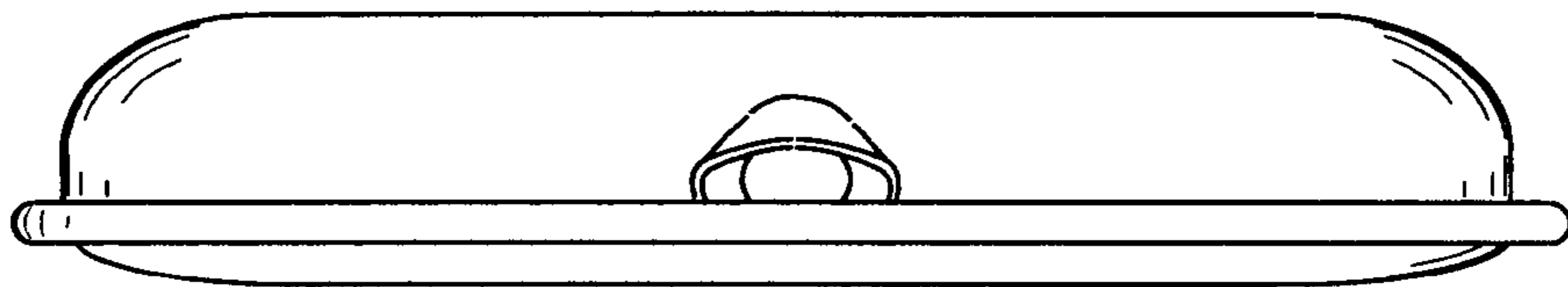


Fig. 3

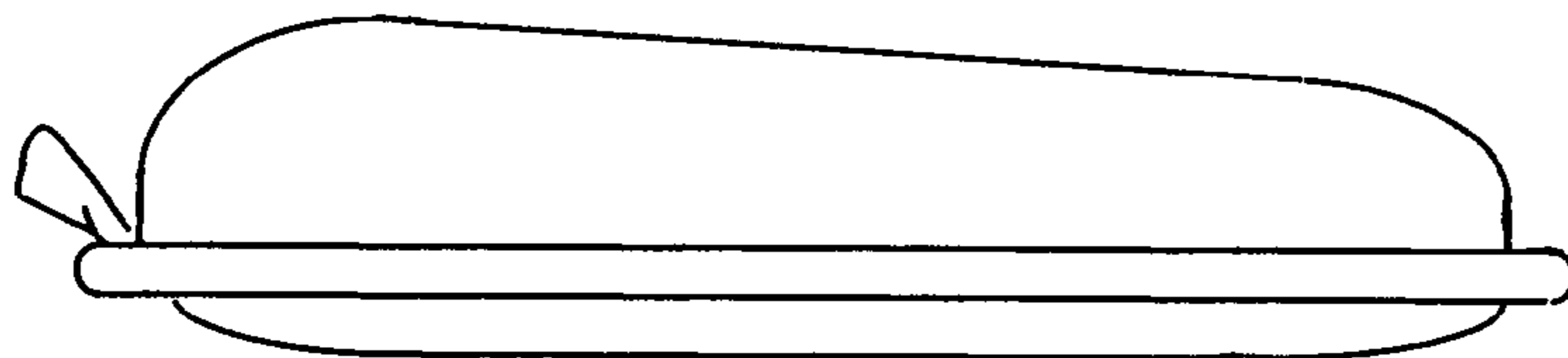


Fig. 4

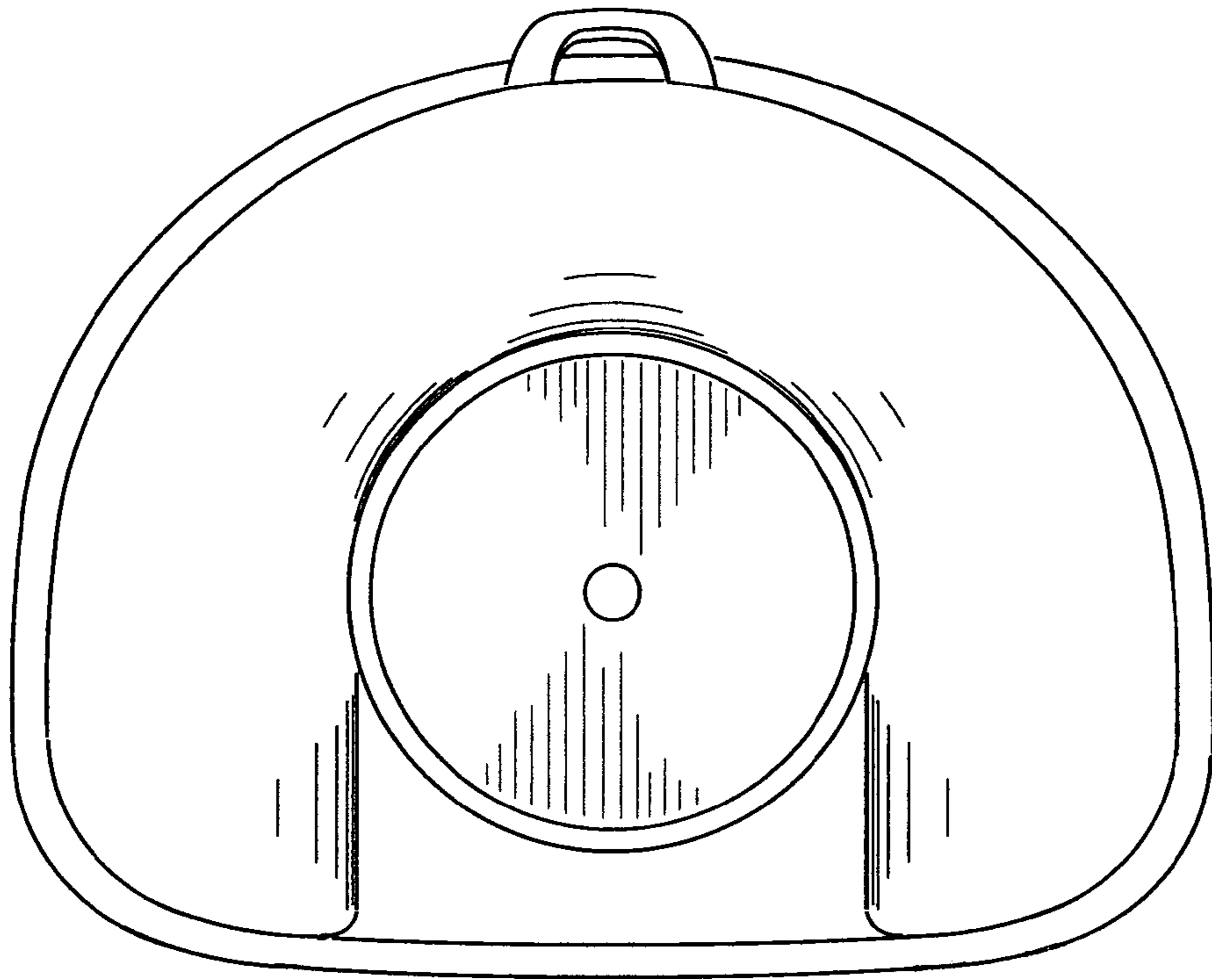


Fig. 5

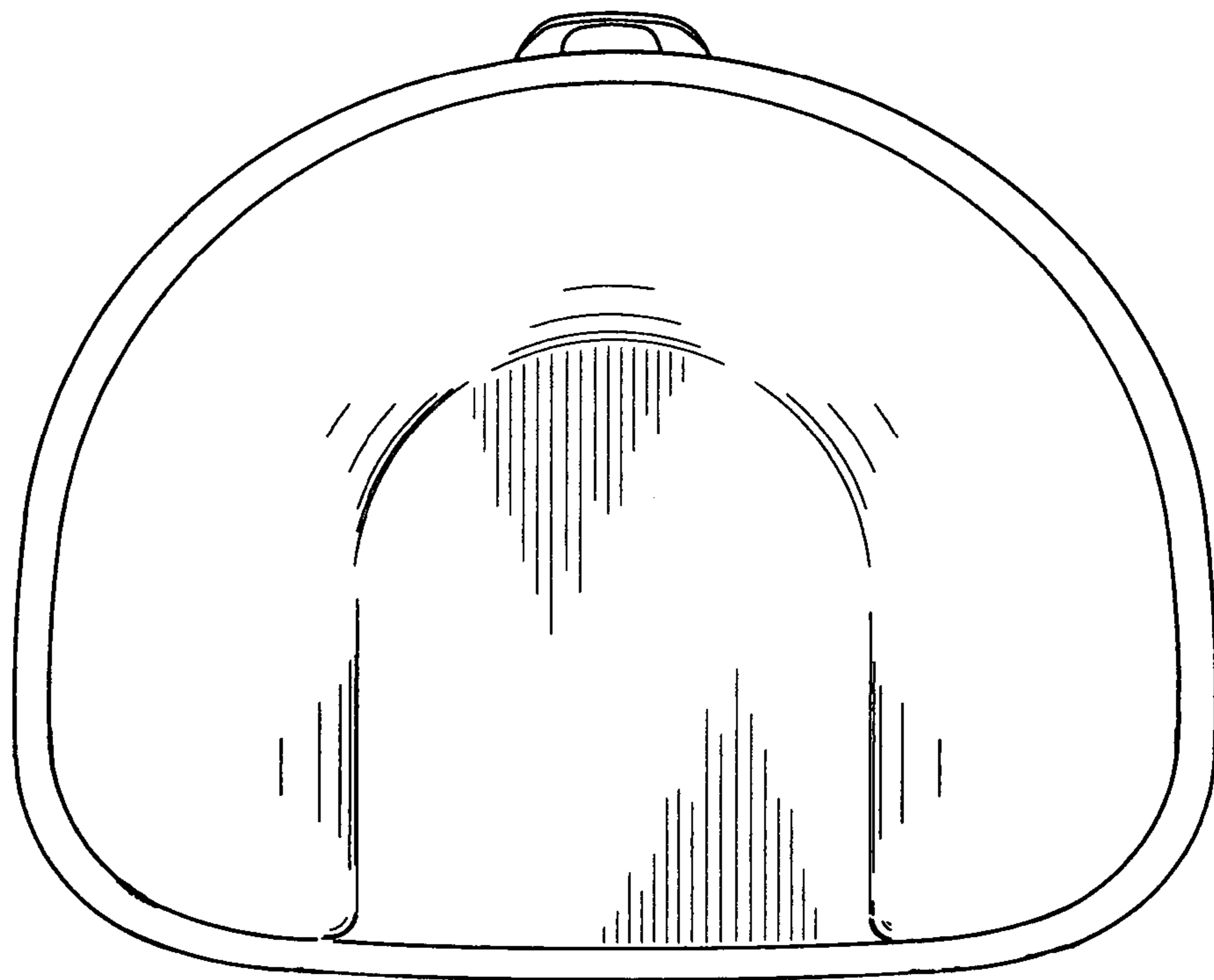


Fig. 6