



US00D584131S

(12) **United States Design Patent**
Roberts

(10) **Patent No.:** **US D584,131 S**
(45) **Date of Patent:** **** Jan. 6, 2009**

(54) **DEADBOLT TURNPIECE**
(75) Inventor: **Rockwood Theodore Roberts**, Carmel, IN (US)
(73) Assignee: **Schlage Lock Company**, Carmel, IN (US)
(**) Term: **14 Years**
(21) Appl. No.: **29/281,799**
(22) Filed: **Jul. 2, 2007**

6,202,352 B1 * 3/2001 Wilkes 49/460
D453,898 S * 2/2002 Barnes et al. D8/307
D498,659 S * 11/2004 Huang D8/343
D563,764 S * 3/2008 Hacker D8/331
2005/0172685 A1 * 8/2005 Keightly 70/279.1
2006/0042336 A1 * 3/2006 Smith et al. 70/432
* cited by examiner

Primary Examiner—Prabhakar Deshmukh
(74) *Attorney, Agent, or Firm*—Michael Best & Friedrich LLP

(51) **LOC (9) Cl.** **08-07**
(52) **U.S. Cl.** **D8/343; D8/338**
(58) **Field of Classification Search** D8/343, D8/331, 336, 338, 300, 349, 400, 404, DIG. 3; 70/51, 107, 111, 124, 141, 224, 223, 431, 70/445, 450; 292/337, 347, 348, 356, 357
See application file for complete search history.

(57) **CLAIM**

The ornamental design for a deadbolt turnpiece, as shown and described.

DESCRIPTION

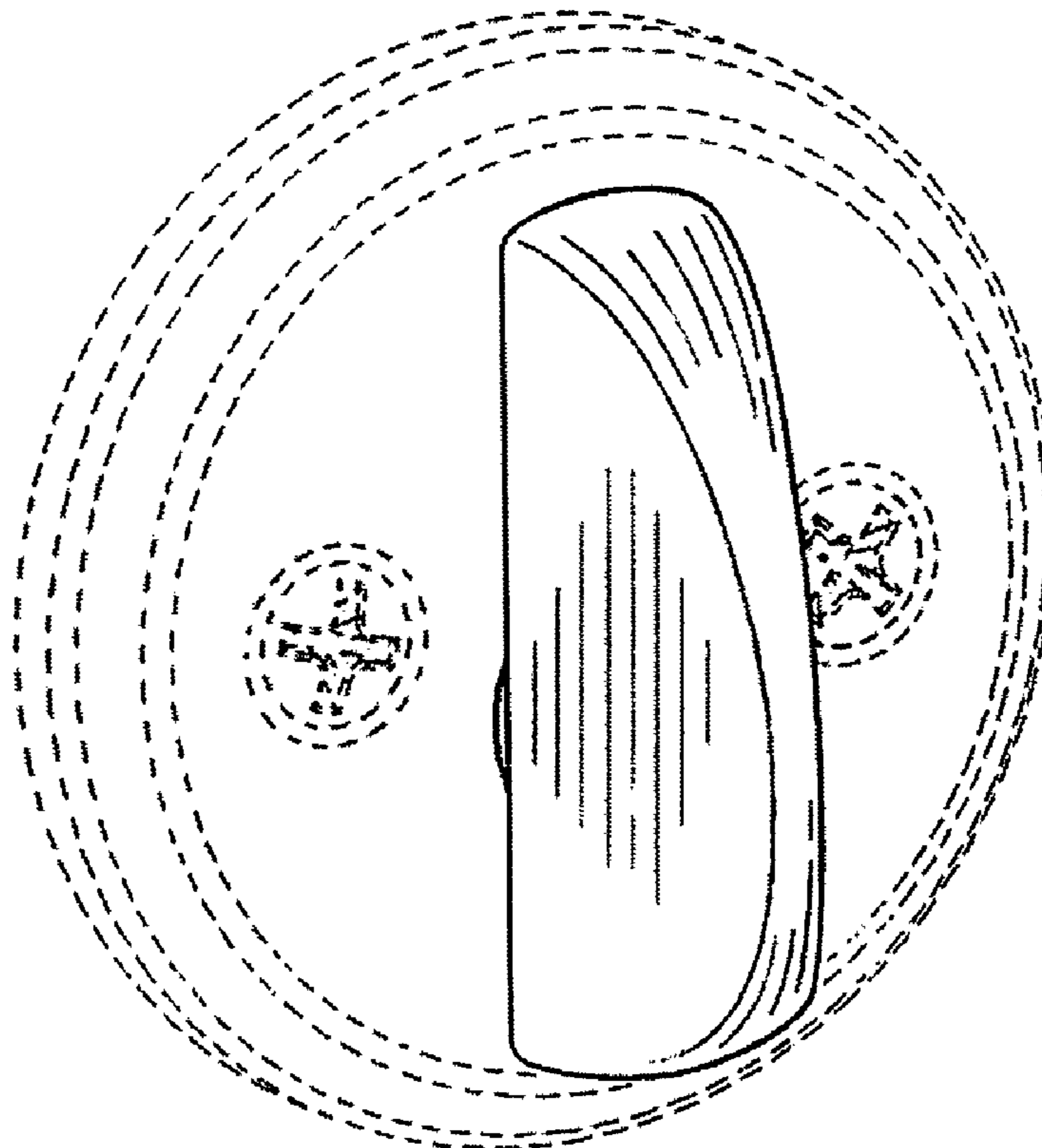
FIG. 1 is a top plan view of a deadbolt turnpiece showing my new design.
FIG. 2 is a front elevational view thereof.
FIG. 3 is a bottom plan view thereof.
FIG. 4 is a right side elevational view thereof, the left side elevational view being a mirror image thereof; and,
FIG. 5 is a perspective view thereof.
The broken lines are for illustrative purpose only and form no part of the claimed design. The rear forms no part of the claimed design and disclaimed.

(56) **References Cited**

U.S. PATENT DOCUMENTS

5,087,090 A * 2/1992 Humphrey et al. 292/359
5,327,632 A * 7/1994 Moore 29/401.1
D372,854 S * 8/1996 Jimenez D8/343
5,651,279 A * 7/1997 Berton et al. 70/211
5,881,586 A * 3/1999 Shen 70/107
D433,920 S * 11/2000 Chang D8/331
6,170,305 B1 * 1/2001 Shen 70/107

1 Claim, 2 Drawing Sheets



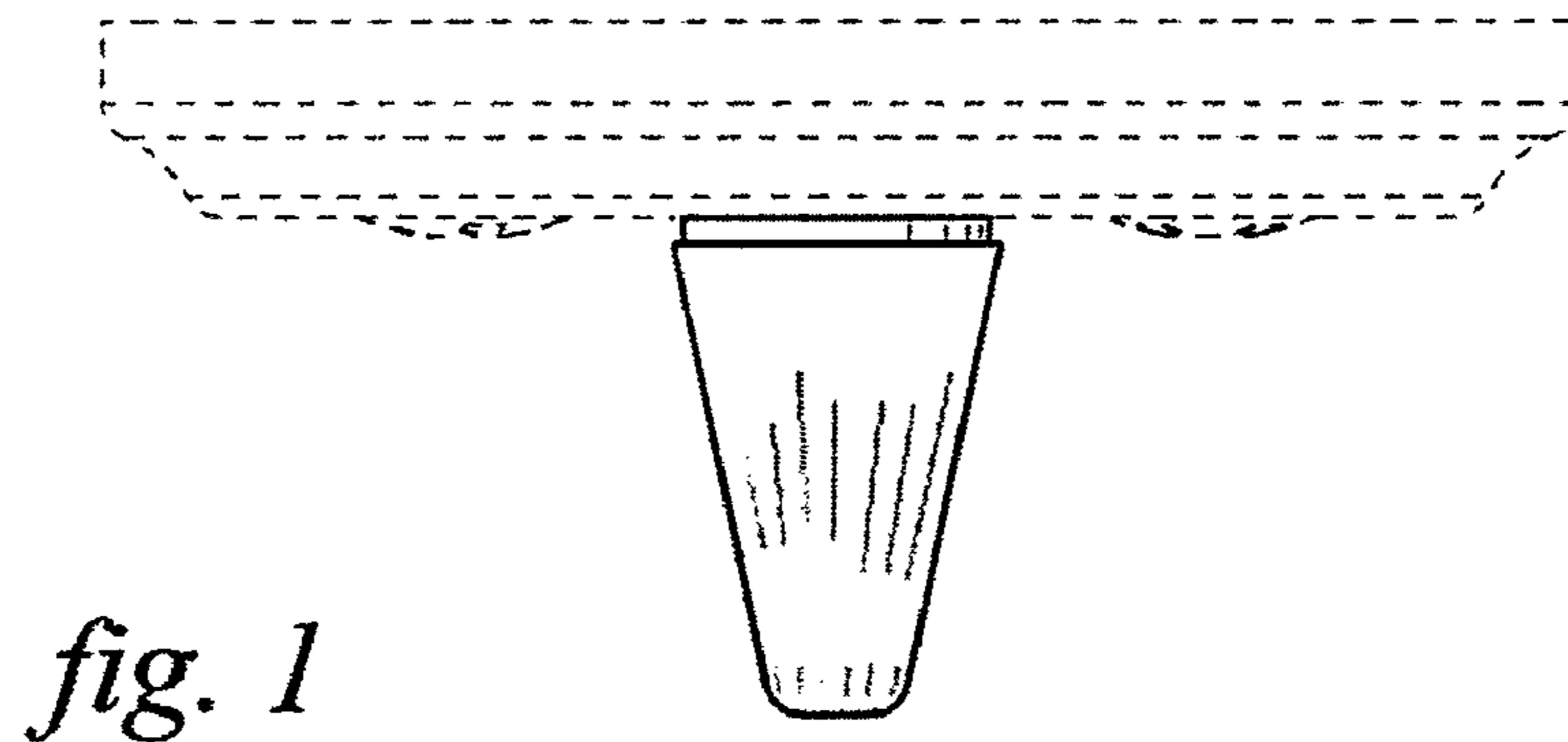


fig. 1

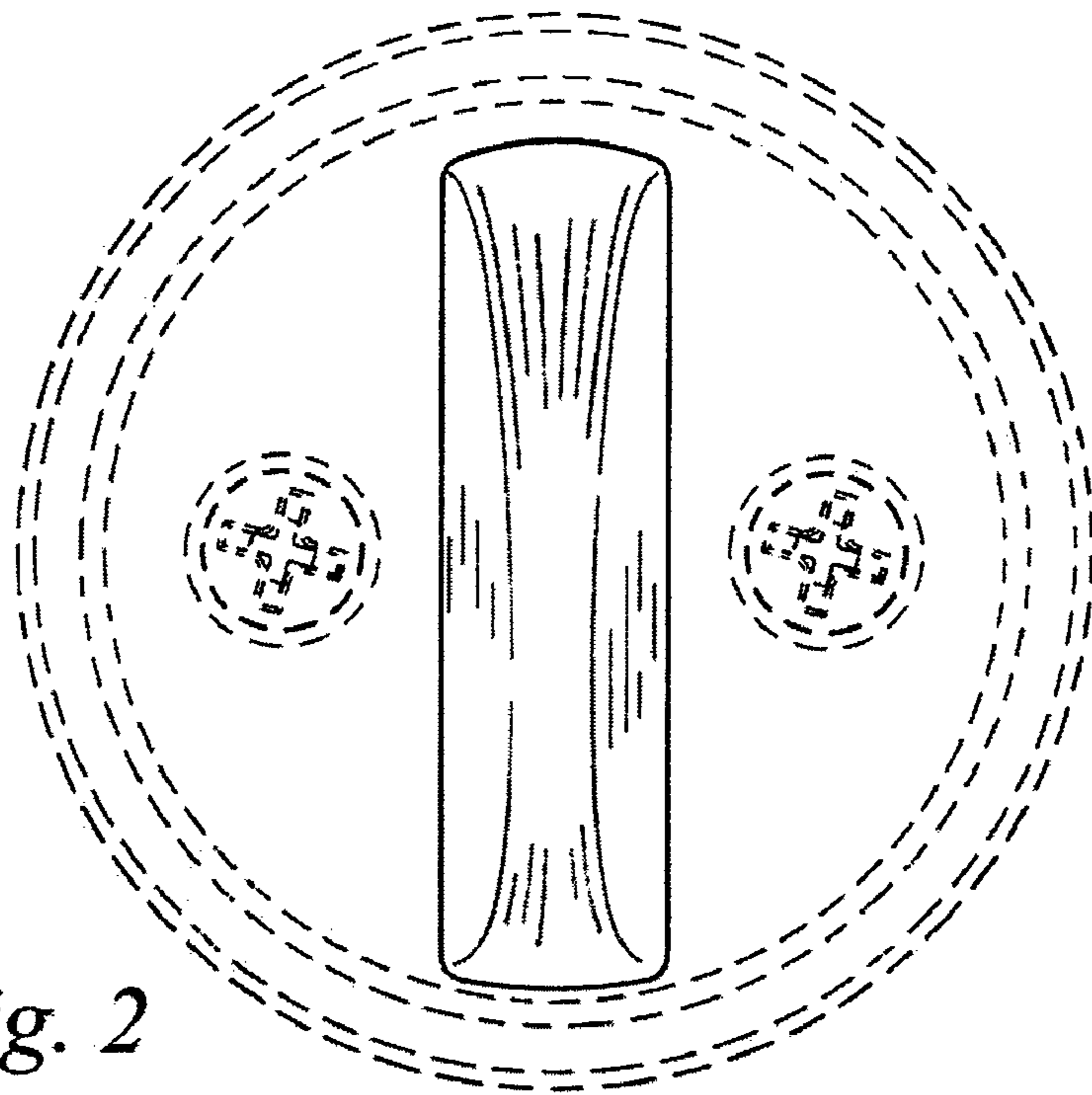


fig. 2

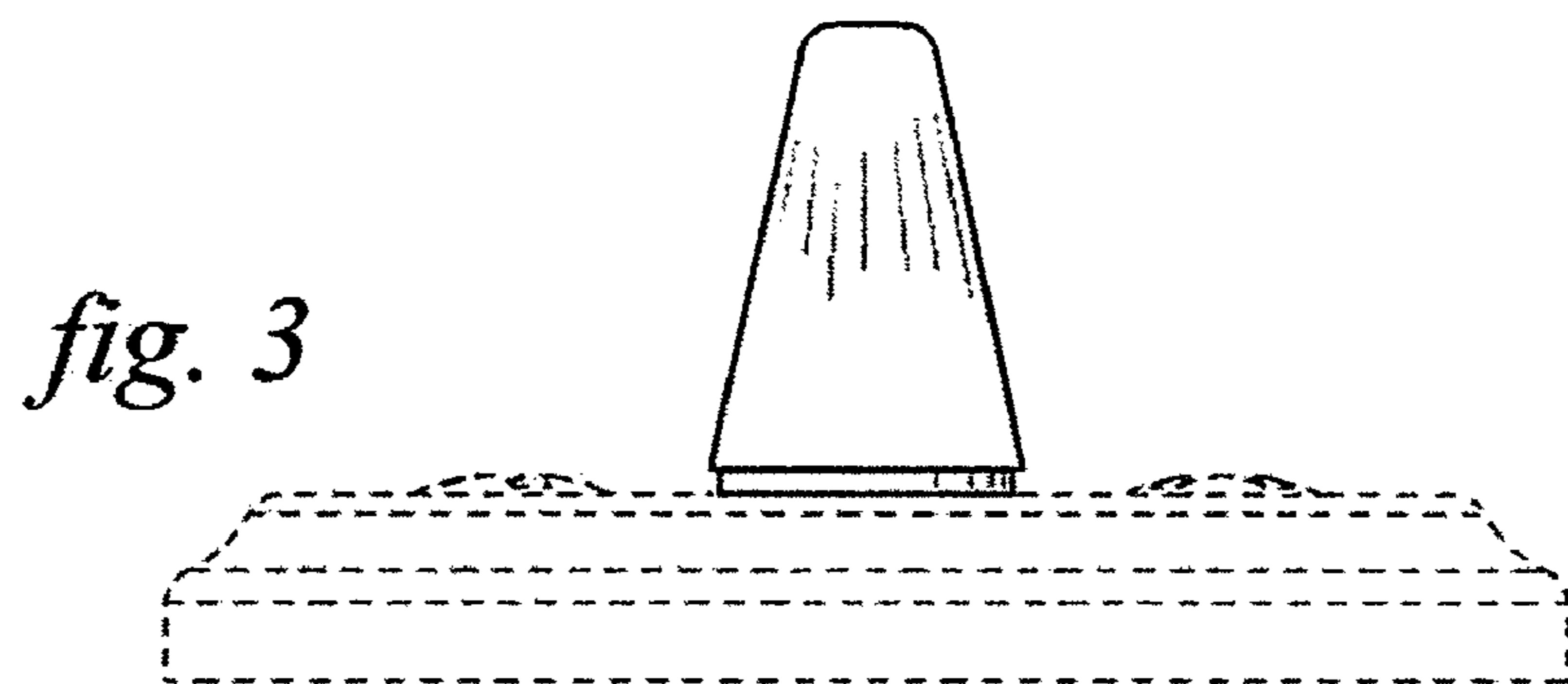


fig. 3

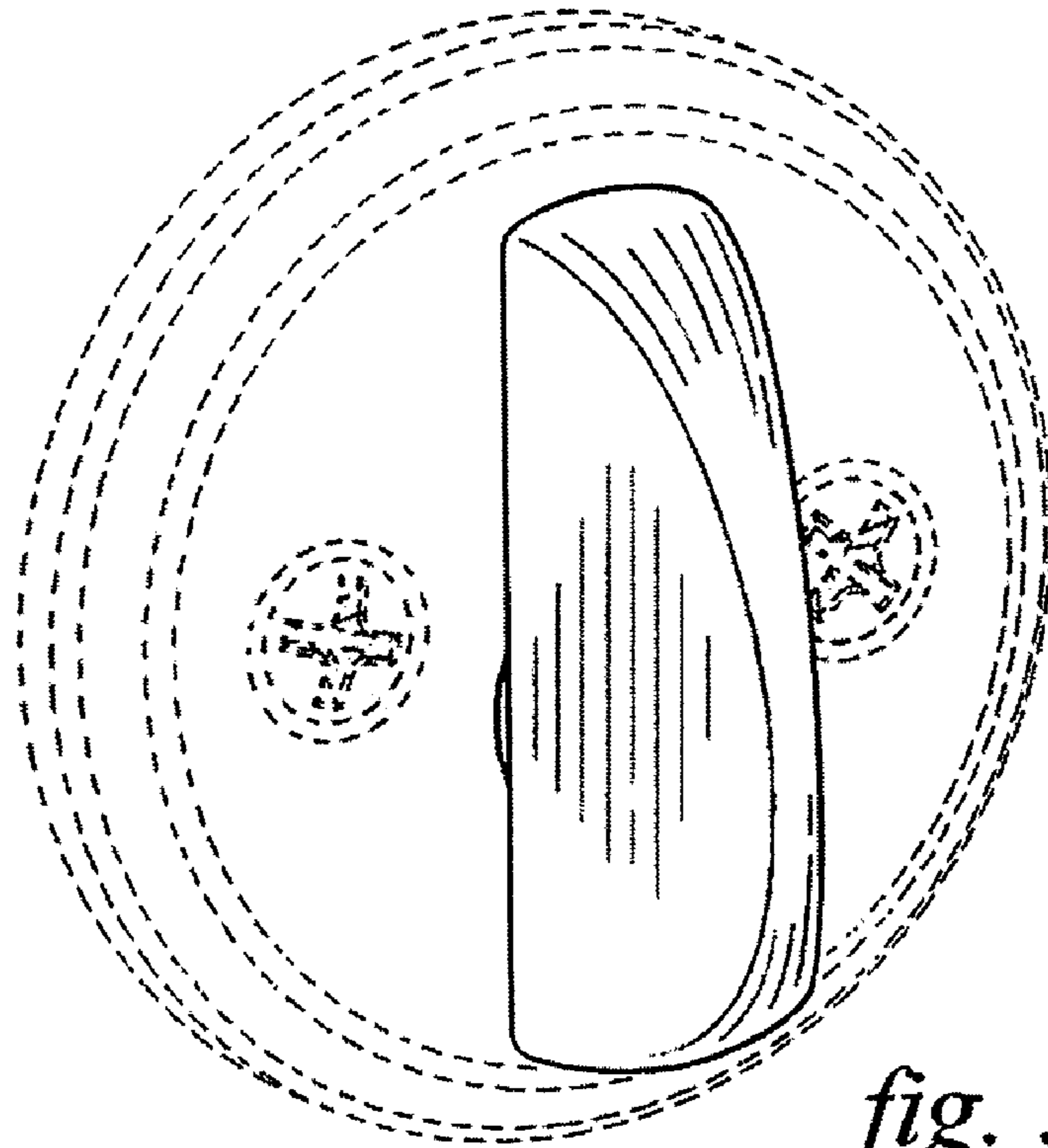


fig. 5

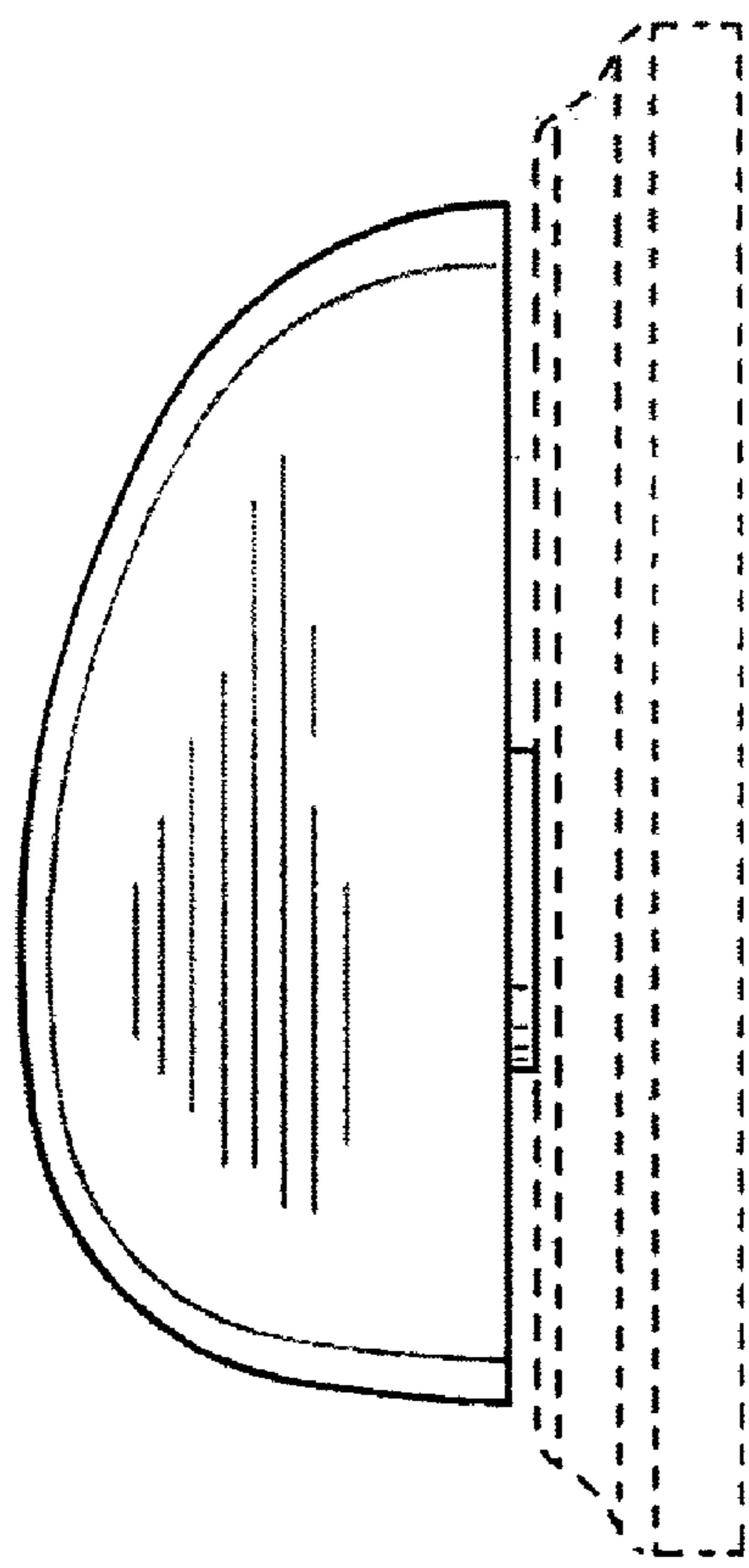


fig. 4