

US00D584130S

(12) **United States Design Patent**  
**Bertani**

(10) **Patent No.:** **US D584,130 S**  
(45) **Date of Patent:** **\*\* Jan. 6, 2009**

- (54) **HINGE**
- (75) Inventor: **Alberto Bertani**, Milan (IT)
- (73) Assignee: **Elesa S.p.A.**, Milan (IT)
- (\*\*) Term: **14 Years**
- (21) Appl. No.: **29/317,475**
- (22) Filed: **Apr. 30, 2008**
- (30) **Foreign Application Priority Data**  
Oct. 31, 2007 (EM) ..... 000818356
- (51) **LOC (9) Cl.** ..... **08-06**
- (52) **U.S. Cl.** ..... **D8/328**
- (58) **Field of Classification Search** ..... D8/323-329,  
D8/354, 356; 16/234-237, 239-241, 245,  
16/246, 249, 254, 261, 262, 265, 272, 277,  
16/307, 309, 316, 319, 335, 338, 339, 342,  
16/379-389, 221; 248/200, 211.11, 300,  
248/309.1, 317; 4/236-240  
See application file for complete search history.

- (56) **References Cited**  
**U.S. PATENT DOCUMENTS**  
D22,875 S \* 11/1893 Holmes et al. .... D8/328  
D177,088 S \* 3/1956 Holmes et al. .... D8/328  
3,827,266 A \* 8/1974 Walters ..... 16/386  
3,940,957 A \* 3/1976 Walters ..... 16/386  
4,175,315 A \* 11/1979 Hayes et al. .... 16/380  
4,630,333 A \* 12/1986 Vickers ..... 16/338

- D344,667 S \* 3/1994 Riblett et al. .... D8/327
- D385,475 S \* 10/1997 Bolinas et al. .... D8/328
- D436,515 S \* 1/2001 Sonntag ..... D8/328
- D541,624 S \* 5/2007 Franchini ..... D8/328

**OTHER PUBLICATIONS**

Elesa, "CFE-Hinges," publication as early as 2000, <<http://www.elsa.com/anteprema.asp?lingua=2&ID=7109&idGrp=10&stato=4&sito=1>>.

Elesa, "CFA-Hinges," publication as early as 2000, <<http://www.elsa.com/anteprema.asp?lingua=2&ID=7104&idGrp=10&stato=4&sito=1>>.

Elesa, "CFA/F-Hinges with Stop Position," publication as early as 2005, <<http://www.elsa.com/anteprema.asp?lingua=2&ID=7105&idGrp=10&stato=4&sito=1>>.

\* cited by examiner

*Primary Examiner*—Holly H Baynham  
*Assistant Examiner*—Cynthia M Chin  
(74) *Attorney, Agent, or Firm*—Pearne & Gordon LLP

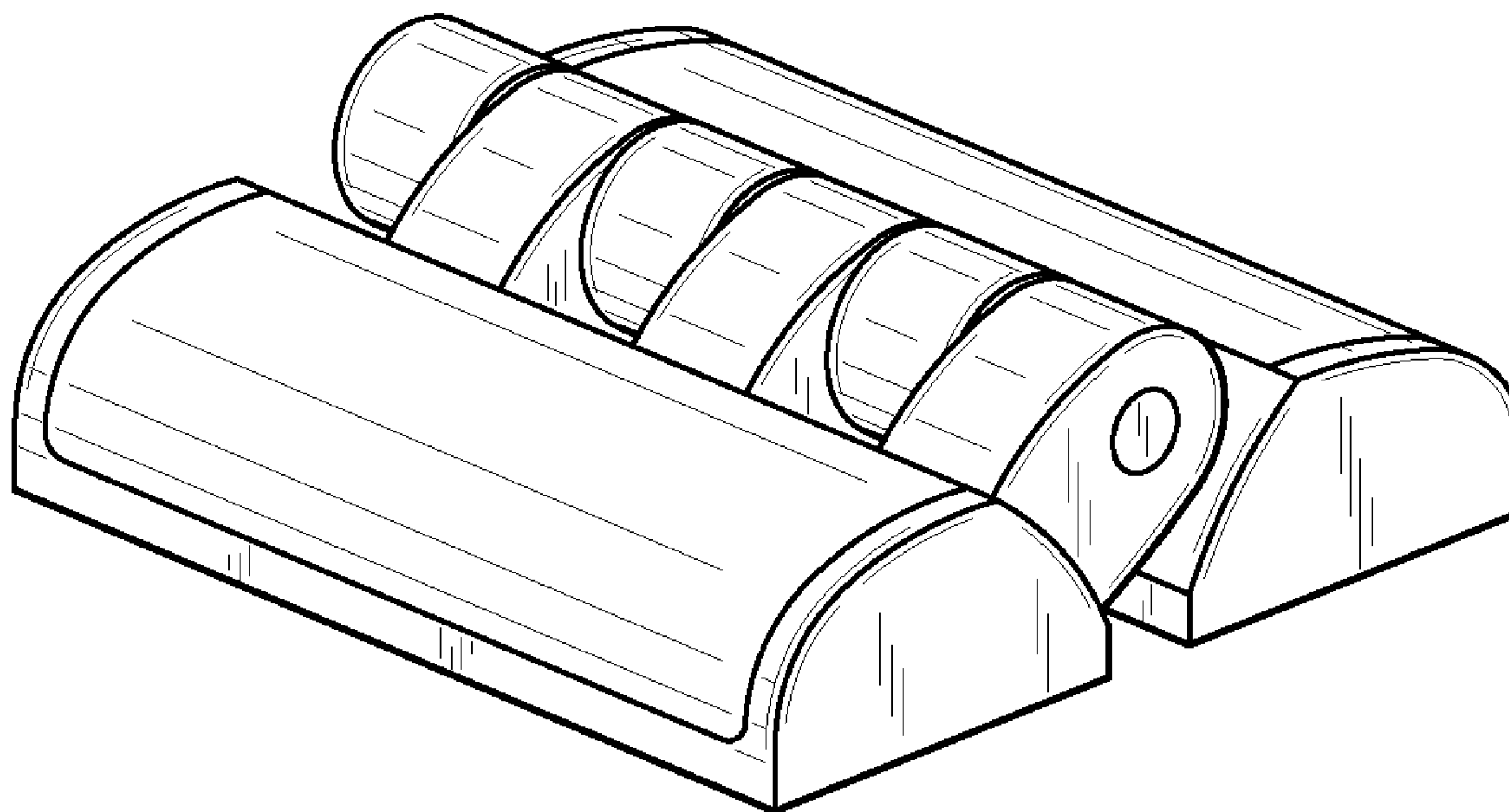
(57) **CLAIM**

The ornamental design for a hinge, as shown and described.

**DESCRIPTION**

FIG. 1 is a perspective view of my new invention;  
FIG. 2 is a front view thereof, a rear view being a mirror image thereof;  
FIG. 3 is a top view thereof; and,  
FIG. 4 is a right side view thereof, a left side view being identical thereto.

**1 Claim, 1 Drawing Sheet**



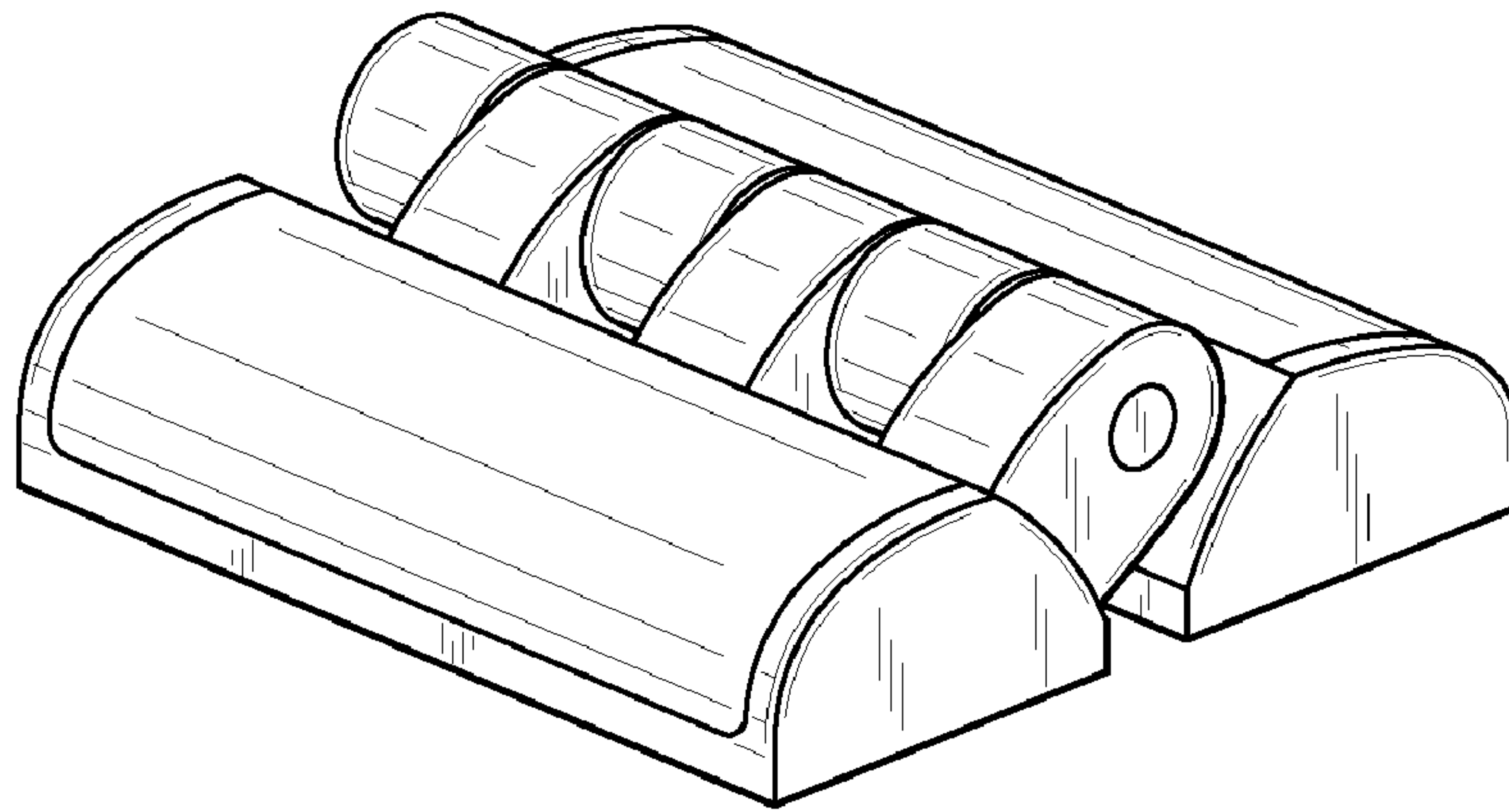


FIG. 1

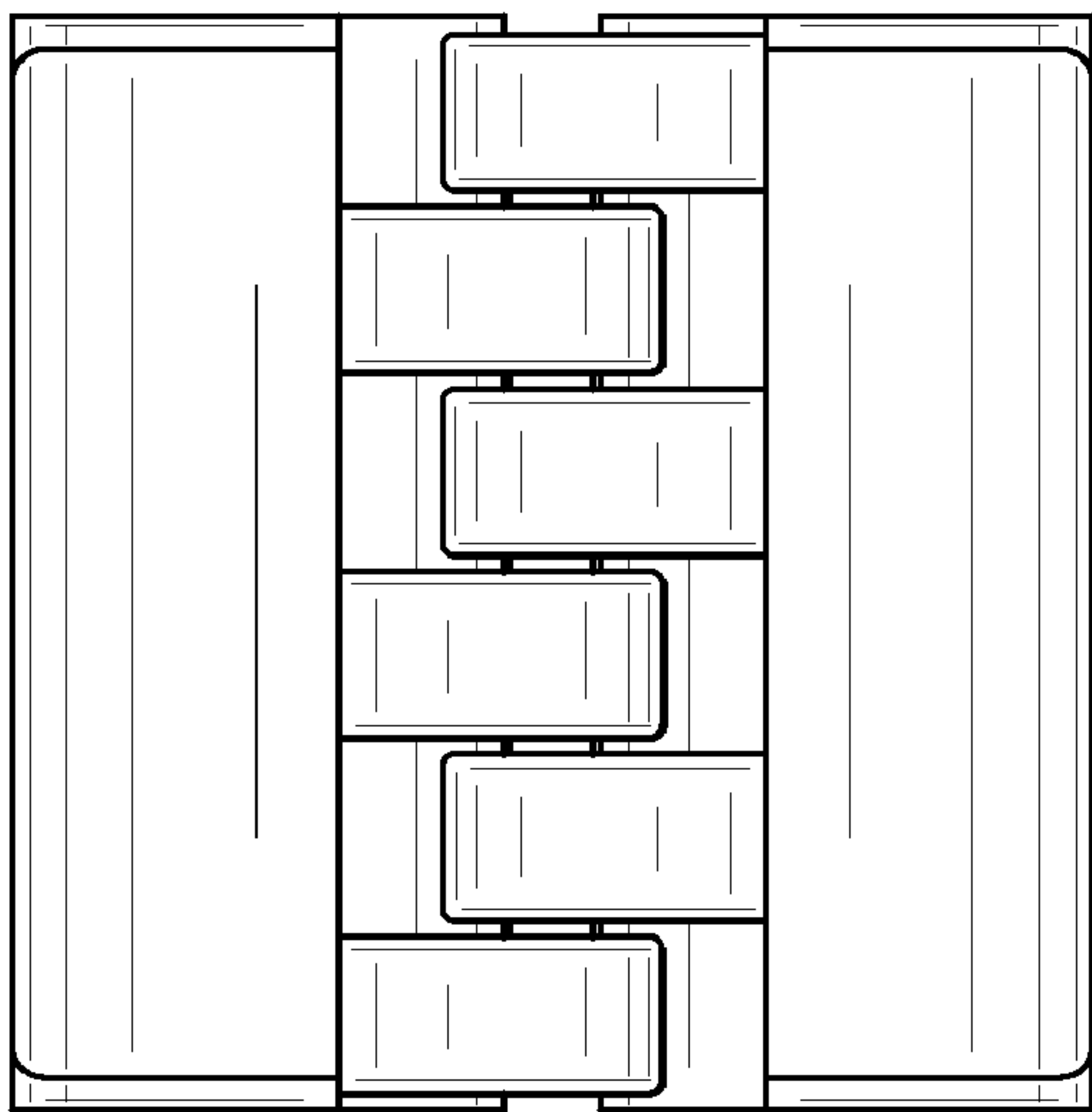


FIG. 3

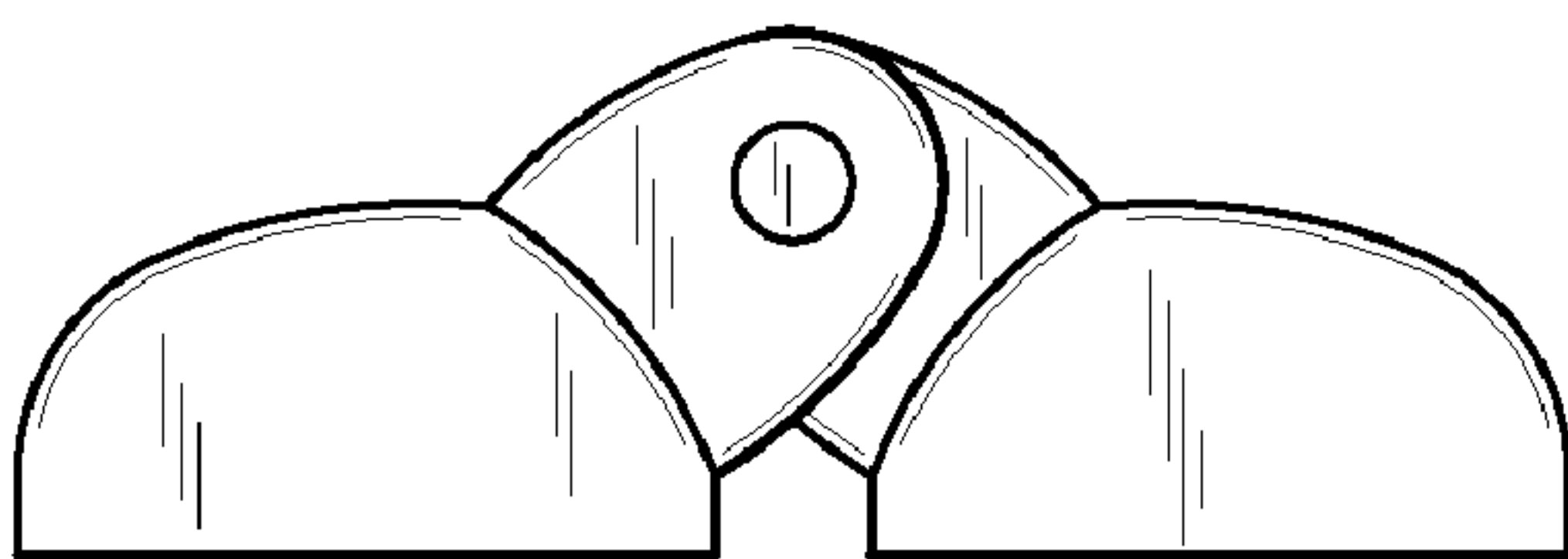


FIG. 2

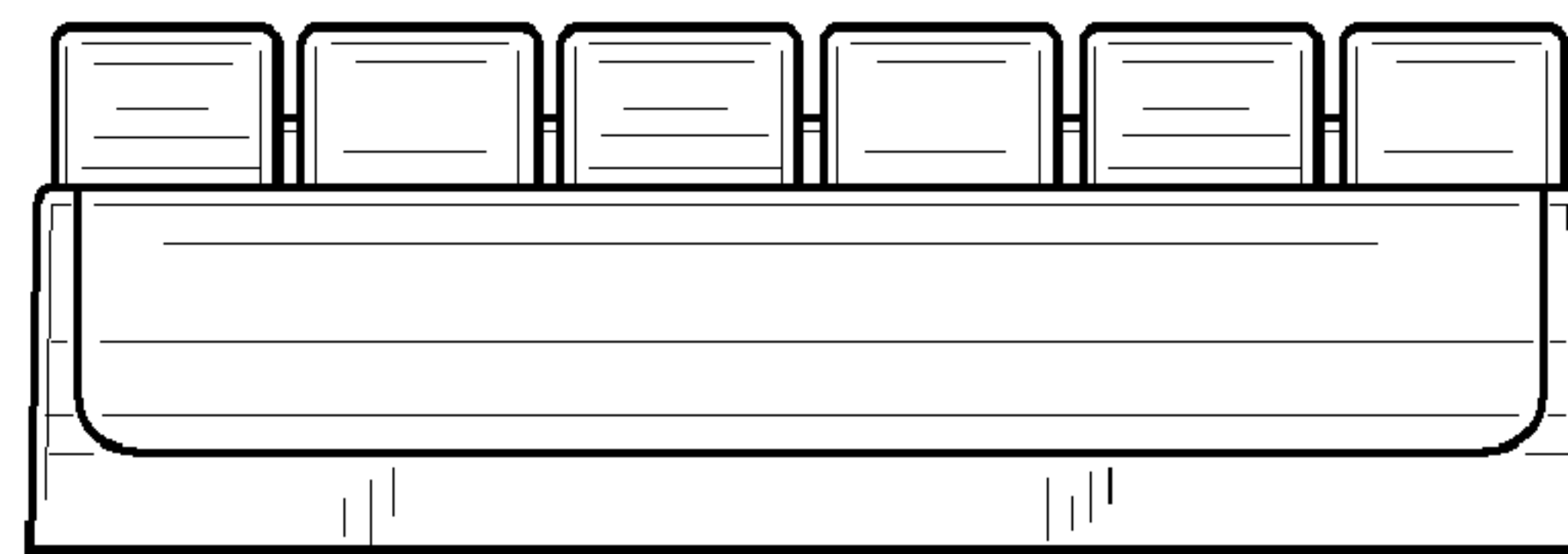


FIG. 4

UNITED STATES PATENT AND TRADEMARK OFFICE  
**CERTIFICATE OF CORRECTION**

PATENT NO. : Des. 584,130 S  
APPLICATION NO. : 29/317475  
DATED : January 6, 2009  
INVENTOR(S) : Alberto Bertani

Page 1 of 1

It is certified that error appears in the above-identified patent and that said Letters Patent is hereby corrected as shown below:

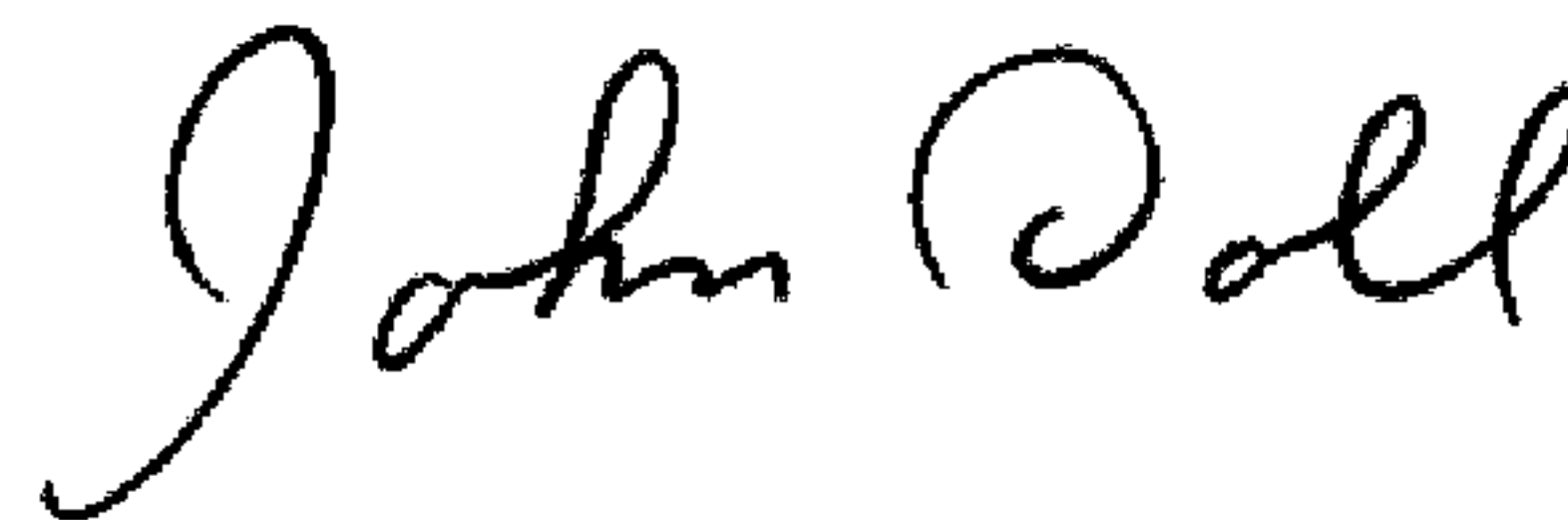
Title page Item [75] in the Inventor section please delete "Milan" and insert therefor --Milano--.

Title page Item [75] in the Assignee section please delete "Milan" and insert therefor --Milano--.

In the Description section Fig. 2 please delete "a mirror image thereof;" and insert therefor --identical thereto;--

Signed and Sealed this

Thirty-first Day of March, 2009



JOHN DOLL  
*Acting Director of the United States Patent and Trademark Office*

UNITED STATES PATENT AND TRADEMARK OFFICE  
**CERTIFICATE OF CORRECTION**

PATENT NO. : Des. 584,130 S  
APPLICATION NO. : 29/317475  
DATED : January 6, 2009  
INVENTOR(S) : Alberto Bertani

Page 1 of 1

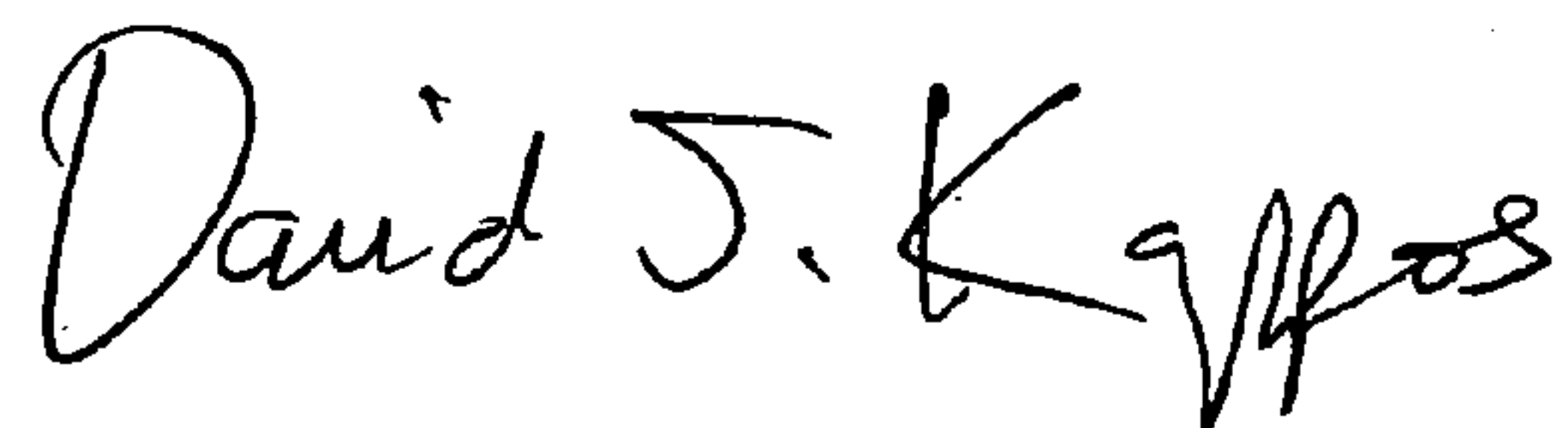
It is certified that error appears in the above-identified patent and that said Letters Patent is hereby corrected as shown below:

On the Title page Item [73] in the Assignee section please delete "Milan" and insert therefor --Milano--.

In the Description section Fig. 2. please delete "identical thereto" and insert therefor --a mirror image thereof--.

Signed and Sealed this

Twenty-seventh Day of October, 2009



David J. Kappos  
*Director of the United States Patent and Trademark Office*