



US00D584128S

(12) **United States Design Patent**
Ricereto

(10) **Patent No.:** **US D584,128 S**
(45) **Date of Patent:** **** Jan. 6, 2009**

(54) **OUTER SURFACE OF A PULL**
(75) Inventor: **Michael Hart Ricereto**, Baltimore, MD
(US)
(73) Assignee: **Newell Operating Company**, Atlanta,
GA (US)
(**) Term: **14 Years**

D409,074 S * 5/1999 Caugh et al. D8/313
D411,728 S * 6/1999 O'Neil D8/305
D411,793 S 7/1999 O'Neil
D414,100 S 9/1999 O'Neil
D416,465 S 11/1999 O'Neil
D435,426 S 12/2000 Short
D501,785 S * 2/2005 Mogus D8/313
D551,055 S * 9/2007 Jou D8/313

(21) Appl. No.: **29/305,762**
(22) Filed: **Mar. 27, 2008**

* cited by examiner
Primary Examiner—Stella M Reid
Assistant Examiner—Mark A Goodwin
(74) *Attorney, Agent, or Firm*—Banner & Witcoff, Ltd

(51) **LOC (9) Cl.** **08-06**
(52) **U.S. Cl.** **D8/313**
(58) **Field of Classification Search** D8/300–303,
D8/305–321, DIG. 1, DIG. 2, DIG. 10; D7/393,
D7/394; D3/318; D6/549, 524, 533, 550;
D23/250–254, 303, 305; D15/89; 292/347;
211/16, 182; 220/752–754; 16/441, 118,
16/110 R, 111 R, DIG. 19, DIG. 30, 110.1,
16/412, 414–420, 443–446

(57) **CLAIM**

I claim the ornamental design for an outer surface of a pull, as shown and described.

See application file for complete search history.

DESCRIPTION

FIG. 1 is a top front perspective view of a pull showing my new design;
FIG. 2 is a side view of the pull shown in FIG. 1, the opposite side view being identical thereto;
FIG. 3 is a front view of the pull shown in FIG. 1;
FIG. 4 is top view of the pull shown in FIG. 1;
FIG. 5 is a bottom view of the pull shown in FIG. 1; and,
FIG. 6 is a rear view of the pull shown in FIG. 1.

(56) **References Cited**

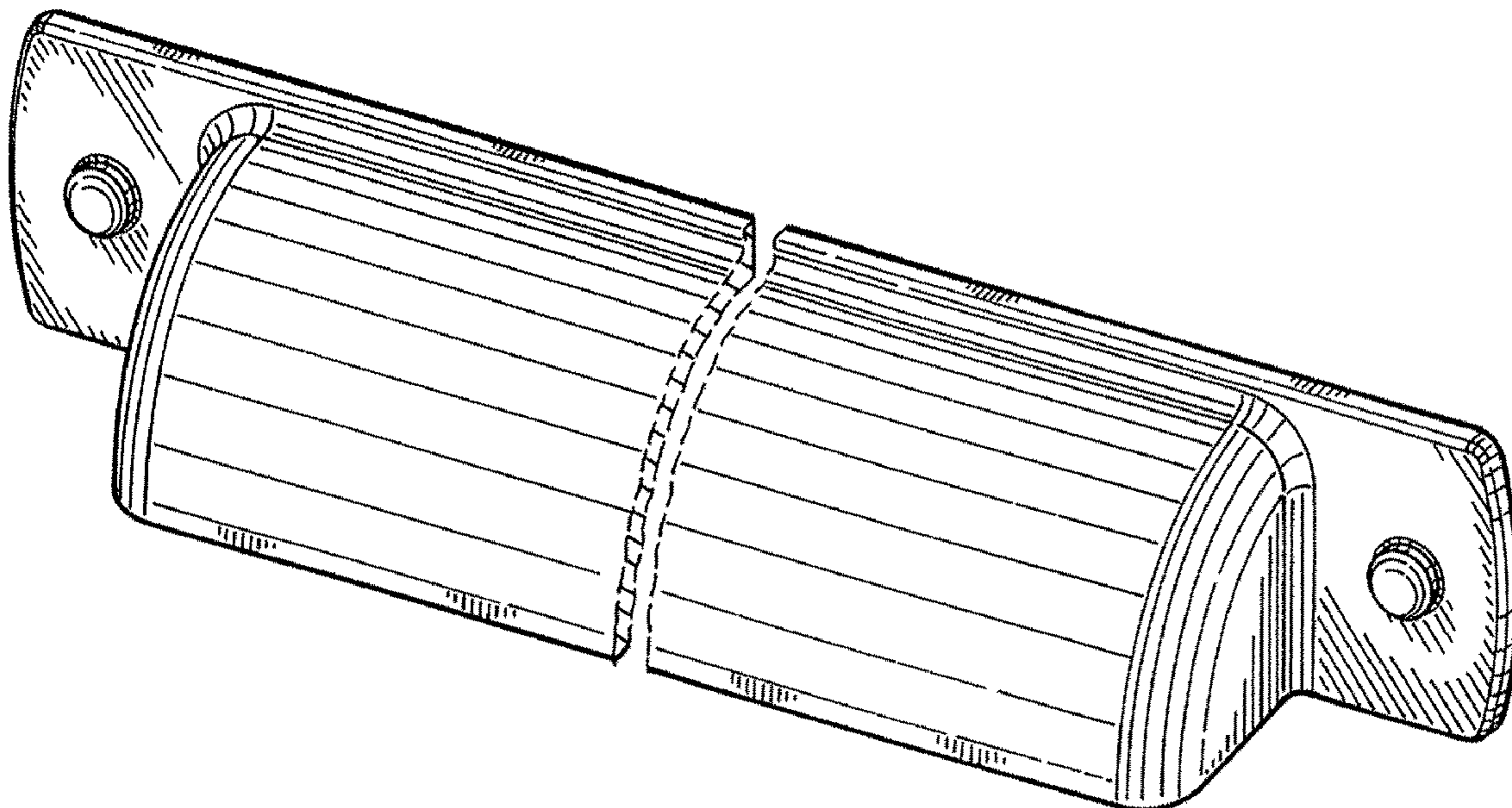
U.S. PATENT DOCUMENTS

D4,822 S * 4/1871 Steele D8/313
D5,192 S * 8/1871 Sargent D8/313
D18,978 S * 4/1889 Coffin D8/313
664,181 A * 12/1900 Shepard 16/416
D71,901 S * 1/1927 Brock D8/313
D109,314 S * 4/1938 De Vries D8/313
D169,533 S * 5/1953 Deadrick D8/319
D297,808 S 9/1988 King
D372,186 S * 7/1996 Caugh et al. D8/313
D379,918 S * 6/1997 Mattson et al. D8/313

Features shown in broken lines in the drawings form no part of the claimed design.

The broken away portion in FIGS. 1 and 3–6 has been shown to indicate indeterminate length.

1 Claim, 2 Drawing Sheets



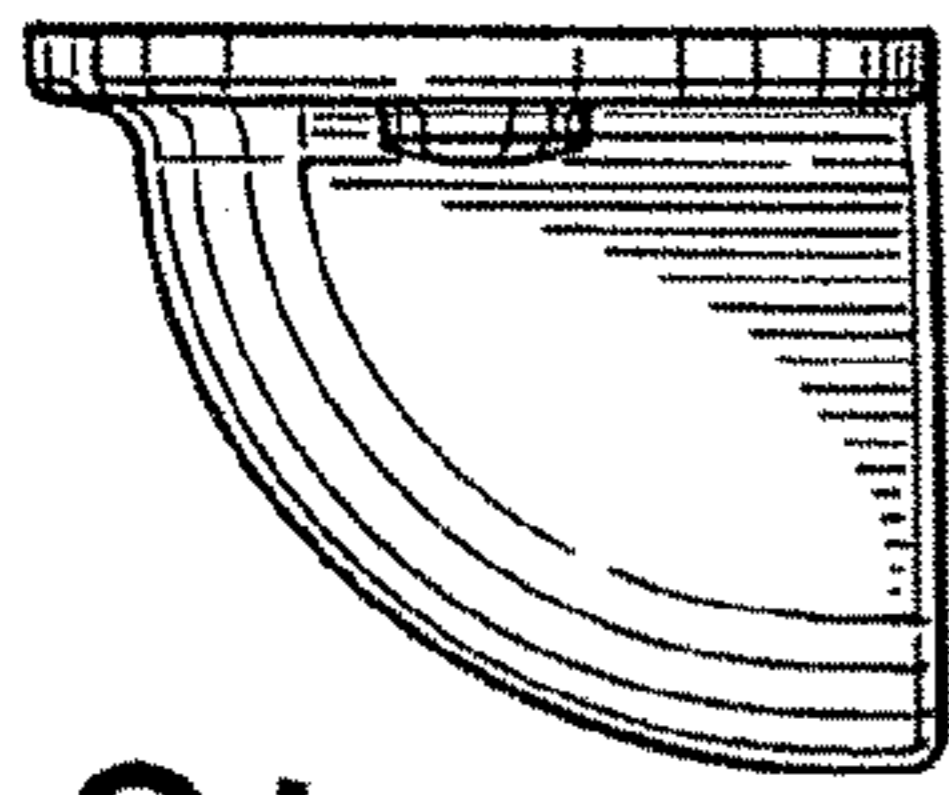


FIG. 2

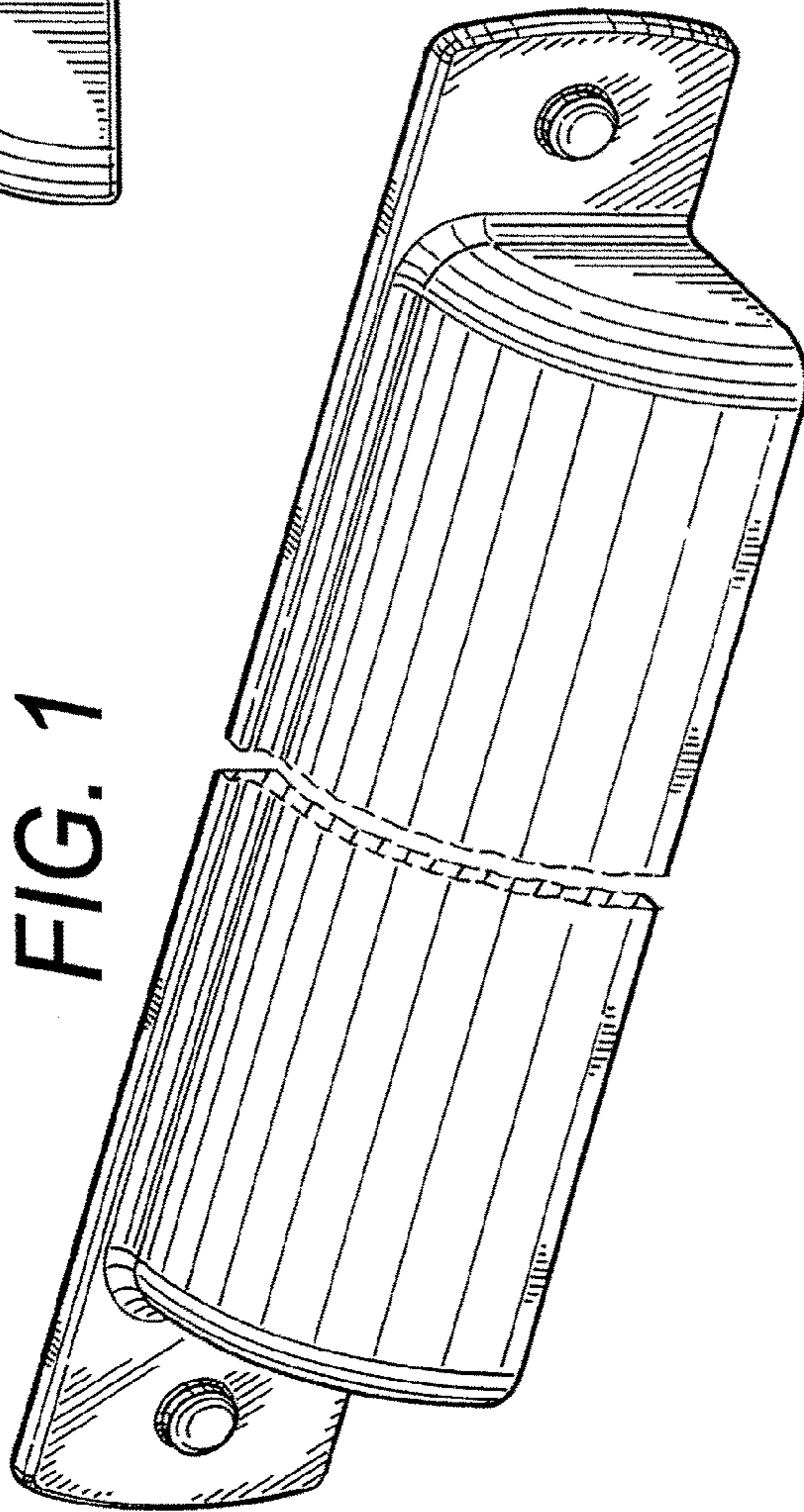


FIG. 1

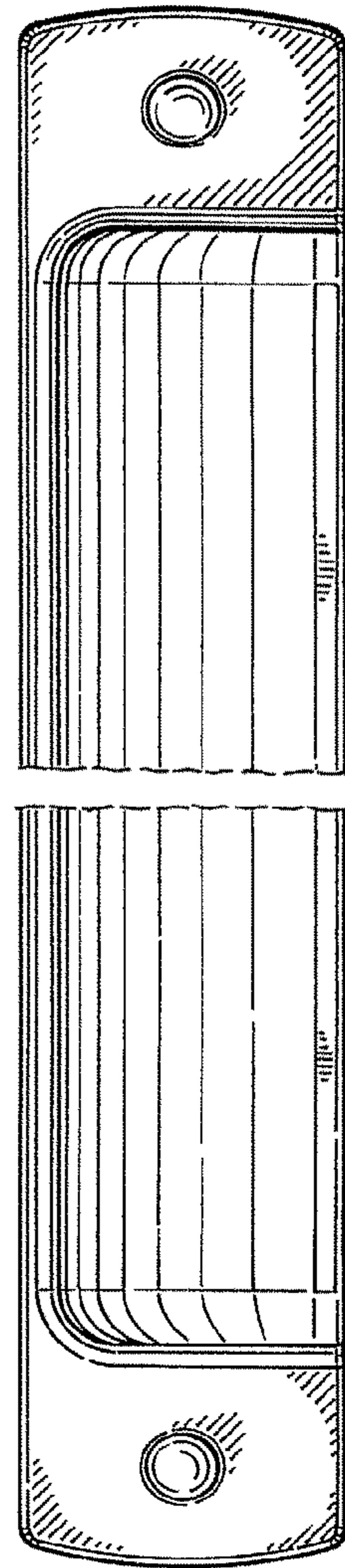


FIG. 3

FIG. 4

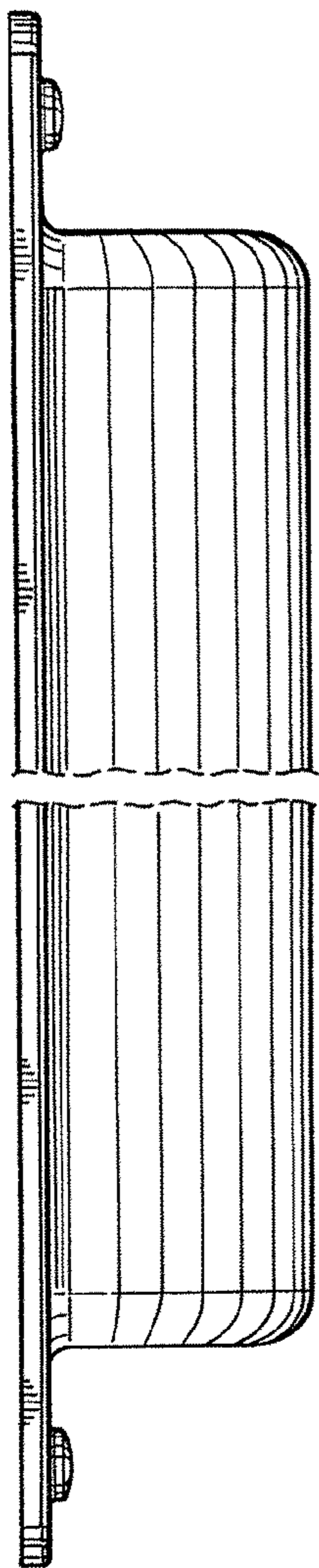


FIG. 5

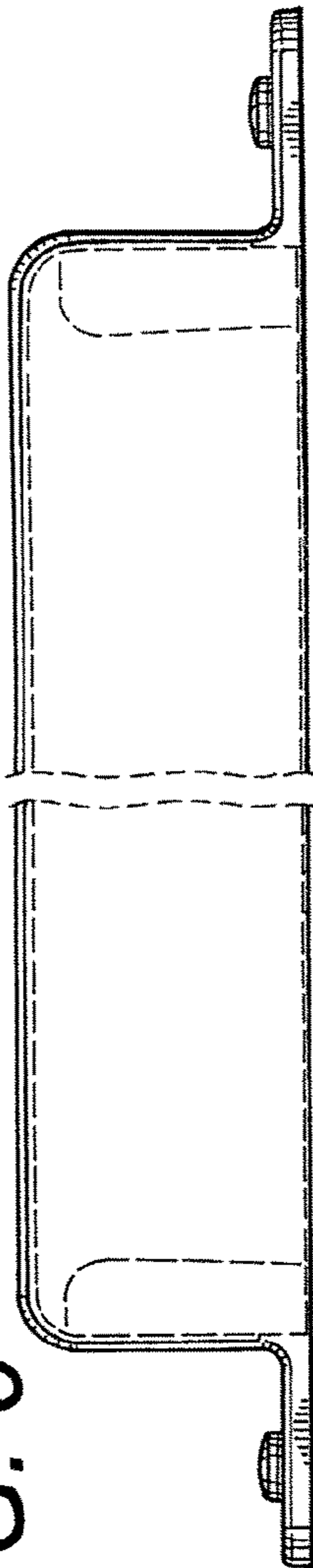


FIG. 6

