

US00D584123S

(12) **United States Design Patent**
Lopano

(10) **Patent No.:** **US D584,123 S**
(45) **Date of Patent:** **** Jan. 6, 2009**

- (54) **IMPACT DRIVER**
- (75) Inventor: **Daniel N. Lopano**, Bel Air, MD (US)
- (73) Assignee: **Black & Decker Inc.**, Newark, DE (US)
- (**) Term: **14 Years**
- (21) Appl. No.: **29/284,234**
- (22) Filed: **Sep. 4, 2007**

Related U.S. Application Data

- (63) Continuation-in-part of application No. 29/278,058, filed on Mar. 19, 2007, now abandoned.

- (51) **LOC (9) Cl.** **08-05**
- (52) **U.S. Cl.** **D8/68**
- (58) **Field of Classification Search** D8/14.1, D8/61, 62, 63, 64, 65, 66, 67, 68, 69, 70; 81/57.11, 429, 454, 455, 456, 469, 489; 173/13, 173/104, 114, 168, 169, 170, 171, 178, 201, 173/211, 213, 217; 408/20, 124, 125, 234, 408/241 R; 451/358; 310/50; 227/8, 113, 227/114, 120, 130, 136, 142; D13/103
See application file for complete search history.

(56) **References Cited**

U.S. PATENT DOCUMENTS

D340,396 S *	10/1993	Ichikawa	D8/68
D392,863 S *	3/1998	Sugimoto et al.	D8/68
D437,761 S *	2/2001	Okumura et al.	D8/68
D462,594 S *	9/2002	Flickinger	D8/68
D477,205 S *	7/2003	Sakai et al.	D8/68
D484,385 S *	12/2003	Sakai et al.	D8/68
6,679,406 B2 *	1/2004	Sakai et al.	408/241 R
D493,344 S *	7/2004	Watson	D8/68
D494,435 S *	8/2004	Hayakawa et al.	D8/68
D499,624 S *	12/2004	Concari et al.	D8/68
D503,879 S *	4/2005	Watson	D8/68

D512,891 S *	12/2005	Aglassinger	D8/68
D514,910 S *	2/2006	Nagasaka et al.	D8/68
D519,808 S *	5/2006	Otsuka et al.	D8/68
D520,832 S *	5/2006	Ozawa et al.	D8/68
D524,136 S *	7/2006	Taniguchi et al.	D8/68
D525,099 S *	7/2006	Nagasaka et al.	D8/68
7,108,079 B2 *	9/2006	Sakai et al.	173/217
7,185,998 B2 *	3/2007	Oomori et al.	408/241 R
7,186,117 B2 *	3/2007	Chen	310/50
D551,047 S *	9/2007	Lopano	D8/68
D559,060 S *	1/2008	Lopano	D8/68
D562,663 S *	2/2008	Wang	D8/68
D567,615 S *	4/2008	Taniguchi et al.	D8/68
2003/0159843 A1 *	8/2003	Sakai et al.	173/217
2005/0121209 A1 *	6/2005	Shimizu et al.	173/170
2005/0155778 A1 *	7/2005	Ishida et al.	173/170
2006/0048959 A1 *	3/2006	Sakai et al.	173/217
2007/0056760 A1 *	3/2007	Yoshimizu et al.	173/217

* cited by examiner

Primary Examiner—T. Chase Nelson

(74) *Attorney, Agent, or Firm*—Scott B. Markow; Adan Ayala

(57) **CLAIM**

The ornamental design for an impact driver, as shown and described.

DESCRIPTION

FIG. 1 is a right/front perspective view of an impact driver showing my new design.

FIG. 2 is a front view thereof.

FIG. 3 is a rear view thereof.

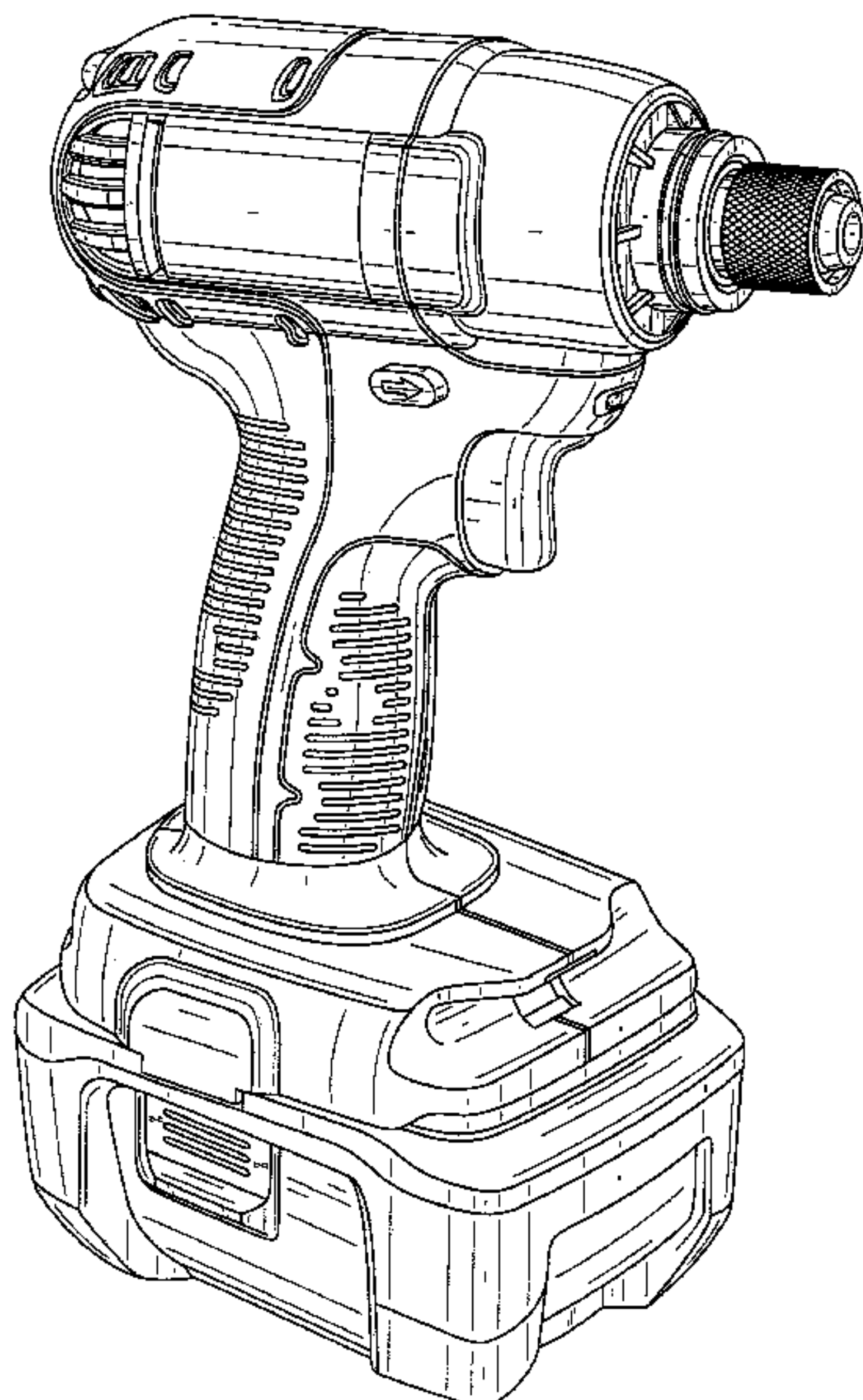
FIG. 4 is a right side view thereof.

FIG. 5 is a left side view thereof.

FIG. 6 is a top view thereof; and,

FIG. 7 is a bottom view thereof.

1 Claim, 7 Drawing Sheets



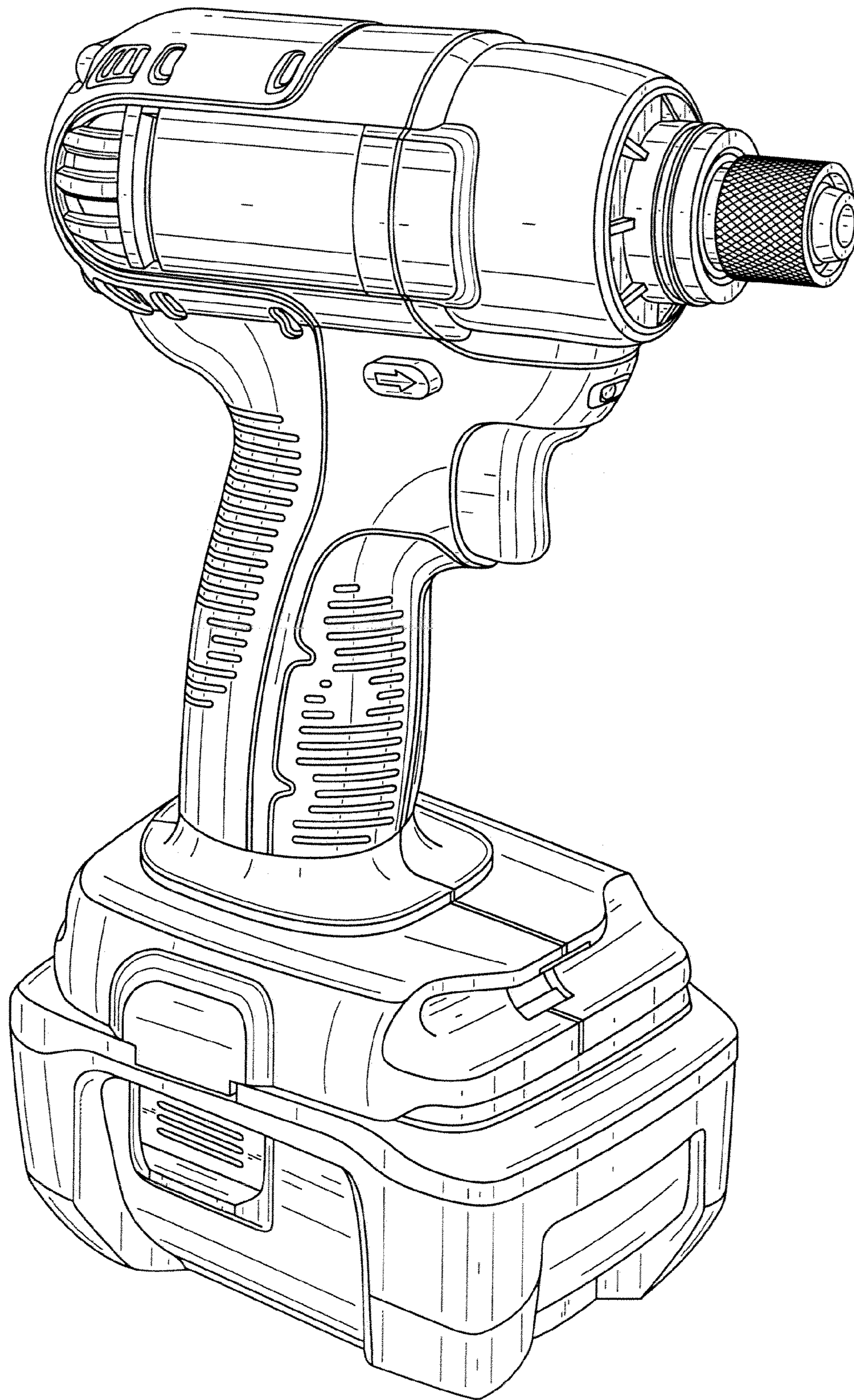


FIG. 1

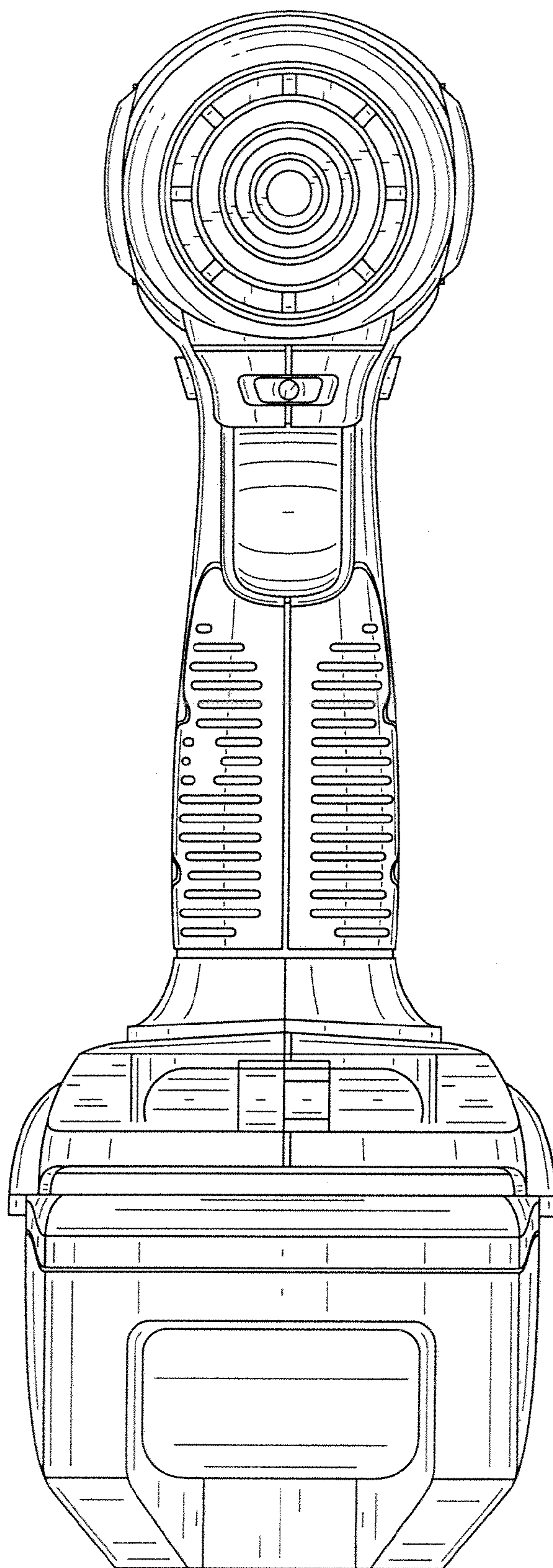


FIG. 2

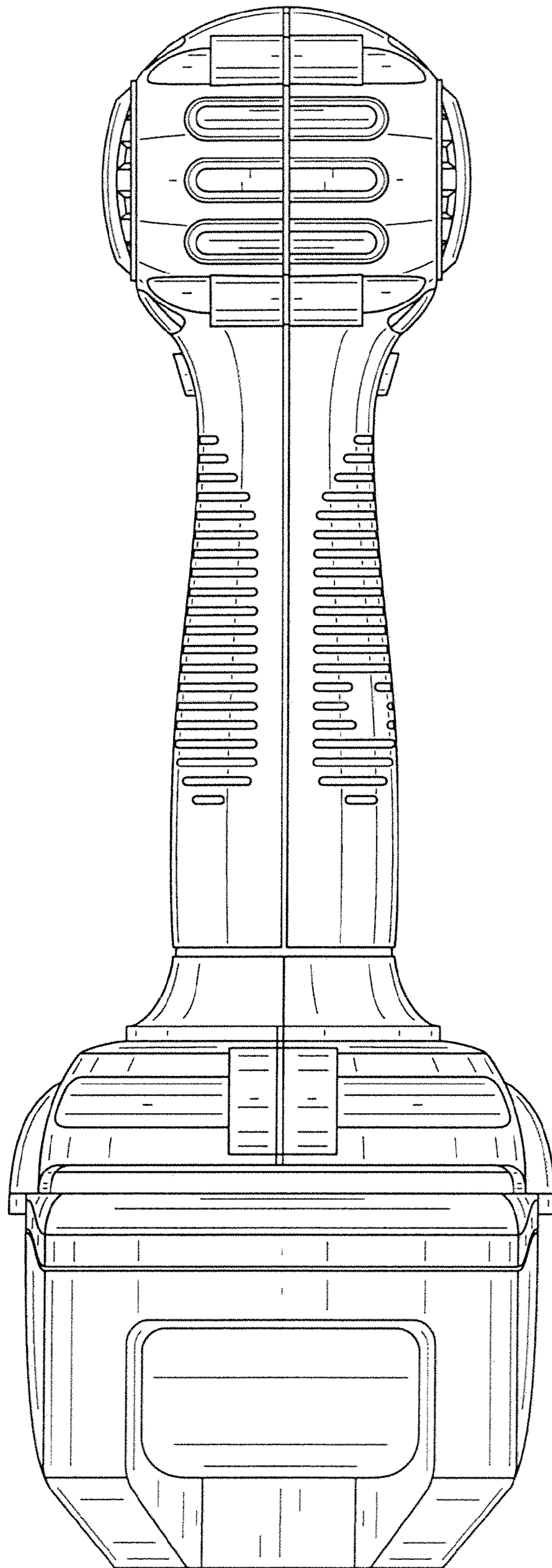


FIG. 3

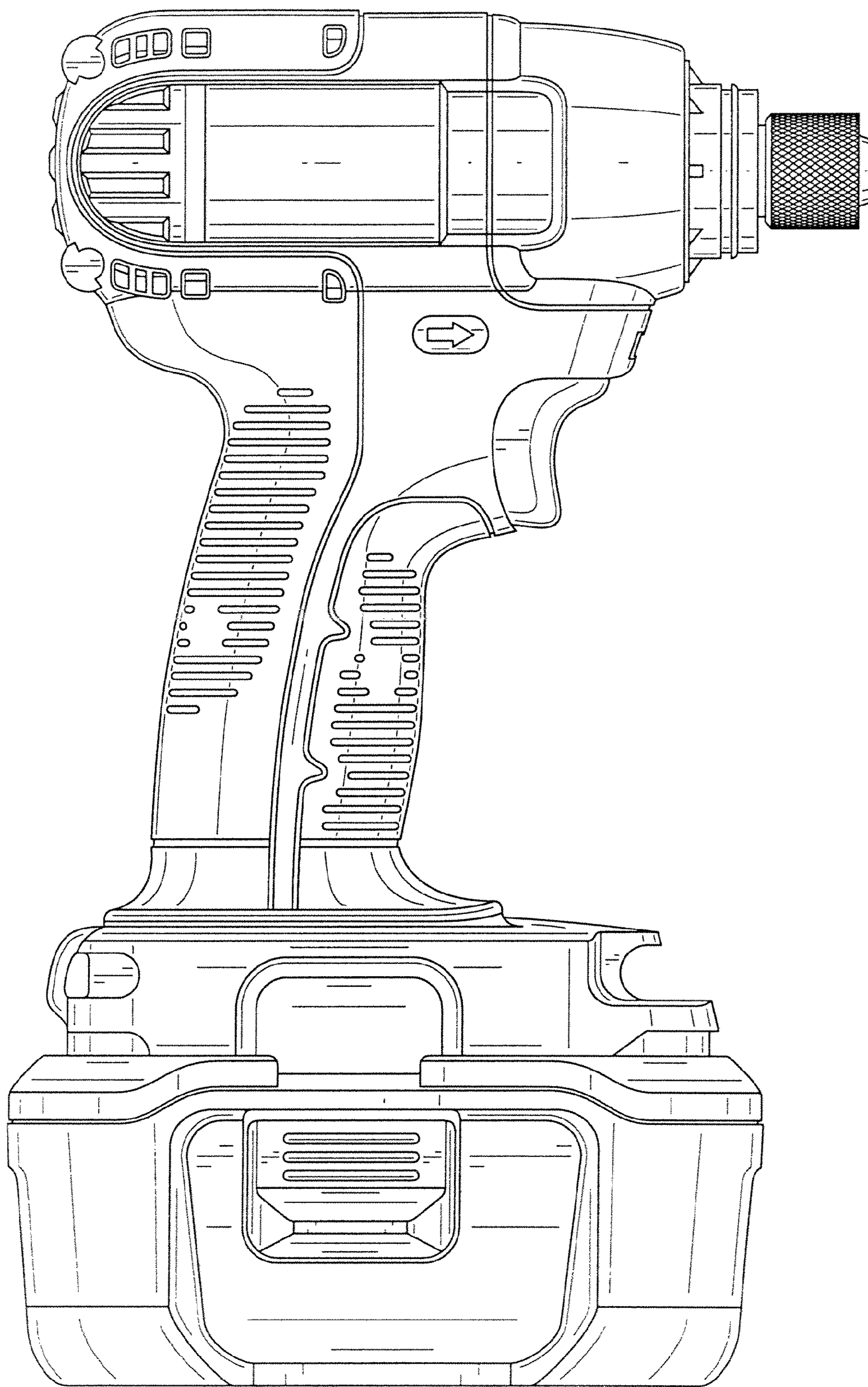


FIG. 4

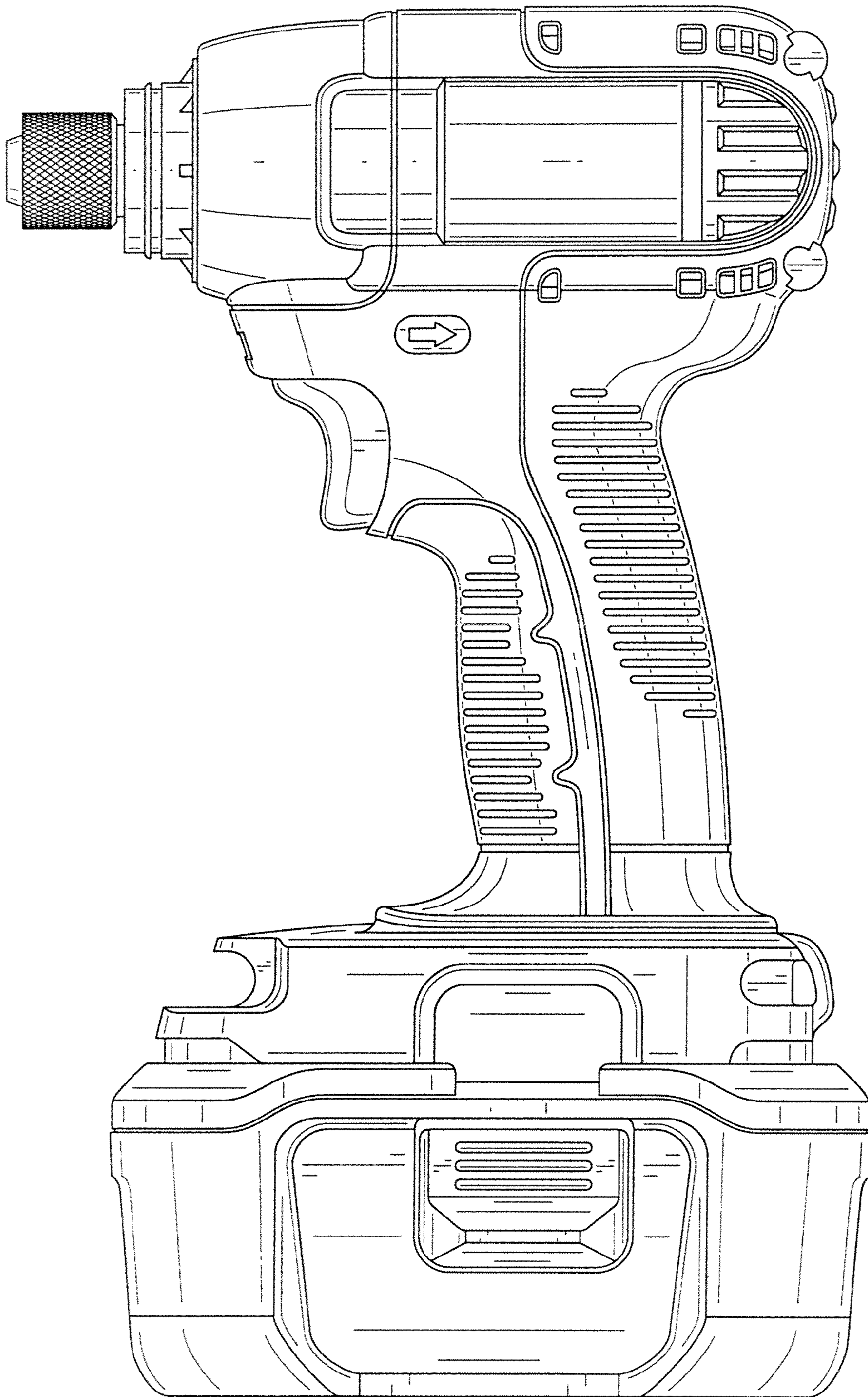


FIG. 5

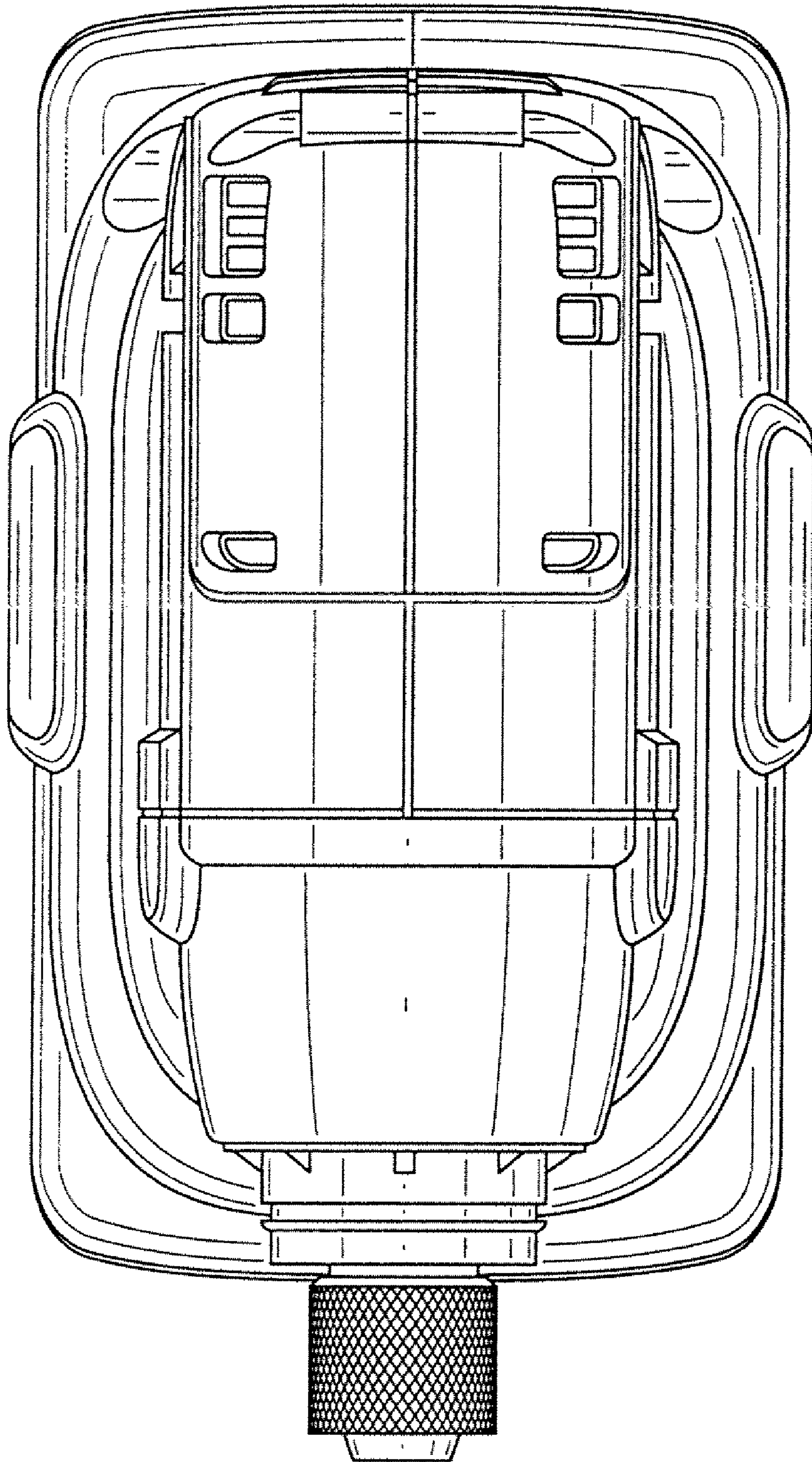


FIG. 6

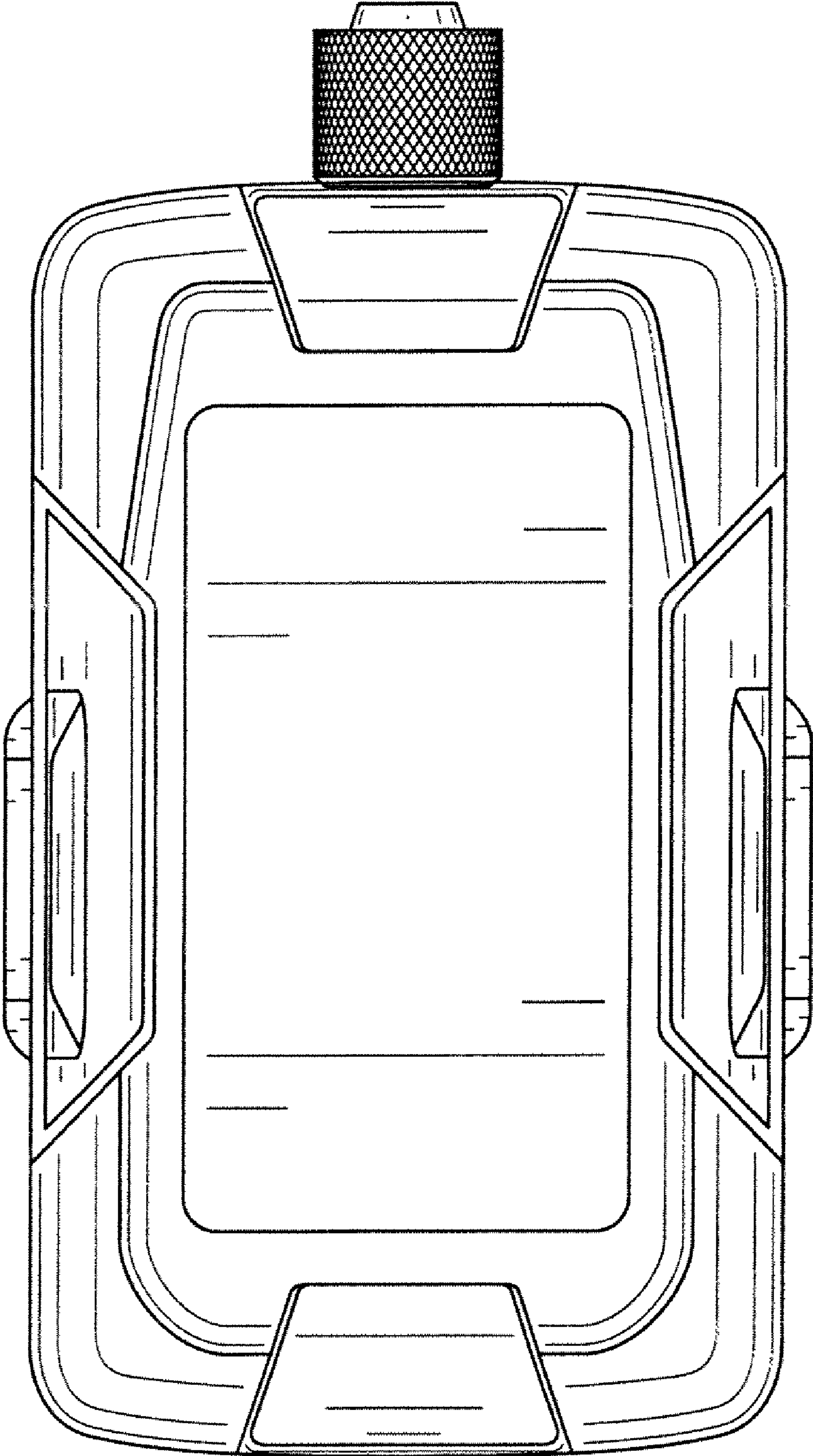


FIG. 7