



US00D584120S

(12) **United States Design Patent**  
**Smith**

(10) **Patent No.:** **US D584,120 S**

(45) **Date of Patent:** **\*\* Jan. 6, 2009**

(54) **STAPLER**

D394,591 S \* 5/1998 Jacquet ..... D8/50  
D466,774 S \* 12/2002 Lee ..... D8/50  
D517,883 S \* 3/2006 Tsai ..... D8/50

(75) Inventor: **Robert S. Smith**, Bend, OR (US)

(73) Assignee: **TSI Manufacturing, LLC**, Bend, OR (US)

(\*\*) Term: **14 Years**

(21) Appl. No.: **29/294,746**

(22) Filed: **Jan. 24, 2008**

(51) **LOC (9) Cl.** ..... **19-02**

(52) **U.S. Cl.** ..... **D8/50**

(58) **Field of Classification Search** ..... D8/49,  
D8/50, 61, 68, 69; D19/72, 73, 65, 69; D21/532;  
D24/145; 7/158, 160; 227/4, 5, 6, 7, 8, 120,  
227/127, 128, 131, 132, 134, 144, 156, 175.1;  
606/139, 143, 153, 219

See application file for complete search history.

(56) **References Cited**

**U.S. PATENT DOCUMENTS**

D120,898 S \* 6/1940 Ruskin ..... D8/50  
D337,928 S \* 8/1993 Huang ..... D8/50  
D350,678 S \* 9/1994 Khan et al. .... D8/50  
D361,025 S \* 8/1995 Ho ..... D8/50  
D369,729 S \* 5/1996 Herbst et al. .... D8/50  
D369,730 S \* 5/1996 Herbst et al. .... D8/50

\* cited by examiner

*Primary Examiner*—Joel Sincavage

*Assistant Examiner*—Austin Murphy

(74) *Attorney, Agent, or Firm*—Chernoff, Vilhauer, McClung & Stenzel, LLP

(57) **CLAIM**

I claim the ornamental design for a stapler, as shown and described.

**DESCRIPTION**

FIG. 1 is a perspective view of a stapler showing my new design.

FIG. 2 is a side elevation view thereof.

FIG. 3 is a top plan view thereof.

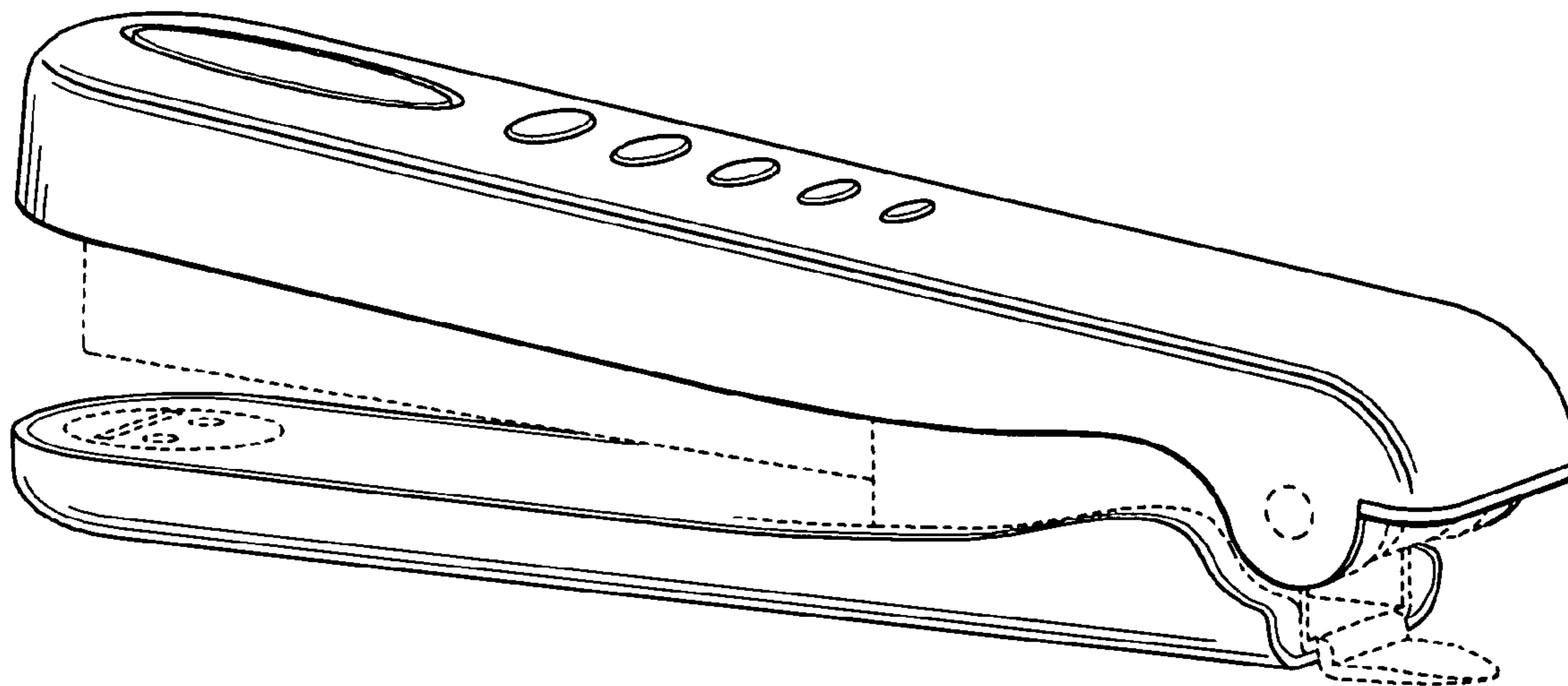
FIG. 4 is an end elevation view of one end thereof.

FIG. 5 is an end elevation view of the other end thereof; and,

FIG. 6 is a bottom plan view thereof.

The broken line showing the remainder of the stapler is for illustration purposes only and forms no part of the claimed design.

**1 Claim, 2 Drawing Sheets**



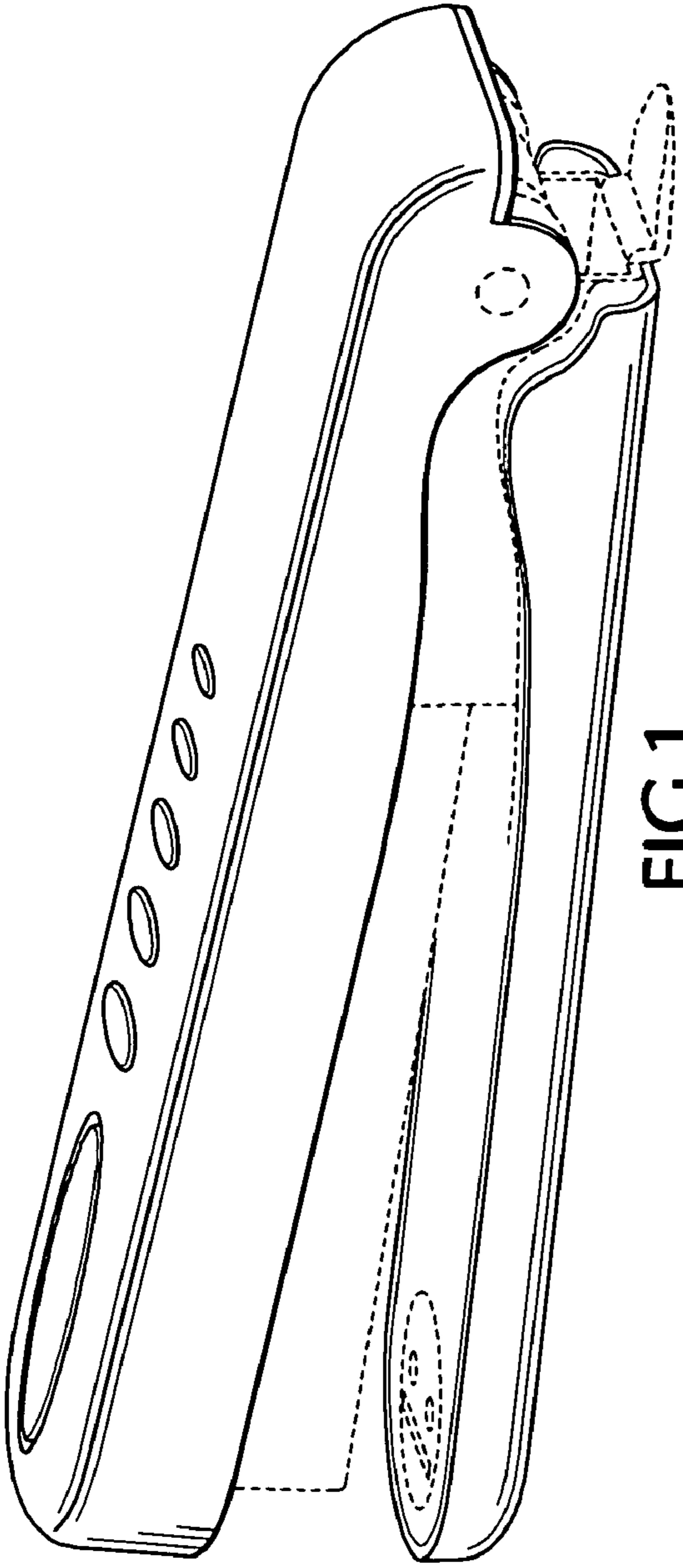


FIG.1

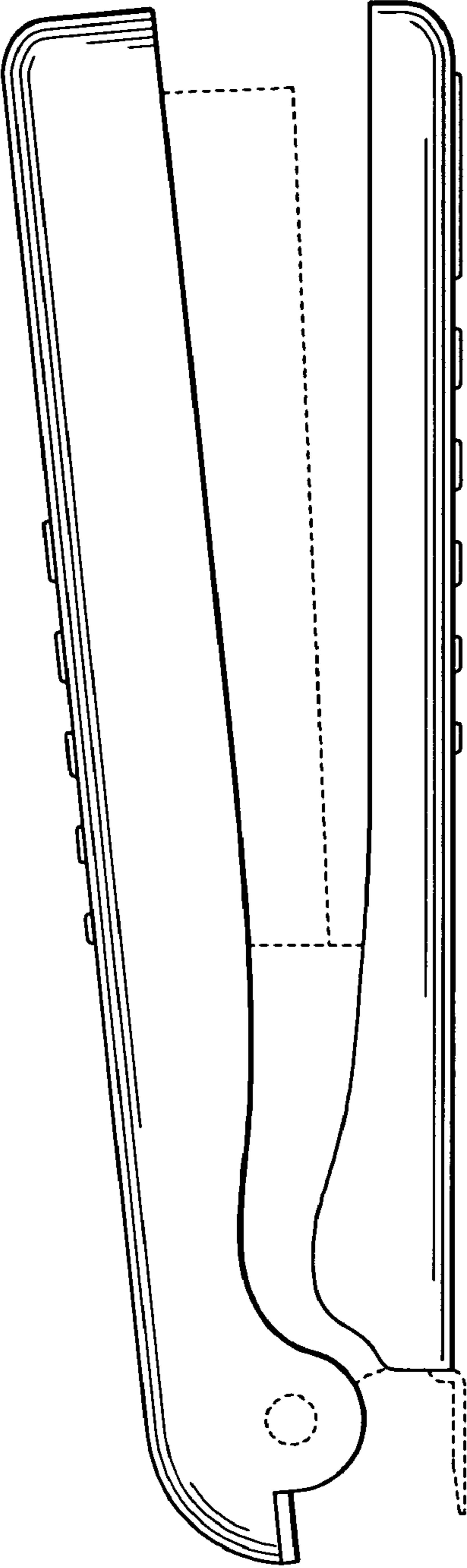


FIG.2

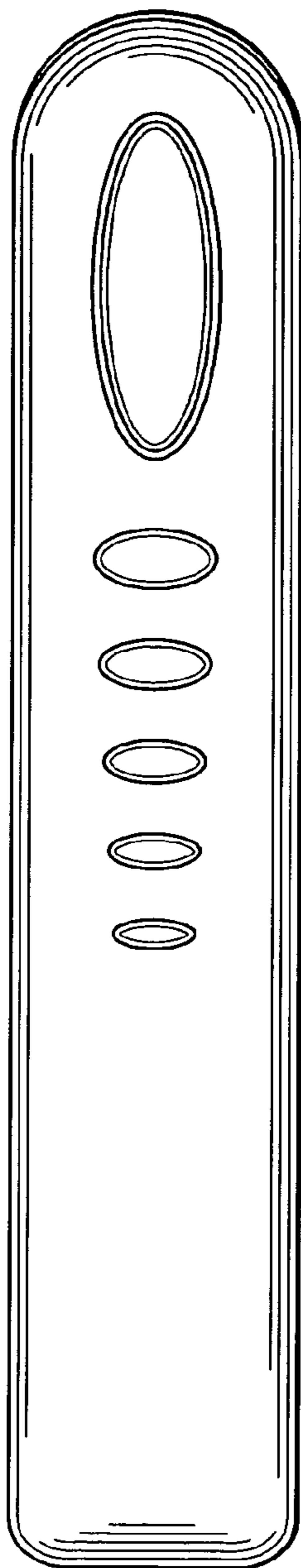


FIG. 3

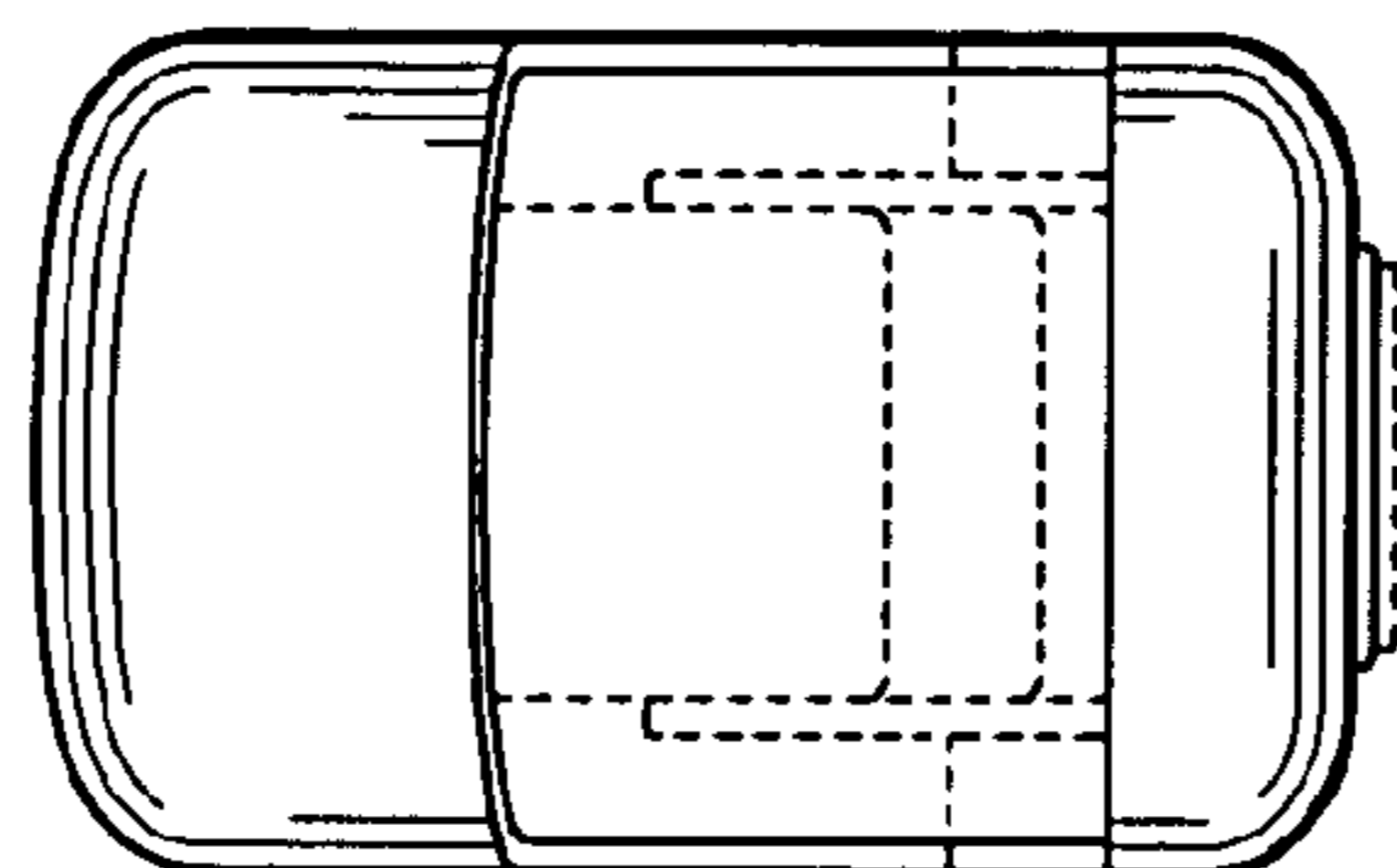


FIG. 4

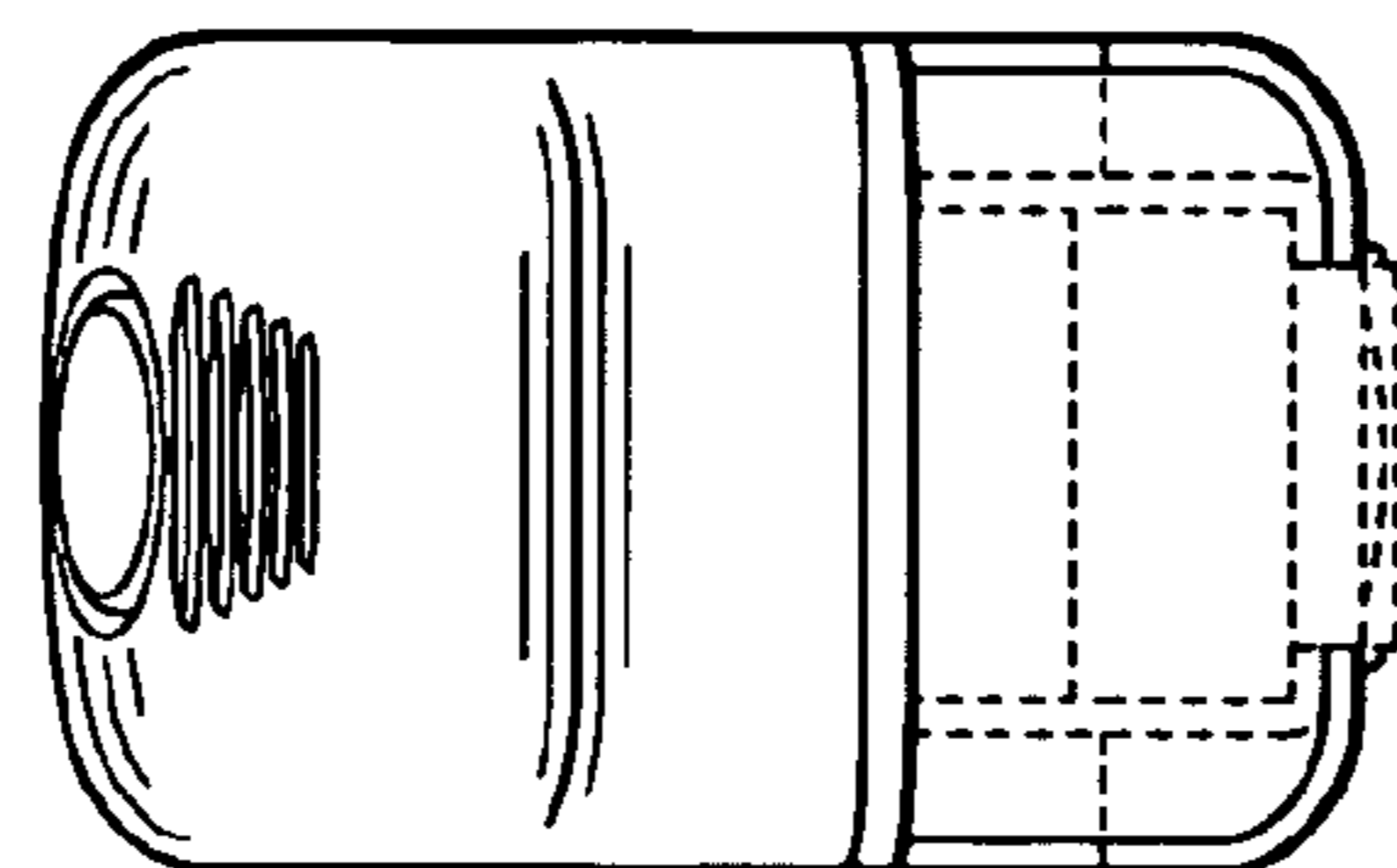


FIG. 5

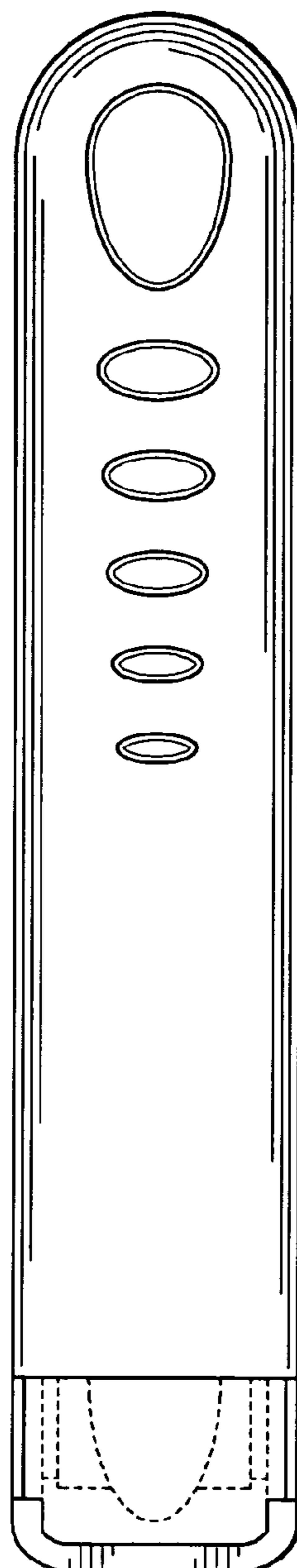


FIG. 6