



US00D584113S

(12) **United States Design Patent**
Mah et al.

(10) **Patent No.:** **US D584,113 S**

(45) **Date of Patent:** **** Jan. 6, 2009**

(54) **SUPPORT AND STORAGE BOX FOOD PROCESSOR**

D543,422 S * 5/2007 Kaposi D7/674

* cited by examiner

(75) Inventors: **Pat Y. Mah**, Kowloon (HK); **Alexander Joseph Kalogroulis**, Coulsdon (GB)

Primary Examiner—Terry A Wallace

(74) *Attorney, Agent, or Firm*—Curtis L. Harrington; Kathy E. Harrington; Harrington & Harrington

(73) Assignee: **Daka Research Inc. (Br. Virg. Isl Corp.) Offshore Incorporations Centre**, Tortola (VG)

(57) **CLAIM**

(**) Term: **14 Years**

The ornamental design for a support and storage box food processor, as shown and described.

(21) Appl. No.: **29/294,564**

DESCRIPTION

(22) Filed: **Jan. 16, 2008**

FIG. 1 is a perspective view of the support and storage box food processor, the main portion of the food processor supported over the box support portion; the storage blades and support shown in dashed line format and forming no part of the invention hereof;

(51) **LOC (9) Cl.** **07-04**

(52) **U.S. Cl.** **D7/672**

(58) **Field of Classification Search** D7/672–677, D7/373, 374, 381, 384, 412; 83/651.1, 648; 30/278–291; 241/273.1–273.4, 93, 95, 168, 241/169, 101.1, 37.5, 36

FIG. 2 is a rear view;

FIG. 3 is a front view;

FIG. 4 is a right side view;

FIG. 5 is a left side view;

FIG. 6 is a top view; and

FIG. 7 is a bottom view; and,

See application file for complete search history.

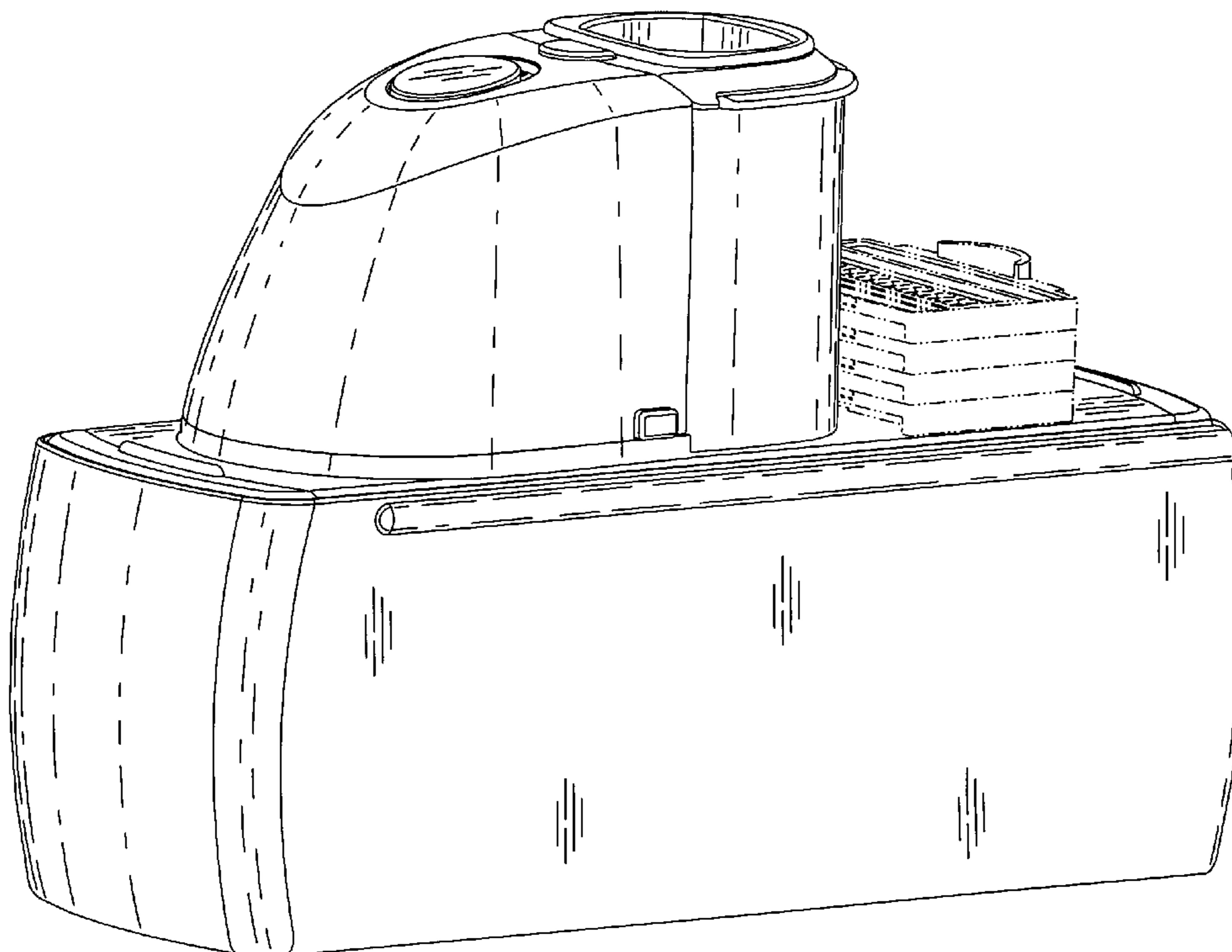
FIG. 8 is a perspective view showing the box support portion in a position removed from the the main portion of the food processor and placed over the upper portion to form a covered storage configuration.

(56) **References Cited**

U.S. PATENT DOCUMENTS

4,513,501	A *	4/1985	Lee	30/115
4,697,488	A *	10/1987	Cole	83/437.2
D368,622	S *	4/1996	Izumi	D7/384
5,692,424	A *	12/1997	Wallace	83/167
D443,800	S *	6/2001	Weterrings	D7/670
D512,609	S *	12/2005	Kaposi	D7/672

1 Claim, 6 Drawing Sheets



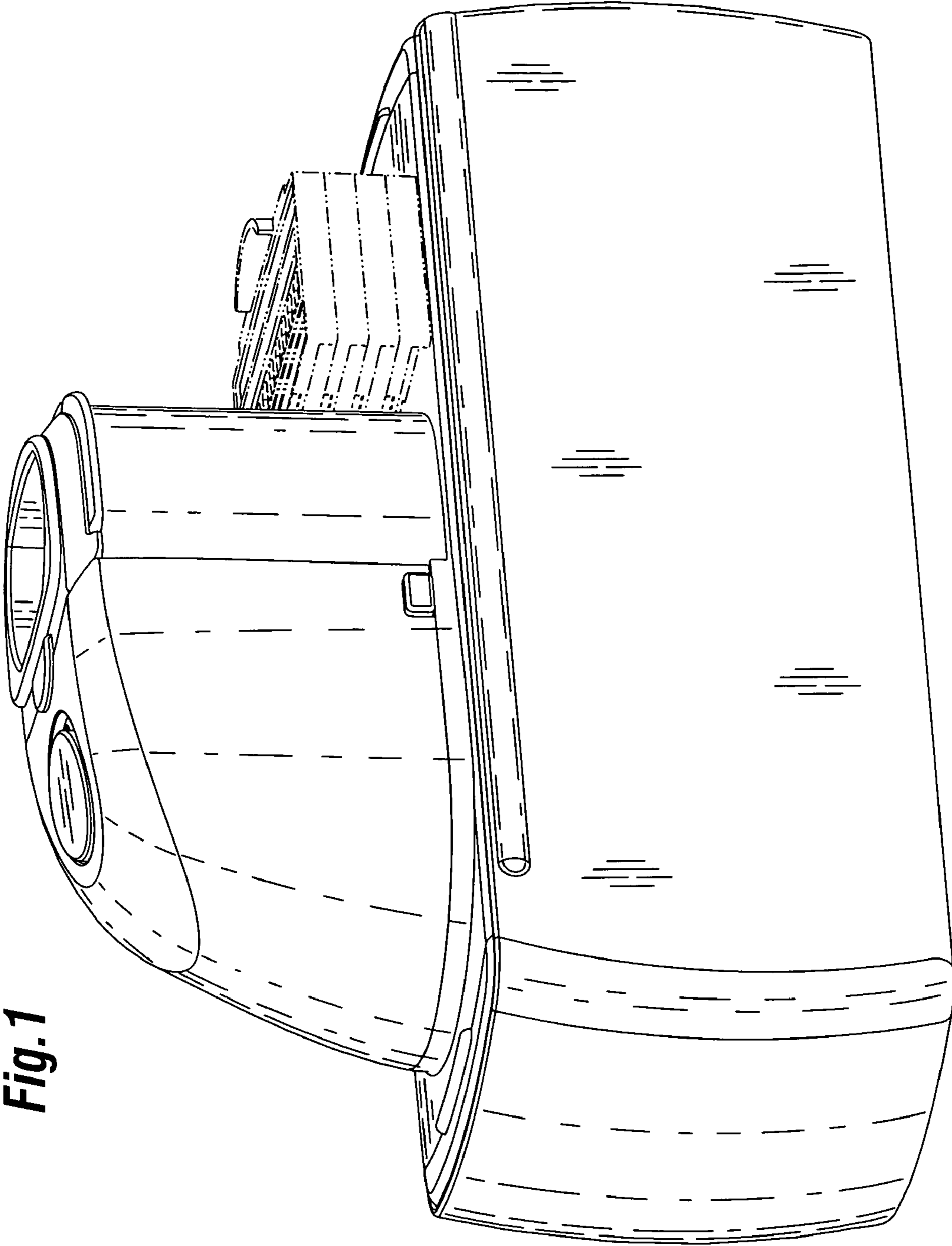


Fig. 1

Fig.3

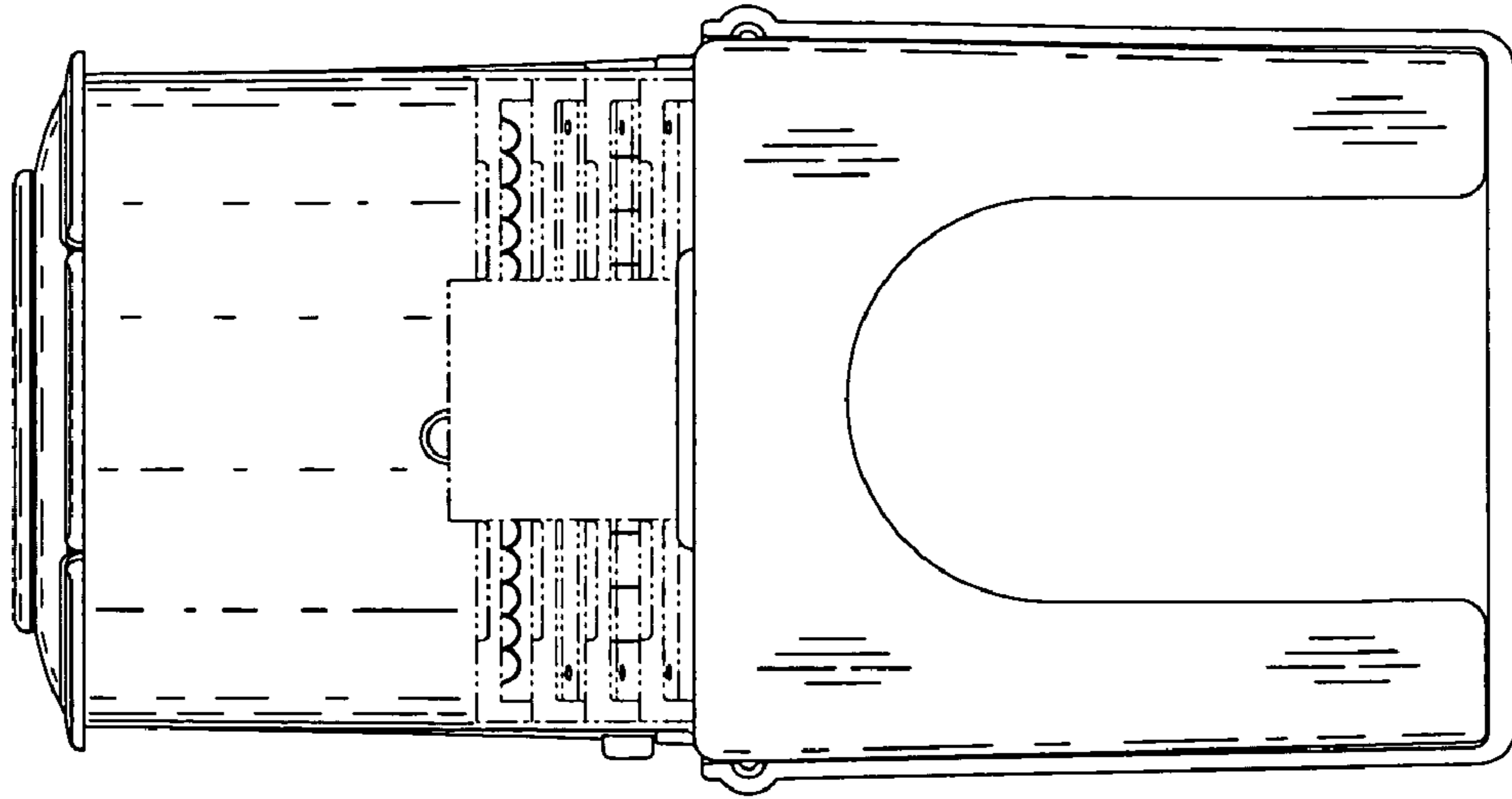


Fig.2

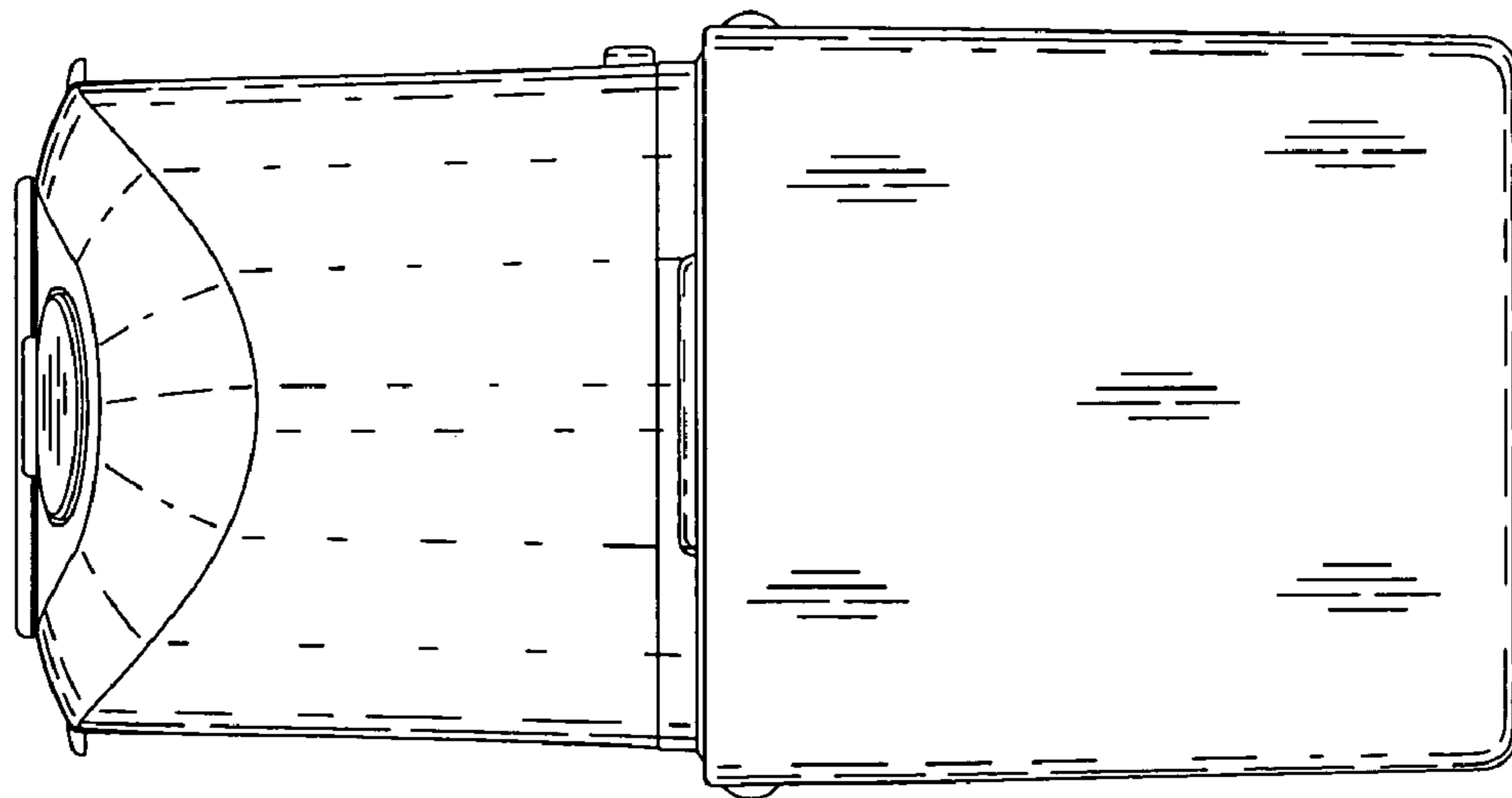


Fig. 4

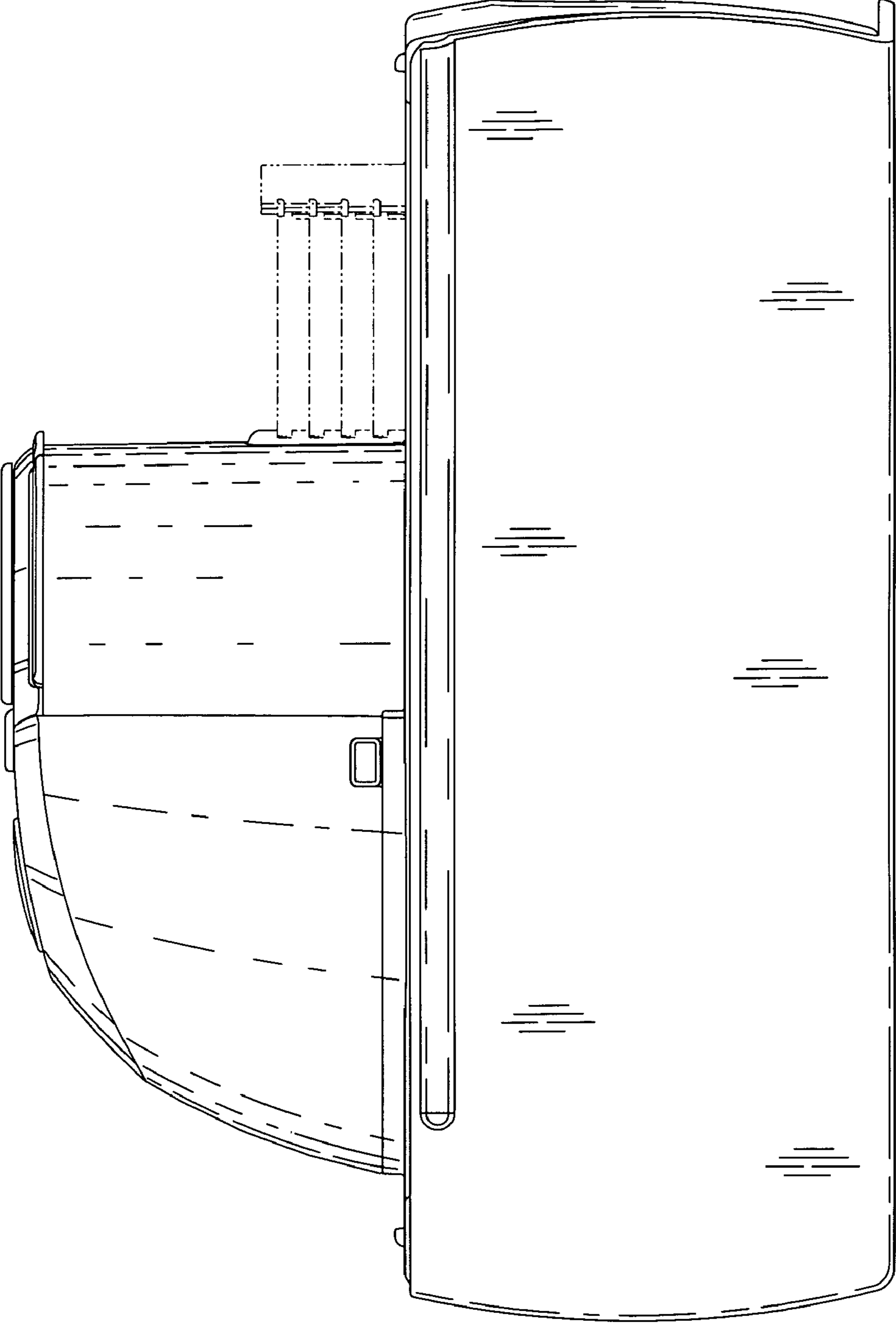


Fig. 5

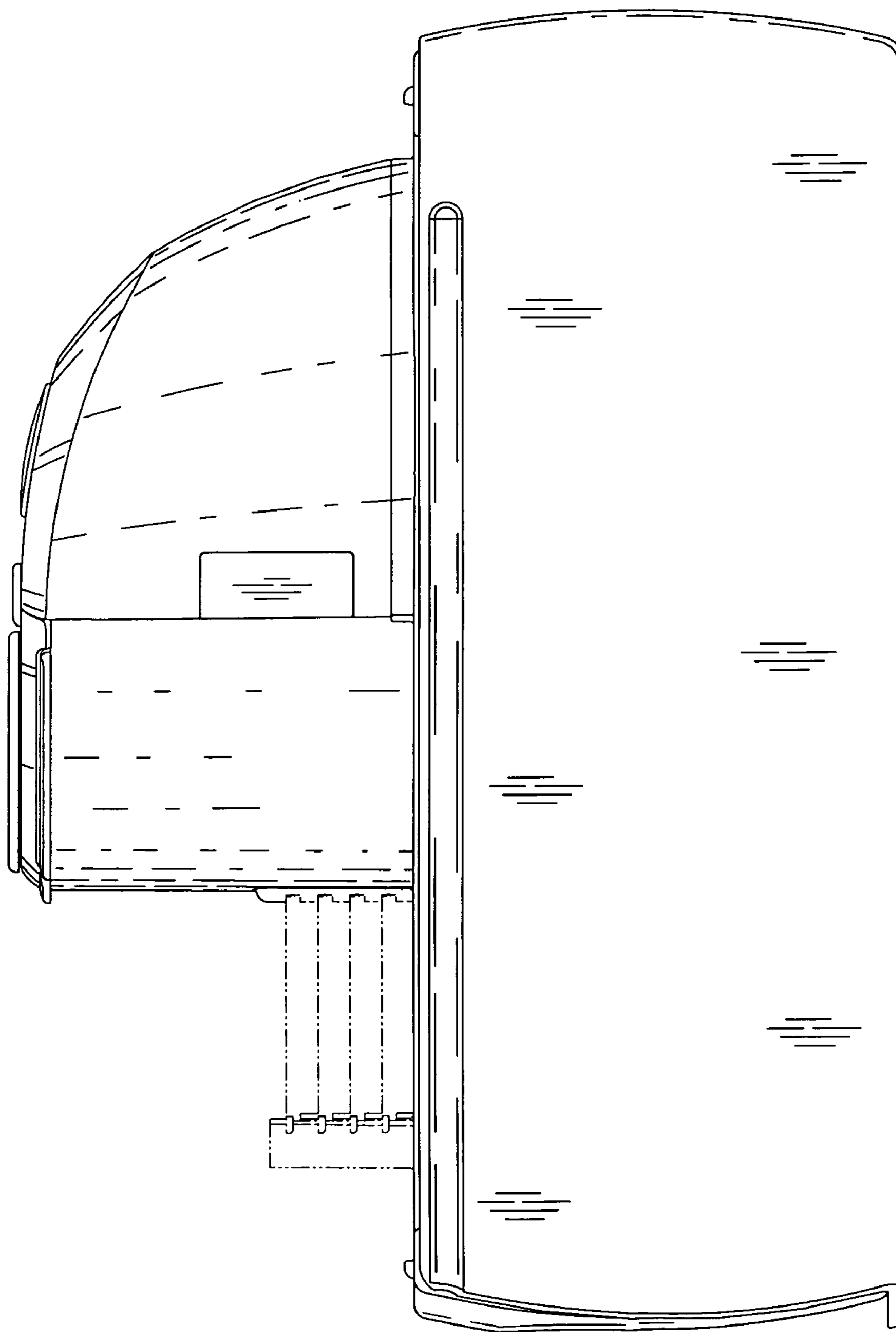


Fig. 6

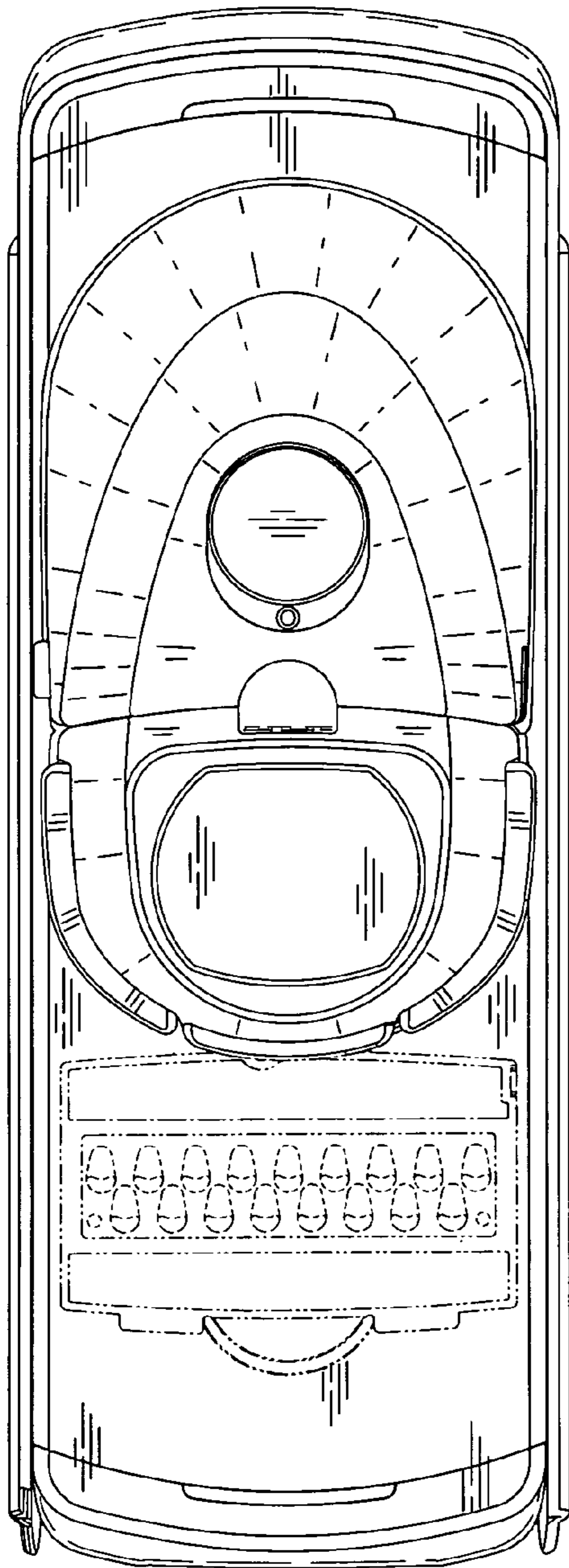


Fig. 7

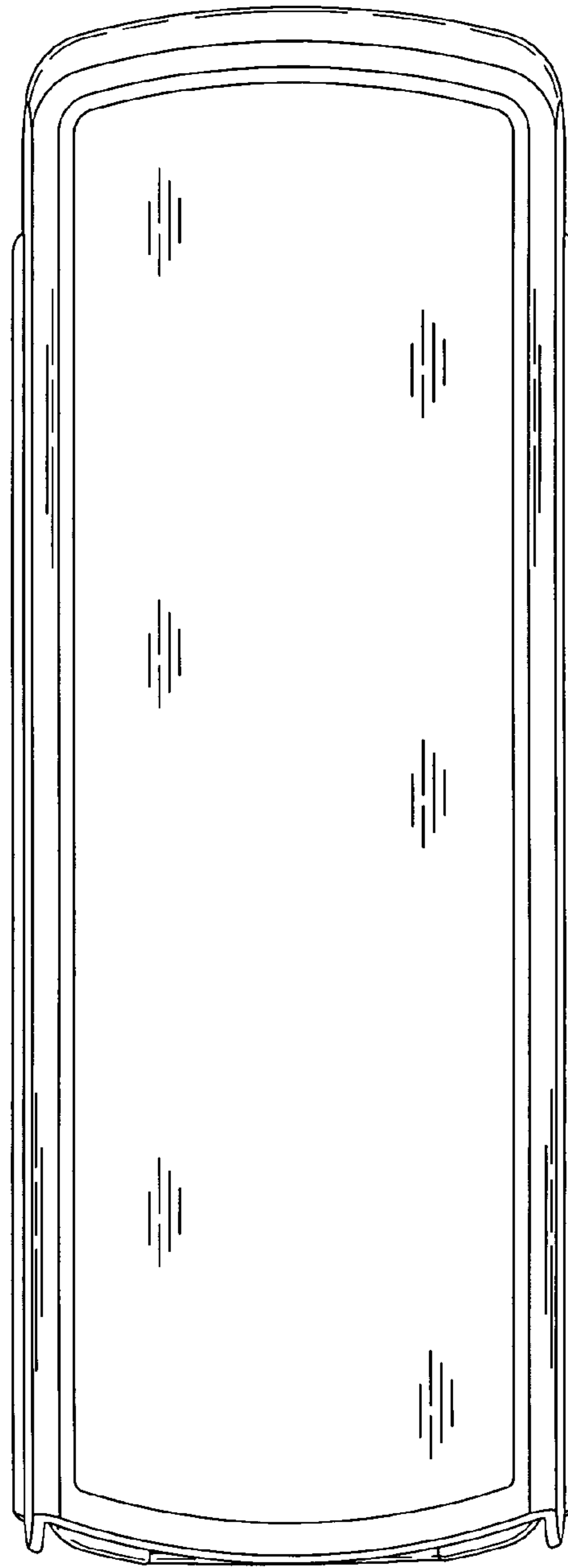


Fig. 8

