

US00D584109S

(12) **United States Design Patent**
Krog

(10) **Patent No.:** **US D584,109 S**

(45) **Date of Patent:** **** Jan. 6, 2009**

(54) **PORTABLE COOLER**

(76) Inventor: **Torben Krog**, Kiderisvej 13, Herning
(DK) DK-7400

(**) Term: **14 Years**

(21) Appl. No.: **29/296,545**

(22) Filed: **Oct. 23, 2007**

(51) **LOC (9) Cl.** **07-01**

(52) **U.S. Cl.** **D7/608; D7/313**

(58) **Field of Classification Search** D7/313,
D7/300, 312, 306, 605-608; 62/457.1-457.7,
62/386, 371, 372; 222/131, 396, 183, 129.1,
222/185.1, 146.6, 144, 469; 215/12.1, 12.2,
215/13.1

See application file for complete search history.

(56) **References Cited**

U.S. PATENT DOCUMENTS

- 3,298,554 A * 1/1967 Piker 215/12.2
- D210,307 S * 2/1968 Branscum D7/313
- 3,910,461 A * 10/1975 Eager 222/131
- D261,088 S * 10/1981 Akimov et al. D7/608

- 4,505,408 A * 3/1985 Sagol 222/185.1
- D293,409 S * 12/1987 Seike et al. D7/313
- D307,693 S * 5/1990 Rezman D7/608
- D309,396 S * 7/1990 Lundblade et al. D7/313
- D344,657 S * 3/1994 Knopp D7/313
- D419,822 S * 2/2000 Woodyard D7/313
- 6,176,387 B1 * 1/2001 Boler 220/592.16

* cited by examiner

Primary Examiner—Terry A Wallace

(74) *Attorney, Agent, or Firm*—Baker & Hustetler, LLP

(57) **CLAIM**

The ornamental design for a portable cooler, as shown and described.

DESCRIPTION

FIG. 1 is an isometric view of the portable cooler showing my new design;

FIG. 2 is a front view of the portable cooler shown in FIG. 1; and,

FIG. 3 is a back view of the portable cooler shown in FIG. 1 rotated 100°.

1 Claim, 3 Drawing Sheets



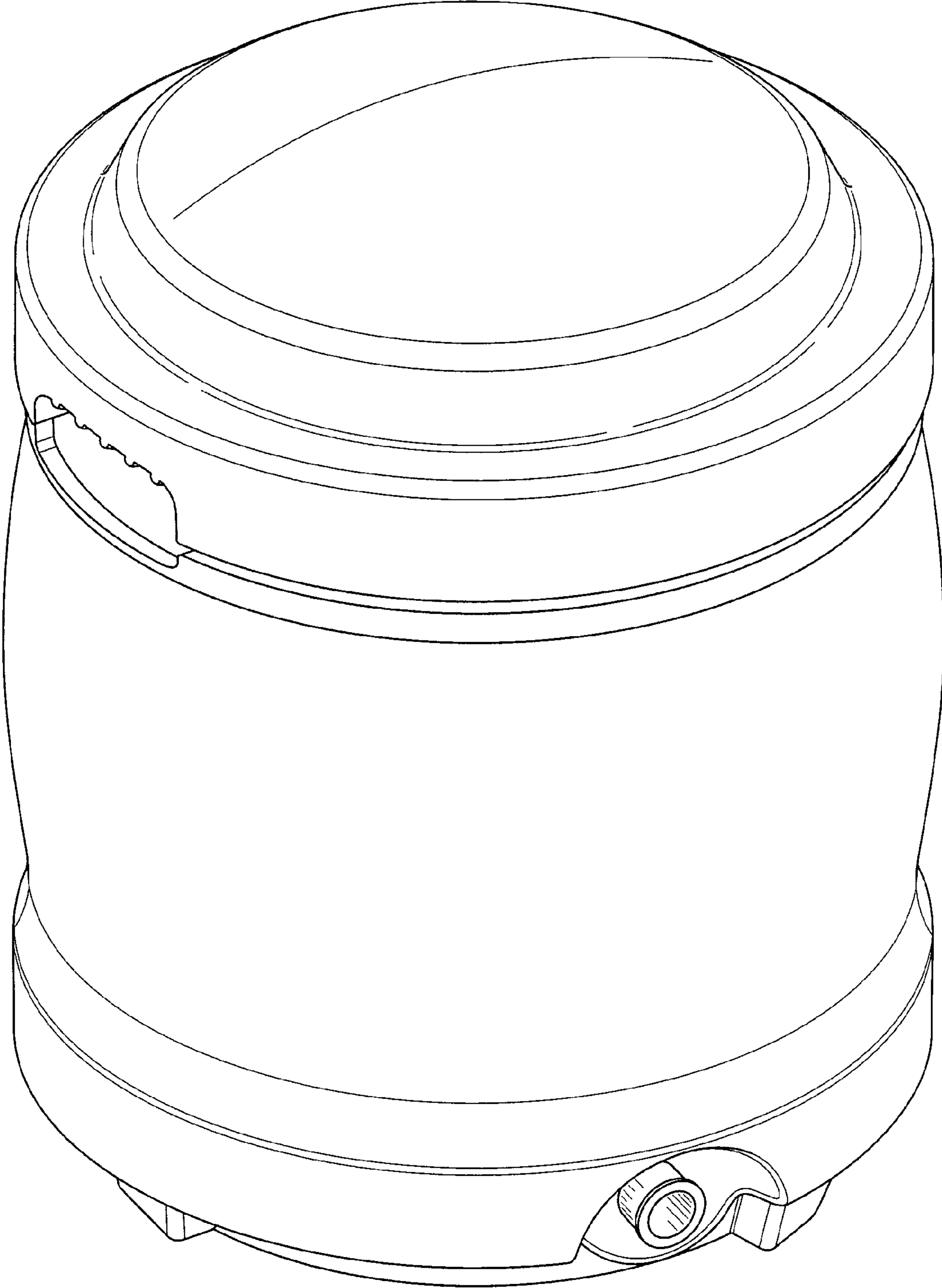


FIG. 1

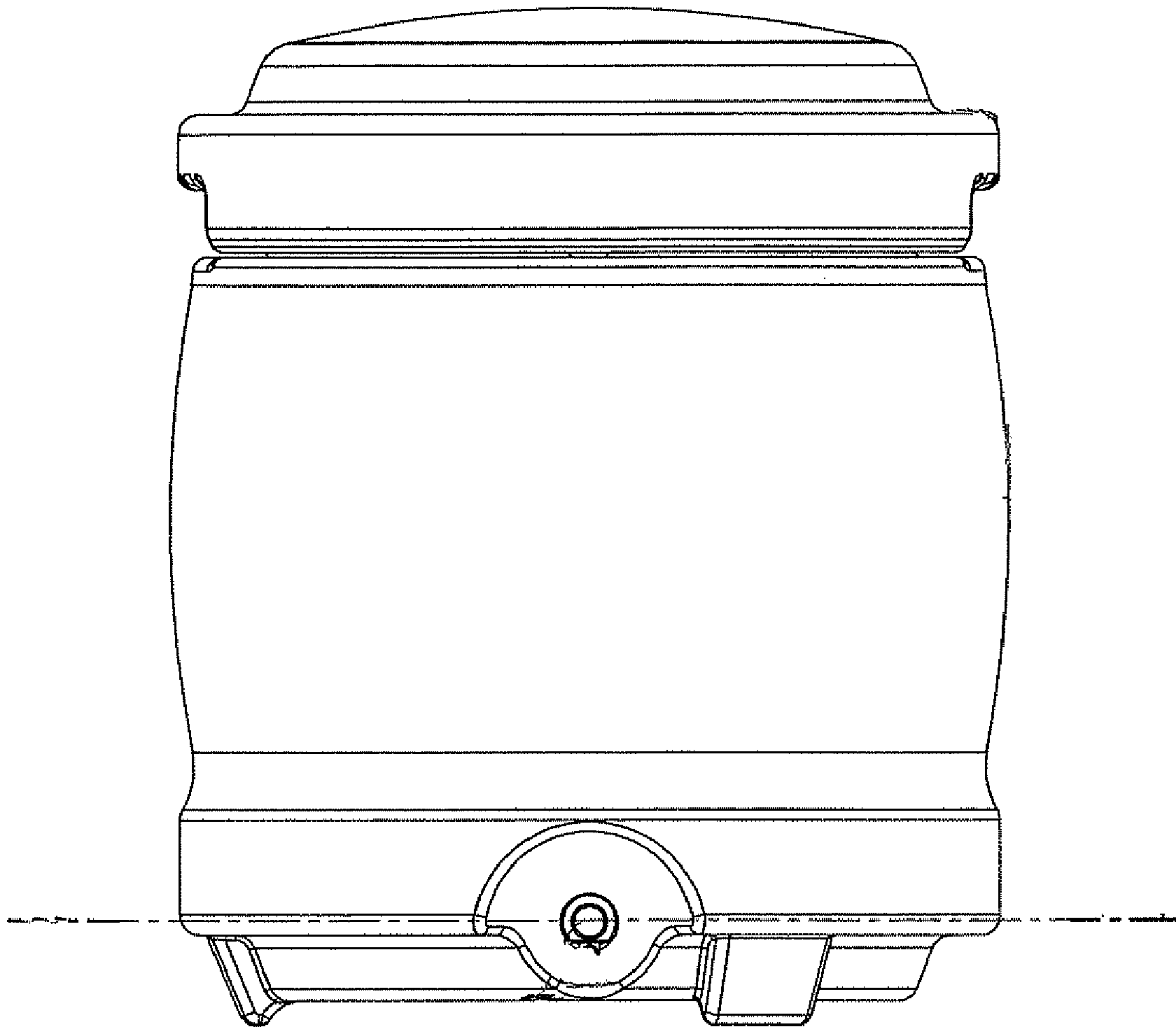


FIG. 2

FIG. 3

