



US00D584108S

(12) **United States Design Patent**
Olsson

(10) **Patent No.:** **US D584,108 S**

(45) **Date of Patent:** **** Jan. 6, 2009**

(54) **TRAY FOR PACKING FOODS**

(56)

References Cited

(75) Inventor: **Kenth Olsson**, Halmstad (SE)

U.S. PATENT DOCUMENTS

(73) Assignee: **Duni AB** (SE)

(**) Term: **14 Years**

(21) Appl. No.: **29/320,467**

(22) Filed: **Jun. 27, 2008**

202,939 A *	4/1878	Frost et al.	220/574
D184,888 S *	4/1959	Picket	D7/555
D256,648 S *	9/1980	Painter et al.	D7/545
D285,514 S *	9/1986	Ritman	D7/354
D346,934 S *	5/1994	Littlejohn	D7/549
D505,082 S *	5/2005	Bruce et al.	D9/737
D562,078 S *	2/2008	Herssein	D7/555

Related U.S. Application Data

(62) Division of application No. 29/275,069, filed on Dec. 12, 2006.

(30) **Foreign Application Priority Data**

Jun. 13, 2006	(EM)	000543913-0001
Jun. 13, 2006	(EM)	000543913-0002
Jun. 13, 2006	(EM)	000543913-0003

* cited by examiner

Primary Examiner—Charles A Rademaker

Assistant Examiner—Charles D Hanson

(74) *Attorney, Agent, or Firm*—Ostrolenk, Faber, Gerb & Soffen, LLP

(51) **LOC (9) Cl.** **07-01**

(52) **U.S. Cl.** **D7/553.1; D9/425**

(58) **Field of Classification Search** D7/542, D7/545, 550.1, 552.1, 553.1, 553.6, 554.2, D7/555, 669, 682, 688, 683, 686, 354, 356, D7/360, 376, 380, 553.4, 553.7, 642, 566, D7/570, 501; D9/424, 425, 428, 429, 431, D9/500, 502, 737, 761, 420, 422-426, 414-418; 220/904, 23.83, 574, 212, 657, 659, 755, 220/771, 555-557, 500, 506, 528, 529; 206/821, 206/822, 223, 541, 557, 564; 426/106, 119, 426/120, 127

See application file for complete search history.

(57)

CLAIM

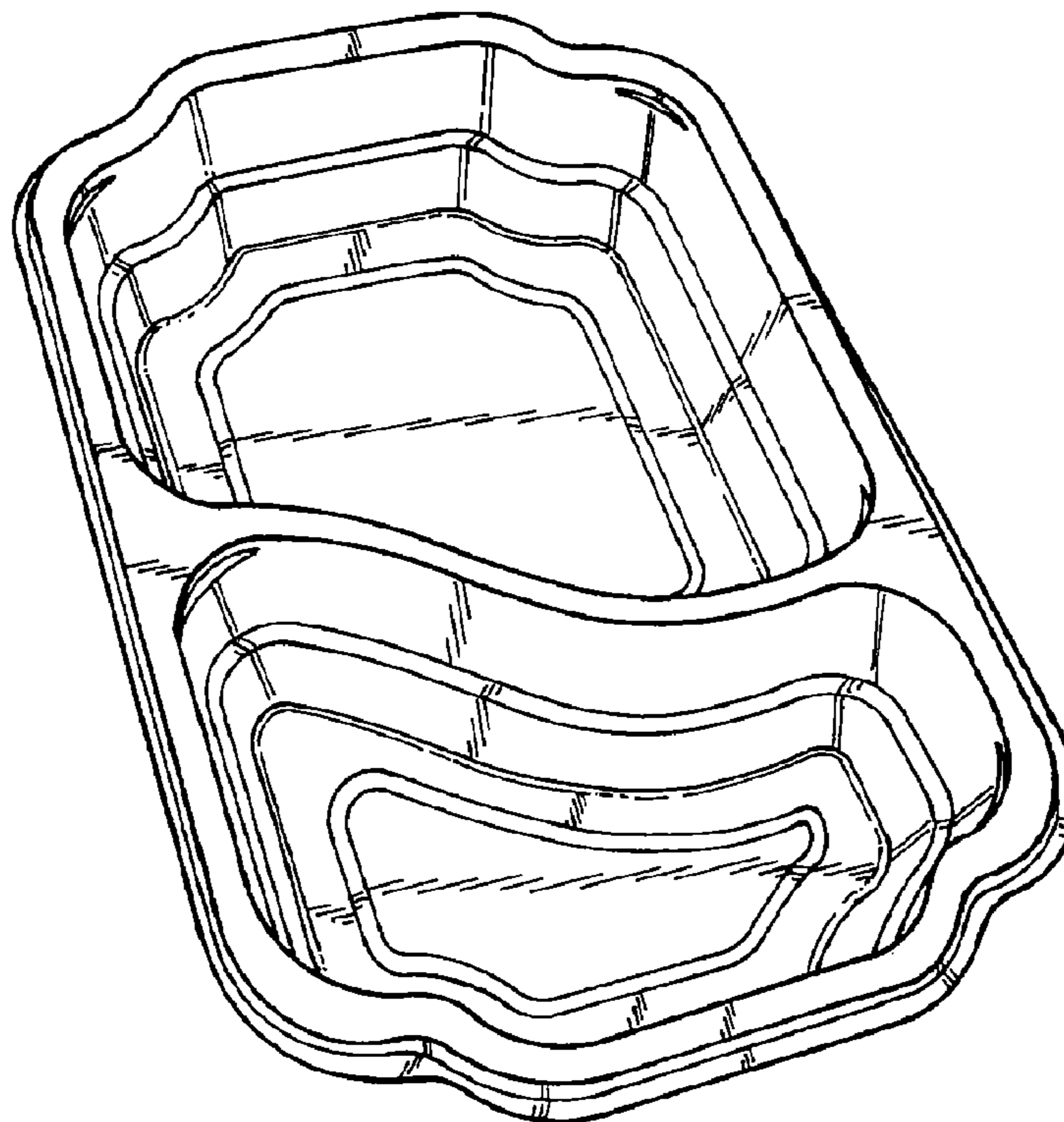
The ornamental design for a tray for packing foods, as shown.

DESCRIPTION

FIG. 1 is a top perspective view of a tray for packing foods according to my new design; and,

FIG. 2 is a bottom perspective view thereof.

1 Claim, 1 Drawing Sheet



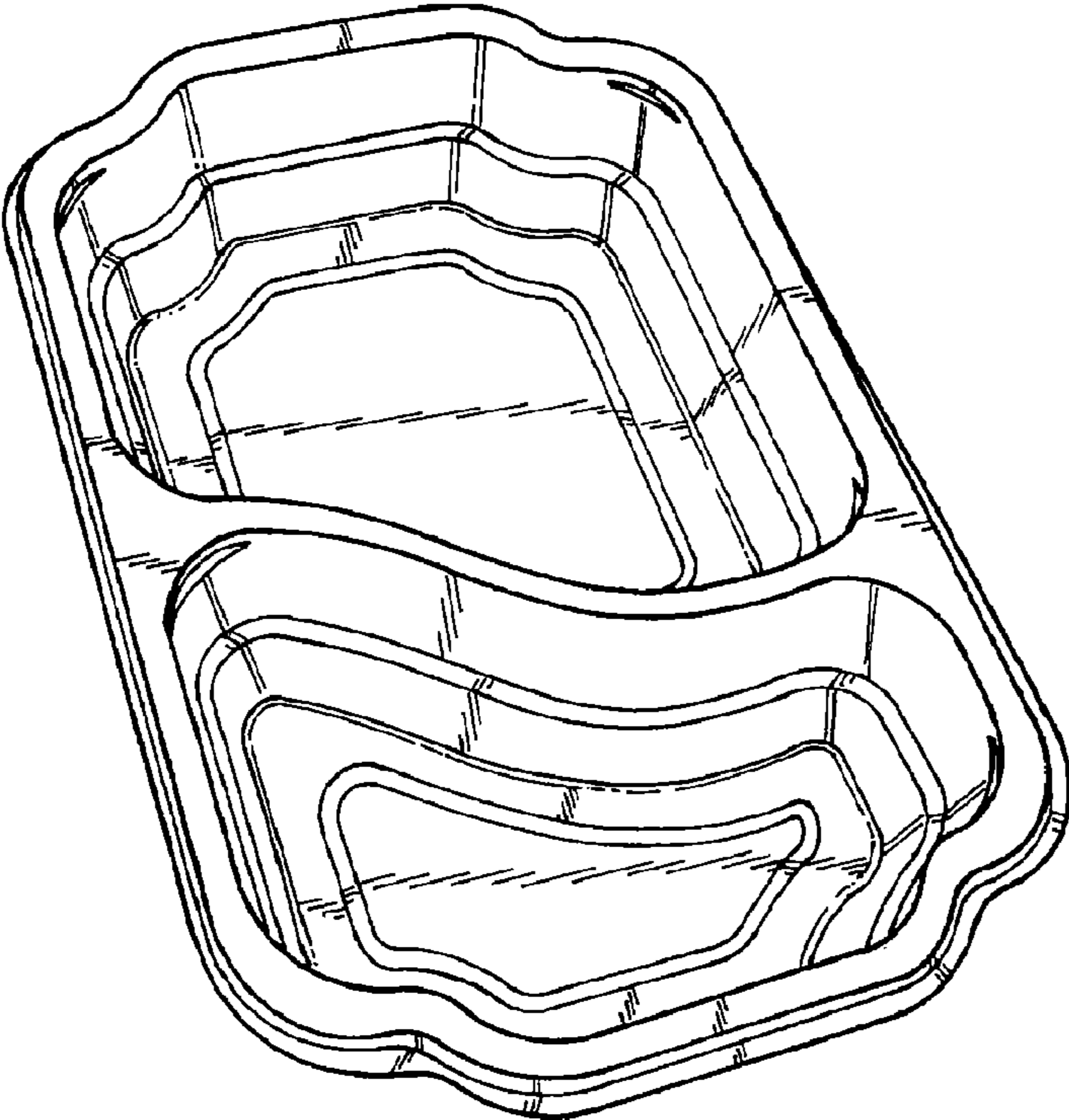


FIG. 1



FIG. 2