



US00D584105S

(12) **United States Design Patent**
Moulin Robson

(10) **Patent No.:** **US D584,105 S**
(45) **Date of Patent:** **** Jan. 6, 2009**

(54) **SIDE HANDLE FOR COOKING UTENSIL**

(75) Inventor: **Jackie Moulin Robson**, Lovagny (FR)

(73) Assignee: **TEFAL**, Rumilly (FR)

(**) Term: **14 Years**

(21) Appl. No.: **29/306,312**

(22) Filed: **Apr. 7, 2008**

(30) **Foreign Application Priority Data**

Oct. 5, 2007 (FR) 07 4552

(51) **LOC (9) Cl.** **07-02**

(52) **U.S. Cl.** **D7/394**

(58) **Field of Classification Search** D7/354-361,
D7/393-395; D8/107, 300, 301, 303, 307,
D8/315, 317, 319; 16/430, 431, 110.1, 407,
16/441, 443; 220/573.1-573.5, 752, 753,
220/755, 756, 912; D12/579

See application file for complete search history.

(56) **References Cited**

U.S. PATENT DOCUMENTS

D266,895 S * 11/1982 Hellinger et al. D7/394
D324,634 S * 3/1992 Chen D8/303
D368,636 S * 4/1996 Planka et al. D8/300
D384,266 S * 9/1997 Mantarakis et al. D8/301
D419,420 S * 1/2000 Whitehead et al. D8/107

D463,240 S * 9/2002 Staton D8/107
D510,231 S * 10/2005 Coudurier D7/393
D529,434 S * 10/2006 Regallis et al. D12/579
D530,265 S * 10/2006 Hutz et al. D12/579
D565,346 S * 4/2008 Bunting et al. D7/394

* cited by examiner

Primary Examiner—Holly H. Baynham

Assistant Examiner—Cynthia M Chin

(74) *Attorney, Agent, or Firm*—Young & Thompson

(57) **CLAIM**

The ornamental design for a side handle for cooking utensil, as shown and described.

DESCRIPTION

FIG. 1 is a top, front and side perspective view of a side handle for cooking utensil, showing my new design;

FIG. 2 is a the bottom, side and rear perspective view thereof;

FIG. 3 is a top plan view thereof;

FIG. 4 is a side elevational view thereof from the right of FIG. 3, the opposite side elevational view being a mirror image thereof;

FIG. 5 is a bottom plan view thereof;

FIG. 6 is a front elevational view thereof; and,

FIG. 7 is a rear elevational view thereof.

1 Claim, 7 Drawing Sheets

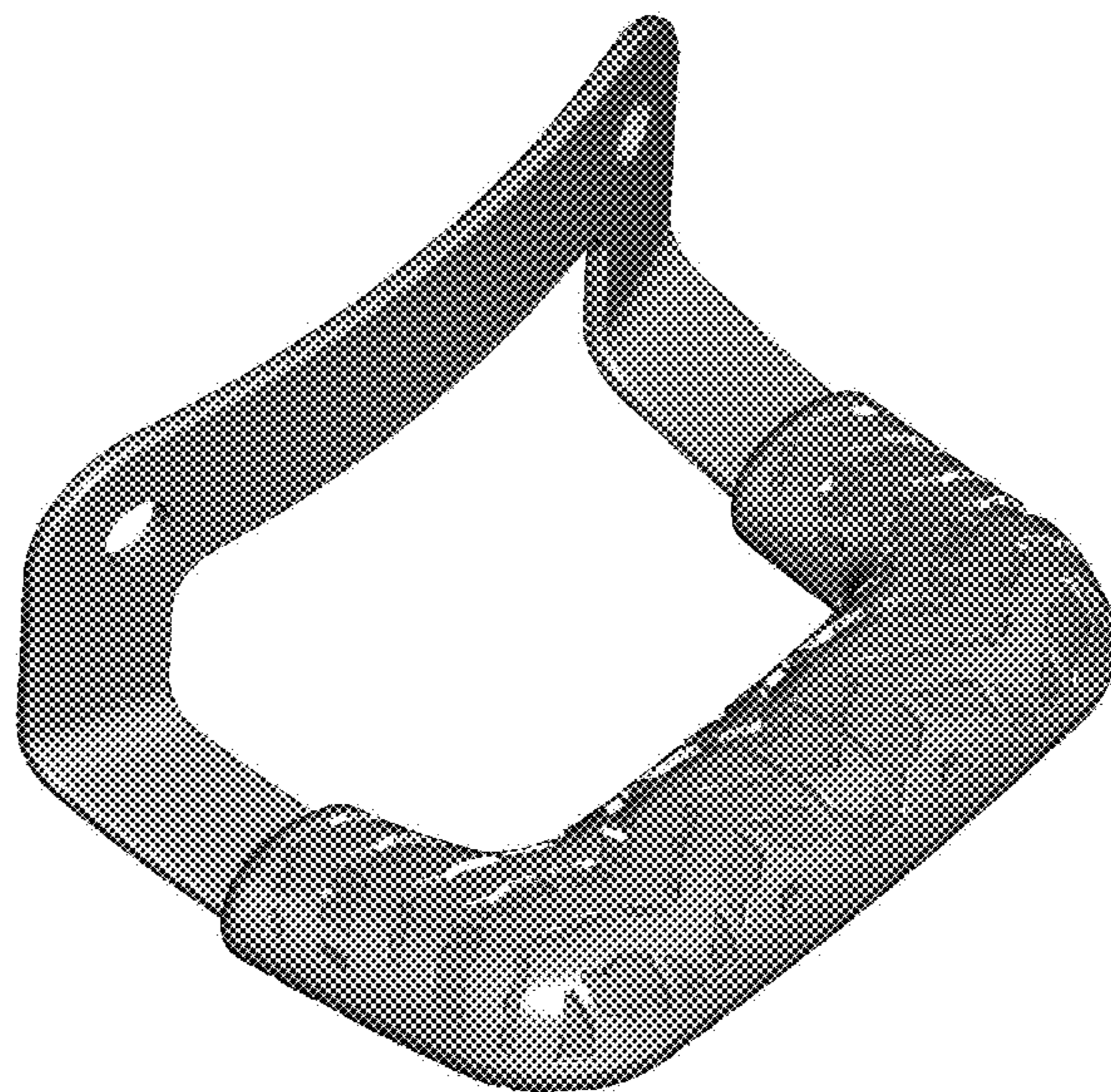
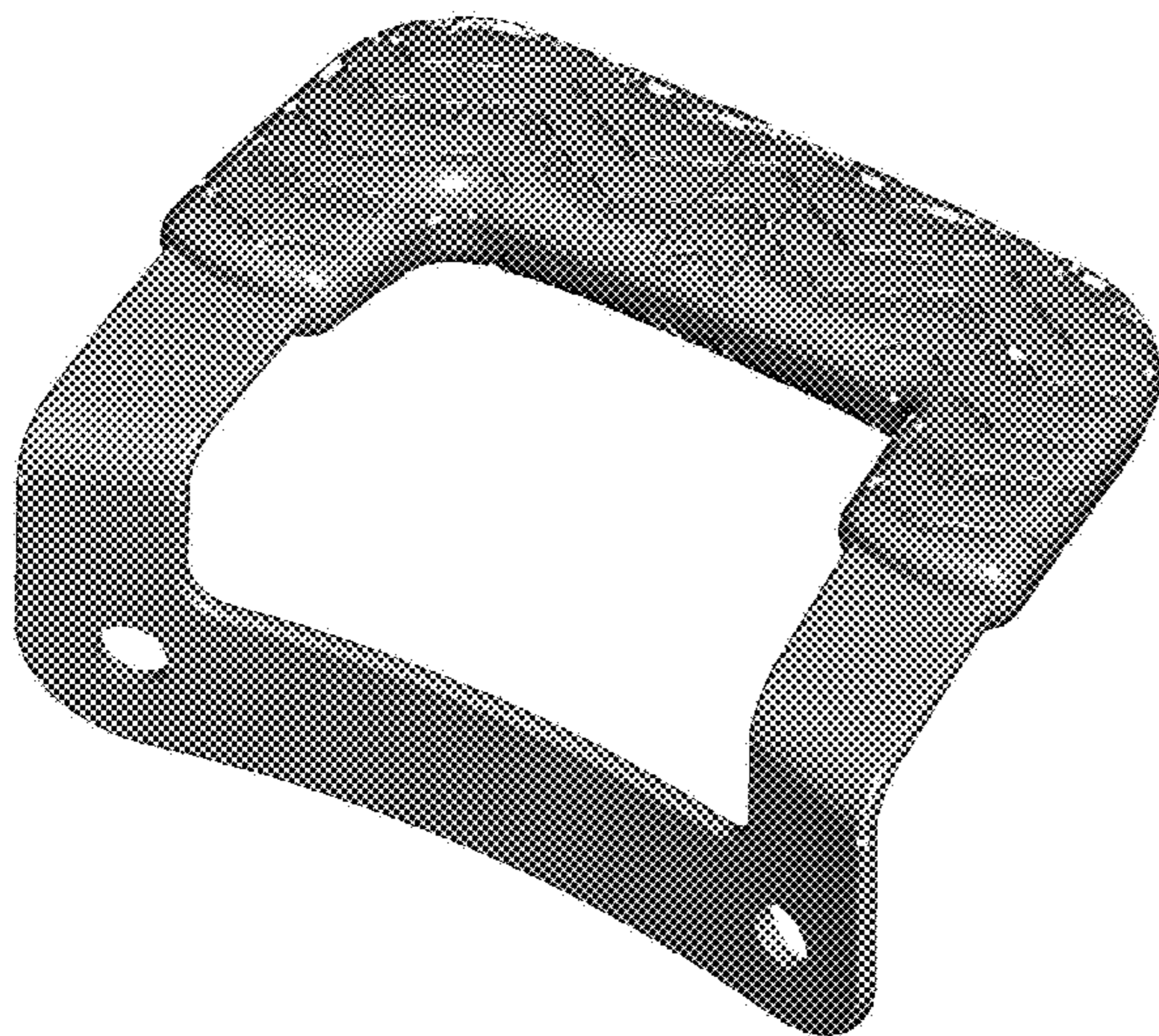


FIGURE 1



FIGURE 2



FIGURE 3

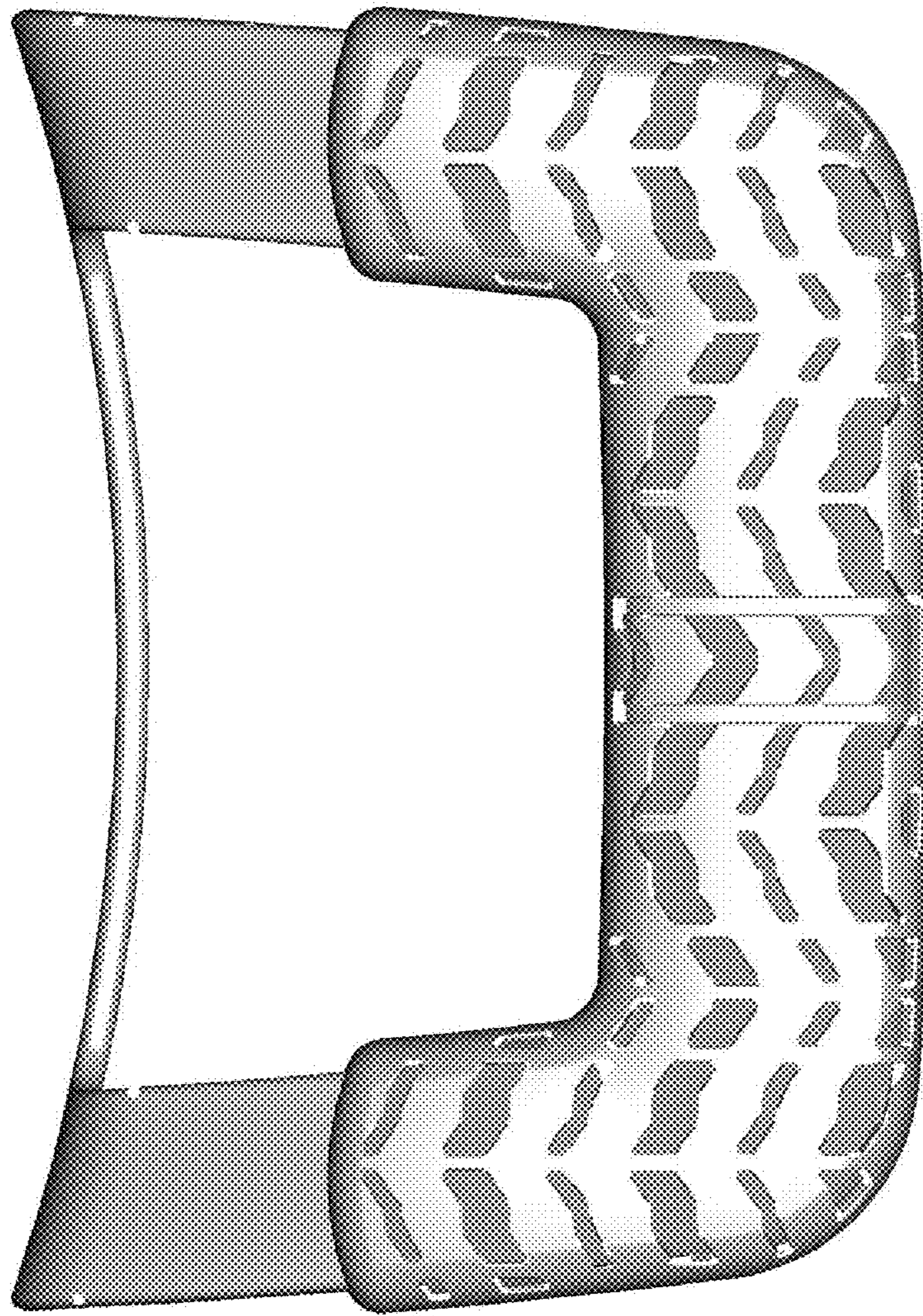


FIGURE 4

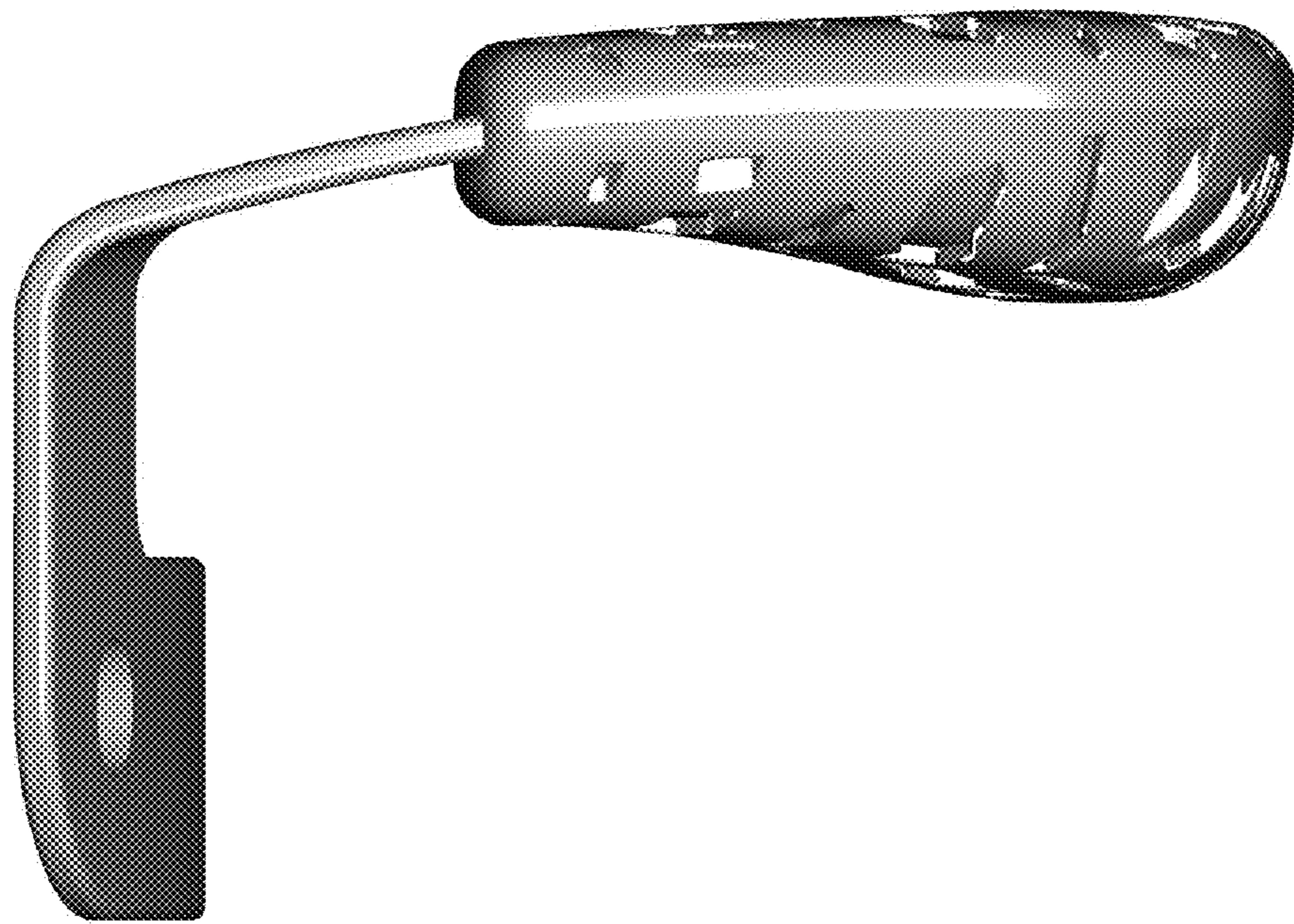


FIGURE 5

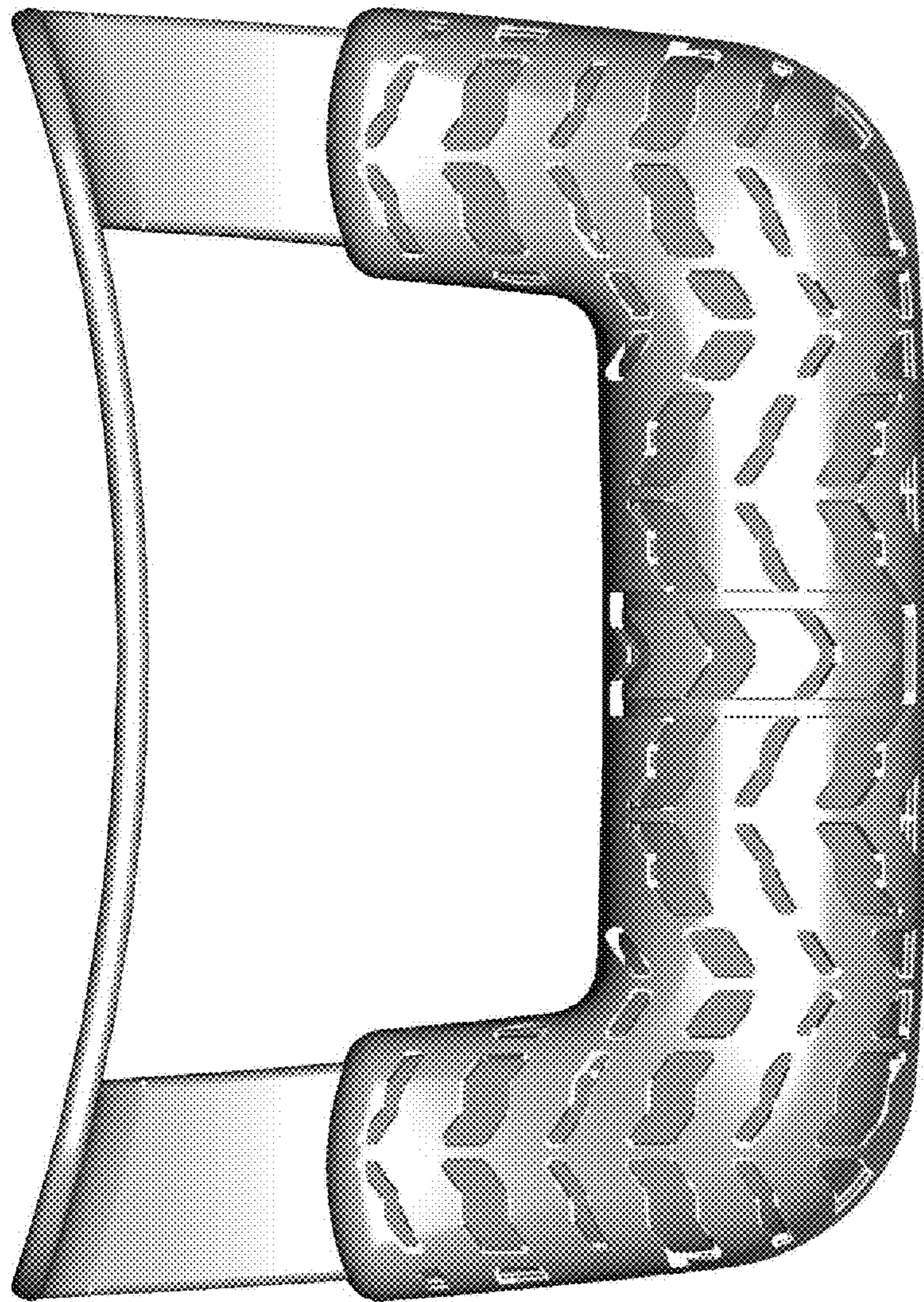


FIGURE 6

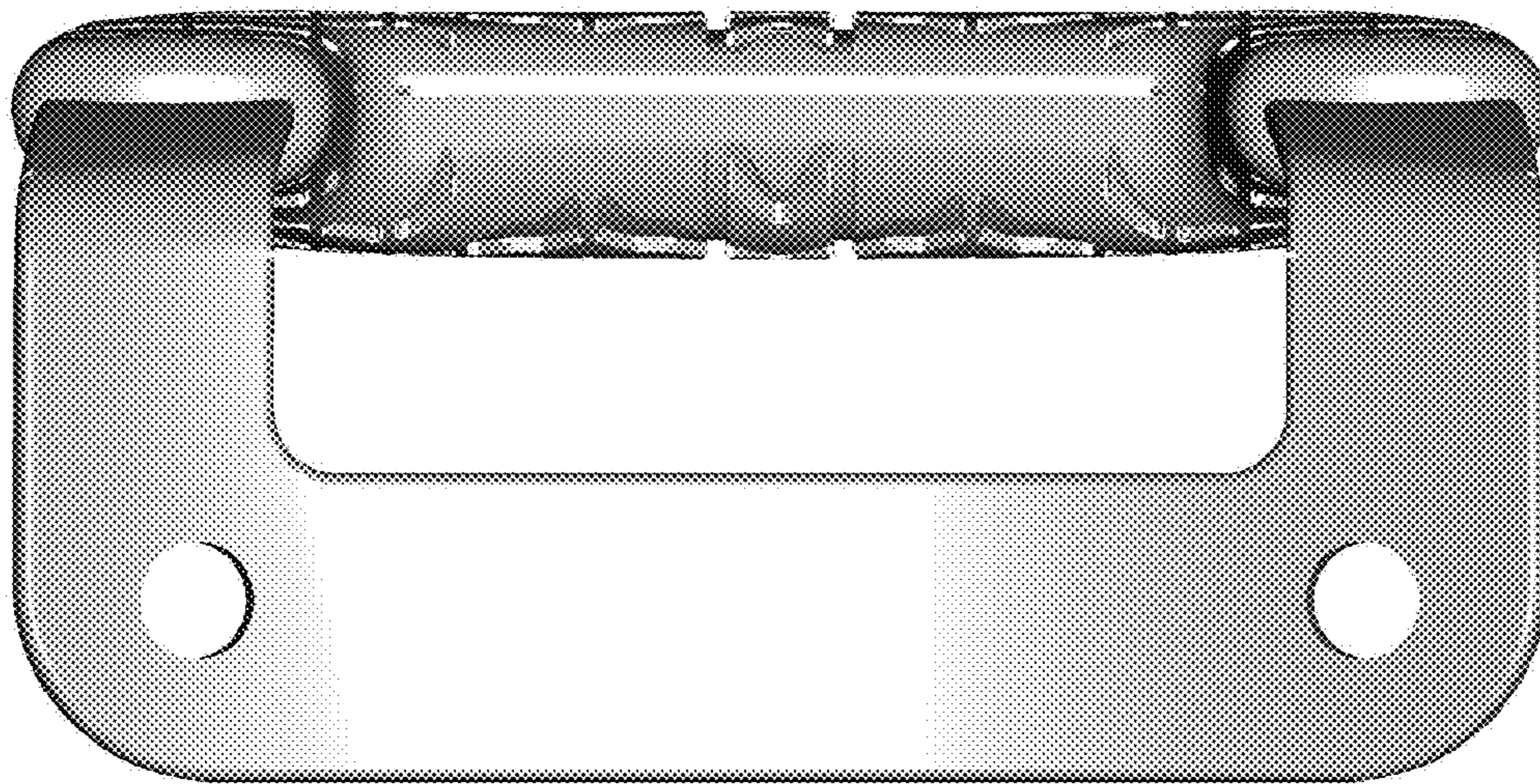


FIGURE 7

