



US00D584104S

(12) **United States Design Patent**  
**Munari**

(10) **Patent No.:** **US D584,104 S**

(45) **Date of Patent:** **\*\* \*Jan. 6, 2009**

(54) **COOKWARE HANDLE**

(75) Inventor: **Marco Munari**, Cardano al Campo (IT)

(73) Assignee: **La Termoplastico F.B.M. \_S.R.L.** (IT)

(\*) Notice: This patent is subject to a terminal disclaimer.

(\*\*) Term: **14 Years**

(21) Appl. No.: **29/287,804**

(22) Filed: **Sep. 21, 2007**

(30) **Foreign Application Priority Data**

Mar. 23, 2007 (EM) ..... 000694591

(51) **LOC (9) Cl.** ..... **07-02**

(52) **U.S. Cl.** ..... **D7/393**

(58) **Field of Classification Search** ..... D7/354-361,  
D7/393-395; D8/107, 307, 300; D4/138,  
D4/129; 16/430, 431, 110.1, 407; 220/573.1-573.5,  
220/752, 753, 755, 756, 759, 771, 912  
See application file for complete search history.

(56) **References Cited**

**U.S. PATENT DOCUMENTS**

D377,438 S \* 1/1997 Brunianyn ..... D7/361

D438,054 S \* 2/2001 Munari ..... D7/395  
D525,827 S \* 8/2006 Munari ..... D7/393  
D530,148 S \* 10/2006 Knorr ..... D7/395  
D538,589 S \* 3/2007 Coudurier ..... D7/395  
D559,617 S \* 1/2008 Kloppsteck ..... D7/393

\* cited by examiner

*Primary Examiner*—Holly H. Baynham

*Assistant Examiner*—Cynthia M Chin

(74) *Attorney, Agent, or Firm*—Davidson Berquist Jackson & Gowday LLP

(57) **CLAIM**

The ornamental design for a cookware handle, as shown and described.

**DESCRIPTION**

FIG. 1 is a bottom plan view of my new cookware handle design;

FIG. 2 is a side elevation view thereof (the opposite side view being symmetrical);

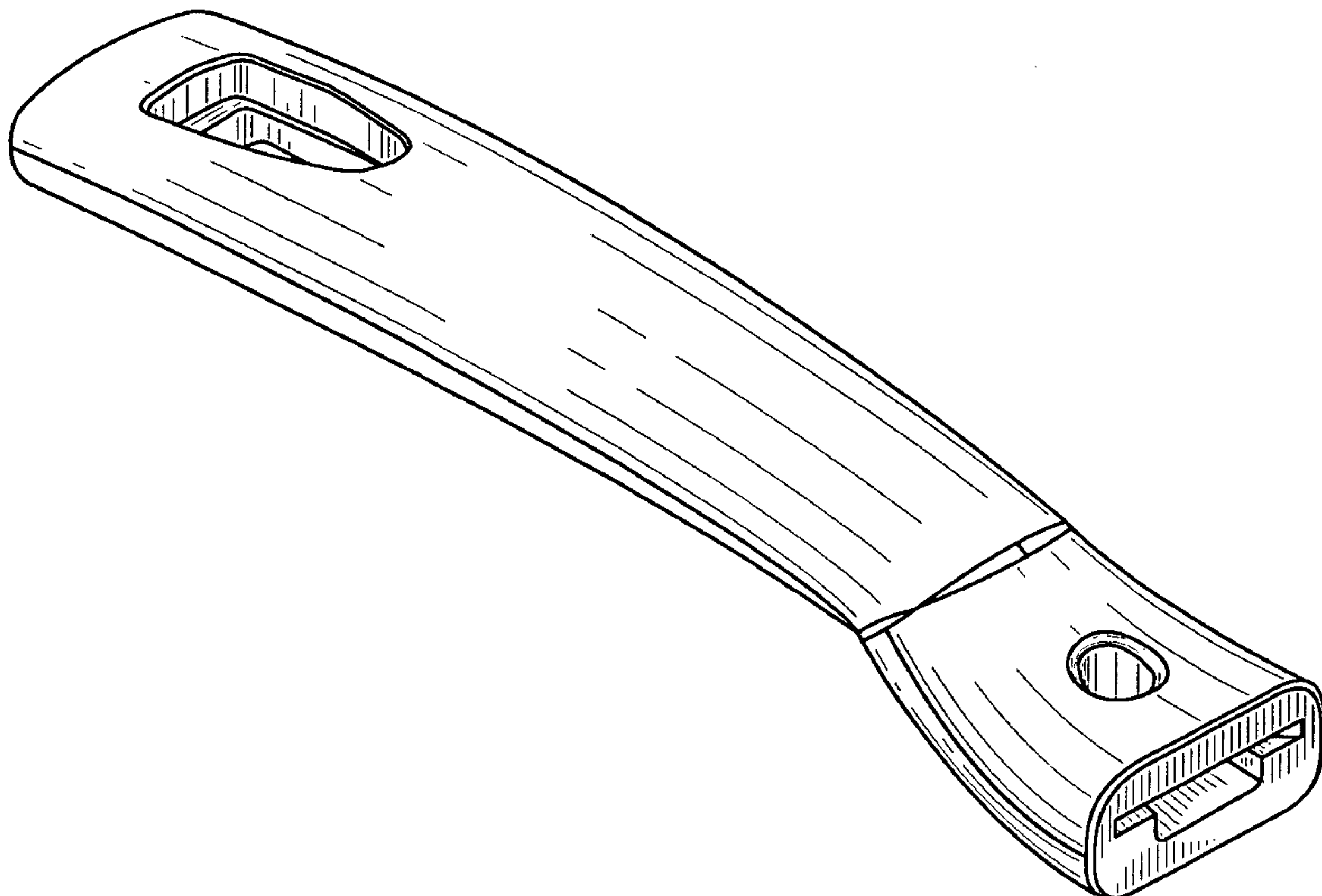
FIG. 3 is a top plan view thereof;

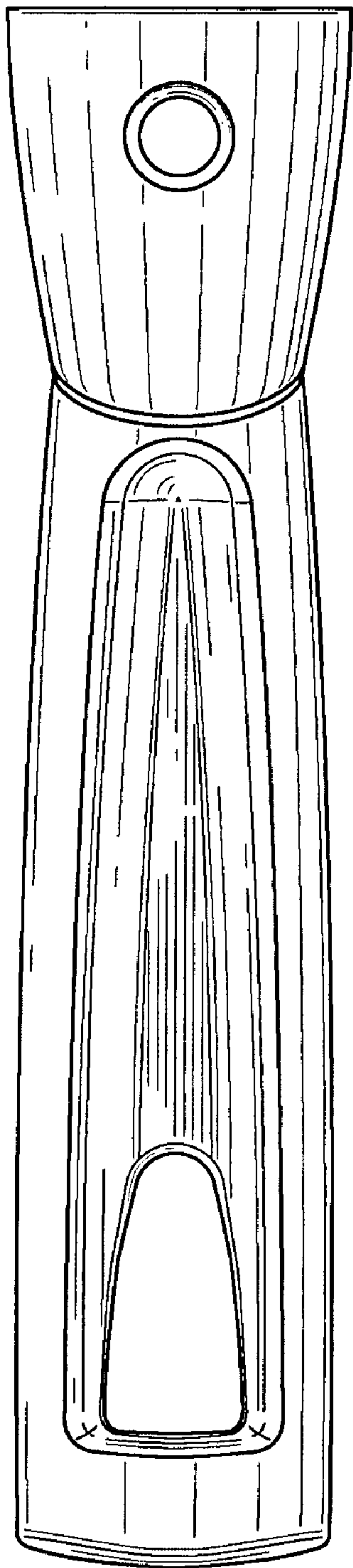
FIG. 4 is a first longitudinal end view thereof;

FIG. 5 is a second longitudinal end view thereof; and,

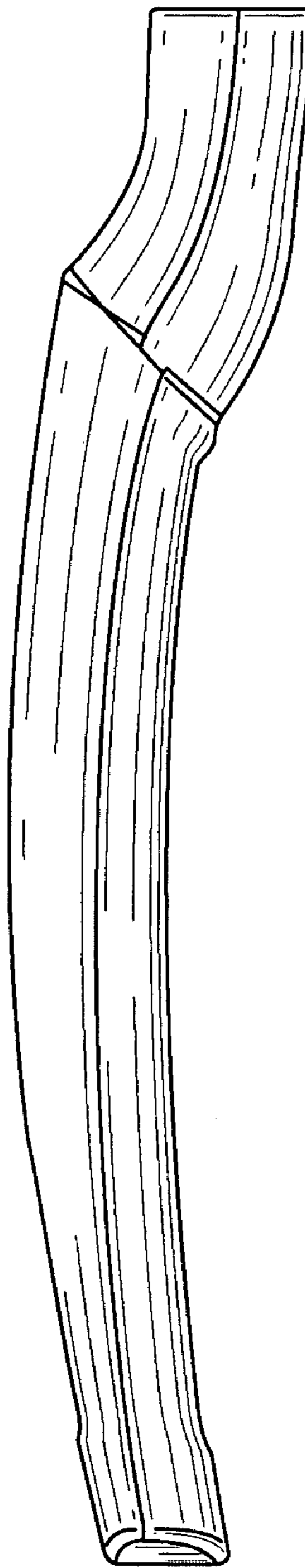
FIG. 6 is a top/side perspective view thereof.

**1 Claim, 3 Drawing Sheets**

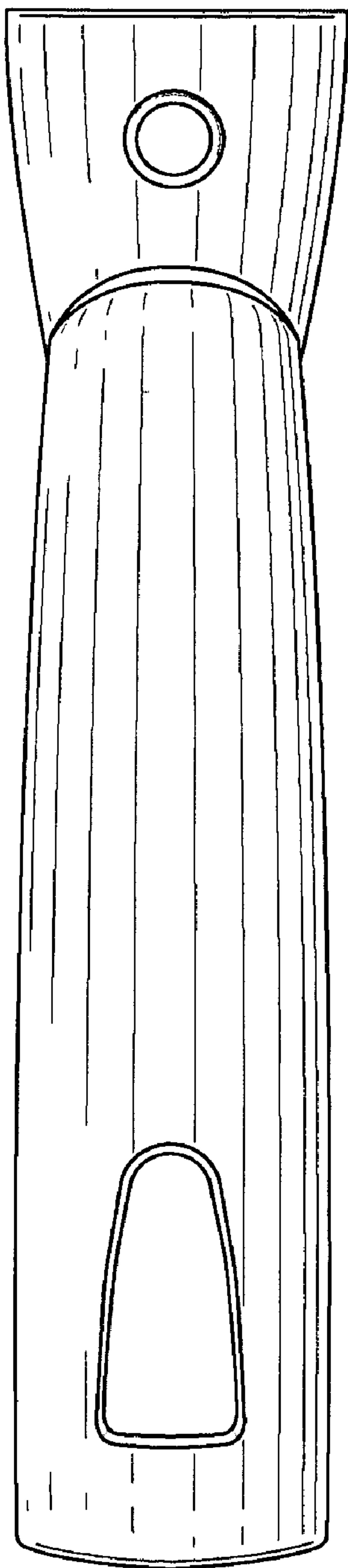




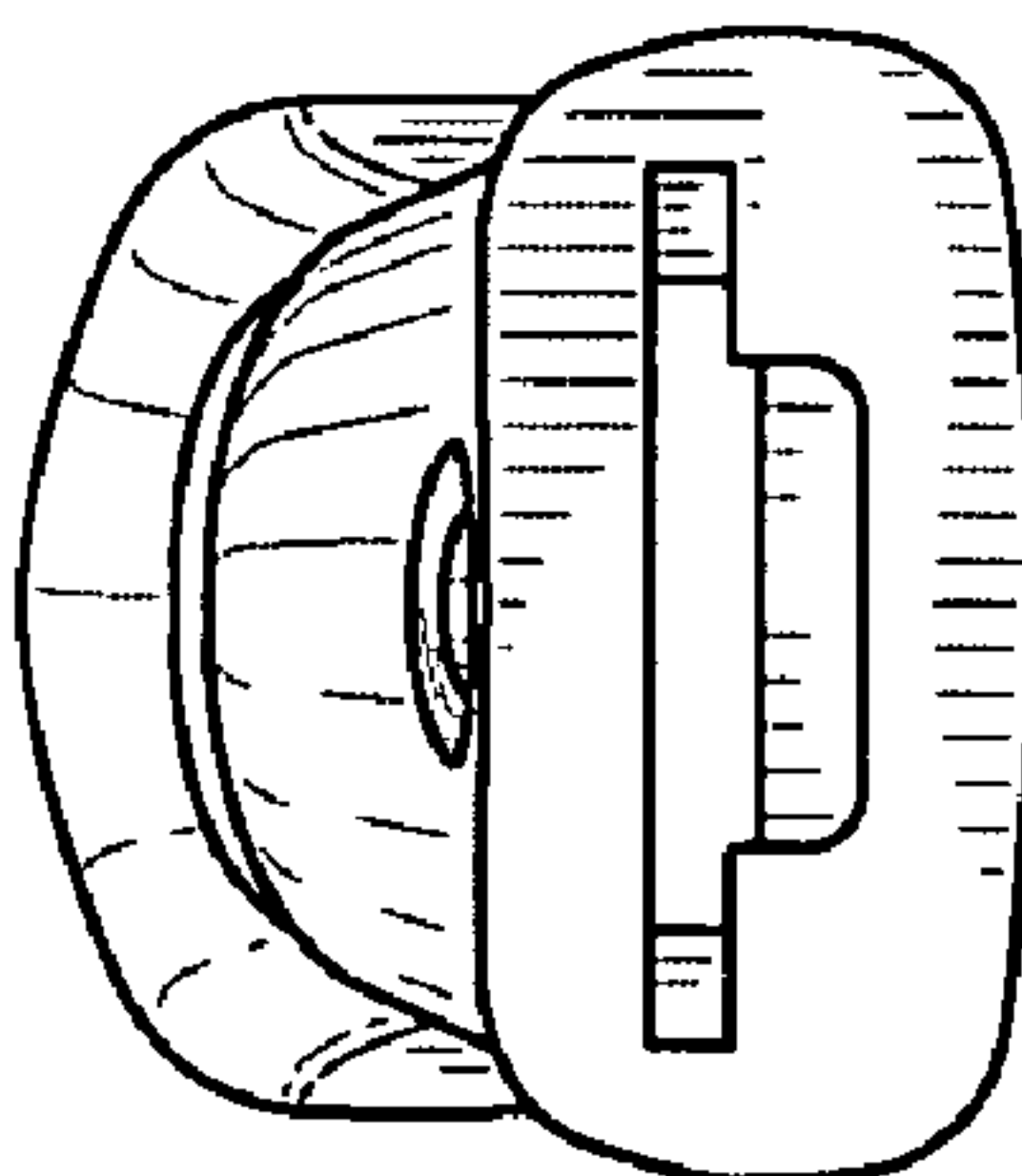
**FIG. 1**



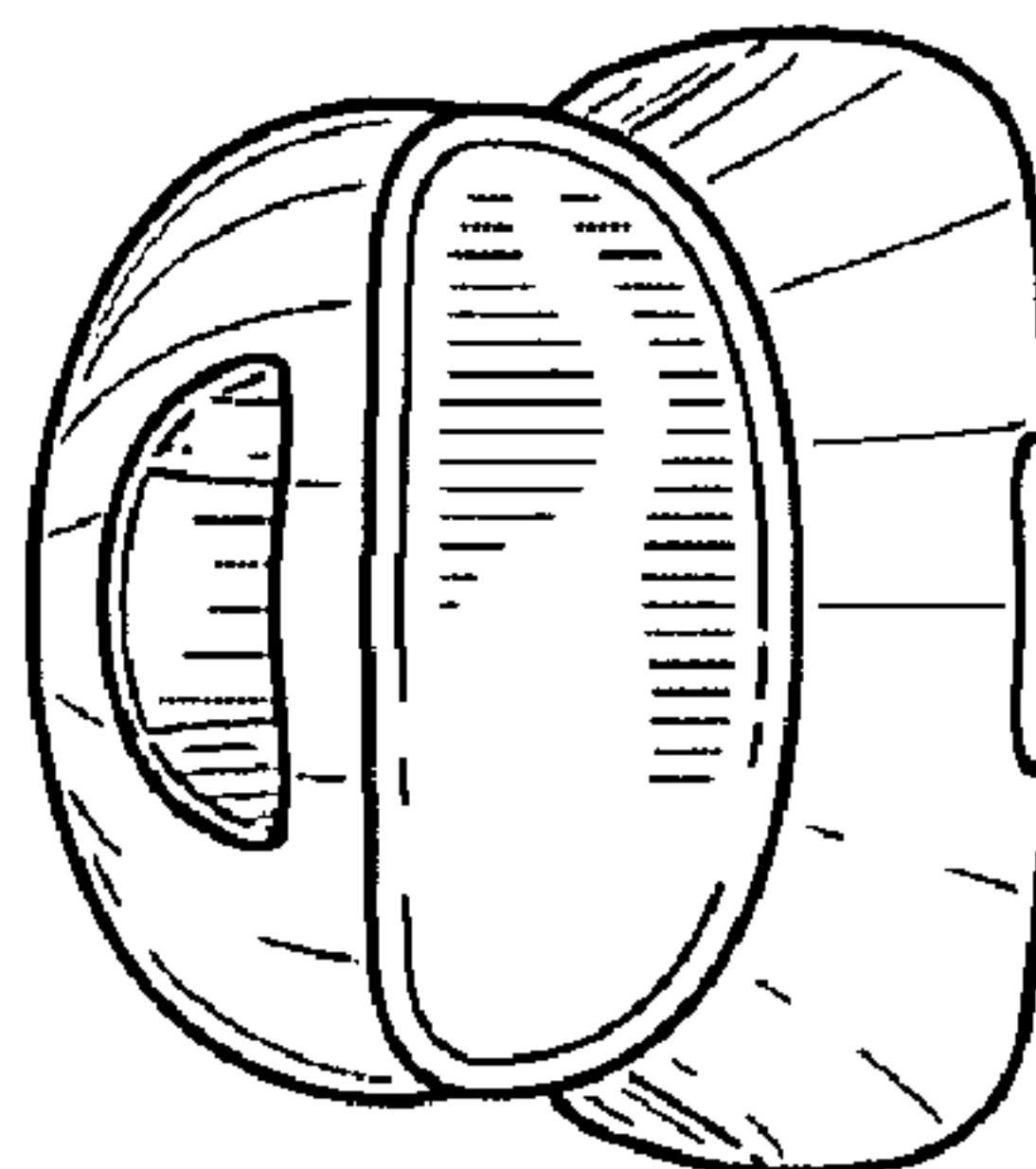
**FIG. 2**



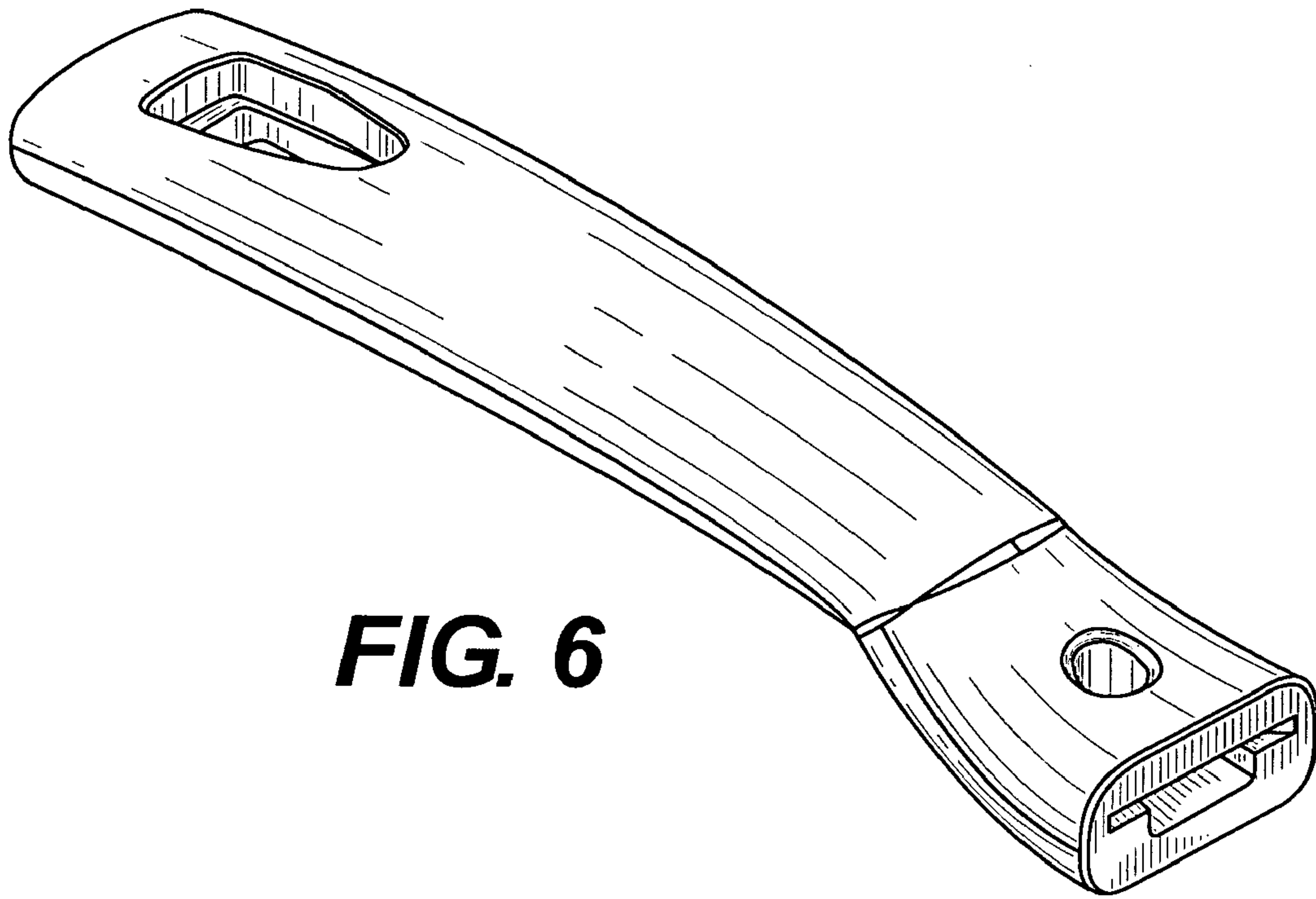
**FIG. 3**



**FIG. 4**



**FIG. 5**



**FIG. 6**