



US00D584102S

(12) **United States Design Patent**
Valderrama et al.

(10) **Patent No.:** **US D584,102 S**
(45) **Date of Patent:** **** Jan. 6, 2009**

- (54) **LID WITH A SLIDING CLOSURE**
- (75) Inventors: **Vincent J. Valderrama**, Stamford, CT (US); **Stuart Naft**, Fairfield, CT (US)
- (73) Assignee: **Playtex Products, Inc.**, Westport, CT (US)
- (**) Term: **14 Years**
- (21) Appl. No.: **29/307,090**
- (22) Filed: **Mar. 31, 2008**
- (51) **LOC (9) Cl.** **07-02**
- (52) **U.S. Cl.** **D7/392.1**
- (58) **Field of Classification Search** D7/510, D7/511, 638, 392, 392.1, 396.1; D9/435, D9/438, 439, 445, 447, 449, 452-454, 709, D9/715, 718, 781; 220/212, 254.9, 270, 220/271, 345.1, 547, 575; 215/254; 222/547
See application file for complete search history.

(56) **References Cited**

U.S. PATENT DOCUMENTS

D356,499	S	*	3/1995	Cautereels et al.	D9/449
D417,583	S	*	12/1999	Demore	D7/392.1
D447,693	S	*	9/2001	Warner et al.	D9/776
6,354,454	B1	*	3/2002	Wong	220/345.1
6,439,442	B1	*	8/2002	Markert et al.	222/547
D480,641	S	*	10/2003	Hurlbut et al.	D9/447
D485,759	S	*	1/2004	Janky et al.	D9/449
6,752,287	B1	*	6/2004	Lin	220/254.9
D500,428	S	*	1/2005	Ward et al.	D7/392.1

D533,779	S	*	12/2006	Schmidtner et al.	D9/449
D536,214	S	*	2/2007	Schuler et al.	D7/392.1
D566,552	S	*	4/2008	Vette	D9/449
2008/0073342	A1	*	3/2008	Cai	220/212

* cited by examiner

Primary Examiner—Holly H Baynham

Assistant Examiner—Cynthia M Chin

(74) *Attorney, Agent, or Firm*—Ohlandt, Greeley, Ruggiero & Perle, L.L.P.

(57) **CLAIM**

It is claimed the ornamental design for a lid with a sliding closure, as shown and described.

DESCRIPTION

FIG. 1 is a front, top perspective view of the LID according to the present invention;

FIG. 2 is a front elevation view of the LID of FIG. 1;

FIG. 3 is a rear elevation view of the LID of FIG. 1;

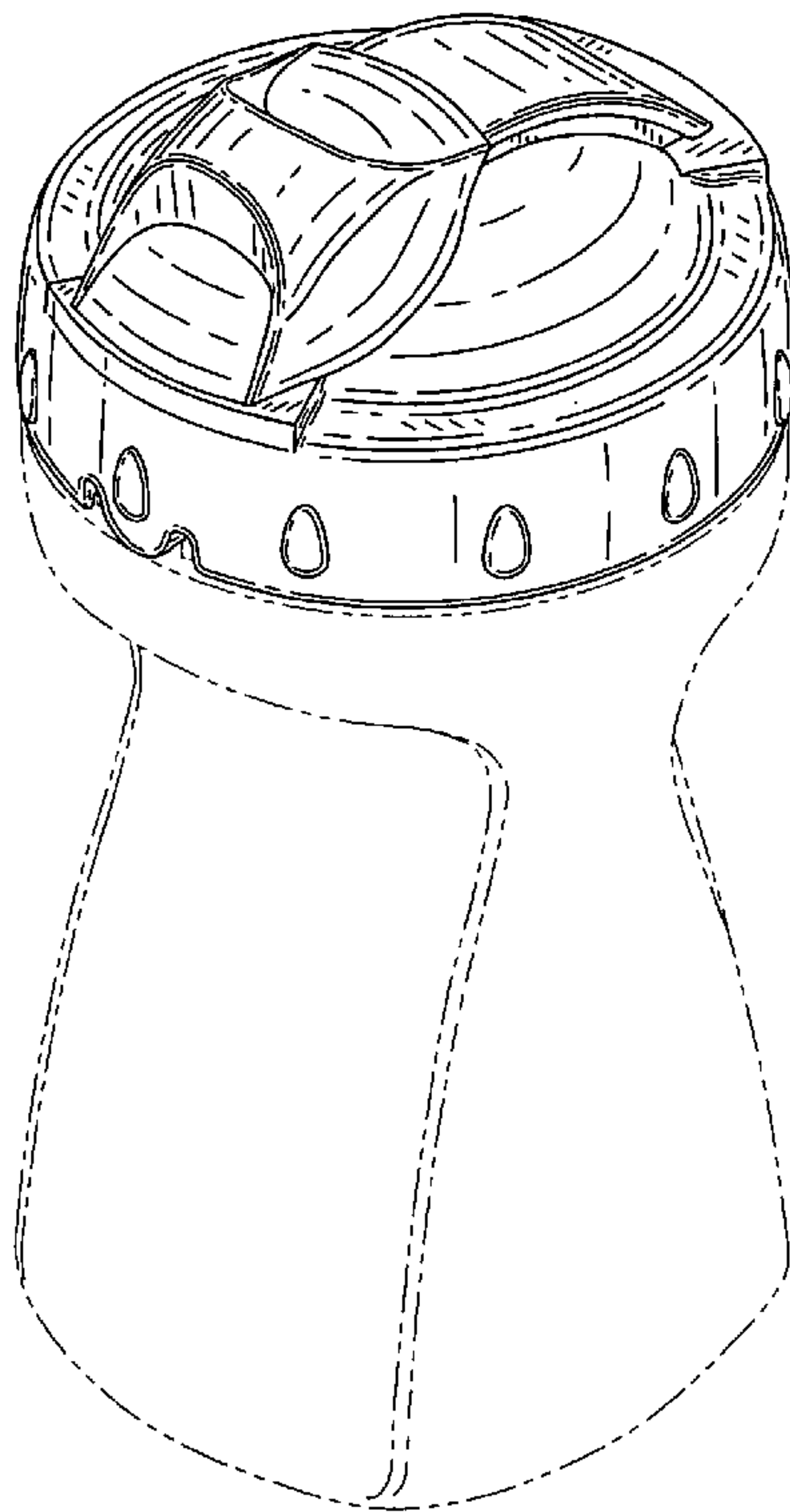
FIG. 4 is a side elevation of the LID of FIG. 1; the opposite side elevation of the LID being a mirror image of the side elevation;

FIG. 5 is a top plan view of the LID of FIG. 1; and,

FIG. 6 is a top perspective view of the LID of FIG. 1 in an opened position.

The broken line showing of a container and straw is for illustrative purposes only and forms no part of the claimed design.

1 Claim, 4 Drawing Sheets



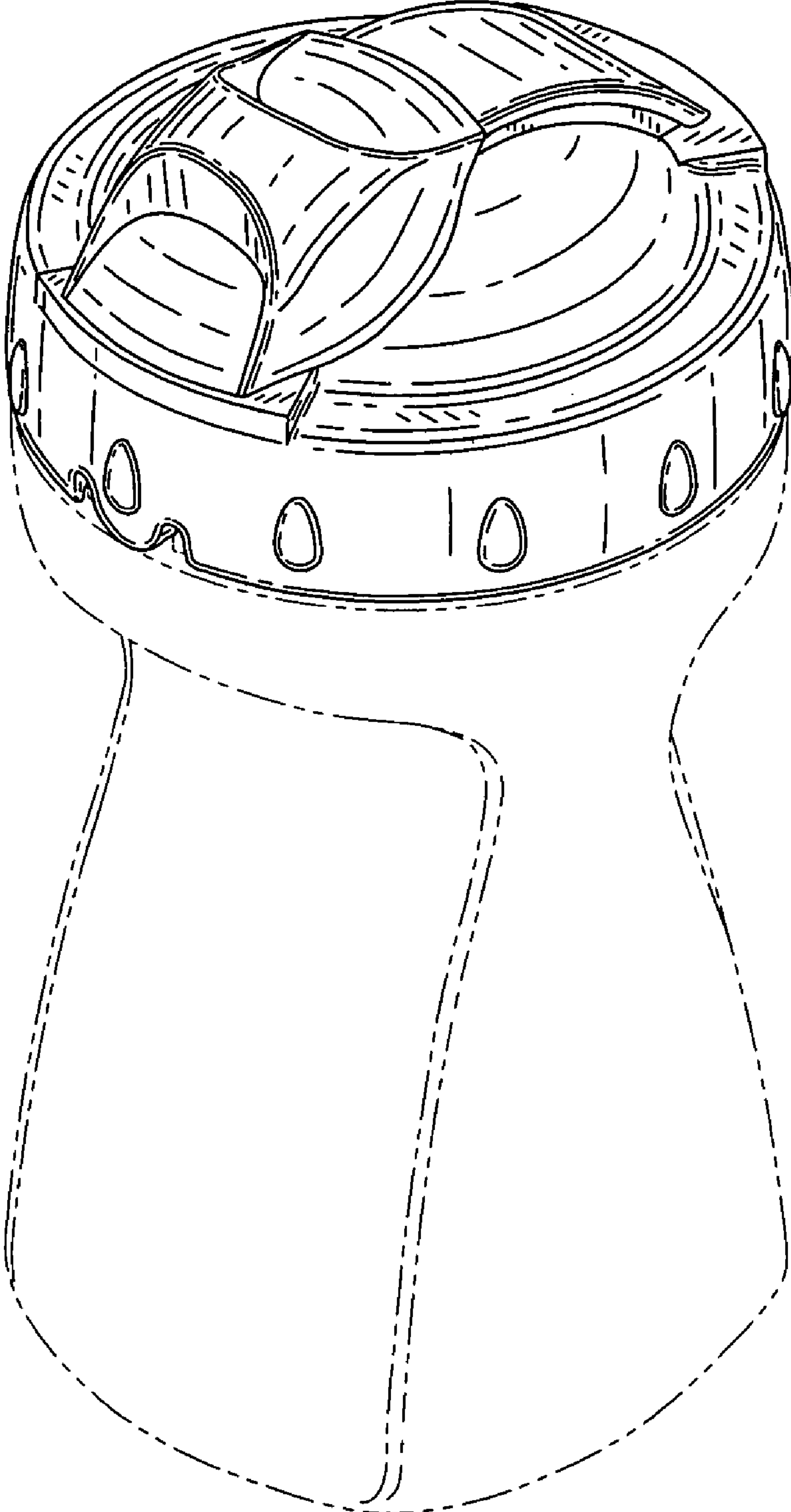


FIG. 1

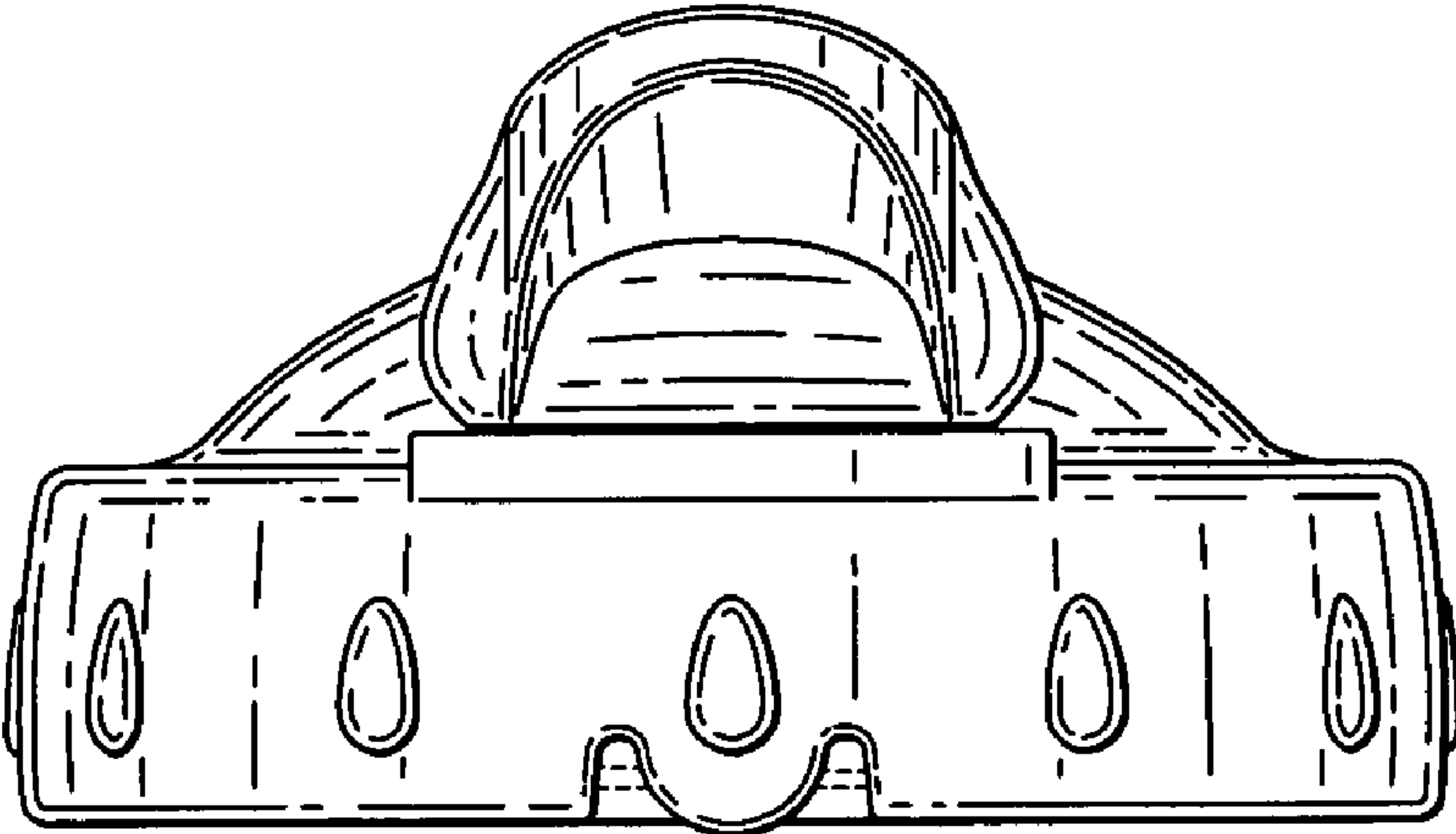


FIG. 2

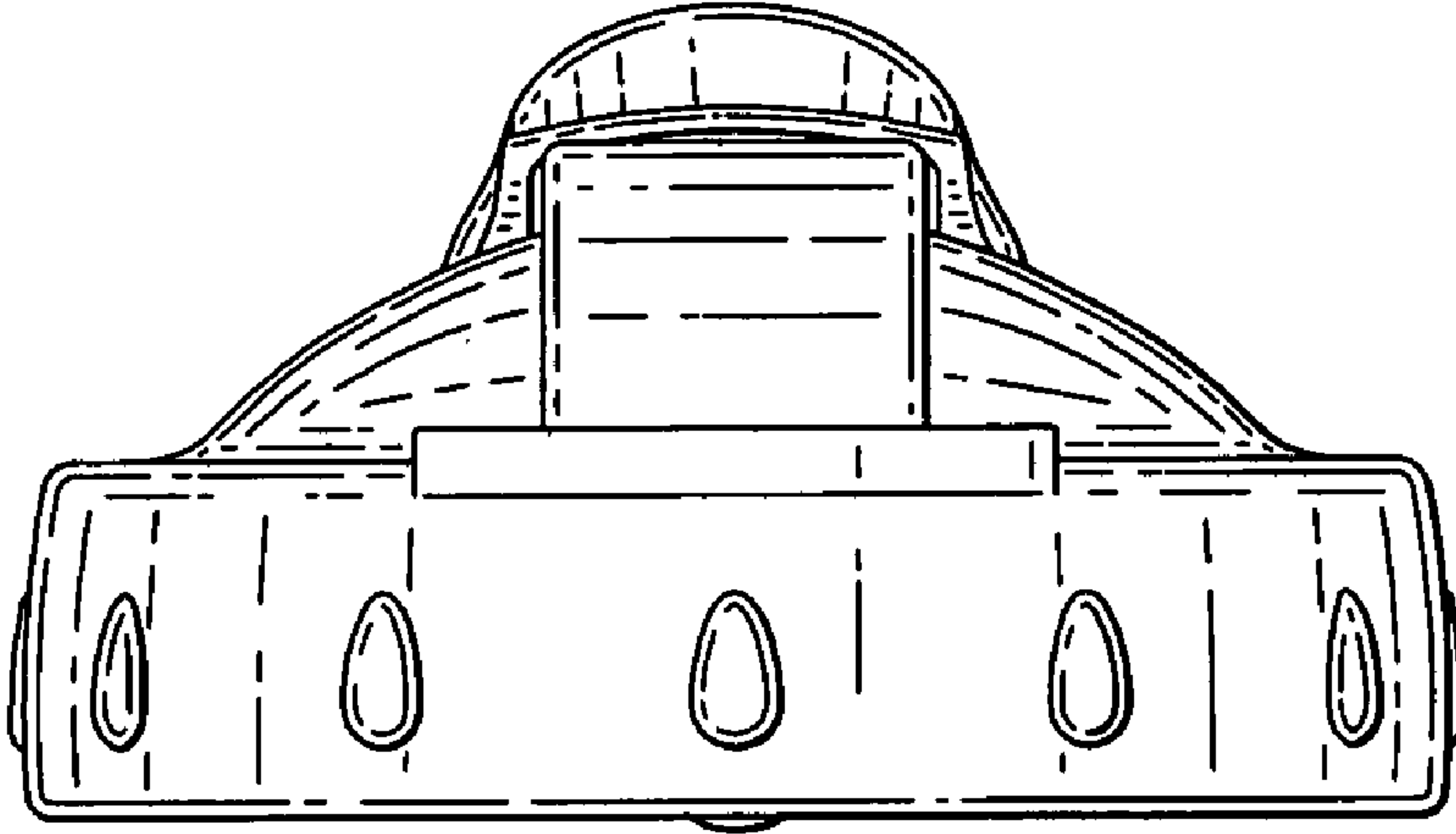


FIG. 3

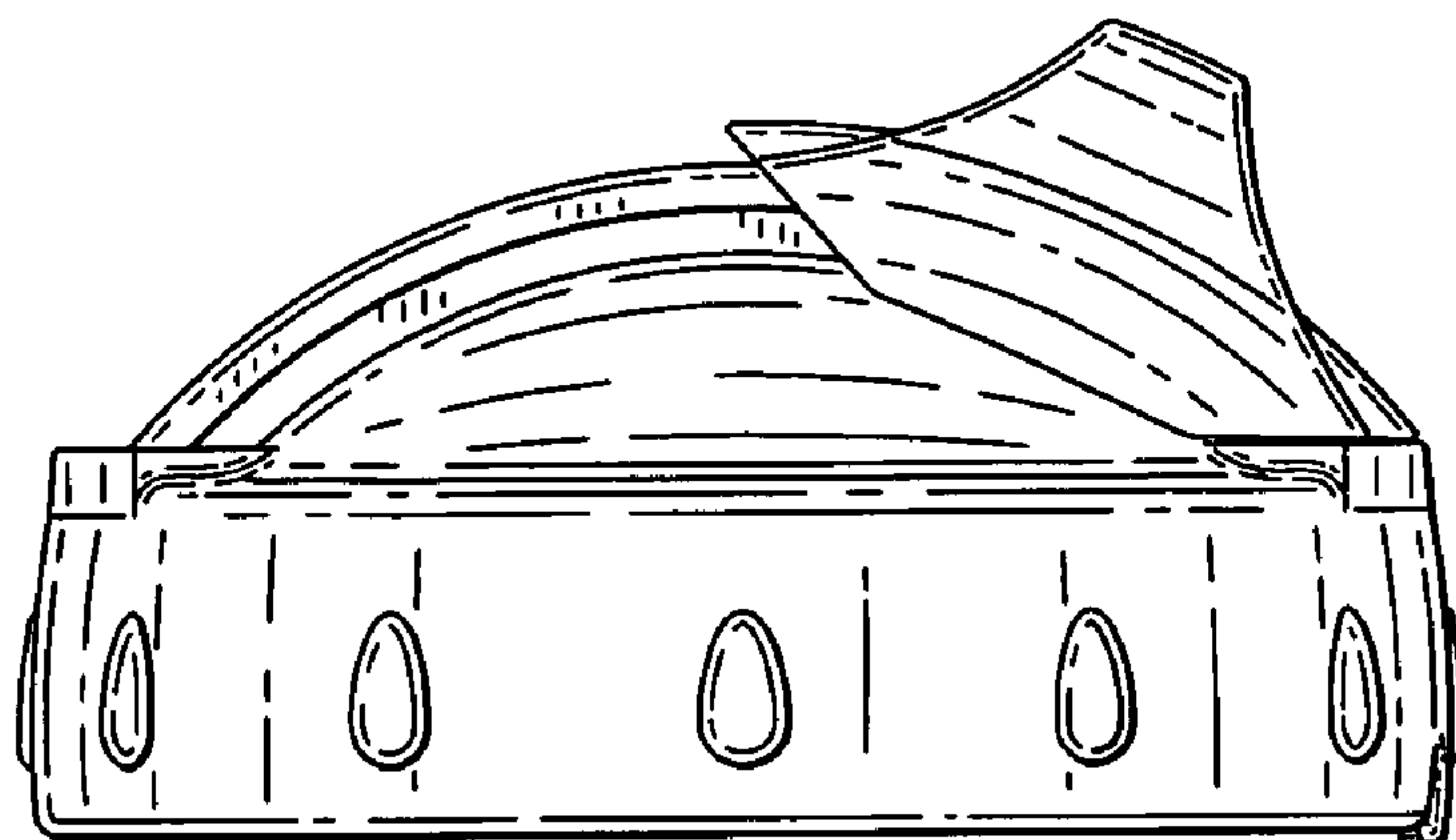


FIG. 4

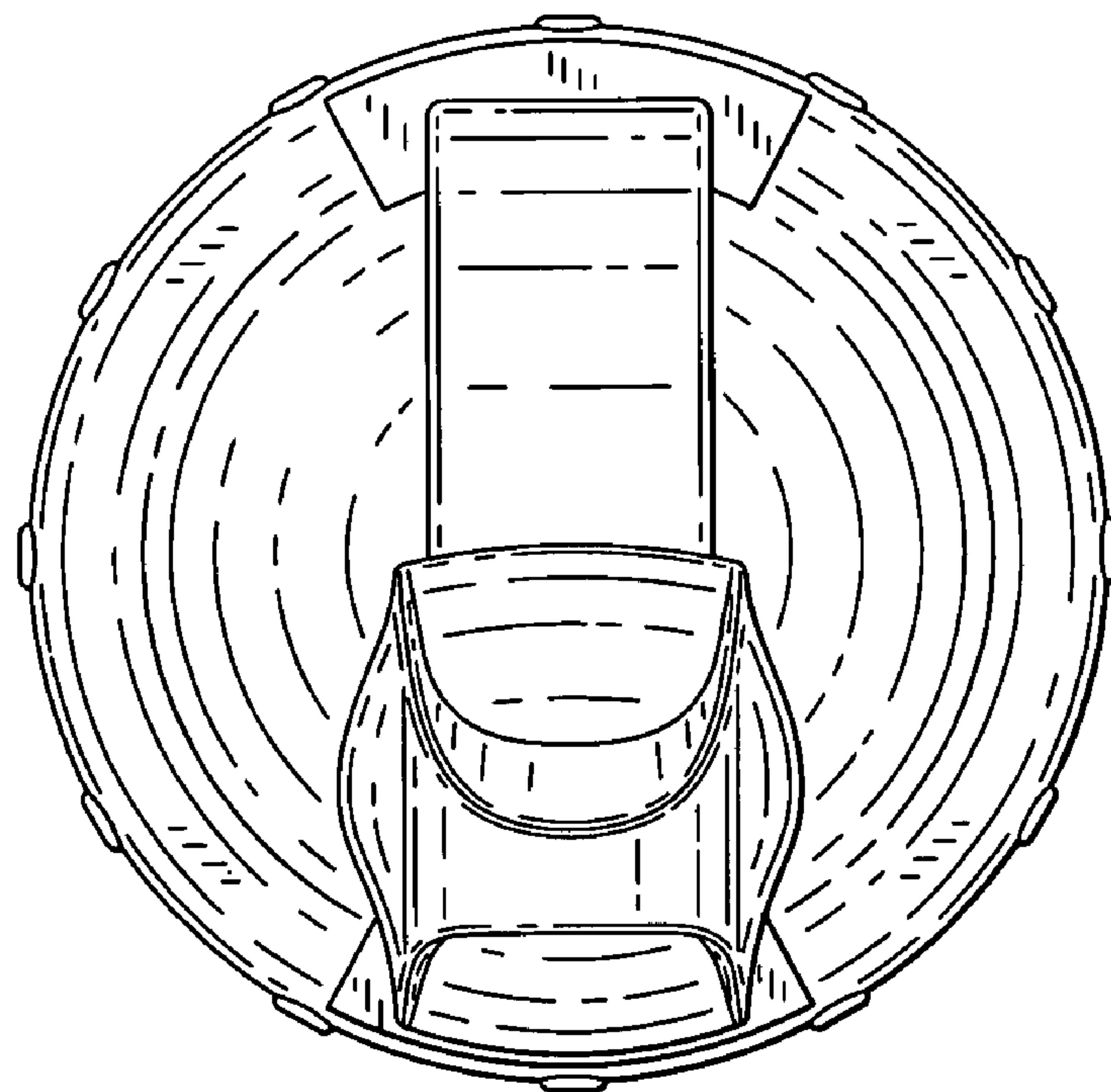


FIG. 5

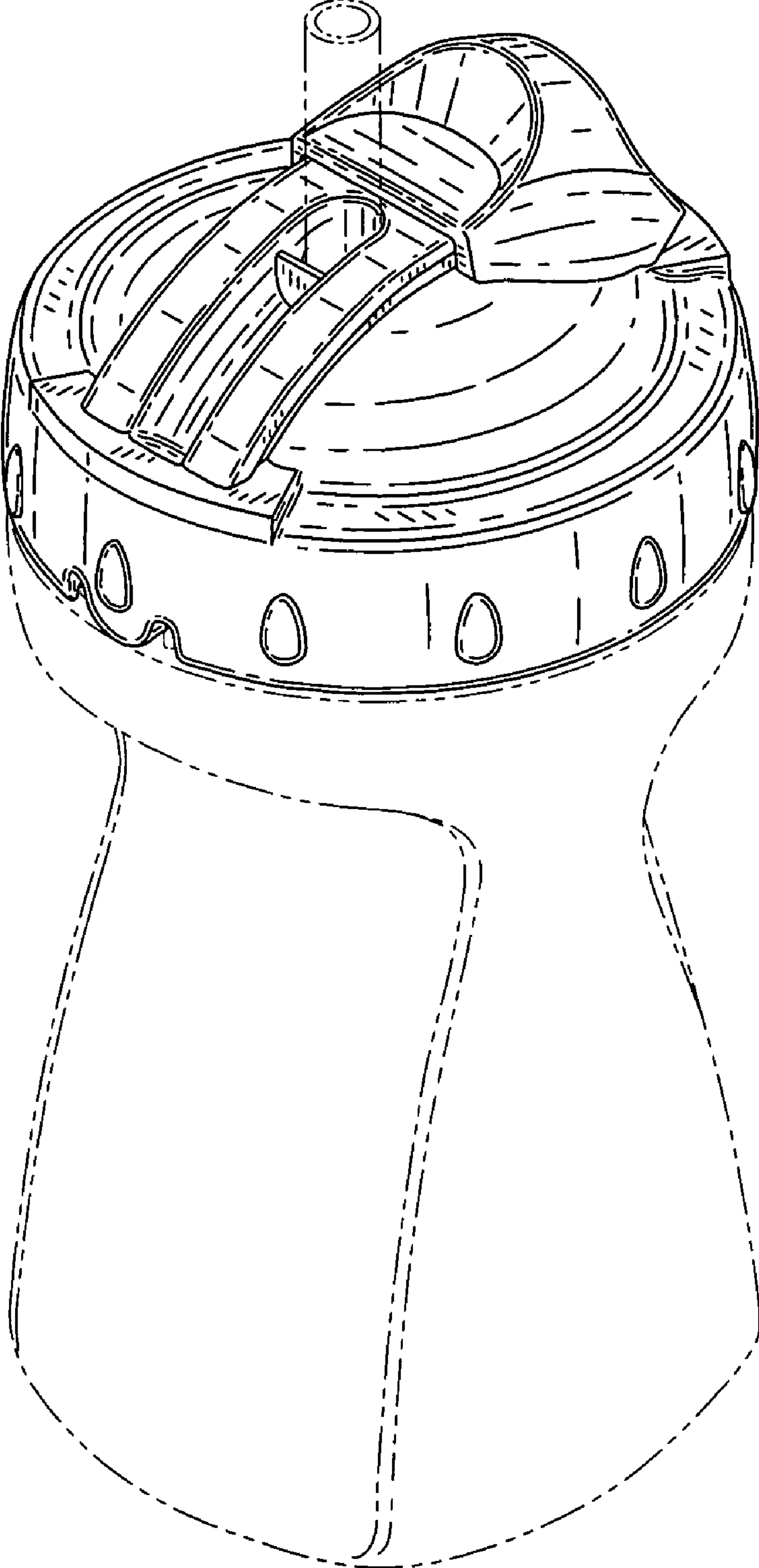


FIG. 6