



US00D584101S

(12) **United States Design Patent**  
**Kim**

(10) **Patent No.:** **US D584,101 S**  
(45) **Date of Patent:** **\*\* Jan. 6, 2009**

(54) **MICROWAVE OVEN**

(75) Inventor: **Ki Hun Kim**, Seoul (KR)

(73) Assignee: **LG Electronics Inc.**, Seoul (KR)

(\*\*) Term: **14 Years**

(21) Appl. No.: **29/290,945**

(22) Filed: **Feb. 1, 2008**

(30) **Foreign Application Priority Data**

Aug. 10, 2007 (KR) ..... 30-2007-0034488

(51) **LOC (9) Cl.** ..... **07-02**

(52) **U.S. Cl.** ..... **D7/351**

(58) **Field of Classification Search** ..... D7/350.1,  
D7/350.3, 350.4, 351, 402, 405; 126/19 M,  
126/275 E; 219/756-758, 679, 680, 725,  
219/727, 734, 435; 99/DIG. 14

See application file for complete search history.

(56) **References Cited**

**U.S. PATENT DOCUMENTS**

D532,645 S \* 11/2006 Lee ..... D7/351

D560,422 S \* 1/2008 Kim ..... D7/351  
D560,423 S \* 1/2008 Kim ..... D7/351  
D561,529 S \* 2/2008 Suh et al. .... D7/405

\* cited by examiner

*Primary Examiner*—Ruth McInroy

(74) *Attorney, Agent, or Firm*—Morgan Lewis & Bockius LLP

(57) **CLAIM**

The ornamental design for a microwave oven, as shown and described.

**DESCRIPTION**

FIG. 1 is a front, right perspective of the microwave oven showing my new design;

FIG. 2 is a front view thereof;

FIG. 3 is a rear view thereof;

FIG. 4 is a left side view thereof;

FIG. 5 is a right side view thereof;

FIG. 6 is a top plan view thereof; and,

FIG. 7 is a bottom plan view.

**1 Claim, 4 Drawing Sheets**

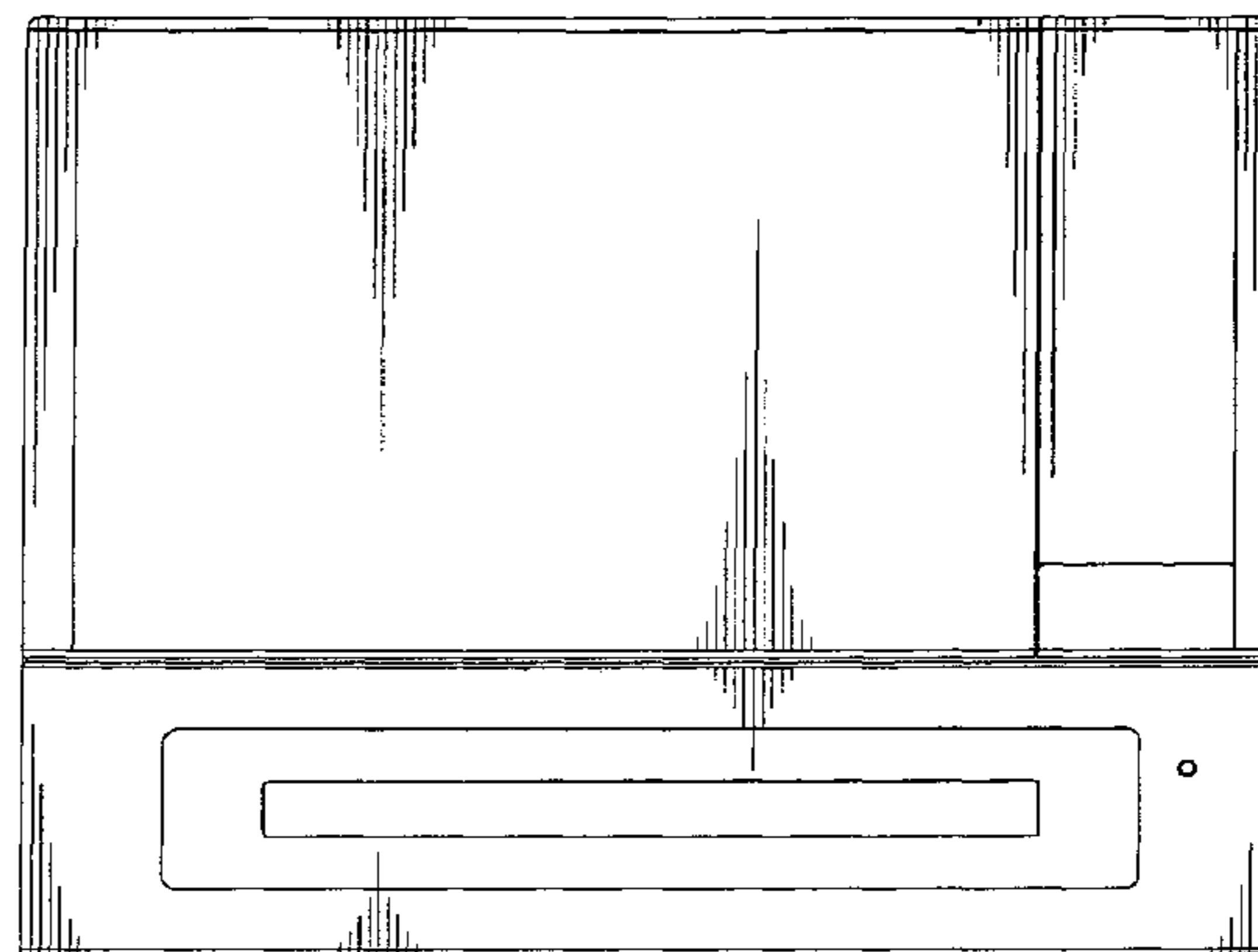
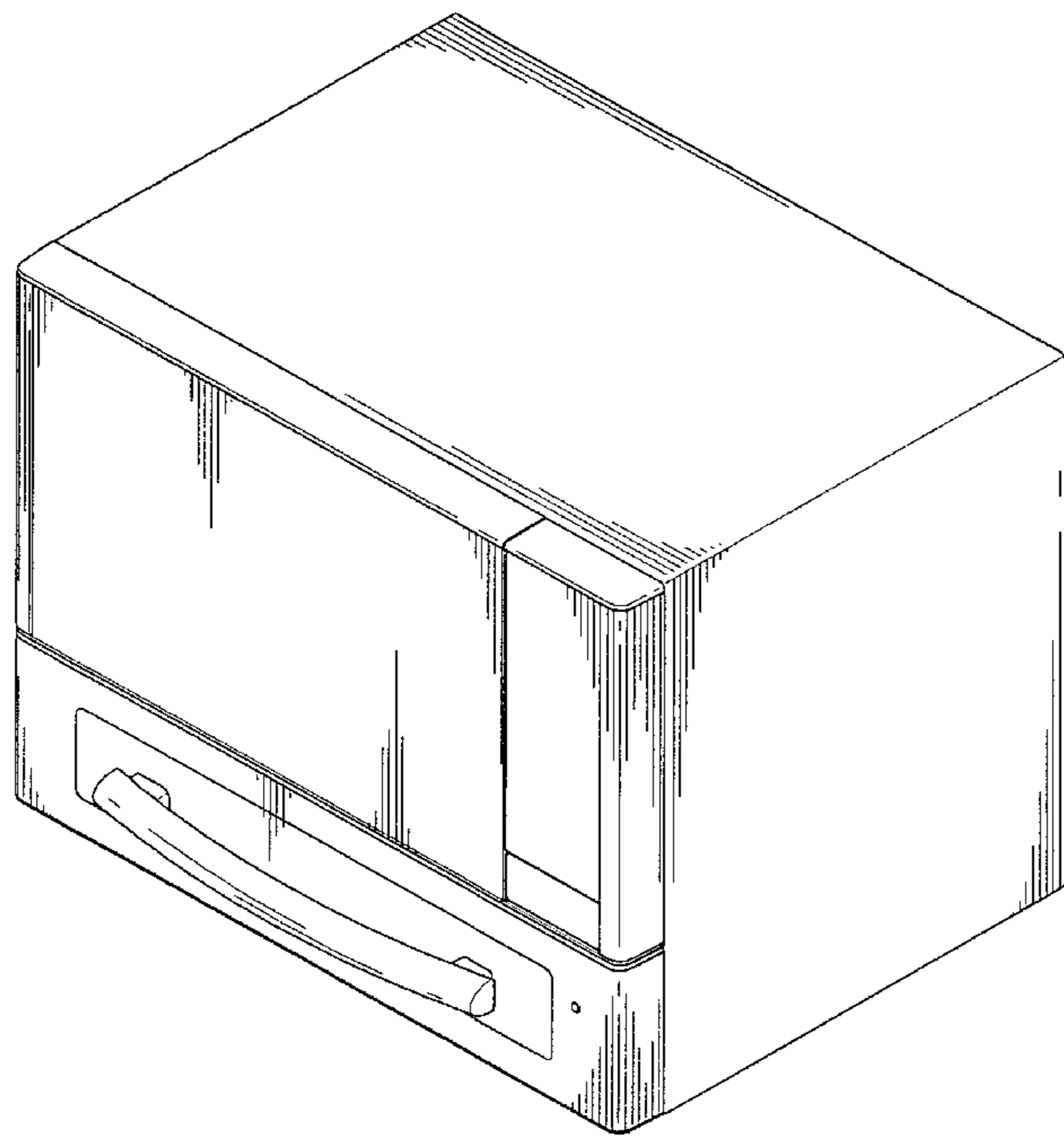


Fig.1

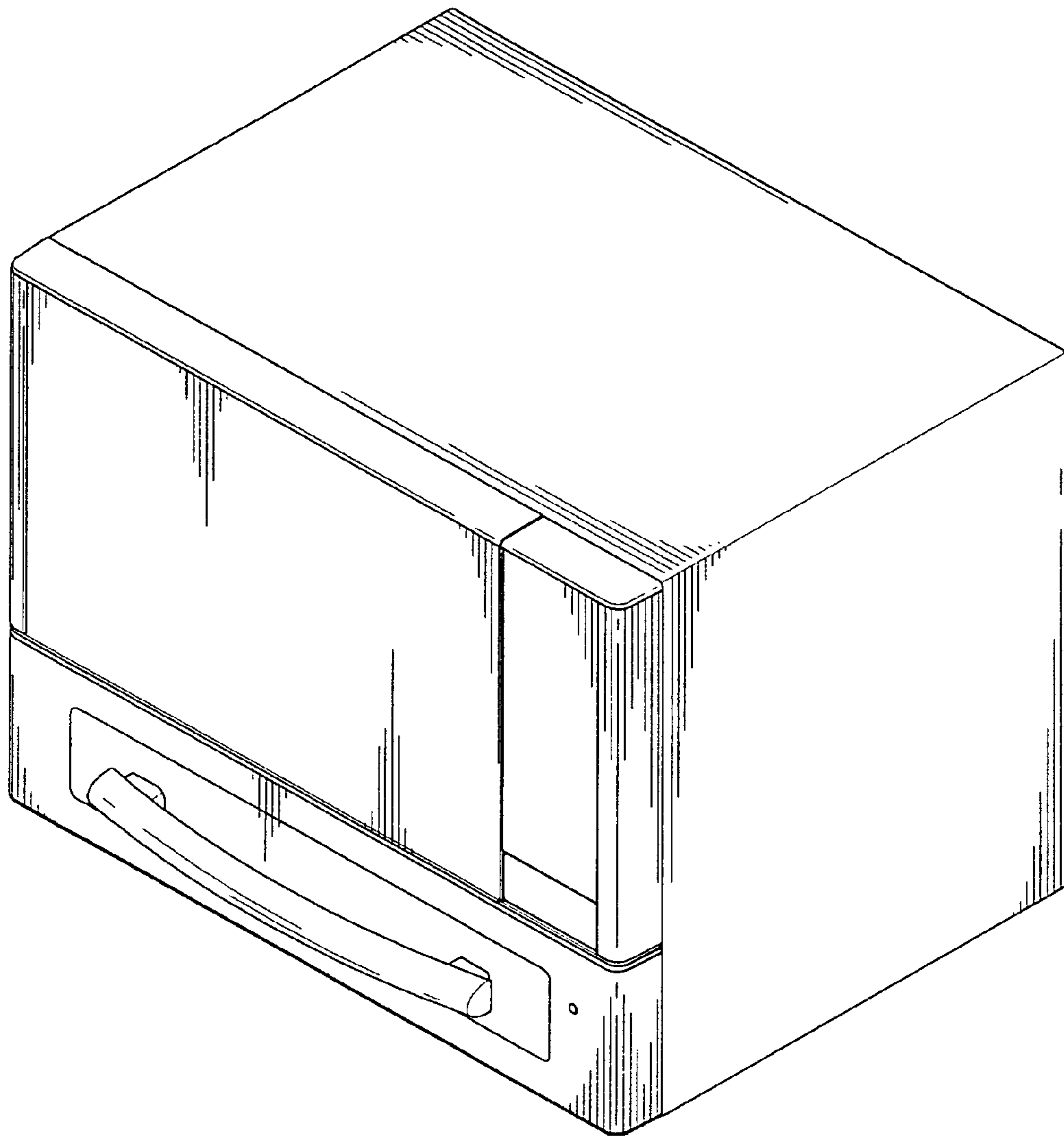


Fig.2

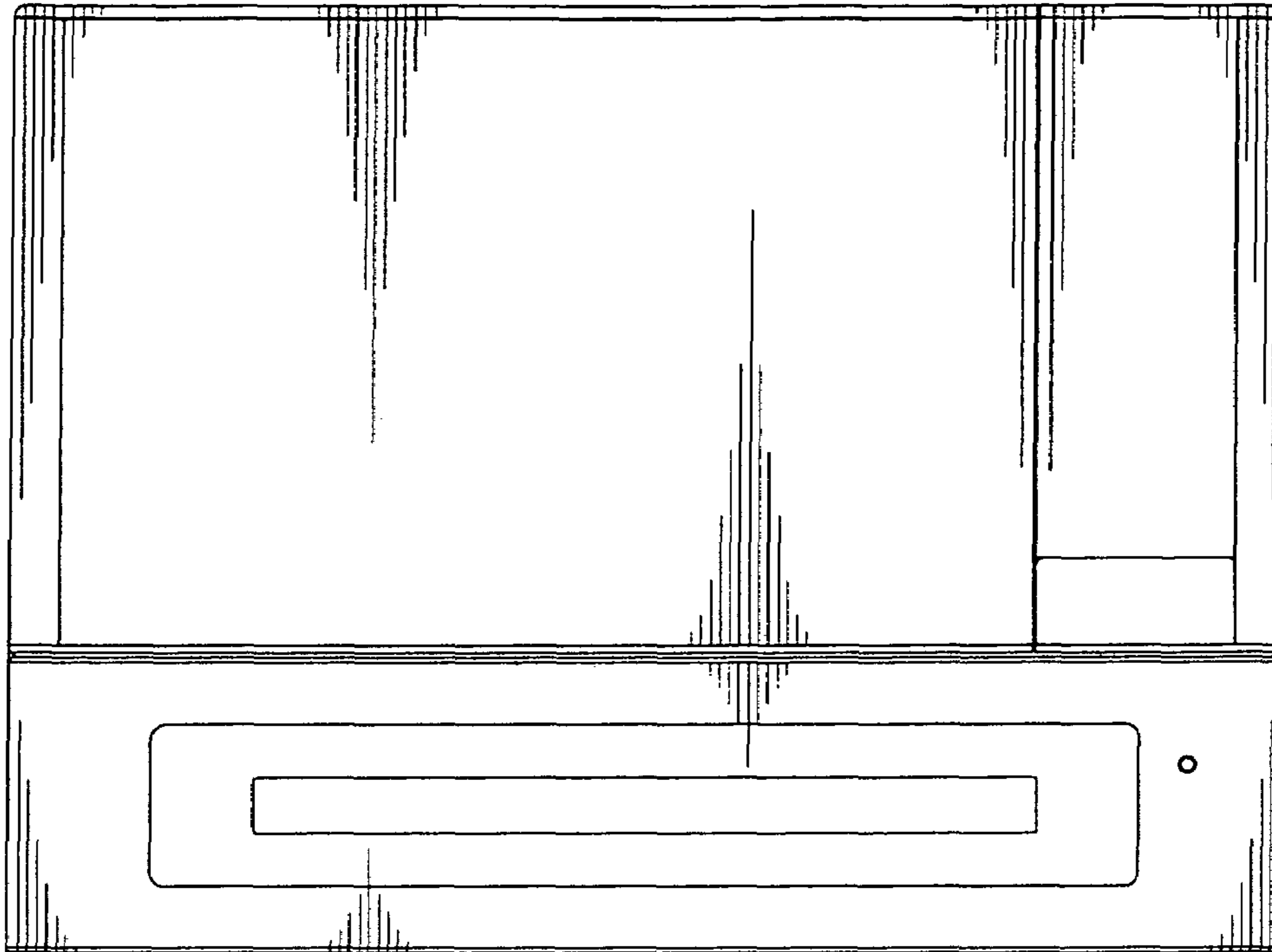


Fig.3

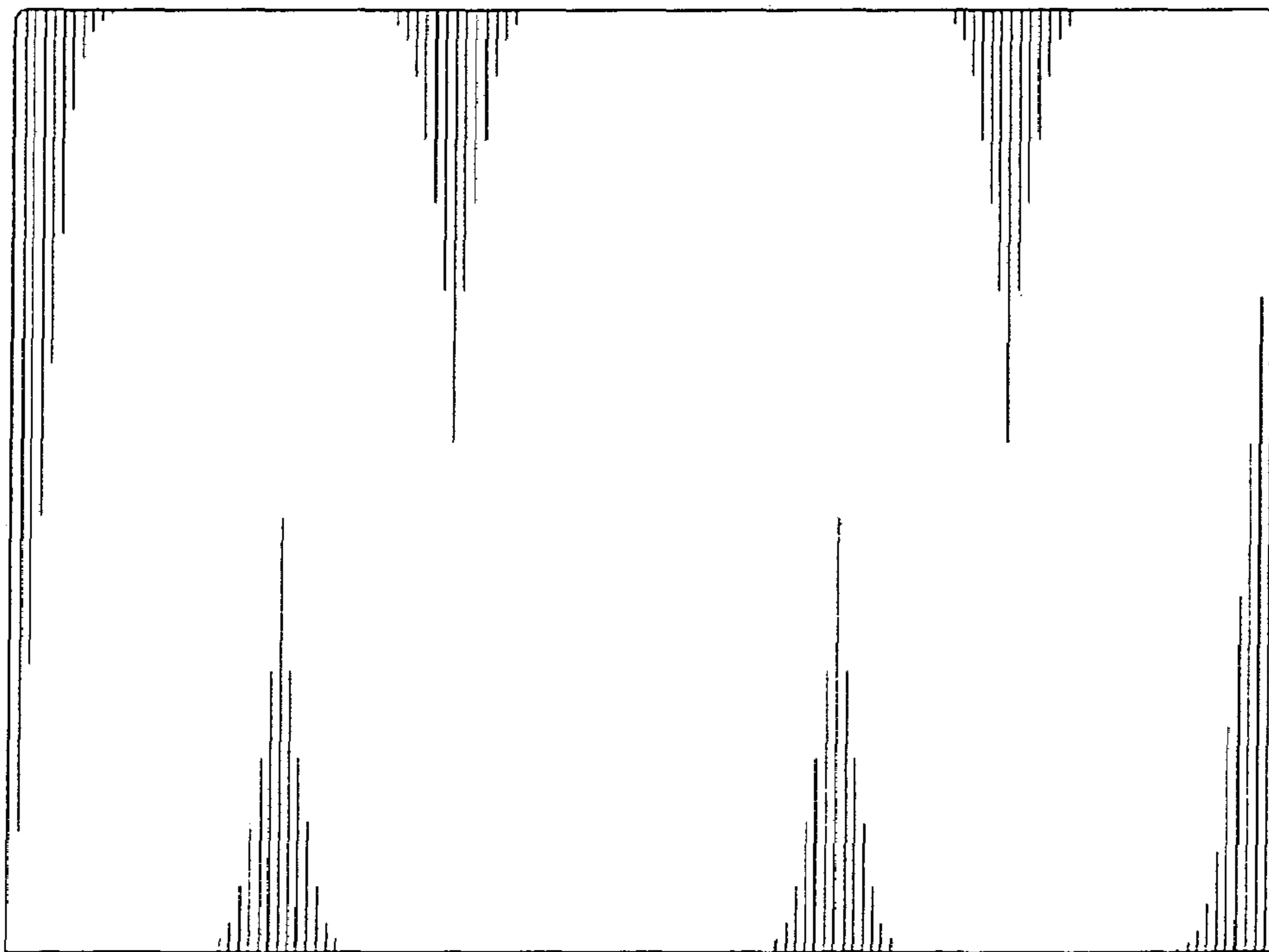


Fig.4

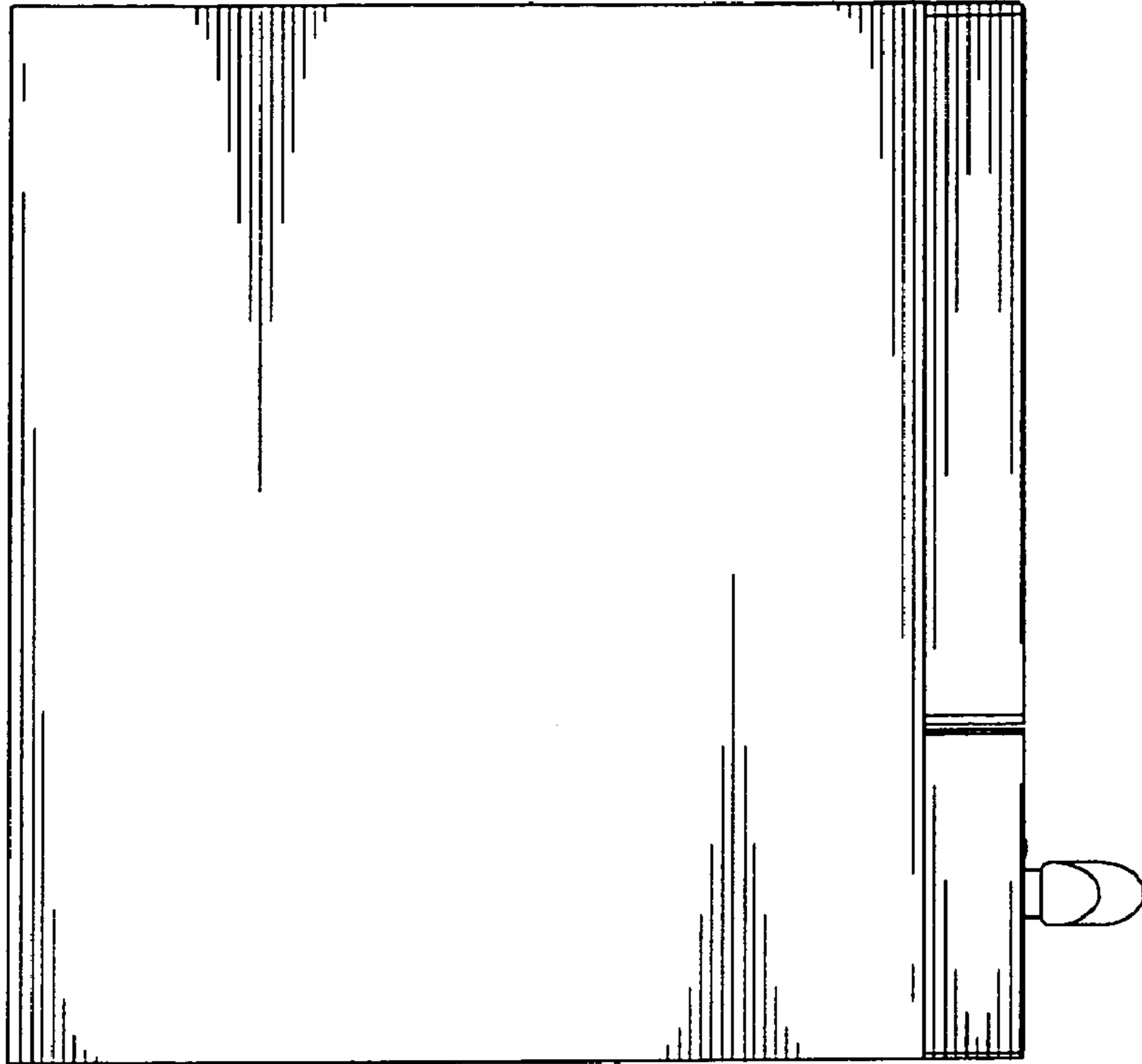


Fig.5

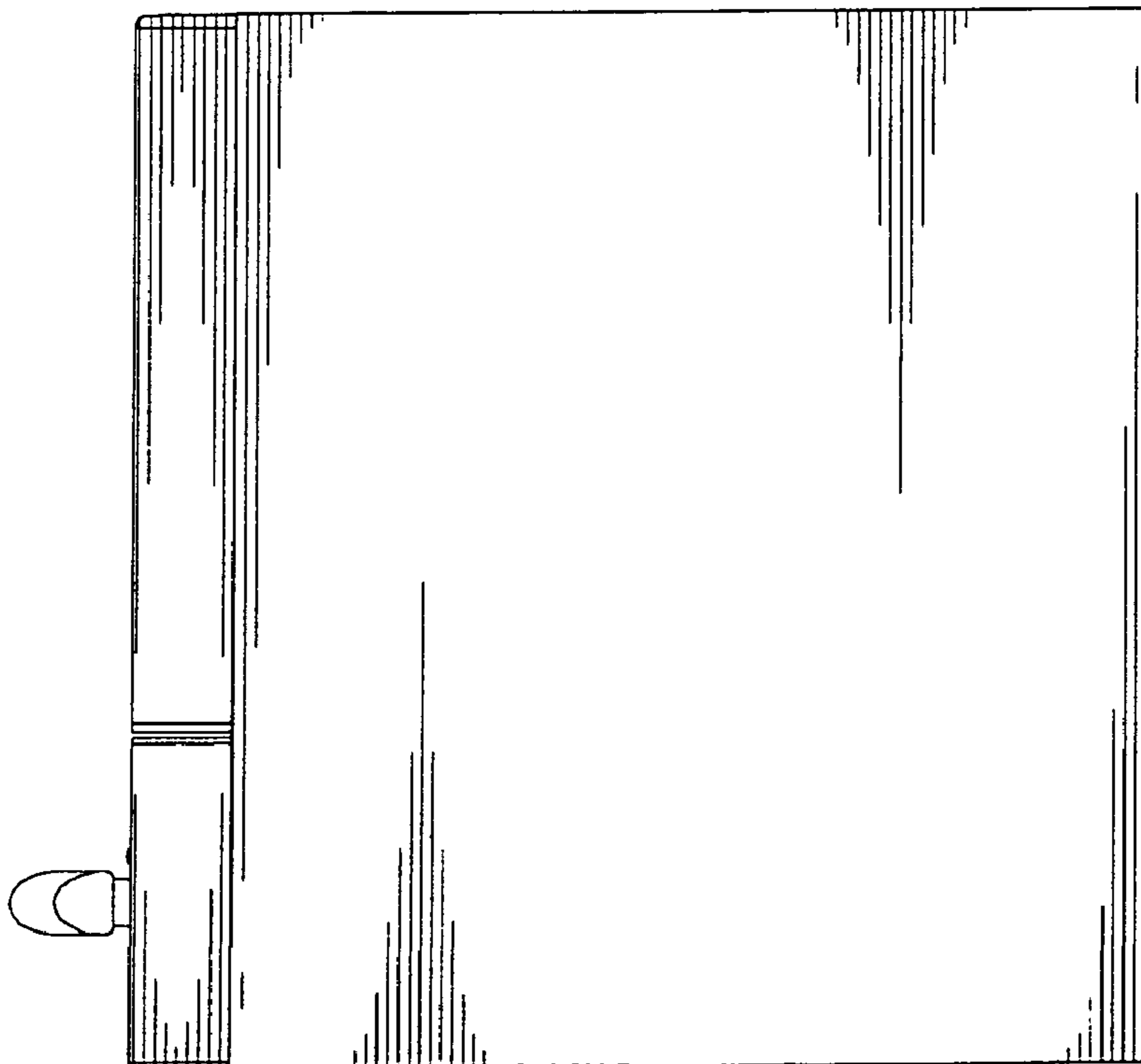


Fig.6

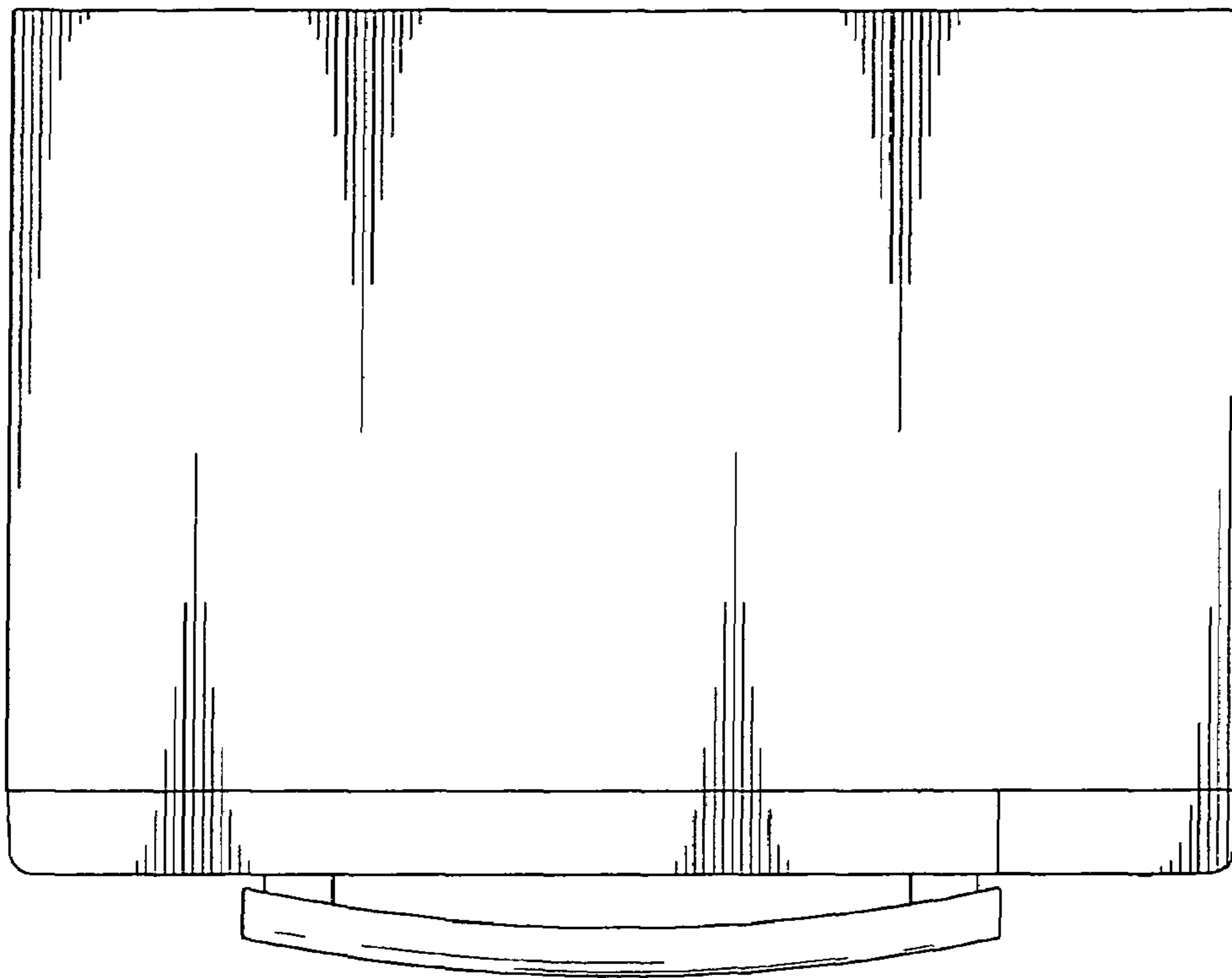


Fig.7

