



US00D584099S

(12) **United States Design Patent**
Terzariol et al.

(10) **Patent No.:** **US D584,099 S**
(45) **Date of Patent:** **** Jan. 6, 2009**

(54) **COFFEE MACHINE**

D283,778 S * 5/1986 Jack D7/309

(75) Inventors: **Alex Terzariol**, Chiusa (IT); **Mario Varesco**, Bolzano (IT); **Gunther Kuhn**, Merano (IT); **Luciano Barberi**, Pomarolo (IT)

* cited by examiner

Primary Examiner—Holly H Baynham

Assistant Examiner—Sheryl Lane

(73) Assignee: **Illycaffè Spa Con Unico Socio**, Trieste (TS) (IT)

(74) *Attorney, Agent, or Firm*—Hamre, Schumann, Mueller & Larson, P.C.

(**) Term: **14 Years**

(57) **CLAIM**

(21) Appl. No.: **29/293,270**

The ornamental design for a coffee machine, as shown and described.

(22) Filed: **Nov. 13, 2007**

DESCRIPTION

(30) **Foreign Application Priority Data**

May 14, 2007 (EM) 000722517

FIG. 1 is a perspective view of a coffee machine in accordance with our invention thereof;

(51) **LOC (9) Cl.** **07-01**

FIG. 2 is a perspective view of an alternate position thereof;

(52) **U.S. Cl.** **D7/309**

FIG. 3 is a front view thereof;

(58) **Field of Classification Search** D7/300, D7/305, 306, 307, 308; 99/299, 284, 280, 99/283, 300; 222/129.1–129.4; 219/433
See application file for complete search history.

FIG. 4 is a right side view thereof;

FIG. 5 is a left side view thereof;

FIG. 6 is a rear view thereof;

FIG. 7 is a top view thereof; and,

FIG. 8 is a bottom view thereof.

(56) **References Cited**

U.S. PATENT DOCUMENTS

D277,539 S * 2/1985 Elkerbout D7/309

1 Claim, 8 Drawing Sheets

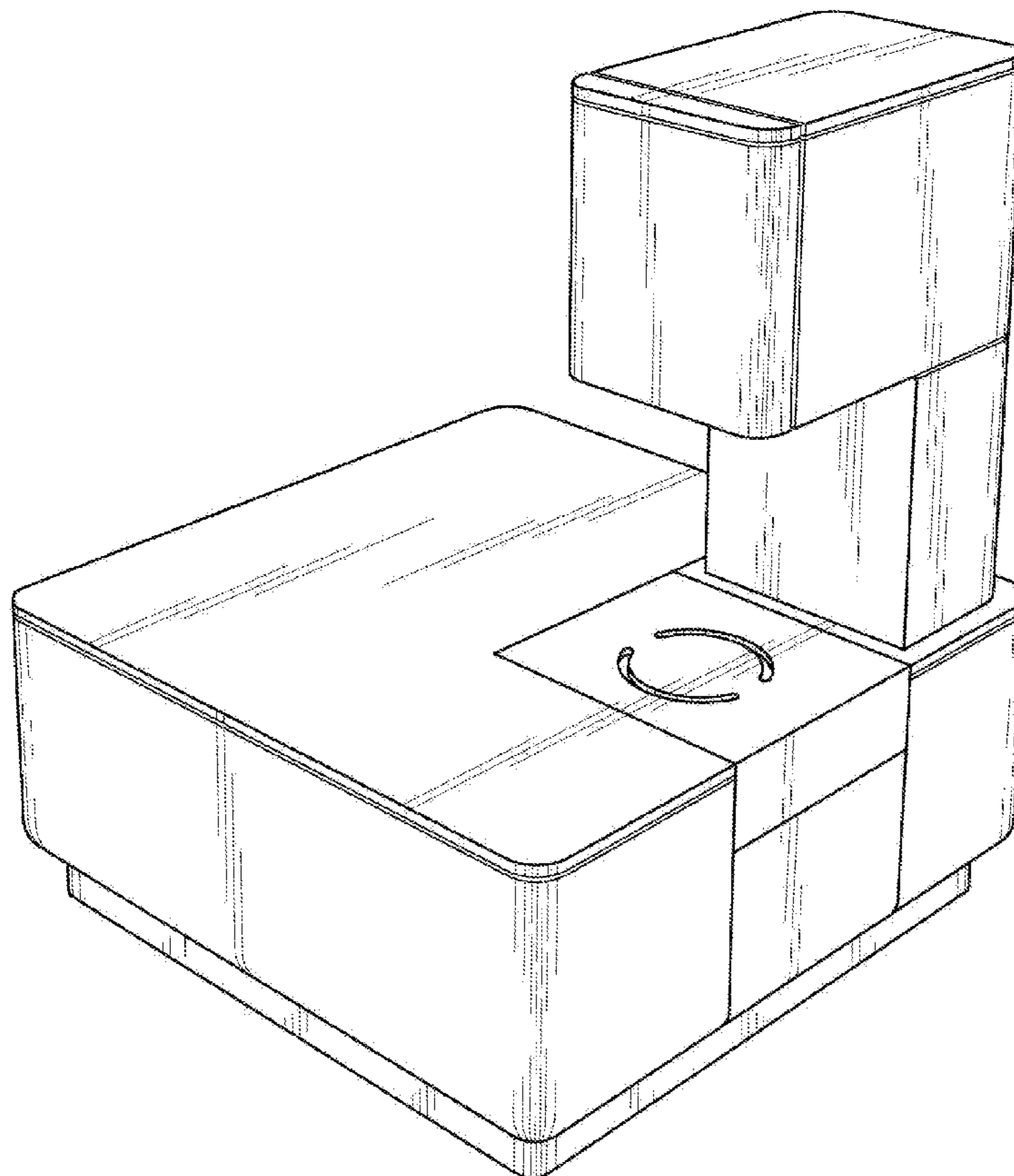


Fig. 1

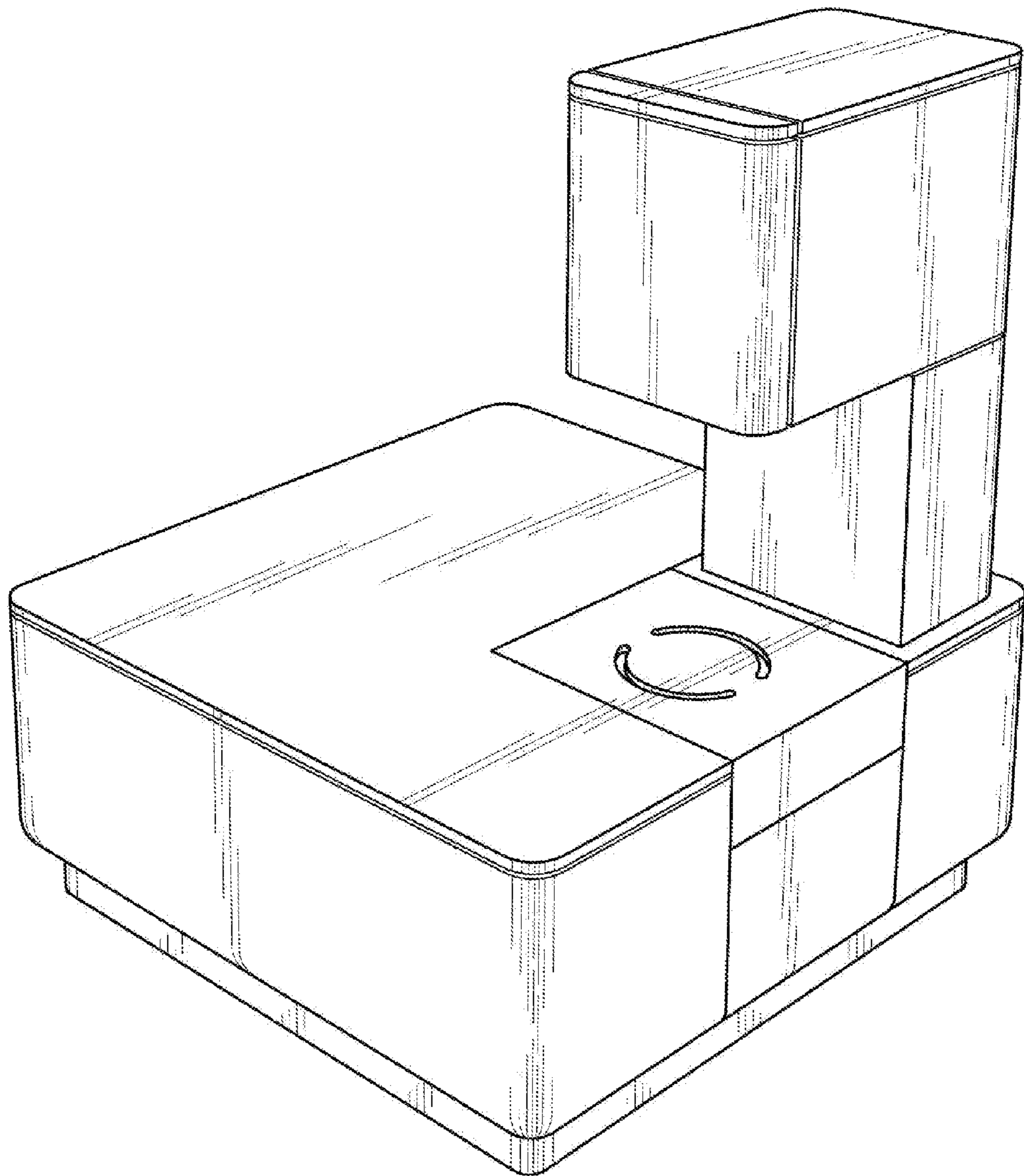


Fig. 2

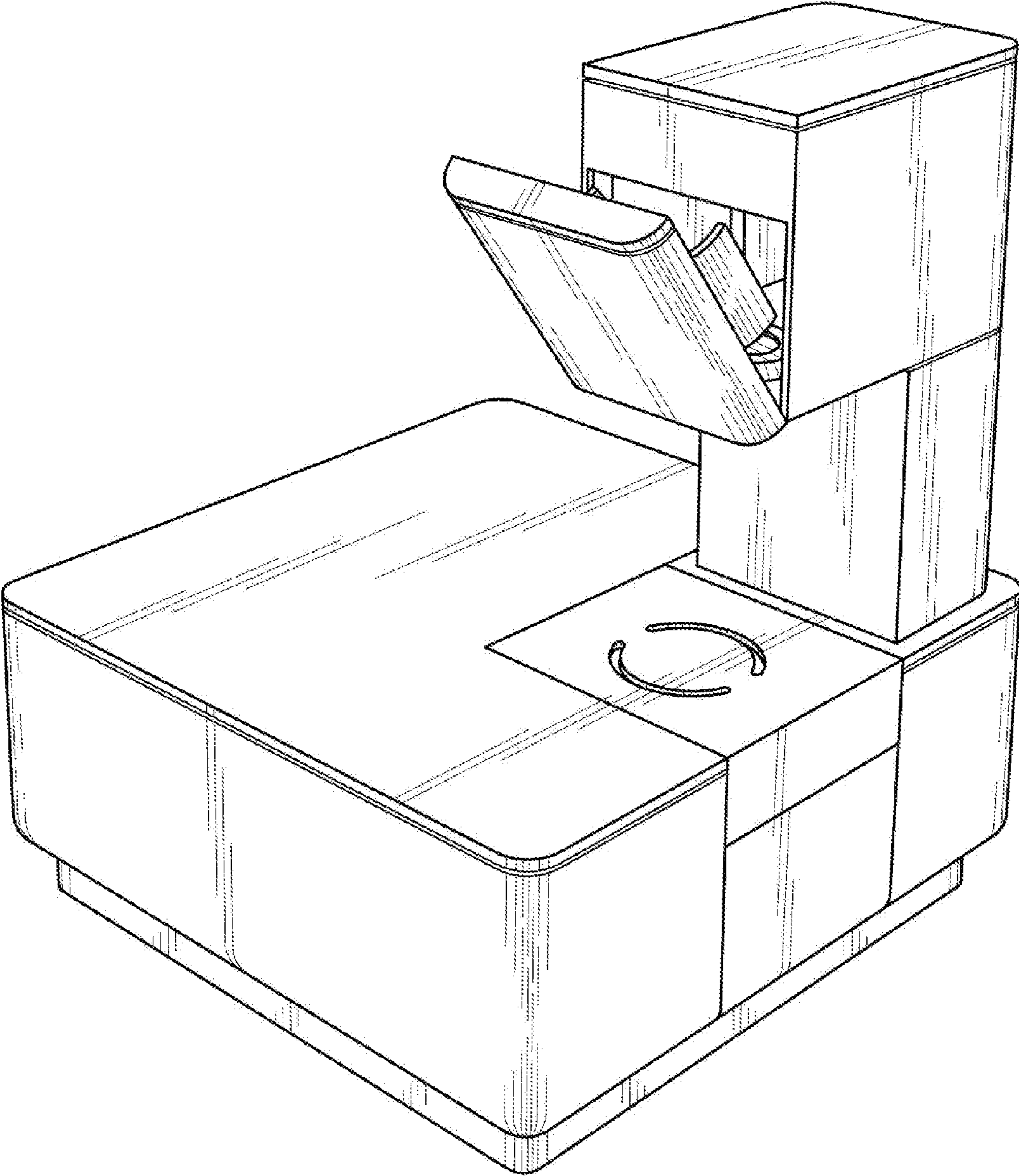


Fig. 3

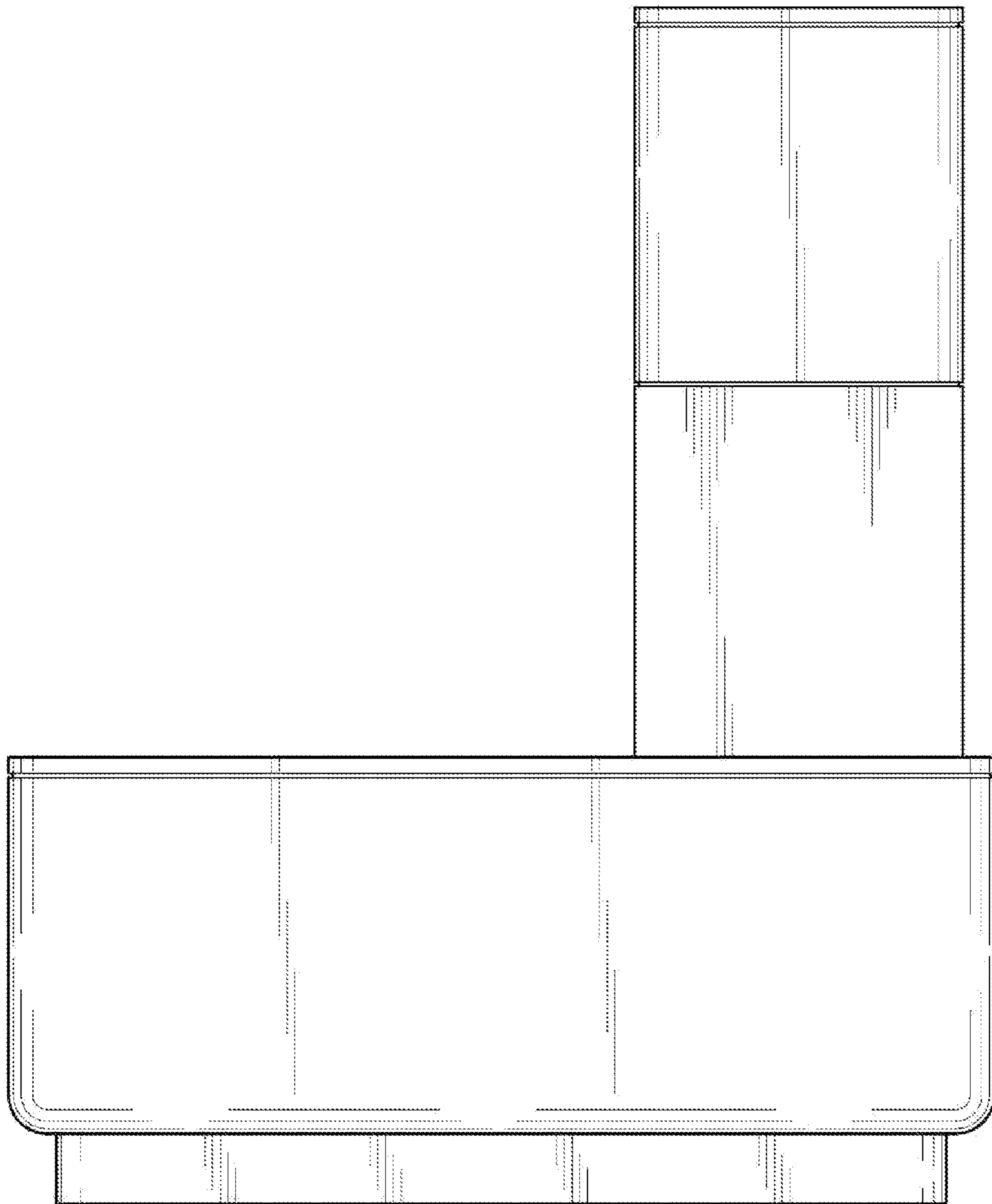


Fig. 4

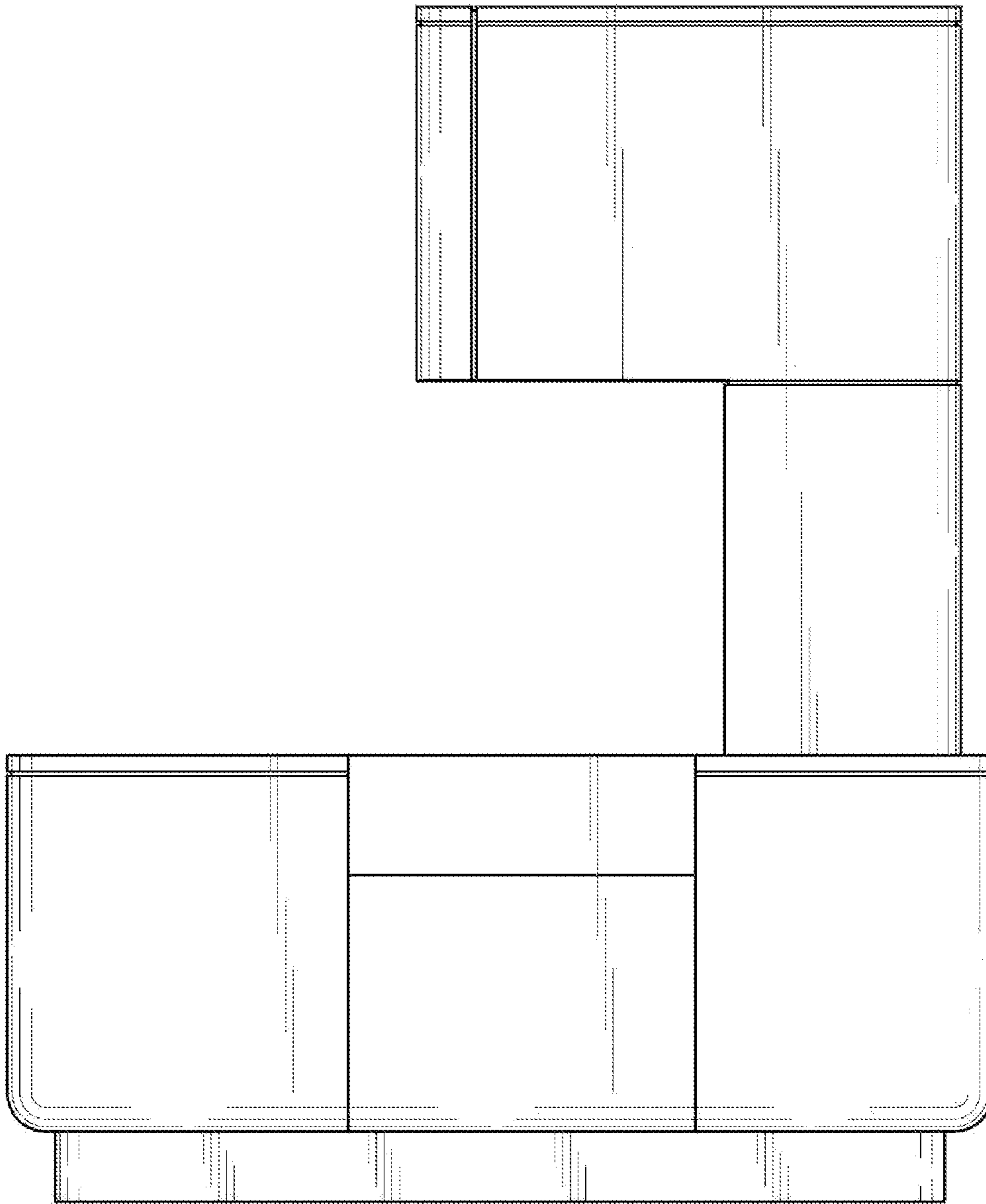


Fig. 5

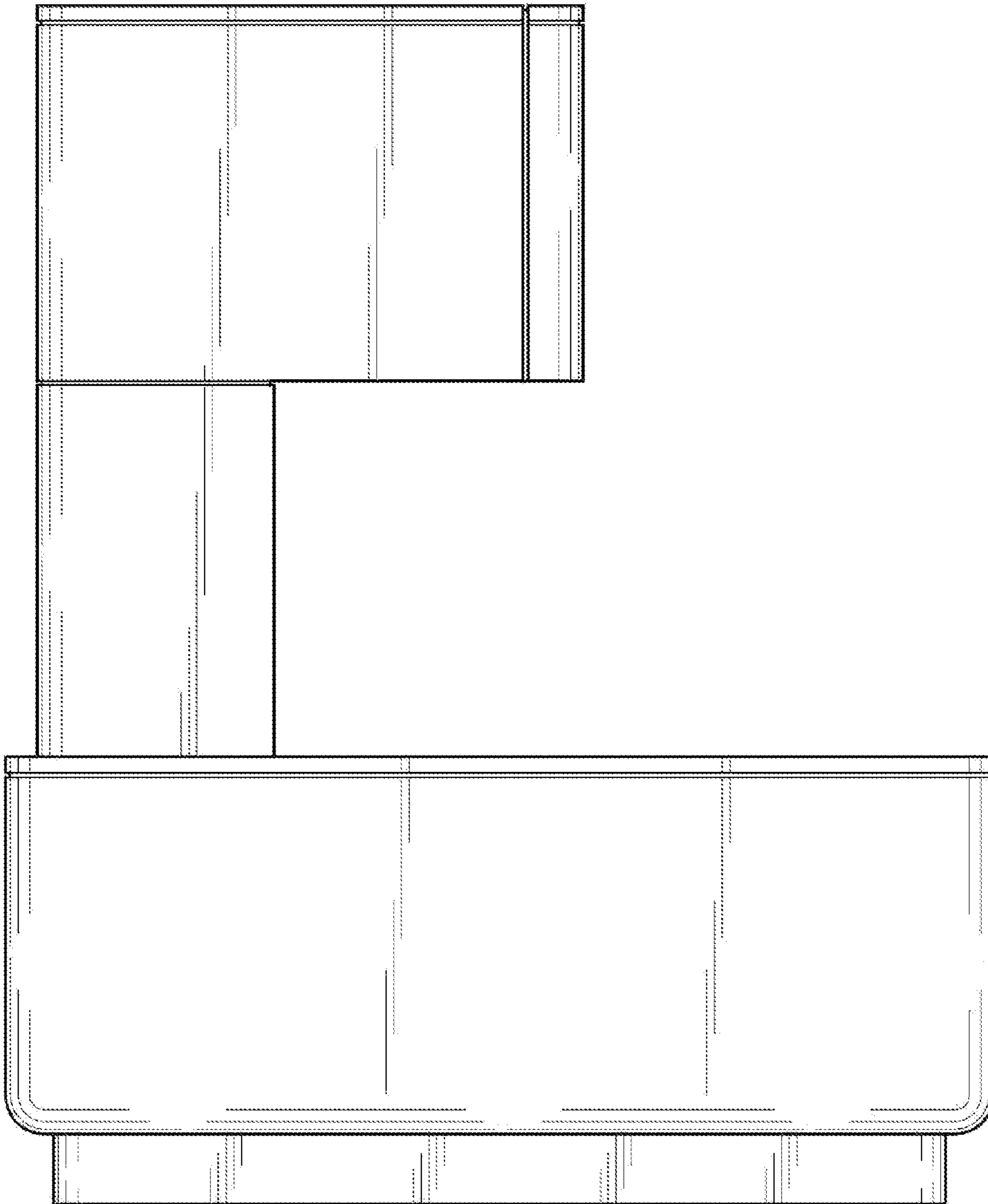


Fig. 6

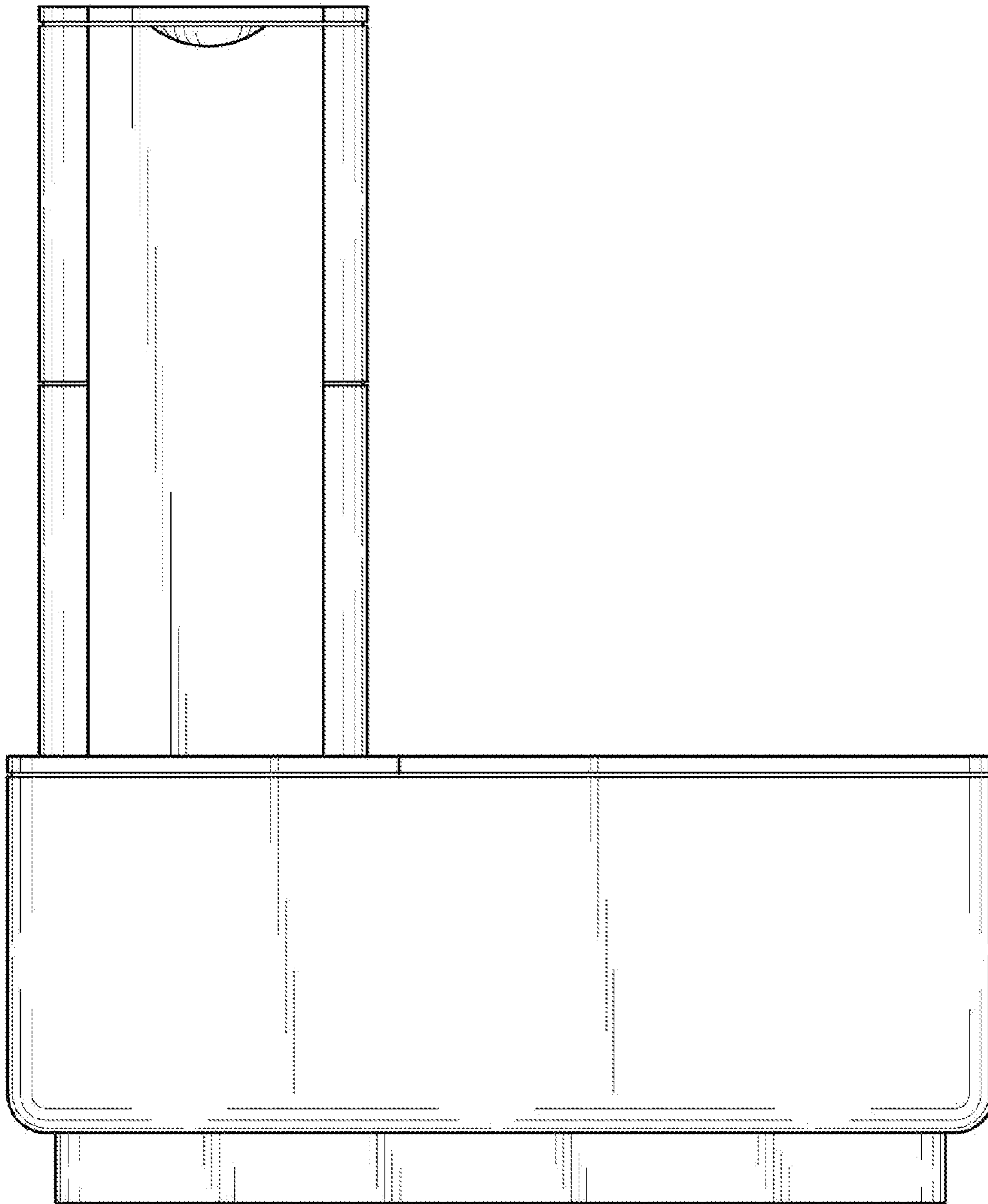


Fig. 7

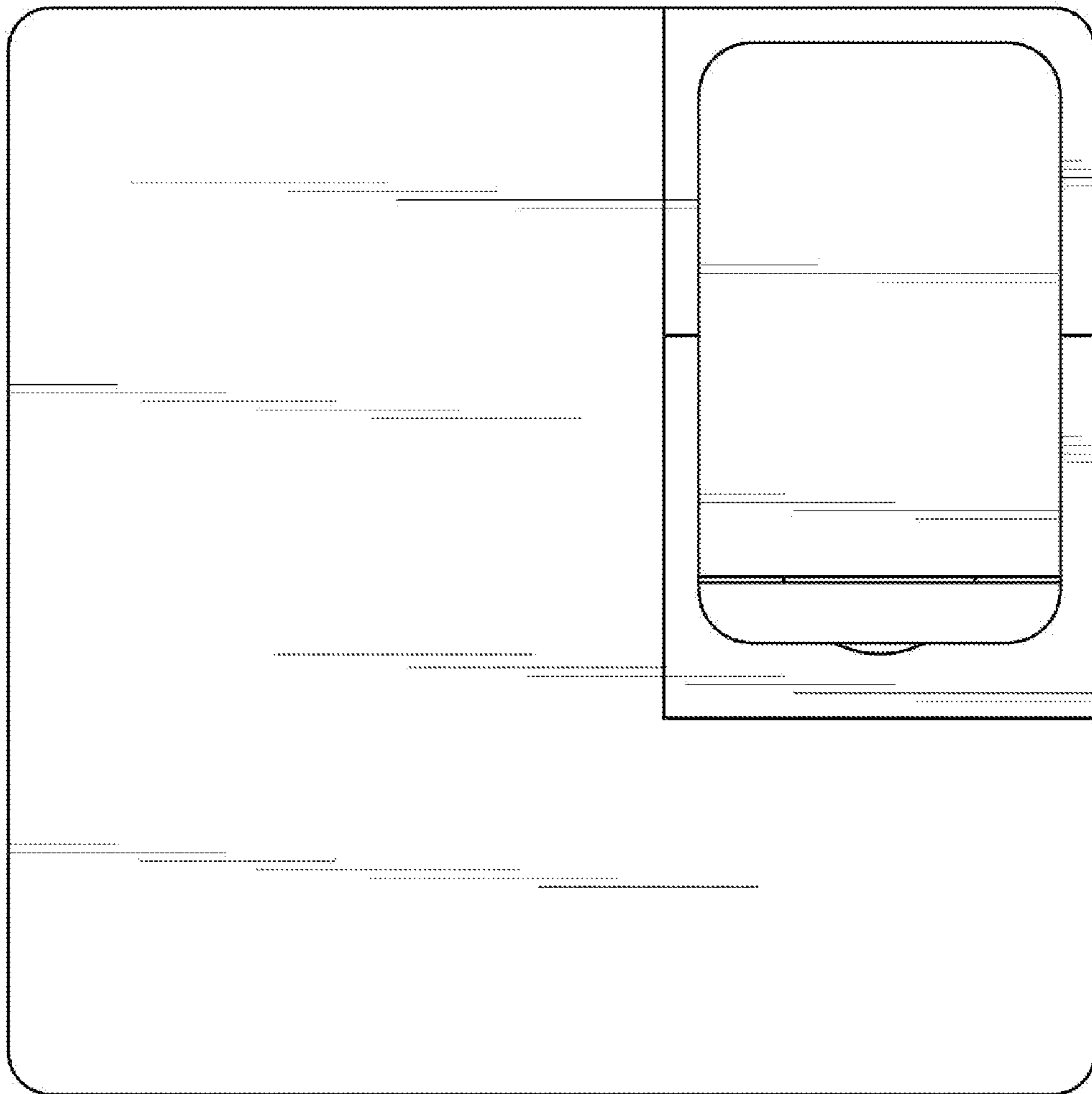


Fig. 8

