



US00D584095S

(12) **United States Design Patent**  
**Luippold**

(10) **Patent No.:** **US D584,095 S**

(45) **Date of Patent:** **\*\* Jan. 6, 2009**

(54) **HOT BEVERAGE DISPENSER**

(75) Inventor: **Gregor Luippold**, München (DE)

(73) Assignee: **BSH Bosch und Siemens Hausgeraete GmbH**, Munich (DE)

(\*\*) Term: **14 Years**

(21) Appl. No.: **29/292,949**

(22) Filed: **Nov. 1, 2007**

(30) **Foreign Application Priority Data**

May 8, 2007 (EM) ..... 000727524

(51) **LOC (9) Cl.** ..... **07-01**

(52) **U.S. Cl.** ..... **D7/306; D7/311; D7/309**

(58) **Field of Classification Search** ..... D7/309-311,  
D7/306-308, 300, 397-399; 99/280, 286,  
99/305, 306, 295, 279, 299, 285; D20/1,  
D20/4, 5; 222/108, 1, 152, 190, 399, 95,  
222/129, 146.1; D15/79

See application file for complete search history.

(56) **References Cited**

**U.S. PATENT DOCUMENTS**

D396,987 S \* 8/1998 Seiffert ..... D7/309  
D486,346 S \* 2/2004 Jonsson ..... D7/309

D514,371 S \* 2/2006 Yang et al. .... D7/309  
D536,917 S \* 2/2007 McWilliam ..... D7/309  
D562,052 S \* 2/2008 De Pra' ..... D7/309  
D562,616 S \* 2/2008 Tonelli ..... D7/306  
D572,965 S \* 7/2008 Steiner ..... D7/309  
D577,244 S \* 9/2008 Cahen ..... D7/305  
D577,252 S \* 9/2008 Kotoku ..... D7/399

\* cited by examiner

*Primary Examiner*—Marianne Pandozzi

(74) *Attorney, Agent, or Firm*—Russell W. Warnock; James E. Howard

(57) **CLAIM**

The ornamental design for a hot beverage dispenser, as shown and described.

**DESCRIPTION**

FIG. 1 is a perspective view of a hot beverage dispenser showing my ornamental design;

FIG. 2 is a front plan view thereof;

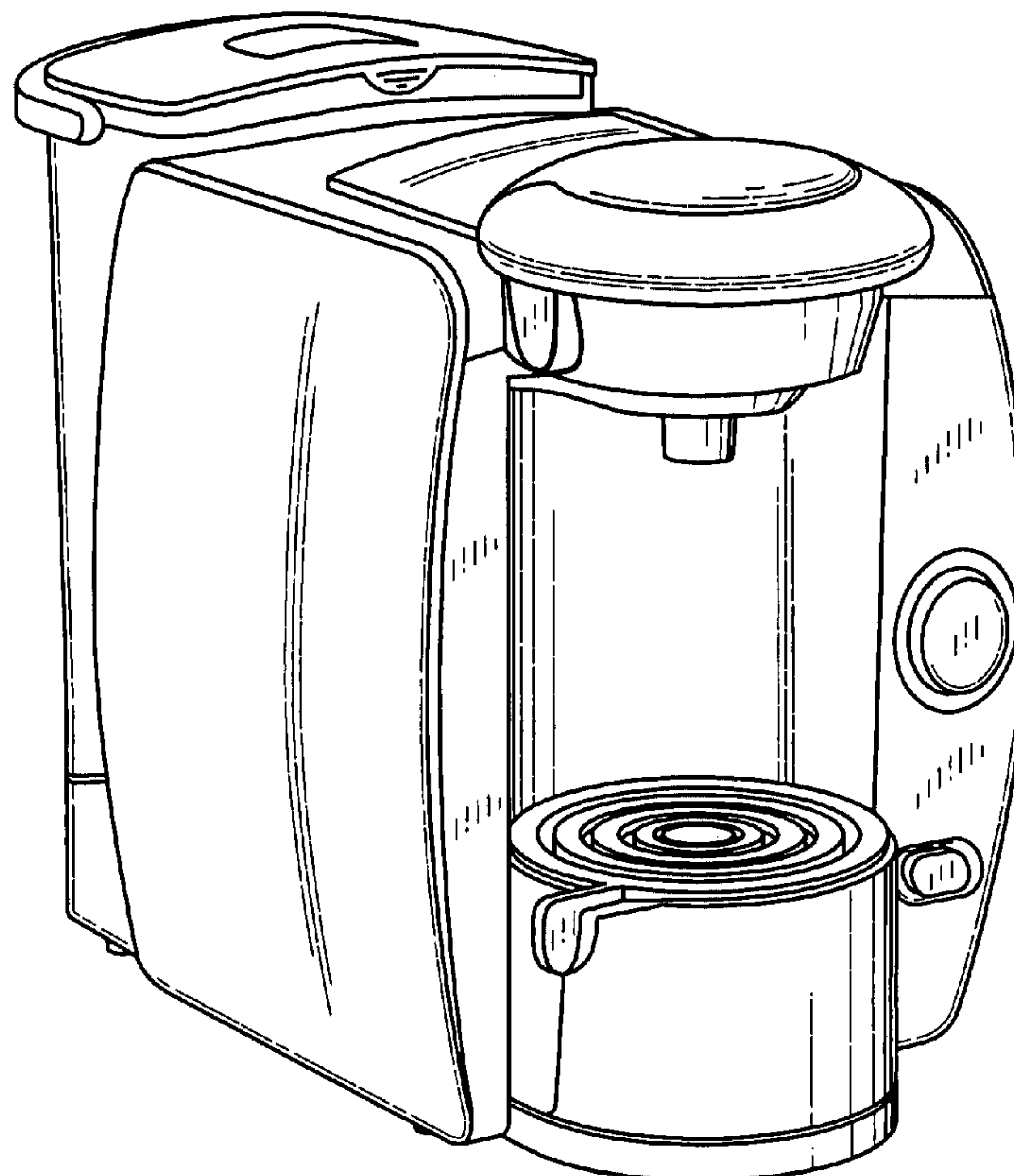
FIG. 3 is a rear plan view thereof;

FIG. 4 is a right view thereof;

FIG. 5 is a left view thereof; and,

FIG. 6 is a top view thereof.

**1 Claim, 6 Drawing Sheets**



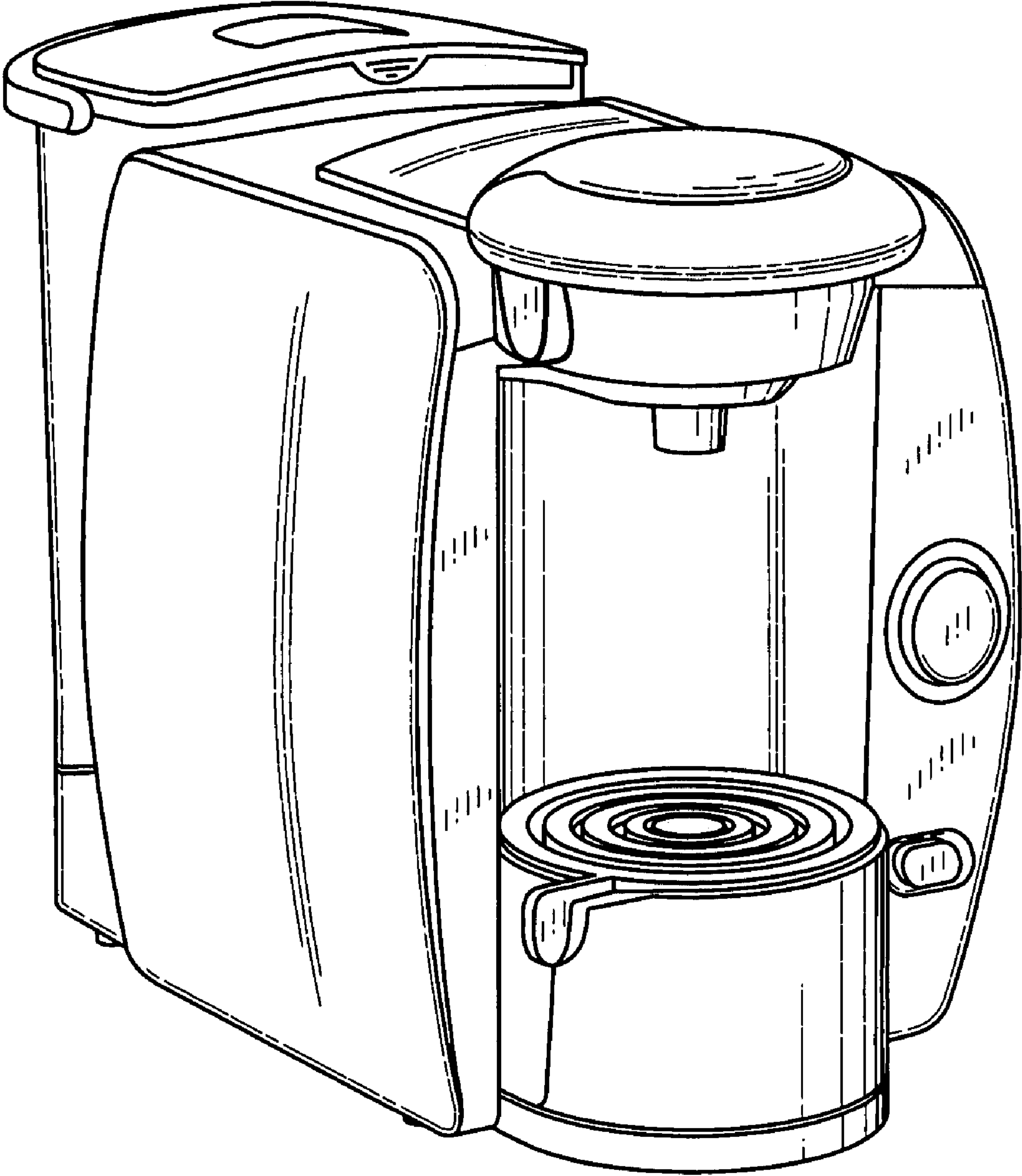


FIG. 1

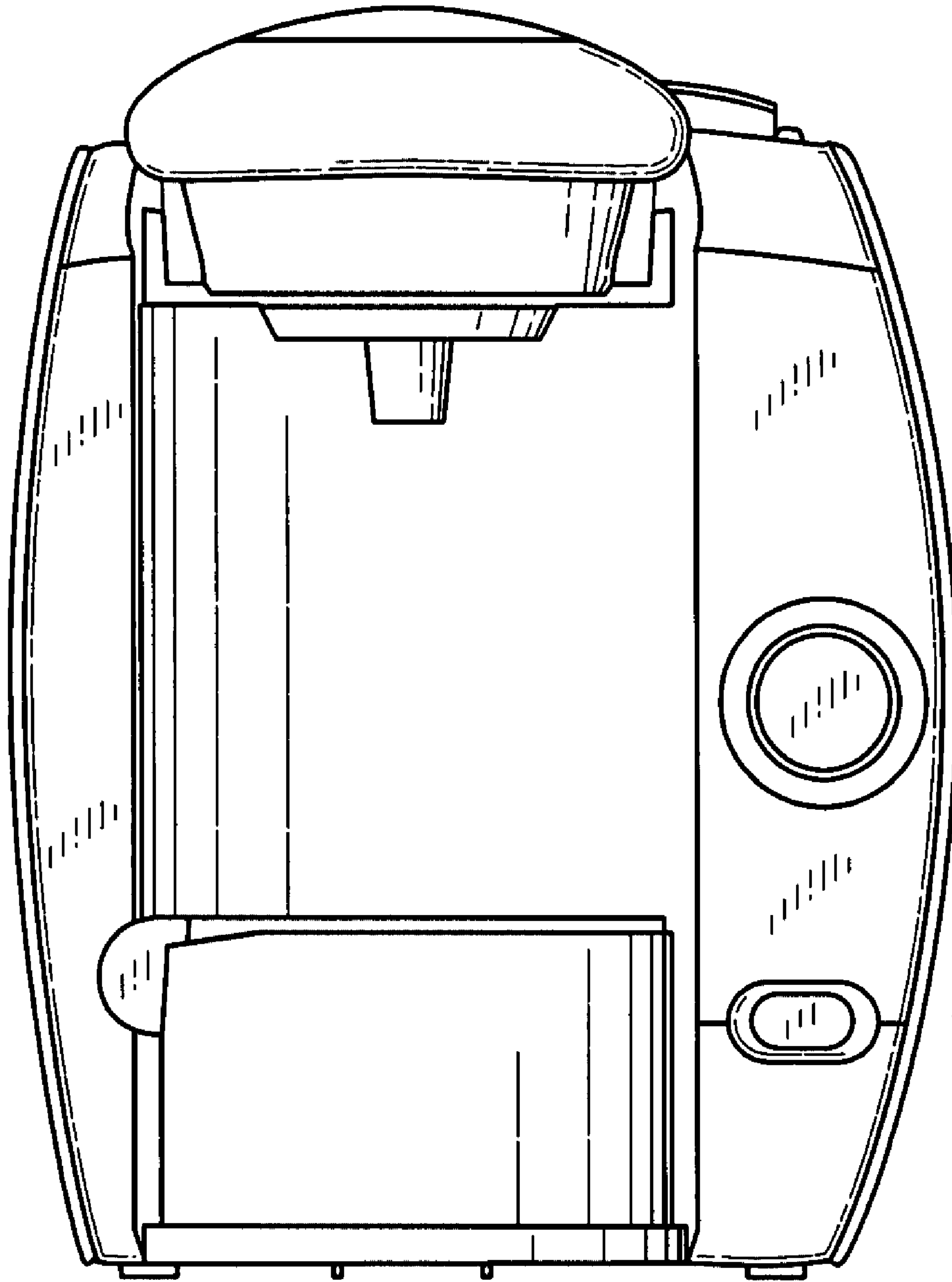


FIG. 2

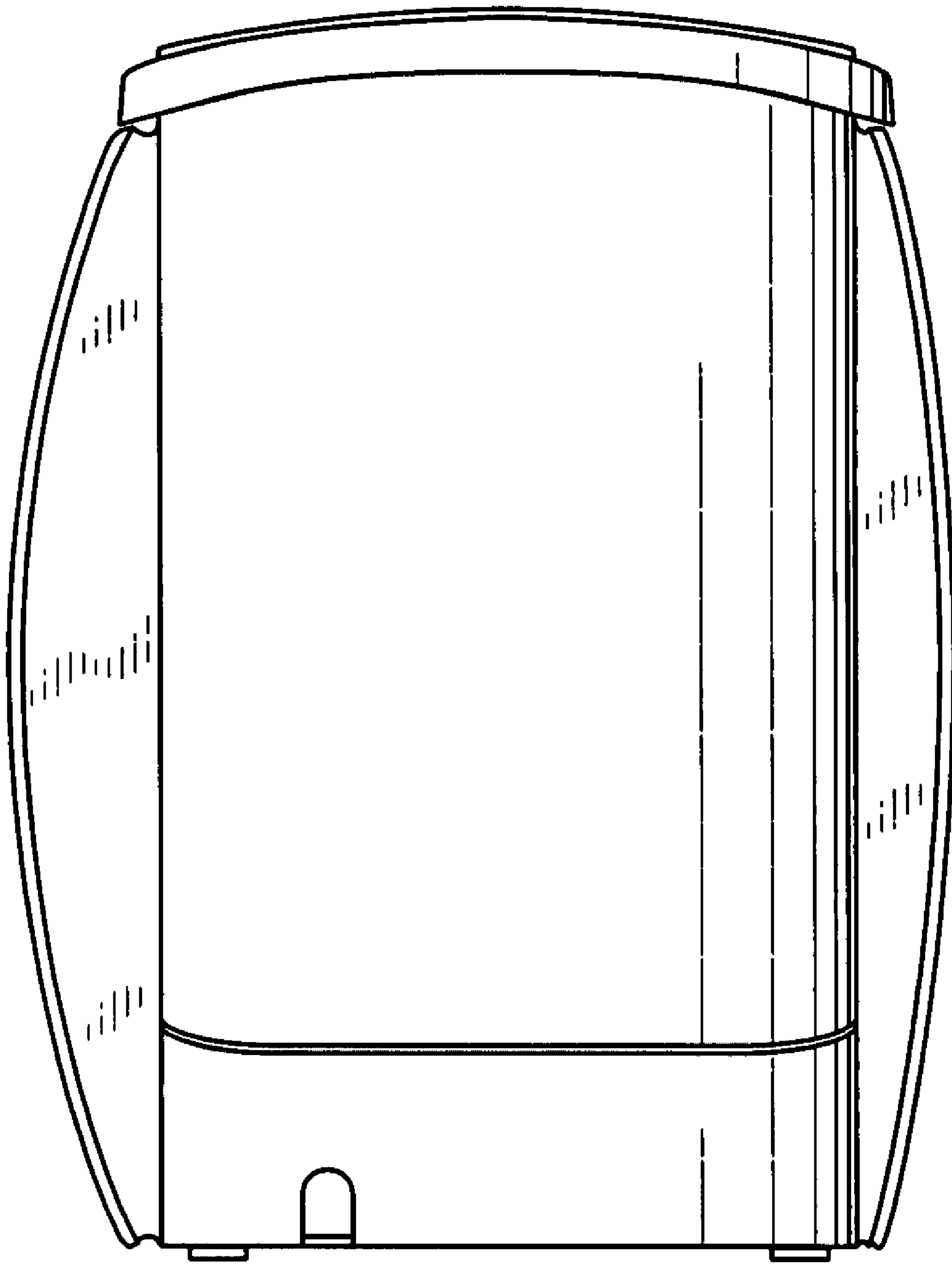


FIG. 3

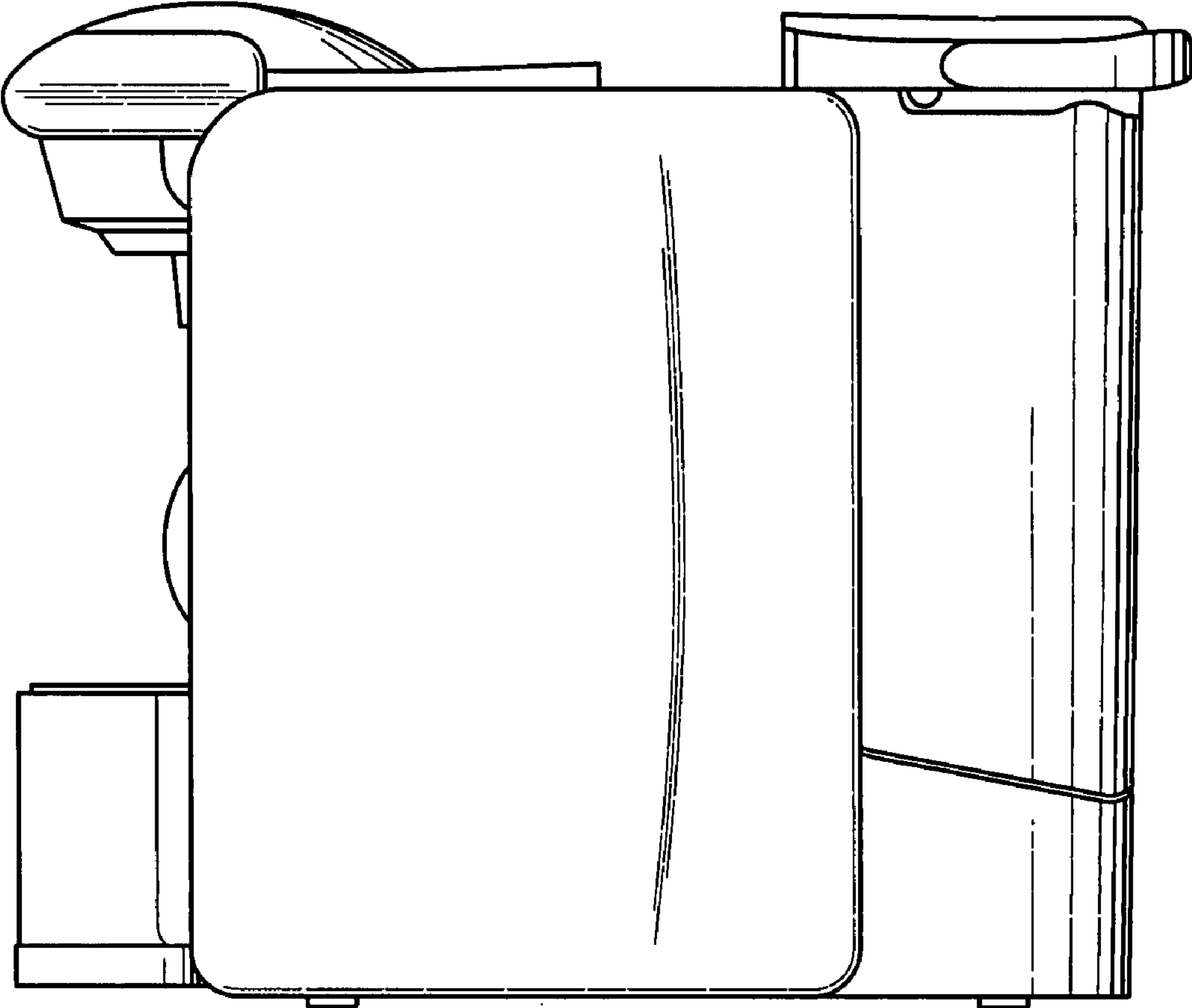


FIG. 4

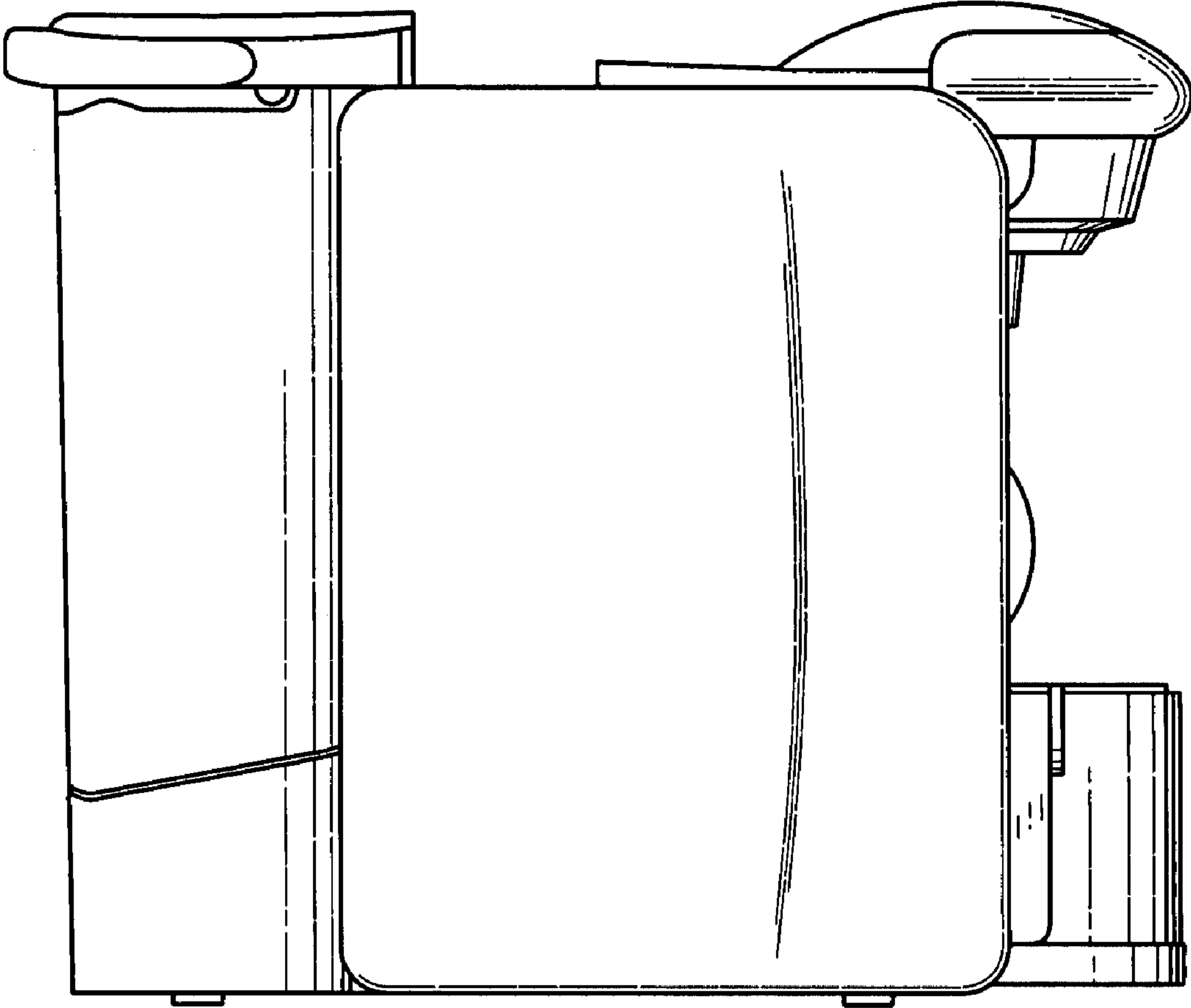


FIG. 5

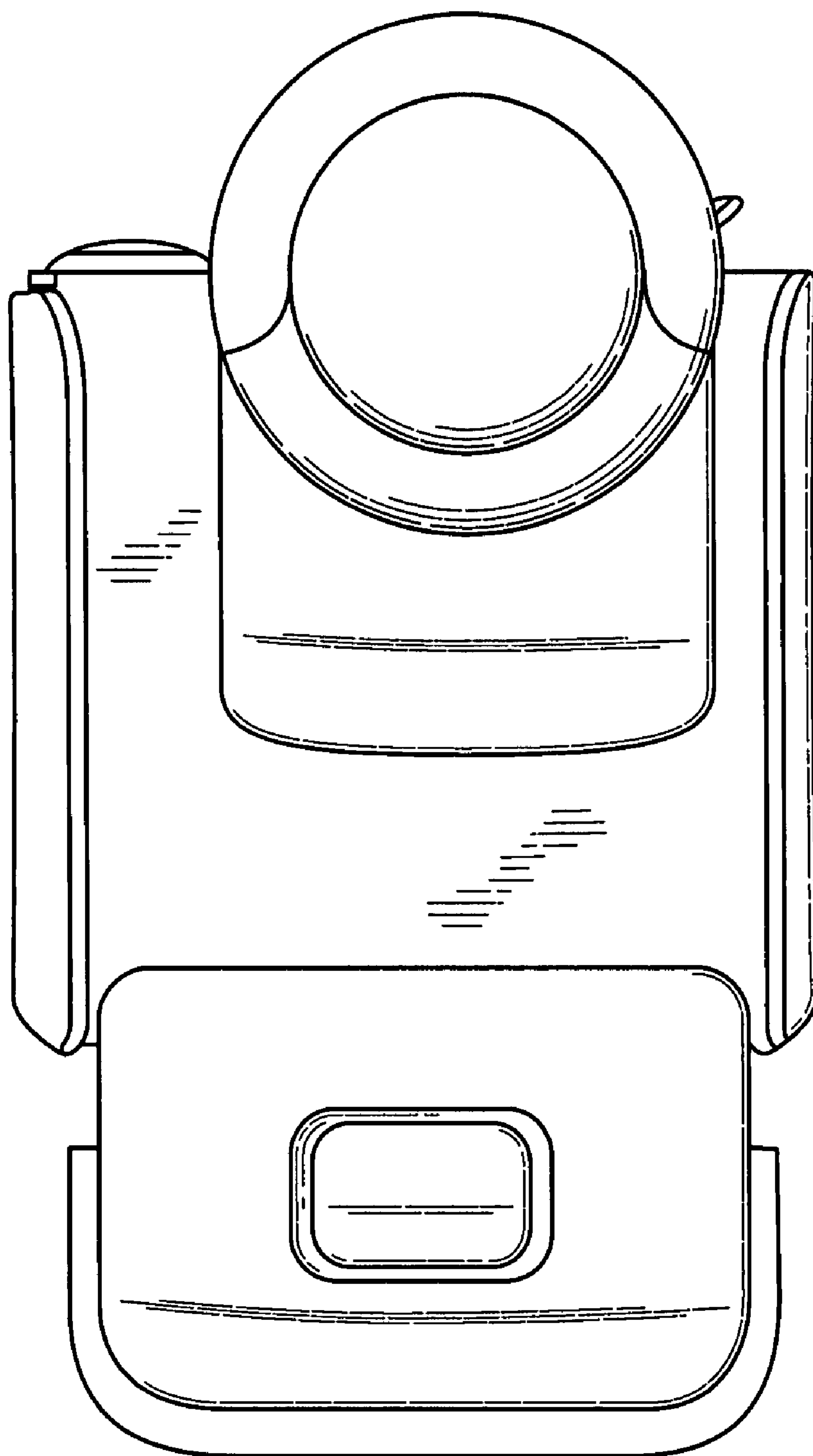


FIG. 6