



US00D584091S

(12) **United States Design Patent**  
**Goodman et al.**

(10) **Patent No.:** **US D584,091 S**  
(45) **Date of Patent:** **\*\* Jan. 6, 2009**

(54) **SCROLL LETTER HOLDER**

D567,561 S \* 4/2008 Rodriguez et al. .... D6/566  
D568,651 S \* 5/2008 Goodman et al. .... D6/514

(75) Inventors: **Sheldon H. Goodman**, Solon, OH (US);  
**Omer I. Sazir**, Cleveland, OH (US)

\* cited by examiner

(73) Assignee: **Spectrum Diversified Designs, Inc.**,  
Streetsboro, OH (US)

*Primary Examiner*—Brian N Vinson  
(74) *Attorney, Agent, or Firm*—Pearne & Gordon LLP

(\*\*) Term: **14 Years**

(57) **CLAIM**

(21) Appl. No.: **29/303,484**

The ornamental design for a scroll letter holder, as shown and described.

(22) Filed: **Feb. 11, 2008**

**DESCRIPTION**

(51) **LOC (9) Cl.** ..... **06-04**

FIG. 1 is a perspective view of a scroll letter holder, showing our new design;

(52) **U.S. Cl.** ..... **D6/566**

FIG. 2 is a front elevational view thereof;

(58) **Field of Classification Search** ..... D6/512-514,  
D6/553, 566, 567, 569, 315, 320, 327; D8/349,  
D8/354, 367, 372; 248/301-304, 309.1,  
248/309.2; 211/13.1, 30, 32, 70.6, 56.01,  
211/87.01, 181.1

FIG. 3 is a rear elevational view thereof;

FIG. 4 is a side elevational view thereof;

FIG. 5 is a top plan view thereof; and,

FIG. 6 is a bottom plan view thereof.

See application file for complete search history.

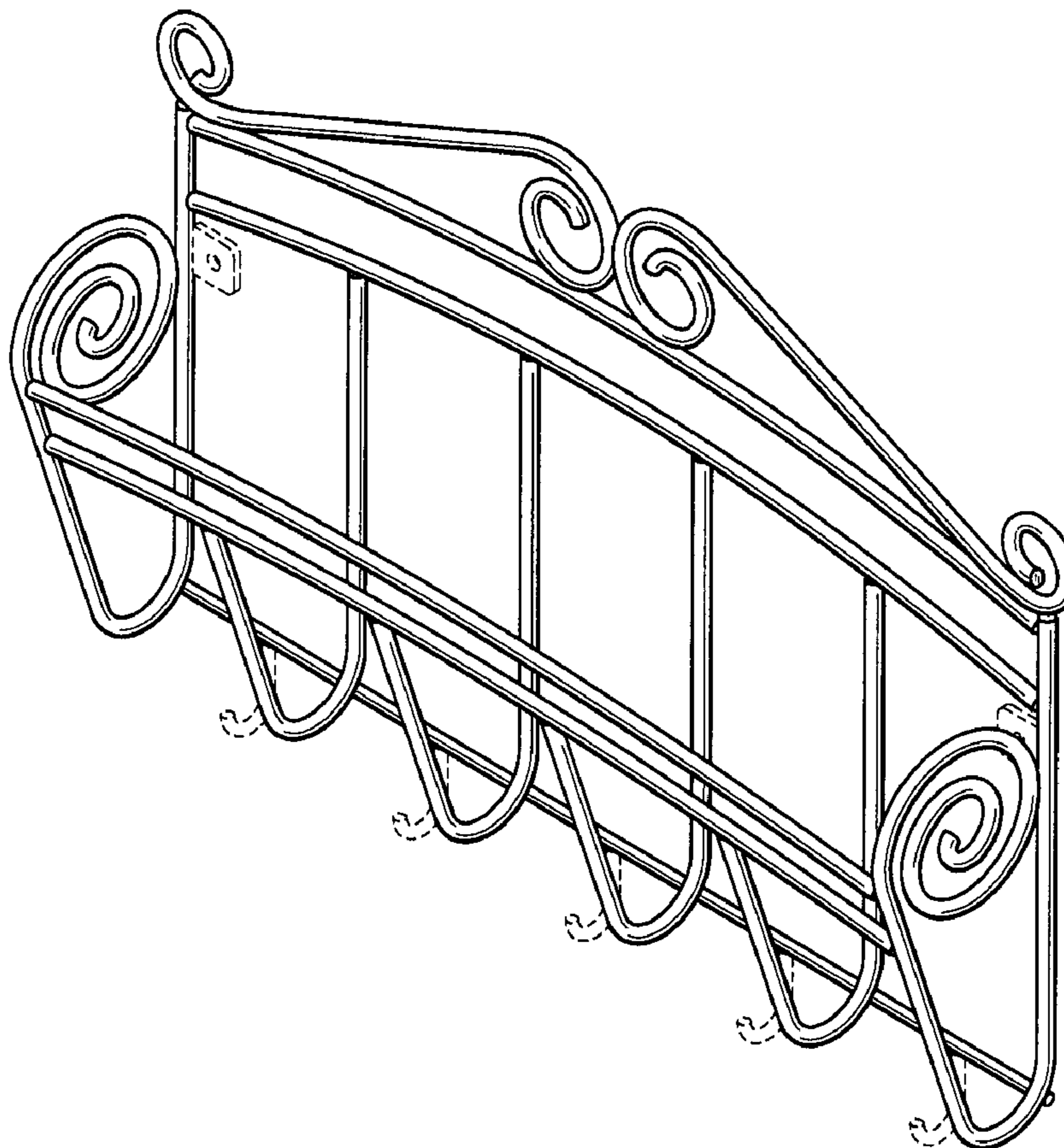
The dotted-line disclosure of elements in the views is for illustrative purposes only and forms no part of the claimed design.

(56) **References Cited**

**U.S. PATENT DOCUMENTS**

D540,091 S \* 4/2007 Snell ..... D6/566  
D553,890 S \* 10/2007 Goodman et al. .... D6/566

**1 Claim, 3 Drawing Sheets**



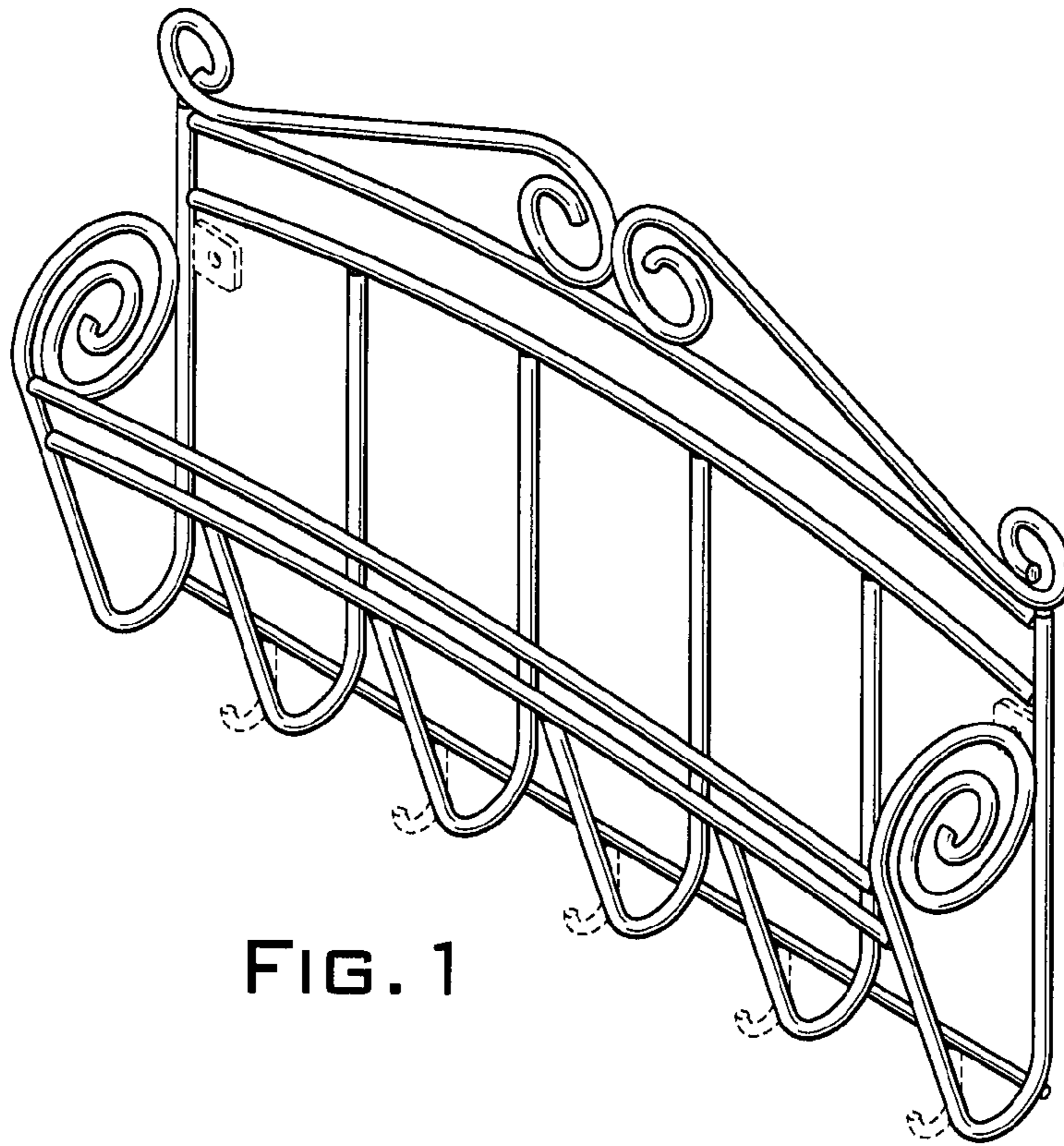


FIG. 1

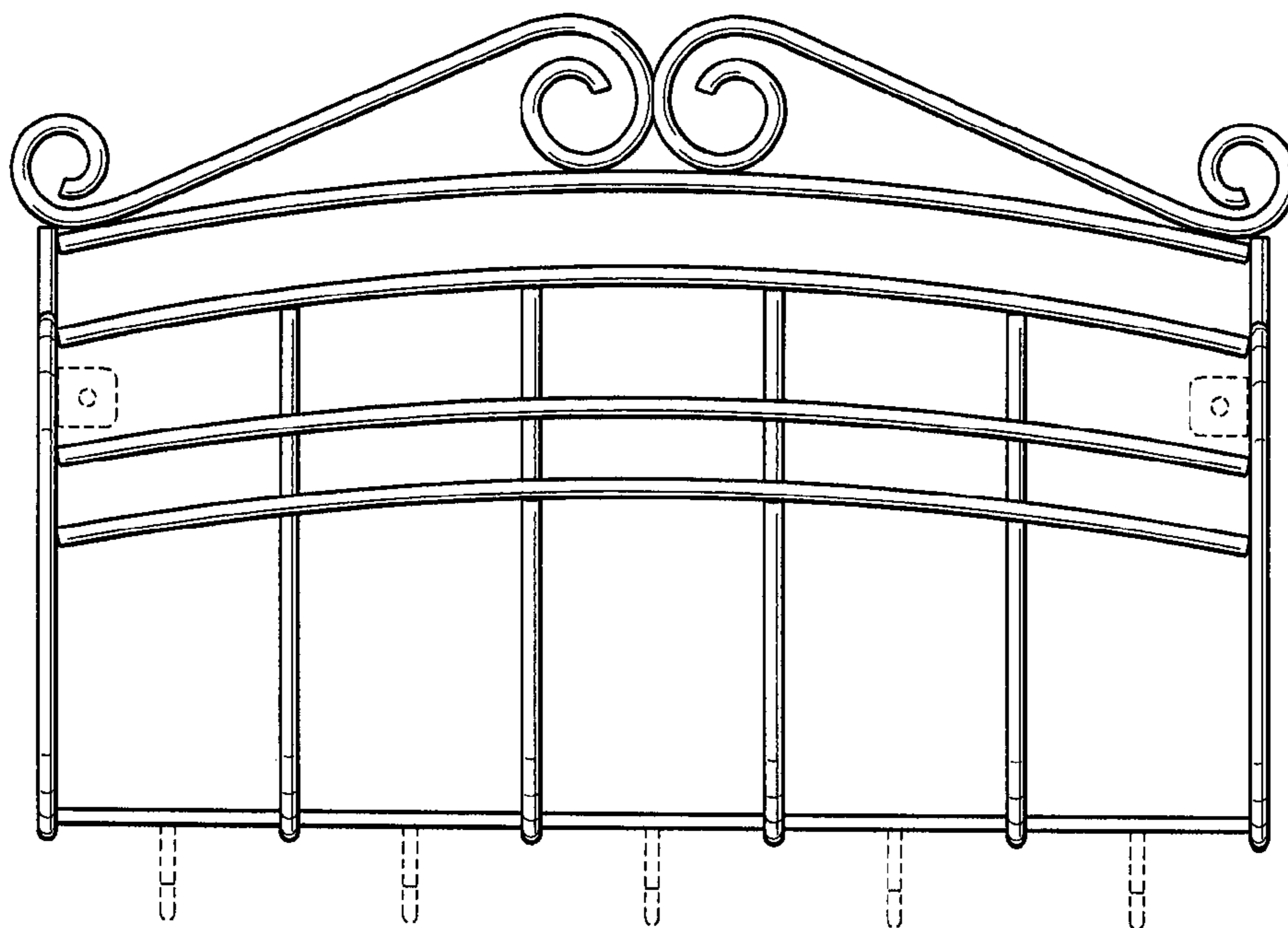


FIG. 2

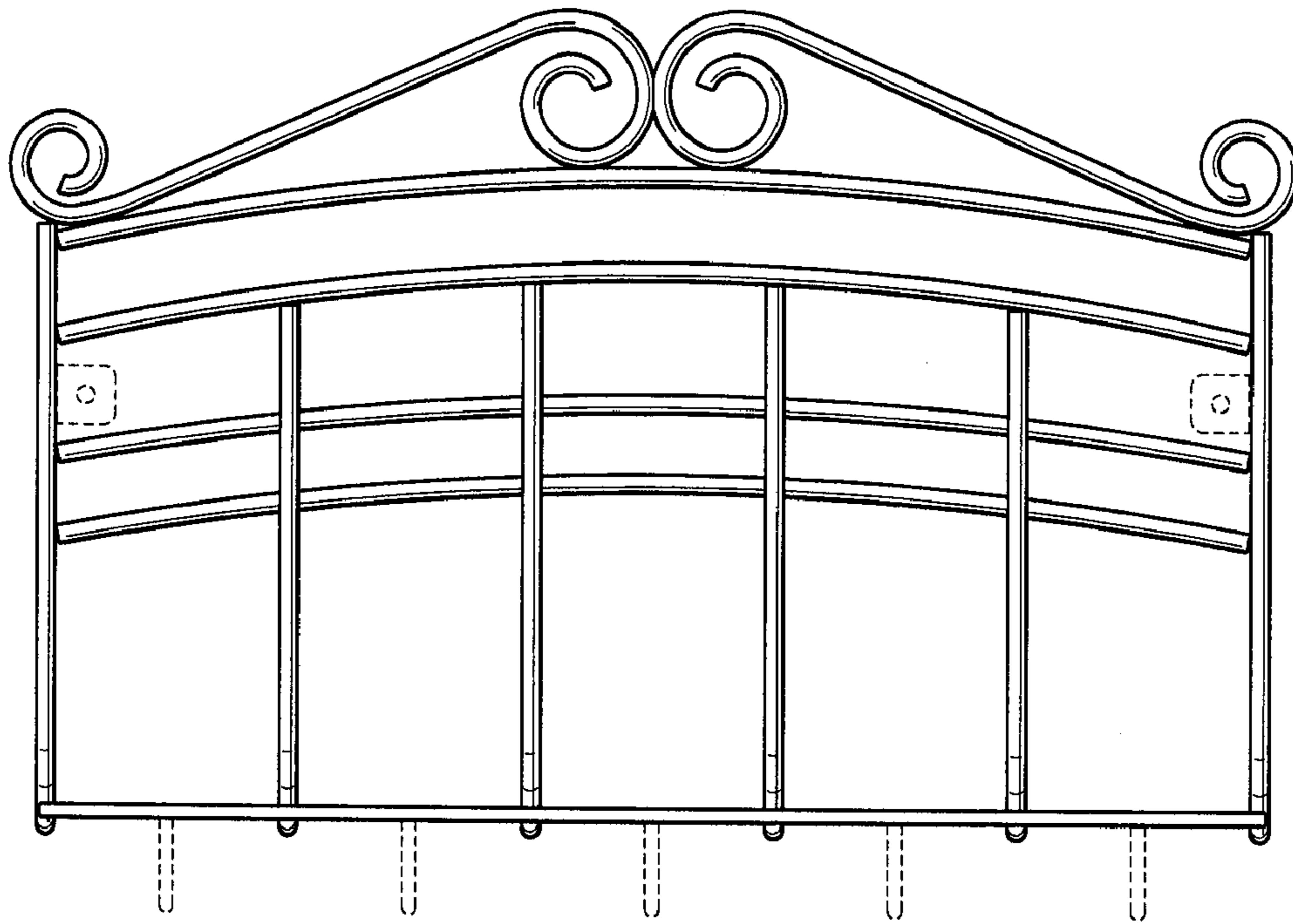


FIG. 3

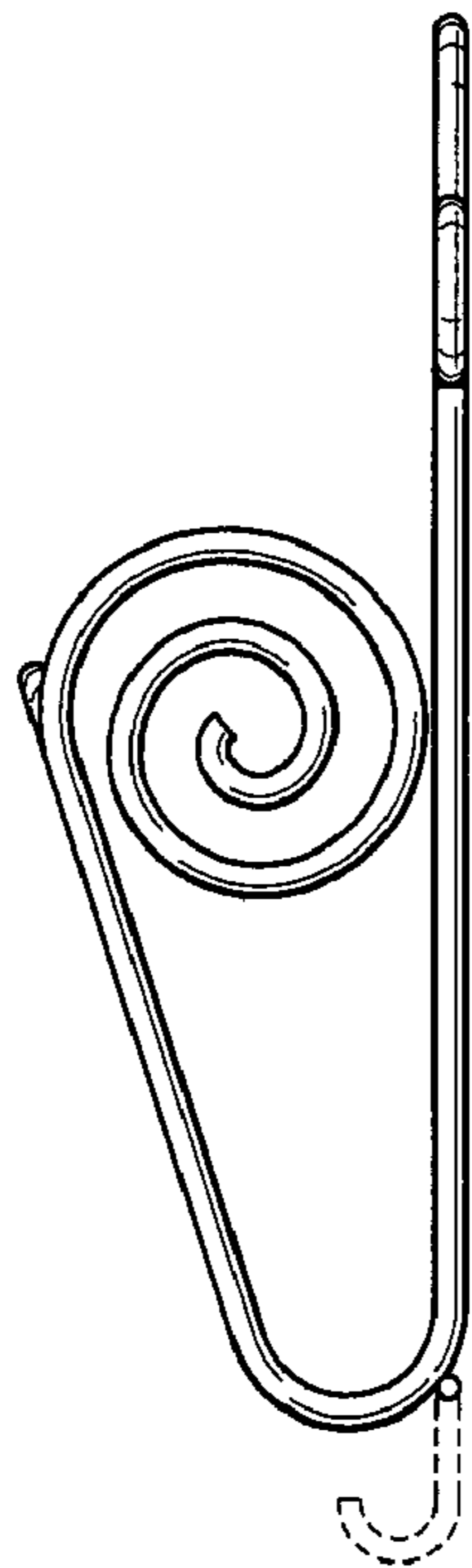


FIG. 4

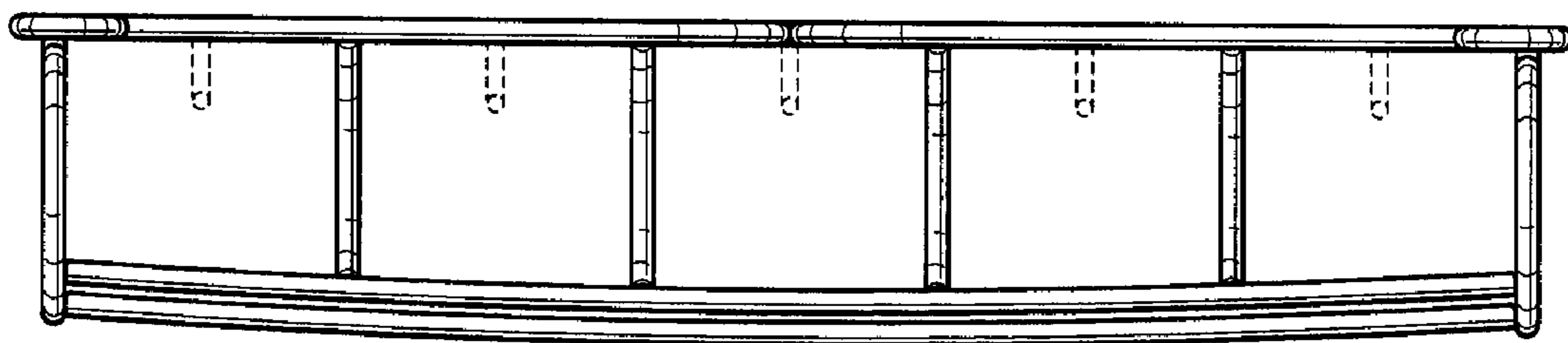


FIG. 5

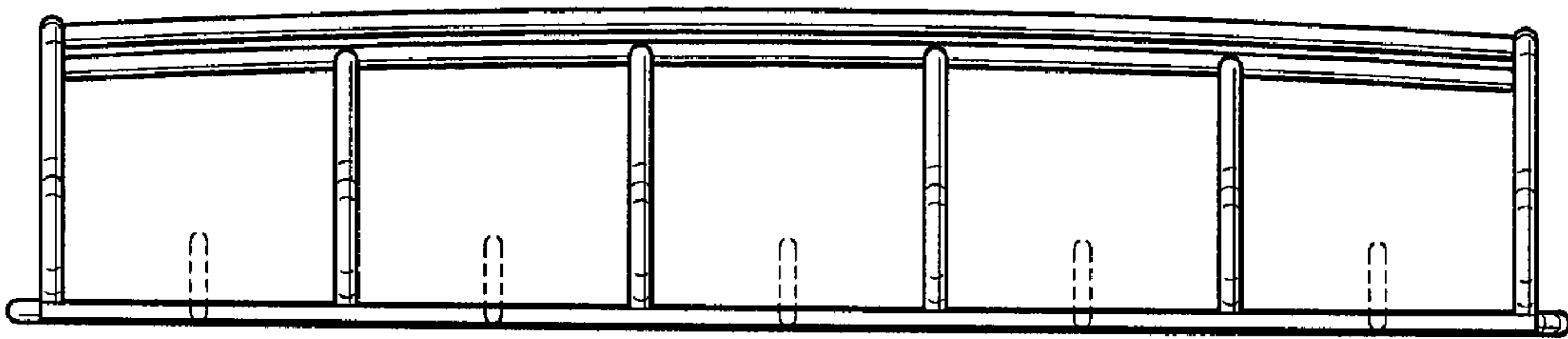


FIG. 6