



US00D584083S

(12) **United States Design Patent**
Nielsen

(10) **Patent No.:** **US D584,083 S**

(45) **Date of Patent:** **** Jan. 6, 2009**

(54) **UNIVERSAL MULTIMEDIA TRAY**

D549,457 S * 8/2007 Dretzka D3/304
D563,673 S * 3/2008 Dretzka D3/304

(75) Inventor: **Britta Claire Nielsen**, Bellevue, WA
(US)

* cited by examiner

(73) Assignee: **Slam Brands, Inc.**, Redmond, WA (US)

Primary Examiner—Elizabeth A Albert
Assistant Examiner—Kelley A Donnelly

(**) Term: **14 Years**

(74) *Attorney, Agent, or Firm*—Amin, Turocy & Calvin, LLP;
Thomas E. Watson

(21) Appl. No.: **29/303,477**

(57) **CLAIM**

(22) Filed: **Feb. 9, 2008**

An ornamental design for a universal multimedia tray, as shown and described.

(51) **LOC (9) Cl.** **06-04**

(52) **U.S. Cl.** **D6/510**

(58) **Field of Classification Search** D6/510;
206/373, 562, 563, 214, 371; D19/65, 75,
D19/77-78, 81, 83, 86, 91-92, 95, 99, 100;
211/69.1, 69.9, 10-11, 13.1, 45, 50
See application file for complete search history.

DESCRIPTION

FIG. 1 is a perspective view of a universal multimedia tray;
FIG. 2 is a top plan view thereof;
FIG. 3 is a bottom plan view thereof;
FIG. 4 is a right side view thereof;
FIG. 5 is a left side view thereof;
FIG. 6 is a front view thereof; and,
FIG. 7 is a rear view thereof.

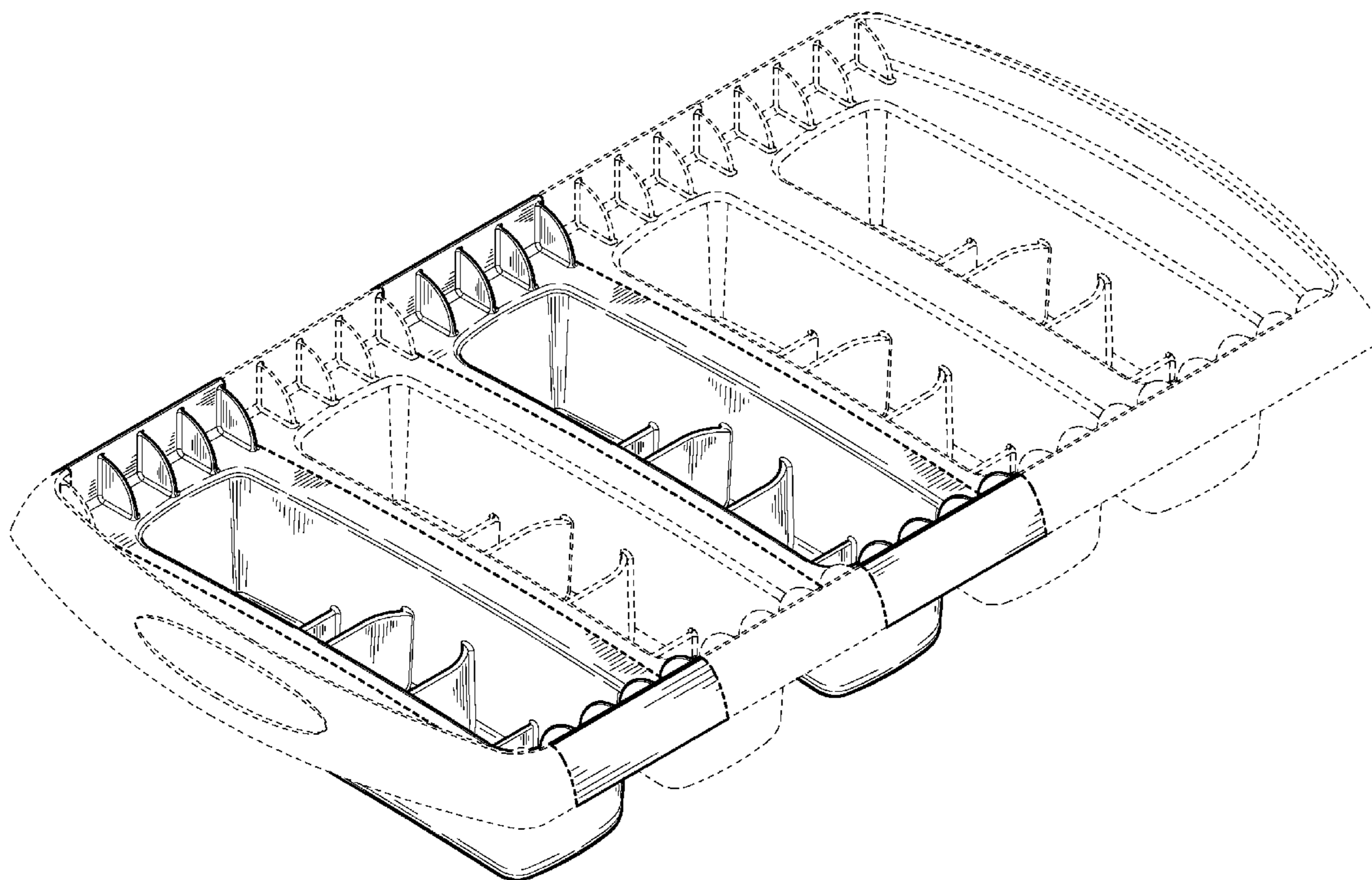
(56) **References Cited**

U.S. PATENT DOCUMENTS

D422,141 S * 4/2000 Dembicks D3/313
D446,063 S * 8/2001 Quinn D6/510
D490,259 S * 5/2004 Schumann et al. D6/510
D545,500 S * 6/2007 McCambridge D28/74
D547,973 S * 8/2007 Brown et al. D6/476

The dashed lines in the drawings are shown for environmental purposes and form no part of the claimed design.

1 Claim, 5 Drawing Sheets



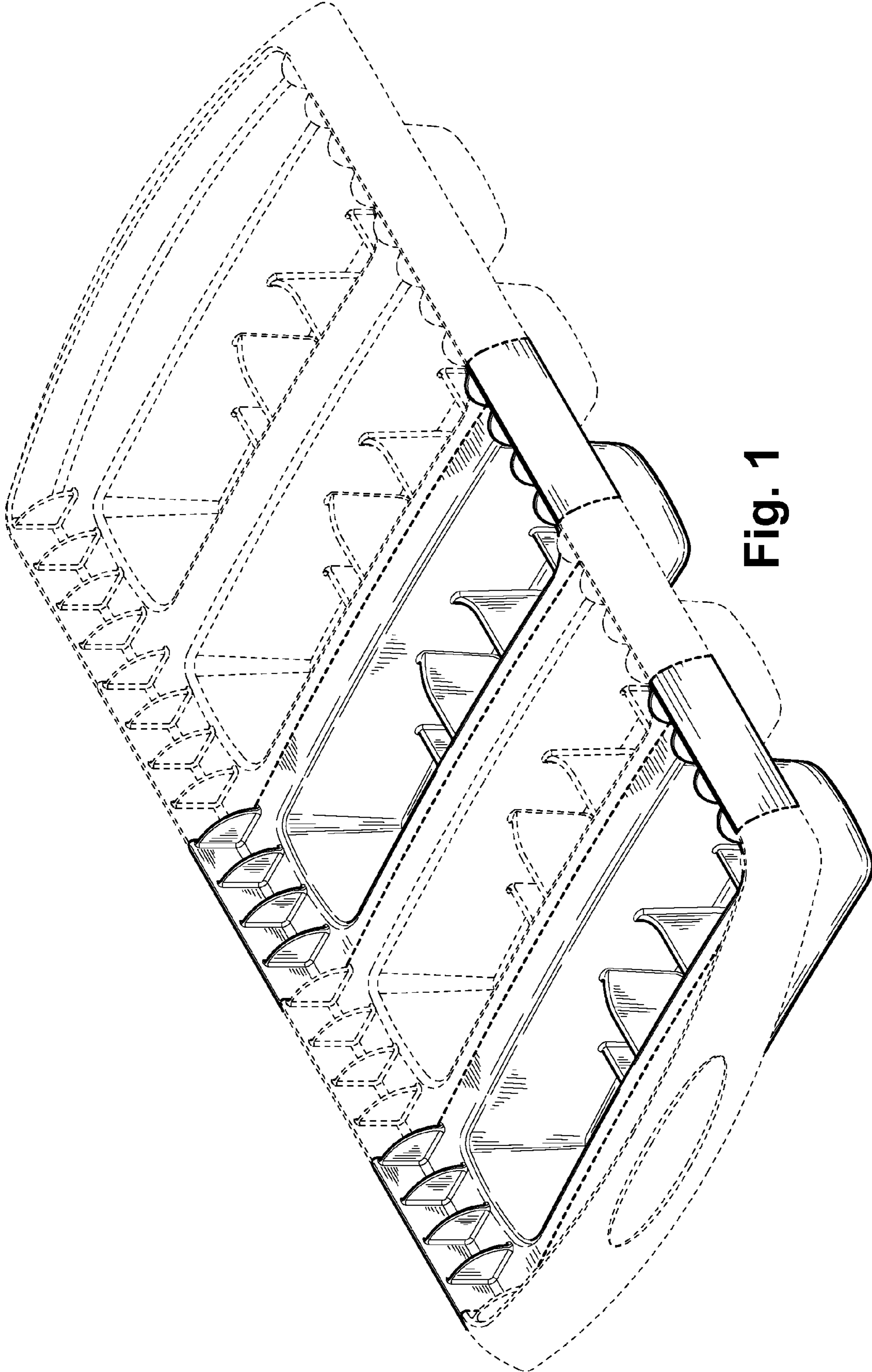


Fig. 1

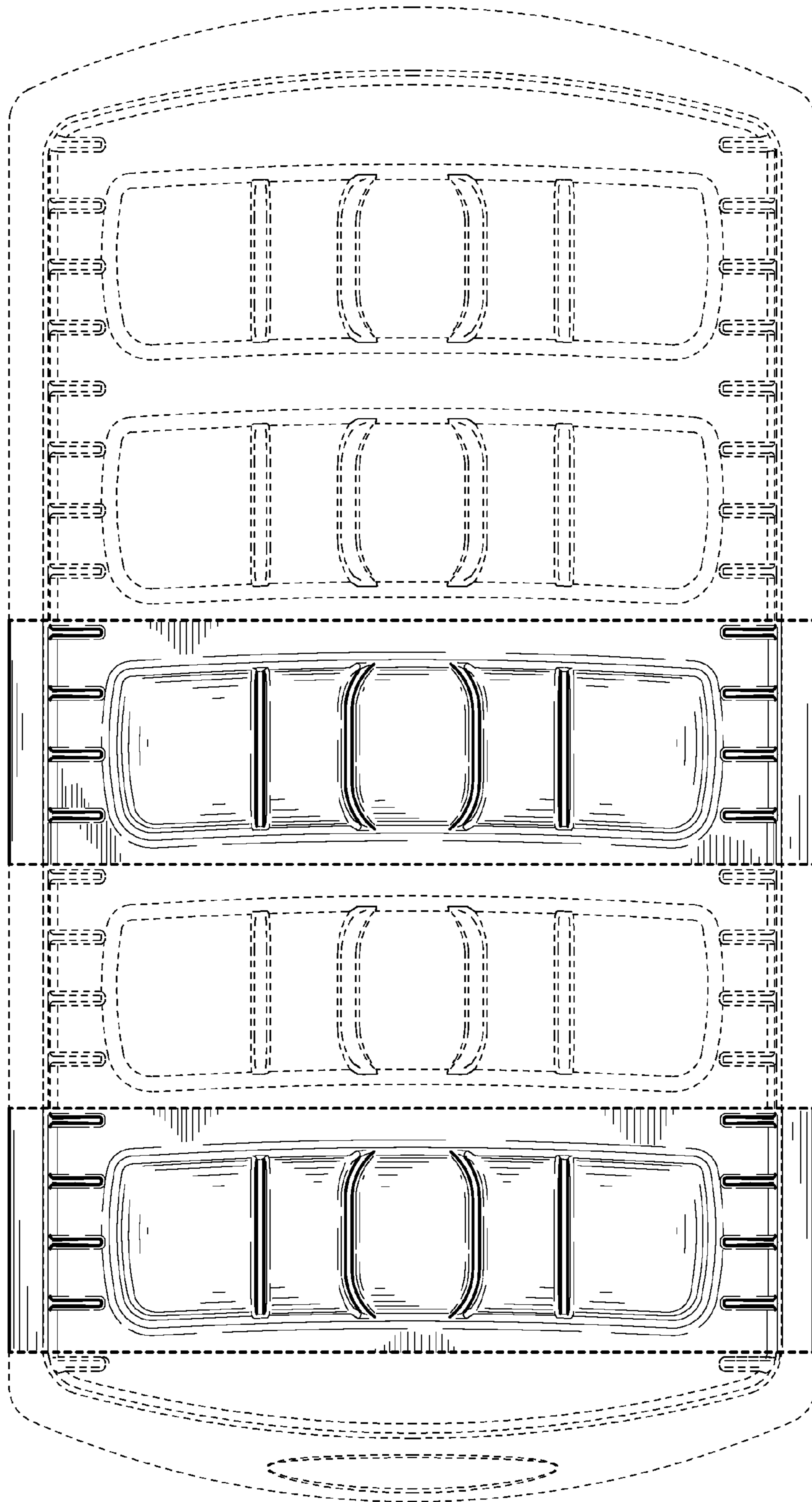


Fig. 2

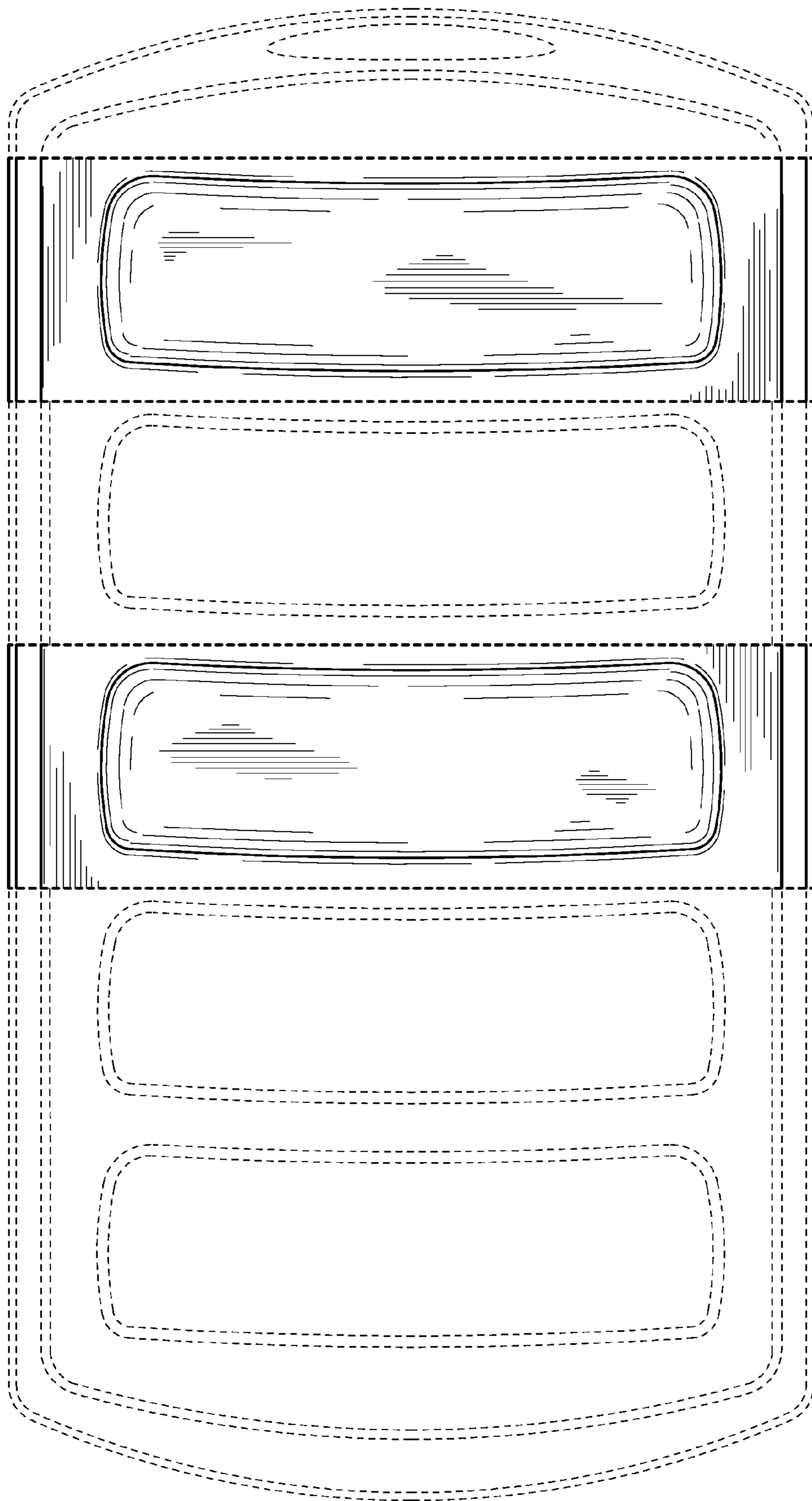


Fig. 3

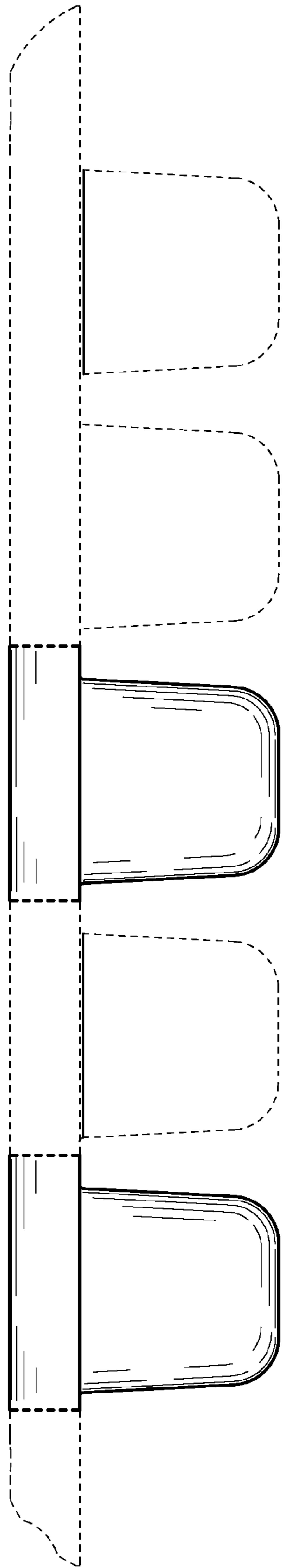


Fig. 4

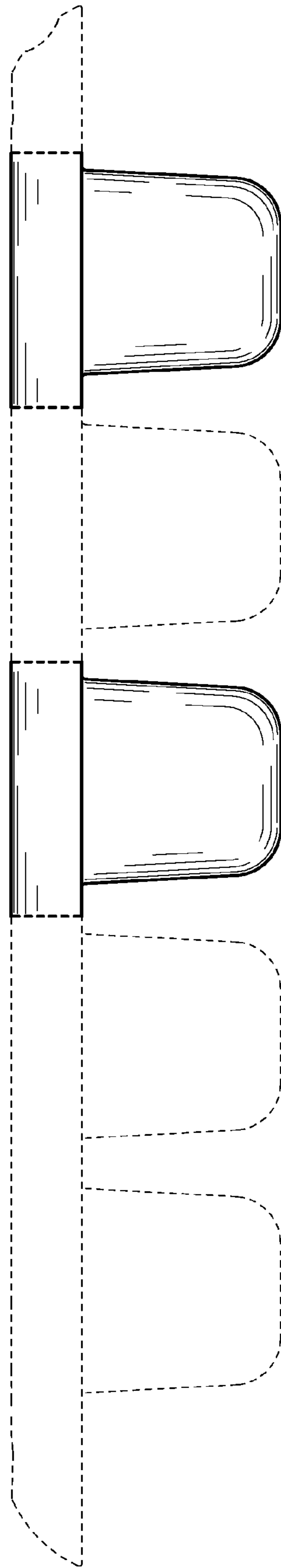


Fig. 5

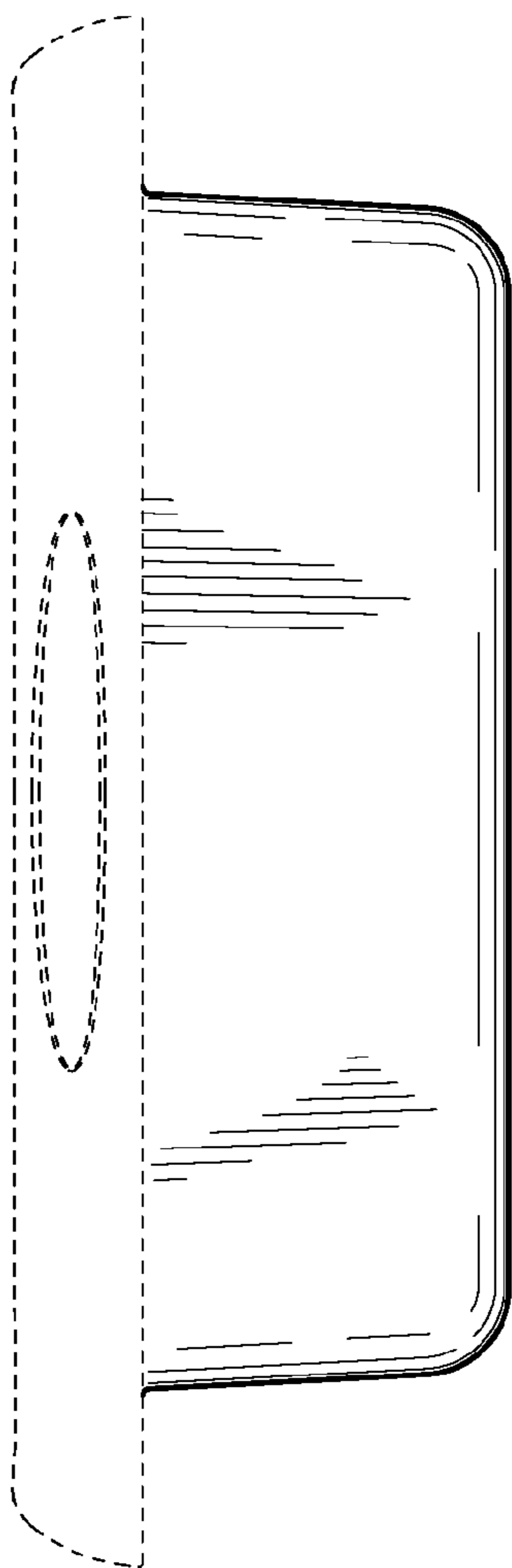


Fig. 6

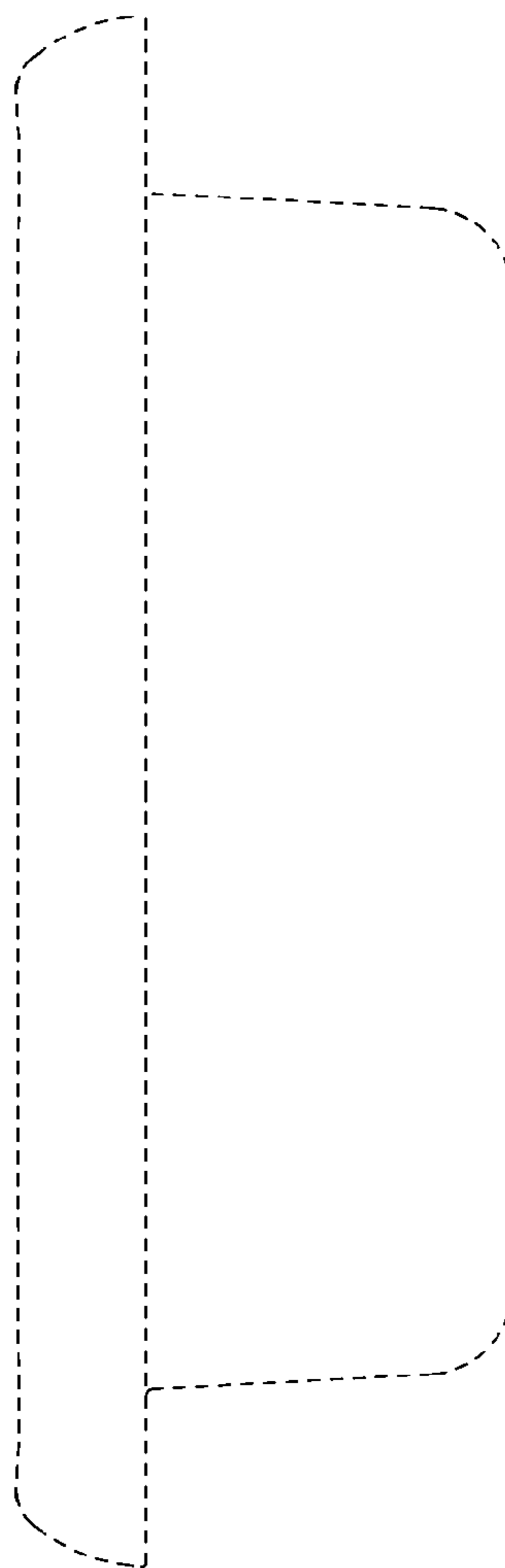


Fig. 7